

GLZJ2.0 SERIES

SURFACE MOUNT ZENER DIODES

VOLTAGE 2 to 56 Volt **POWER** 500 mWatt

MINI-MELF / LL34 Unit : inch(mm)

FEATURES

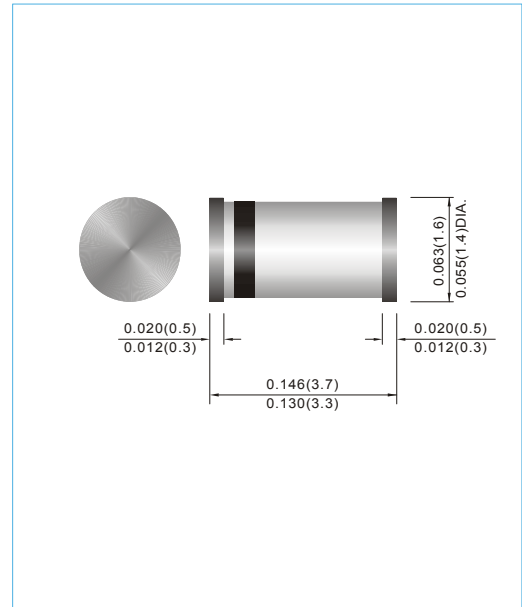
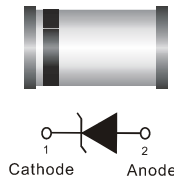
- Planar Die construction
- 500mW Power Dissipation
- Ideally Suited for Automated Assembly Processes
- Lead free in compliance with EU RoHS 2011/65/EU directive

MECHANICAL DATA

- Case: Molded Glass MINI-MELF
- Terminals: Solderable per MIL-STD-750, Method 2026
- Approx. Weight: 0.03 grams.
- Mounting Position: Any
- Polarity : Color band denotes cathode end
- Packing information

T/R - 2.5K per 7" plastic Reel

T/R - 10K per 13" plastic Reel



MAXIMUM RATINGS AND ELECTRICAL CHARACTERISTICS

| Parameter | Symbol | Value | Units |
|--|------------------|--------------|-------|
| Power Dissipation at T _A = 25°C | P _{TOT} | 500 | mW |
| Junction Temperature Range | T _J | 175 | °C |
| Storage Temperature Range | T _{STG} | -65 to + 175 | °C |

Valid provided that leads at a distance of 10mm from case are kept at ambient temperature.

| Parameter | Symbol | Min. | Typ. | Max. | Units |
|--|------------------|------|------|------|-------|
| Thermal Resistance Junction to Ambient Air | R _{θJA} | -- | -- | 0.3 | °C/mW |
| Forward Voltage at I _F = 100mA | V _F | -- | -- | 1 | V |

Valid provided that leads at a distance of 10mm from case are kept at ambient temperature.

GLZJ2.0 SERIES

| Part Number | Nominal Zener Voltage | | | Max. Zener Impedance | | | | Max Reverse Leakage Current | | Marking Code |
|---------------------|----------------------------------|--------|--------|-----------------------------------|----|-----------------------------------|-----|---------------------------------|-----|--------------|
| | V _Z @ I _{ZT} | | | Z _{ZT} @ I _{ZT} | | Z _{ZK} @ I _{ZK} | | I _R @ V _R | | |
| | Nom. V | Min. V | Max. V | Ω | mA | Ω | mA | μA | V | |
| 500 mW Zener Diodes | | | | | | | | | | |
| GLZJ 2.0A | 2 | 1.88 | 2.1 | 100 | 5 | 1000 | 0.5 | 120 | 0.5 | Z2A0 |
| GLZJ 2.0B | 2 | 2.02 | 2.2 | 100 | 5 | 1000 | 0.5 | 120 | 0.5 | Z2B0 |
| GLZJ 2.2A | 2.2 | 2.12 | 2.3 | 100 | 5 | 1000 | 0.5 | 100 | 0.7 | Z2A2 |
| GLZJ 2.2B | 2.2 | 2.22 | 2.41 | 100 | 5 | 1000 | 0.5 | 100 | 0.7 | Z2B2 |
| GLZJ 2.4A | 2.4 | 2.33 | 2.52 | 100 | 5 | 1000 | 0.5 | 120 | 1 | Z2A4 |
| GLZJ 2.4B | 2.4 | 2.43 | 2.63 | 100 | 5 | 1000 | 0.5 | 120 | 1 | Z2B4 |
| GLZJ 2.7A | 2.7 | 2.54 | 2.75 | 110 | 5 | 1000 | 0.5 | 100 | 1 | Z2A7 |
| GLZJ 2.7B | 2.7 | 2.69 | 2.91 | 110 | 5 | 1000 | 0.5 | 100 | 1 | Z2B7 |
| GLZJ 3.0A | 3 | 2.85 | 3.07 | 120 | 5 | 1000 | 0.5 | 50 | 1 | Z3A0 |
| GLZJ 3.0B | 3 | 3.01 | 3.22 | 120 | 5 | 1000 | 0.5 | 50 | 1 | Z3B0 |
| GLZJ 3.3A | 3.3 | 3.16 | 3.38 | 120 | 5 | 1000 | 0.5 | 20 | 1 | Z3A3 |
| GLZJ 3.3B | 3.3 | 3.32 | 3.53 | 120 | 5 | 1000 | 0.5 | 20 | 1 | Z3B3 |
| GLZJ 3.6A | 3.6 | 3.46 | 3.69 | 100 | 5 | 1000 | 1 | 10 | 1 | Z3A6 |
| GLZJ 3.6B | 3.6 | 3.6 | 3.84 | 100 | 5 | 1000 | 1 | 10 | 1 | Z3B6 |
| GLZJ 3.9A | 3.9 | 3.74 | 4.01 | 100 | 5 | 1000 | 1 | 5 | 1 | Z3A9 |
| GLZJ 3.9B | 3.9 | 3.89 | 4.16 | 100 | 5 | 1000 | 1 | 5 | 1 | Z3B9 |
| GLZJ 4.3A | 4.3 | 4.04 | 4.29 | 100 | 5 | 1000 | 1 | 5 | 1 | Z4A3 |
| GLZJ 4.3B | 4.3 | 4.17 | 4.43 | 100 | 5 | 1000 | 1 | 5 | 1 | Z4B3 |
| GLZJ 4.3C | 4.3 | 4.3 | 4.57 | 100 | 5 | 1000 | 1 | 5 | 1 | Z4C3 |
| GLZJ 4.7A | 4.7 | 4.44 | 4.68 | 90 | 5 | 900 | 1 | 5 | 1 | Z4A7 |
| GLZJ 4.7B | 4.7 | 4.55 | 4.8 | 90 | 5 | 900 | 1 | 5 | 1 | Z4B7 |
| GLZJ 4.7C | 4.7 | 4.68 | 4.93 | 90 | 5 | 900 | 1 | 5 | 1 | Z4C7 |
| GLZJ 5.1A | 5.1 | 4.81 | 5.07 | 80 | 5 | 800 | 1 | 5 | 1.5 | Z5A1 |
| GLZJ 5.1B | 5.1 | 4.94 | 5.2 | 80 | 5 | 800 | 1 | 5 | 1.5 | Z5B1 |
| GLZJ 5.1C | 5.1 | 5.09 | 5.37 | 80 | 5 | 800 | 1 | 5 | 1.5 | Z5C1 |
| GLZJ 5.6A | 5.6 | 5.28 | 5.55 | 60 | 5 | 500 | 1 | 5 | 2.5 | Z5A6 |
| GLZJ 5.6B | 5.6 | 5.45 | 5.73 | 60 | 5 | 500 | 1 | 5 | 2.5 | Z5B6 |
| GLZJ 5.6C | 5.6 | 5.61 | 5.91 | 60 | 5 | 500 | 1 | 5 | 2.5 | Z5C6 |
| GLZJ 6.2A | 6.2 | 5.78 | 6.09 | 60 | 5 | 300 | 1 | 5 | 3 | Z6A2 |
| GLZJ 6.2B | 6.2 | 5.96 | 6.27 | 60 | 5 | 300 | 1 | 5 | 3 | Z6B2 |
| GLZJ 6.2C | 6.2 | 6.12 | 6.44 | 60 | 5 | 300 | 1 | 5 | 3 | Z6C2 |
| GLZJ 6.8A | 6.8 | 6.29 | 6.63 | 20 | 5 | 150 | 0.5 | 2 | 3.5 | Z6A8 |
| GLZJ 6.8B | 6.8 | 6.49 | 6.83 | 20 | 5 | 150 | 0.5 | 2 | 3.5 | Z6B8 |
| GLZJ 6.8C | 6.8 | 6.66 | 7.01 | 20 | 5 | 150 | 0.5 | 2 | 3.5 | Z6C8 |
| GLZJ 7.5A | 7.5 | 6.85 | 7.22 | 20 | 5 | 120 | 0.5 | 0.5 | 4 | Z7A5 |
| GLZJ 7.5B | 7.5 | 7.07 | 7.45 | 20 | 5 | 120 | 0.5 | 0.5 | 4 | Z7B5 |
| GLZJ 7.5C | 7.5 | 7.29 | 7.67 | 20 | 5 | 120 | 0.5 | 0.5 | 4 | Z7C5 |
| GLZJ 8.2A | 8.2 | 7.53 | 7.92 | 20 | 5 | 120 | 0.5 | 0.5 | 5 | Z8A2 |
| GLZJ 8.2B | 8.2 | 7.78 | 8.19 | 20 | 5 | 120 | 0.5 | 0.5 | 5 | Z8B2 |
| GLZJ 8.2C | 8.2 | 8.03 | 8.45 | 20 | 5 | 120 | 0.5 | 0.5 | 5 | Z8C2 |
| GLZJ 9.1A | 9.1 | 8.29 | 8.73 | 25 | 5 | 120 | 0.5 | 0.5 | 6 | Z9A1 |
| GLZJ 9.1B | 9.1 | 8.57 | 9.01 | 25 | 5 | 120 | 0.5 | 0.5 | 6 | Z9B1 |
| GLZJ 9.1C | 9.1 | 8.83 | 9.3 | 25 | 5 | 120 | 0.5 | 0.5 | 6 | Z9C1 |
| GLZJ 10A | 10 | 9.12 | 9.59 | 30 | 5 | 120 | 0.5 | 0.2 | 7 | Z10A |
| GLZJ 10B | 10 | 9.41 | 9.9 | 30 | 5 | 120 | 0.5 | 0.2 | 7 | Z10B |
| GLZJ 10C | 10 | 9.7 | 10.2 | 30 | 5 | 120 | 0.5 | 0.2 | 7 | Z10C |
| GLZJ 10D | 10 | 9.94 | 10.44 | 30 | 5 | 120 | 0.5 | 0.2 | 7 | Z10D |
| GLZJ 11A | 11 | 10.18 | 10.71 | 30 | 5 | 120 | 0.5 | 0.2 | 8 | Z11A |
| GLZJ 11B | 11 | 10.5 | 11.05 | 30 | 5 | 120 | 0.5 | 0.2 | 8 | Z11B |
| GLZJ 11C | 11 | 10.82 | 11.38 | 30 | 5 | 120 | 0.5 | 0.2 | 8 | Z11C |

GLZJ2.0 SERIES

| Part Number | Nominal Zener Voltage | | | Max. Zener Impedance | | | | Max Reverse Leakage Current | | Marking Code |
|---------------------|----------------------------------|--------|--------|-----------------------------------|----|-----------------------------------|-----|---------------------------------|----|--------------|
| | V _Z @ I _{ZT} | | | Z _{ZT} @ I _{ZT} | | Z _{ZK} @ I _{ZK} | | I _R @ V _R | | |
| | Nom. V | Min. V | Max. V | Ω | mA | Ω | mA | μA | V | |
| 500 mW Zener Diodes | | | | | | | | | | |
| GLZJ 12A | 12 | 11.13 | 11.71 | 30 | 5 | 110 | 0.5 | 0.2 | 9 | Z12A |
| GLZJ 12B | 12 | 11.44 | 12.03 | 30 | 5 | 110 | 0.5 | 0.2 | 9 | Z12B |
| GLZJ 12C | 12 | 11.74 | 12.35 | 30 | 5 | 110 | 0.5 | 0.2 | 9 | Z12C |
| GLZJ 13A | 13 | 12.11 | 12.75 | 35 | 5 | 110 | 0.5 | 0.2 | 10 | Z13A |
| GLZJ 13B | 13 | 12.55 | 13.21 | 35 | 5 | 110 | 0.5 | 0.2 | 10 | Z13B |
| GLZJ 13C | 13 | 12.99 | 13.66 | 35 | 5 | 110 | 0.5 | 0.2 | 10 | Z13C |
| GLZJ 15A | 15 | 13.44 | 14.13 | 40 | 5 | 110 | 0.5 | 0.2 | 11 | Z15A |
| GLZJ 15B | 15 | 13.89 | 14.62 | 40 | 5 | 110 | 0.5 | 0.2 | 11 | Z15B |
| GLZJ 15C | 15 | 14.35 | 15.09 | 40 | 5 | 110 | 0.5 | 0.2 | 11 | Z15C |
| GLZJ 16A | 16 | 14.8 | 15.57 | 40 | 5 | 150 | 0.5 | 0.2 | 12 | Z16A |
| GLZJ 16B | 16 | 15.25 | 16.04 | 40 | 5 | 150 | 0.5 | 0.2 | 12 | Z16B |
| GLZJ 16C | 16 | 15.69 | 16.51 | 40 | 5 | 150 | 0.5 | 0.2 | 12 | Z16C |
| GLZJ 18A | 18 | 16.22 | 17.06 | 45 | 5 | 150 | 0.5 | 0.2 | 13 | Z18A |
| GLZJ 18B | 18 | 16.82 | 17.7 | 45 | 5 | 150 | 0.5 | 0.2 | 13 | Z18B |
| GLZJ 18C | 18 | 17.42 | 18.33 | 45 | 5 | 150 | 0.5 | 0.2 | 13 | Z18C |
| GLZJ 20A | 20 | 18.02 | 18.96 | 55 | 5 | 200 | 0.5 | 0.2 | 15 | Z20A |
| GLZJ 20B | 20 | 18.63 | 19.59 | 55 | 5 | 200 | 0.5 | 0.2 | 15 | Z20B |
| GLZJ 20C | 20 | 19.23 | 20.22 | 55 | 5 | 200 | 0.5 | 0.2 | 15 | Z20C |
| GLZJ 20D | 20 | 19.72 | 20.72 | 55 | 5 | 200 | 0.5 | 0.2 | 15 | Z20D |
| GLZJ 22A | 22 | 20.15 | 21.2 | 30 | 5 | 200 | 0.5 | 0.2 | 17 | Z22A |
| GLZJ 22B | 22 | 20.64 | 21.71 | 30 | 5 | 200 | 0.5 | 0.2 | 17 | Z22B |
| GLZJ 22C | 22 | 21.08 | 22.17 | 30 | 5 | 200 | 0.5 | 0.2 | 17 | Z22C |
| GLZJ 22D | 22 | 21.52 | 22.63 | 30 | 5 | 200 | 0.5 | 0.2 | 17 | Z22D |
| GLZJ 24A | 24 | 22.05 | 23.18 | 35 | 5 | 200 | 0.5 | 0.2 | 19 | Z24A |
| GLZJ 24B | 24 | 22.61 | 23.77 | 35 | 5 | 200 | 0.5 | 0.2 | 19 | Z24B |
| GLZJ 24C | 24 | 23.12 | 24.31 | 35 | 5 | 200 | 0.5 | 0.2 | 19 | Z24C |
| GLZJ 24D | 24 | 23.63 | 24.85 | 35 | 5 | 200 | 0.5 | 0.2 | 19 | Z24D |
| GLZJ 27A | 27 | 24.26 | 25.52 | 45 | 5 | 250 | 0.5 | 0.2 | 21 | Z27A |
| GLZJ 27B | 27 | 24.97 | 26.26 | 45 | 5 | 250 | 0.5 | 0.2 | 21 | Z27B |
| GLZJ 27C | 27 | 25.63 | 26.95 | 45 | 5 | 250 | 0.5 | 0.2 | 21 | Z27C |
| GLZJ 27D | 27 | 26.29 | 27.64 | 45 | 5 | 250 | 0.5 | 0.2 | 21 | Z27D |
| GLZJ 30A | 30 | 26.99 | 28.39 | 55 | 5 | 250 | 0.5 | 0.2 | 23 | Z30A |
| GLZJ 30B | 30 | 27.7 | 29.13 | 55 | 5 | 250 | 0.5 | 0.2 | 23 | Z30B |
| GLZJ 30C | 30 | 28.36 | 29.82 | 55 | 5 | 250 | 0.5 | 0.2 | 23 | Z30C |
| GLZJ 30D | 30 | 29.02 | 30.51 | 55 | 5 | 250 | 0.5 | 0.2 | 23 | Z30D |
| GLZJ 33A | 33 | 29.68 | 31.22 | 65 | 5 | 250 | 0.5 | 0.2 | 25 | Z33A |
| GLZJ 33B | 33 | 30.32 | 31.88 | 65 | 5 | 250 | 0.5 | 0.2 | 25 | Z33B |
| GLZJ 33C | 33 | 30.9 | 32.5 | 65 | 5 | 250 | 0.5 | 0.2 | 25 | Z33C |
| GLZJ 33D | 33 | 31.49 | 33.11 | 65 | 5 | 250 | 0.5 | 0.2 | 25 | Z33D |
| GLZJ 36A | 36 | 32.14 | 33.79 | 75 | 5 | 250 | 0.5 | 0.2 | 27 | Z36A |
| GLZJ 36B | 36 | 32.79 | 34.49 | 75 | 5 | 250 | 0.5 | 0.2 | 27 | Z36B |
| GLZJ 36C | 36 | 33.4 | 35.13 | 75 | 5 | 250 | 0.5 | 0.2 | 27 | Z36C |
| GLZJ 36D | 36 | 34.01 | 35.77 | 75 | 5 | 250 | 0.5 | 0.2 | 27 | Z36D |
| GLZJ 39A | 39 | 34.68 | 36.47 | 85 | 5 | 250 | 0.5 | 0.2 | 30 | Z39A |
| GLZJ 39B | 39 | 35.36 | 37.19 | 85 | 5 | 250 | 0.5 | 0.2 | 30 | Z39B |
| GLZJ 39C | 39 | 36 | 37.85 | 85 | 5 | 250 | 0.5 | 0.2 | 30 | Z39C |
| GLZJ 39D | 39 | 36.63 | 38.52 | 85 | 5 | 250 | 0.5 | 0.2 | 30 | Z39D |
| GLZJ 43 | 43 | 40 | 45 | 90 | 5 | - | - | 0.2 | 33 | Z43 |
| GLZJ 47 | 47 | 44 | 49 | 90 | 5 | - | - | 0.2 | 36 | Z47 |
| GLZJ 51 | 51 | 48 | 54 | 110 | 5 | - | - | 0.2 | 39 | Z51 |
| GLZJ 56 | 56 | 53 | 60 | 110 | 5 | - | - | 0.2 | 43 | Z56 |

GLZJ2.0 SERIES

RATING AND CHARACTERISTIC CURVES

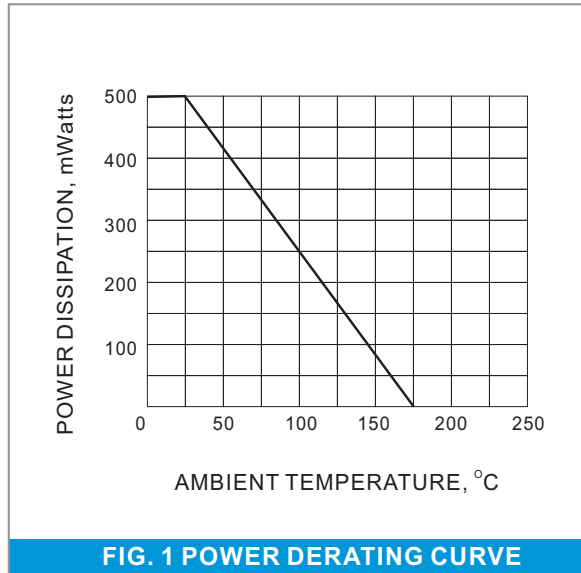


FIG. 1 POWER DERATING CURVE

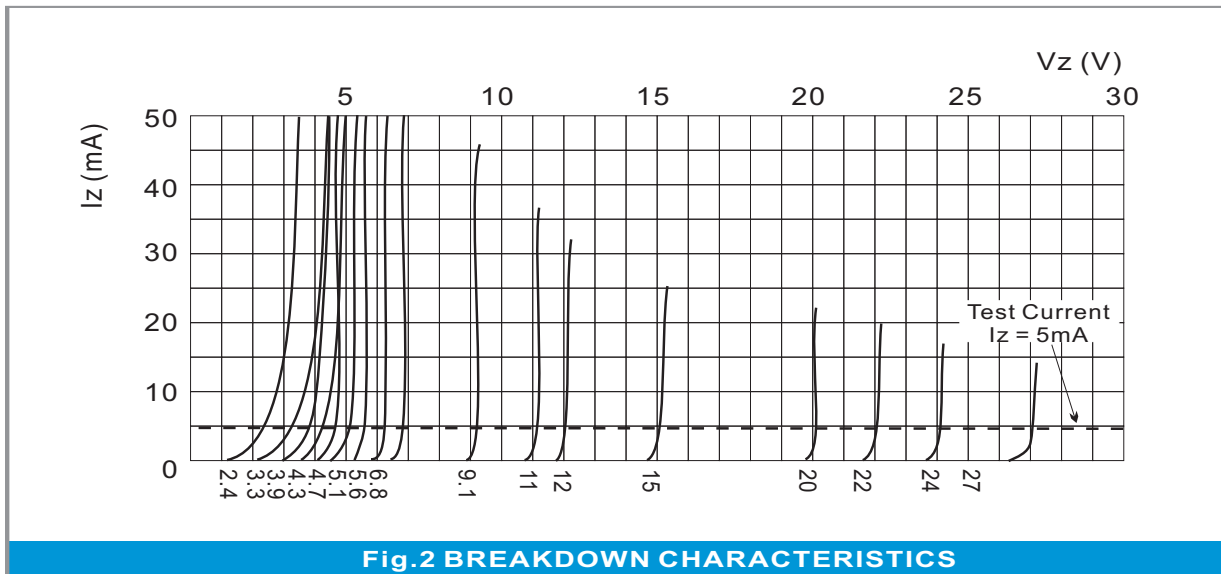
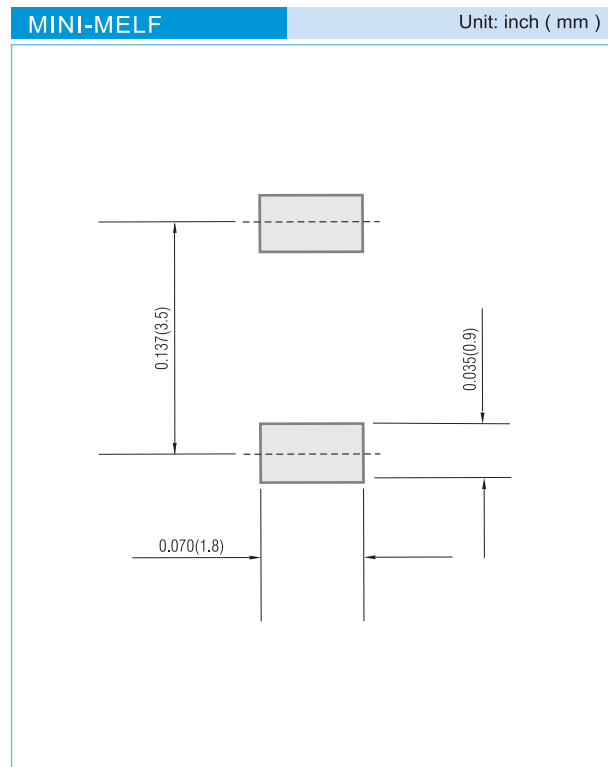


Fig.2 BREAKDOWN CHARACTERISTICS

GLZJ2.0 SERIES

MOUNTING PAD LAYOUT



ORDER INFORMATION

- Packing information
 - T/R - 10K per 13" plastic Reel
 - T/R - 2.5K per 7" plastic Reel

GLZJ2.0 SERIES

Part No_packing code_Version

GLZJ2.0_R1_10001

GLZJ2.0_R2_10001

For example :

RB500V-40_R2_00001



| Packing Code XX | | | | Version Code XXXXX | | |
|--------------------------------------|----------------------|----------------------------------|----------------------|---------------------------|----------------------|---------------------------------------|
| Packing type | 1 st Code | Packing size code | 2 nd Code | HF or RoHS | 1 st Code | 2 nd ~5 th Code |
| Tape and Ammunition Box (T/B) | A | N/A | 0 | HF | 0 | serial number |
| Tape and Reel (T/R) | R | 7" | 1 | RoHS | 1 | serial number |
| Bulk Packing (B/P) | B | 13" | 2 | | | |
| Tube Packing (T/P) | T | 26mm | X | | | |
| Tape and Reel (Right Oriented) (TRR) | S | 52mm | Y | | | |
| Tape and Reel (Left Oriented) (TRL) | L | PANASERT T/B CATHODE UP (PBCU) | U | | | |
| FORMING | F | PANASERT T/B CATHODE DOWN (PBCD) | D | | | |

GLZJ2.0 SERIES

Disclaimer

- Reproducing and modifying information of the document is prohibited without permission from Panjit International Inc..
- Panjit International Inc. reserves the rights to make changes of the content herein the document anytime without notification. Please refer to our website for the latest document.
- Panjit International Inc. disclaims any and all liability arising out of the application or use of any product including damages incidentally and consequentially occurred.
- Panjit International Inc. does not assume any and all implied warranties, including warranties of fitness for particular purpose, non-infringement and merchantability.
- Applications shown on the herein document are examples of standard use and operation. Customers are responsible in comprehending the suitable use in particular applications. Panjit International Inc. makes no representation or warranty that such applications will be suitable for the specified use without further testing or modification.
- The products shown herein are not designed and authorized for equipments requiring high level of reliability or relating to human life and for any applications concerning life-saving or life-sustaining, such as medical instruments, transportation equipment, aerospace machinery et cetera. Customers using or selling these products for use in such applications do so at their own risk and agree to fully indemnify Panjit International Inc. for any damages resulting from such improper use or sale.
- Since Panjit uses lot number as the tracking base, please provide the lot number for tracking when complaining.

X-ON Electronics

Largest Supplier of Electrical and Electronic Components

Click to view similar products for [Zener Diodes](#) category:

Click to view products by [Panjit](#) manufacturer:

Other Similar products are found below :

[MMSZ5245BS-7-F](#) [RKZ13B2KG#P1](#) [RKZ5.6B2KJ#R1](#) [EDZTE6113B](#) [EDZTE6116B](#) [EDZTE616.8B](#) [1N747A](#) [1N966B](#) [NTE5116A](#)
[NTE5121A](#) [NTE5139A](#) [NTE5147A](#) [NTE5152A](#) [NTE5155A](#) [NTE5156A](#) [NTE5164A](#) [JANS1N4974US](#) [SMAJ4764A-TP](#) [RKZ5.1BKU#P6](#)
[3SMAJ5946B-TP](#) [3SMAJ5950B-TP](#) [3SMBJ5920B-TP](#) [3SMBJ5925B-TP](#) [TDZTR24](#) [441774C](#) [MMSZ4678-TP](#) [MMSZ5232BQ-13-F](#)
[BZG04-36](#) [BZG05C9V1-HE3-TR](#) [HZM30NBTR-E](#) [UDZTE-175.1B](#) [3SMAJ5945B-TP](#) [3SMAJ5947B-TP](#) [3SMBJ5941B-TP](#) [DL4746A-TP](#)
[RKZ18B2KK#R1](#) [RKZ10B2KL#R1](#) [RKZ6.8B2KL#R1](#) [RKZ8.2B2KL#R1](#) [DZ2S240M0L](#) [SMAZ27-TP](#) [SMBZ5920B-E3/52](#) [ZMM3.0](#)
[RD16UM-T1-A](#) [RD39S-T1-A](#) [RD9.1S-T1-A](#) [RD10S-T1-A](#) [RD20S-T1-A](#) [RD2.2S-T1-A](#) [RD2.7UM-T1-A](#)