

APPROVAL SPECIFICATIONS

Title. IPX6 防水3.5耳机插座

Product Model. PJ-5411-BS1

Customer's Part NO.

Customer's Model:

Customer's Approval Requested.

Please return this copy as a certification of your approval.

Checked by: _____ Date: _____

Approved by: _____ Date: _____

APPROVE	REVIEW	POLT
王凯	林永坚	陈旺

XUNPU ELECTRONICS CO.,LTD

DESCRIPTION
CONTACT: 2u"Au, SOLDER: 1u"Au;NI :80u"Min
CONTACT: 2u"Au, SOLDER: 1u"Au;NI :80u"Min
CONTACT: 2u"Au, SOLDER: 1u"Au;NI :80u"Min
CONTACT: 2u"Au, SOLDER: 1u"Au;NI :80u"Min
CONTACT: 2u"Au, SOLDER: 1u"Au;NI :80u"Min
CONTACT: 2u"Au, SOLDER: 1u"Au;NI :80u"Min
BLACK, UL94-HB
BLACK, UL94-HB
RED
BLACK
BLACK

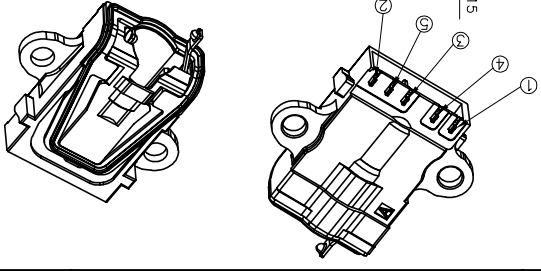
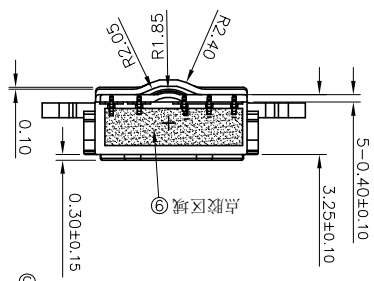
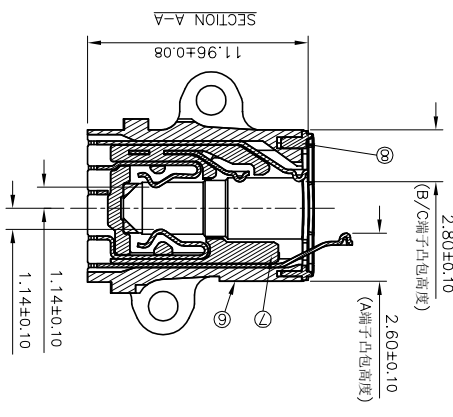
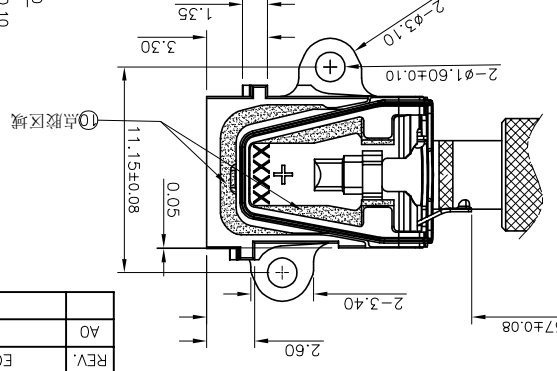
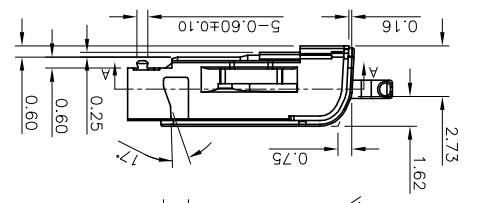
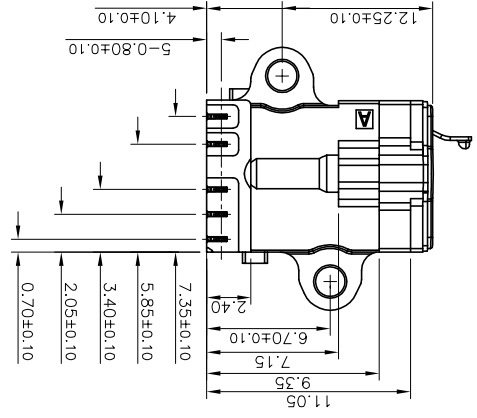
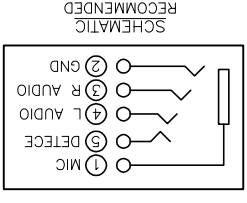
Unless Otherwise Specified, Tolerance:
X: ±0.30
X.x: ±0.20
X.xxx: ±0.15
X.xxx: ±0.10
ANGLES ±3°

DRAWING NO.: PJ-5411-BS1	
REV: A0	SCALE: 3:1
SIZE: A4	SHEET: 1/1
UNIT: mm	
TITLE: PHONE JACK CUSTOMER DRAWING	
DESIGN: DATE:	CHECKED: DATE:
APPROVED: DATE:	
PART NO.: PJ-5411-BS1	
DRAWING NO.:	

東莞市訊普電子科技有限公司

This document is the property of GETWELL development corporation.

- NOTES:
- CONTACT CURRENT RATING:1A;
 - CONTACT RESISTANCE:50mΩ MAX;
 - INSULATION RESISTANCE:100MΩ MIN;
 - DIELECTRIC WITHSTANDING:500V AC MIN;
 - DURABILITY:10,000CYCLES MIN;
 - INSERTION FORCE:2.0kgt (20N) Max;
 - EXTRACTION FORCE:
 - INITIAL:0.7~2.0kgt(7~20N);
 - AFTER DURABILITY: 0.4~2.0kgt(4~20N);



REV.	ECN NO.	LOCATION	DESCRIPTION	DATE	DESIGN
A0	N/A		INITIAL RELEASE		
REVISIONS					

X-ON Electronics

Largest Supplier of Electrical and Electronic Components

Click to view similar products for [DIN Connectors](#) category:

Click to view products by [XUNPU](#) manufacturer:

Other Similar products are found below :

[60KD4M](#) [12DL6MX](#) [12JL6M](#) [17DN100-EX](#) [17DN101-EX](#) [SMD7FRA011](#) [16PJ224-E](#) [M55116/1-2](#) [KQLAX-8P](#) [164-229-6-5](#) [M55116/10-0](#)
[SMD5FRA021](#) [15AN84X](#) [13AL6FX](#) [61GA5F](#) [152-002-2-4](#) [0134 05](#) [MDC-004](#) [MDC-104](#) [MDC-204](#) [MDC-208](#) [12BPKG](#) [DC-001](#) [591-](#)
[0400](#) [591-0500](#) [DS1093-01-BN40](#) [593-0700](#) [MJ-372-4](#) [MJ-372-6](#) [MJ-372-8](#) [57PC5M](#) [591-0800](#) [592-0301](#) [592-0511](#) [164-377](#) [610-0520](#)
[0105 05](#) [0105 08](#) [0107 08-1](#) [690-0300](#) [0132 05](#) [930009200 MAB 4](#) [930071200 MAB 5 S](#) [930303517 MAB 3100 S GRAU](#) [930345200 MAB](#)
[8 S](#) [930356517 MAS 70 S GRAU](#) [930778500 MAB 6 H](#) [930959517 MAK 4100](#) [930961517 MAK 5100 S](#) [930964517 MAS 5100](#)