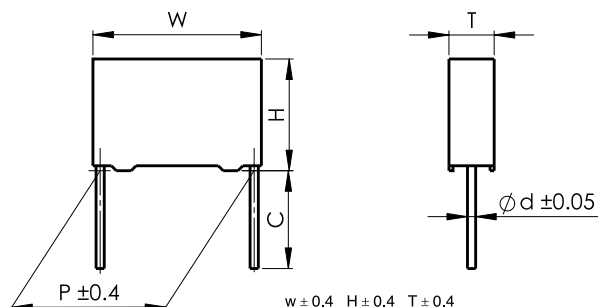


# 金属化聚丙烯膜电容器 Metallized polypropylene film capacitor(Box-type)

## ■ 外形图 Outline Drawing



## ■ 特点

- 金属化聚丙烯膜
- 高频损耗小
- 内部温升小
- 塑料外壳 (UL94 V-0), 阻燃环氧填充

## ■ 主要用途

- 广泛应用于高频、直流、交流和脉冲电路中
- 电视机、显示器 S 校正电路

## ■ 技术要求 Specifications

## ■ Features

- metallized polypropylene film
- Low loss at high frequency
- Small inherent temperature rise
- Plastic case (UL94 V-0), epoxy resin sealing

## ■ Typical application

- Widely used in high frequency, DC, AC and pulse circuits
- S-correction circuits for TV sets and monitors

引用标准 Reference Standard	GB/T 10190(IEC 60384-16)						
气候类别 Climatic Category	55/105/56						
额定温度 Rated Temperature	85℃						
工作温度 Operating Temperature Range	-55℃ ~ 105℃ (+85℃ to +105℃: decreasing factor 1.25% per °C for U <sub>R</sub> )						
额定电压 Rated Voltage	160Vdc(90Vac), 250Vdc(160Vac), 400Vdc(220Vac), 630Vdc(250Vac) 1 000Vdc(400Vac), 1 600Vdc(600Vac), 2 000Vdc(700Vac)						
电容量范围 Capacitance Range	0.00056μF ~ 15.0μF						
电容量偏差 Capacitance Tolerance	± 2%(G), ± 3%(H), ± 5%(J), ± 10%(K), ± 20%(M)						
耐电压 Voltage Proof	1.6U <sub>R</sub> ( 5s )						
损耗角正切 Dissipation Factor	≤ 10 × 10 <sup>-4</sup> (1kHz, 20℃)						
绝缘电阻 Insulation Resistance	R ≥ 100 000MΩ, C <sub>N</sub> ≤ 0.33μF RC <sub>N</sub> ≥ 30 000s, C <sub>N</sub> > 0.33μF (20℃, 100V, 1min)						
最大脉冲爬升速率 Maximum Pulse Rise Time(dV/dt): 若实际工作电压 U 比额定电压 U <sub>R</sub> 低, 电容器可工作在更高的 dV/dt 场合, 这样 dv/dt 允许值应为右表值乘以 U <sub>R</sub> /U。 If the working voltage(U) is lower than the rated voltage(U <sub>R</sub> ), the capacitor can be worked at a higher dV/dt. In this case, the maximum allowed dV/dt is obtain by multiplying the right value with U <sub>R</sub> /U.	U <sub>R</sub> (V)	dV/dt (V/μs)					
		P=5.0	P=7.5	P=10.0	P=15.0	P=22.5	P=27.5
	160	110	310	190	110	65	55
	250	270	660	560	310	130	110
	400	440	900	780	600	300	130
	630	550	1 500	1 200	900	400	200
	1 000	---	---	2 200	2 000	800	---
	1 600	---	---	---	4 500	1 800	---
2 000	---	---	---	9 500	4 500	---	



**C32**  
MKP21 series

**产品编码说明 Part number system**

■ 18位产品代码如下：

**The 18 digits part number is formed as follow:**

1	2	3	4	5	6	7	8	9	10	11	12	13	14	15	16	17	18
C	3	2															

第1~3位	型号代码	Digit 1 to 3	Series code
	C32= MKP21		C32= MKP21
第4~5位	直流额定电压	Digit 4 to 5	DC rated voltage
	2C=160V 2E=250V 2G=400V 2J=630V		2C=160V 2E=250V 2G=400V 2J=630V
	3A=1 000V 3C=1 600V 3D=2 000V		3A=1 000V 3C=1 600V 3D=2 000V
第6~8位	标称容量	Digit 6 to 8	Rated capacitance value
	举例：103=10 × 10 <sup>3</sup> pF=0.01μF		For example: 103=10 × 10 <sup>3</sup> pF=0.01μF
第9位	容量偏差	Digit 9	Capacitance tolerance
	G= ± 2%,H = ± 3%,J= ± 5%		G= ± 2%,H = ± 3%,J= ± 5%
	K= ± 10%, M= ± 20%		K= ± 10%, M= ± 20%
第10位	引线脚距P	Digit 10	Pitch
	2=5.0mm 3=7.5mm 4=10.0mm		2=5.0mm 3=7.5mm 4=10.0mm
	6=15.0mm 9=22.5mm B=27.5mm		6=15.0mm 9=22.5mm B=27.5mm
第11位	内部特征码	Digit 11	Internal use
第12~15位	引线加工和包装代码	Digit 12 to 15	Lead form and packaging code
第16~18位	内部特征码	Digit 16 to 18	Internal use

■ **Table 1 引线加工和包装代码 lead form and packaging code**

第 12 位 Digit 12		第 13 位 Digit 13		第 14 位 Digit 14		第 15 位 Digit 15	
代码 Code	说明 explanation	代码 Code	说明 explanation	代码 Code	说明 explanation	代码 Code	说明 explanation
A	弹带包装 ammo-pack	2	F=5.0mm	0	表示直脚 straight	1	产品在连续的两个载带孔之间 each cap. Among two consecutive holes P3=12.7mm,H=18.5mm (For pitch=5.0/7.5mm)
		3	F=7.5mm			5	P3=25.4mm;H=18.5mm (For pitch=10.0/15.0mm) (Detail parameter refer to pag 17)
		4	F=10.0mm				
		6	F=15.0mm				
C	直脚 straight lead “C” in the figure above	代码 Code	说明 explanation	0		0	引线长度偏差 ± 0.5mm 或标准长度 Length tolerance ± 0.5mm Or standard length
		00	标准的引线长度 (18mm~26mm) standard lead length				
		45	引线长度 4.5mm lead length 4.5mm				

■ 外形尺寸 Dimensions ( mm )

160Vdc ( 90Vac )						
C <sub>N</sub> ( $\mu$ F)	W	H	T	P	d	Part number
0.027	7.2	7.5	3.5	5.0	0.5	C322C273-20****++
0.033	7.2	7.5	3.5	5.0	0.5	C322C333-20****++
0.039	7.2	7.5	3.5	5.0	0.5	C322C393-20****++
0.047	7.2	9.5	4.5	5.0	0.6	C322C473-20****++
0.056	7.2	9.5	4.5	5.0	0.6	C322C563-20****++
0.068	7.2	9.5	4.5	5.0	0.6	C322C683-20****++
0.082	7.2	10.0	5.0	5.0	0.6	C322C823-20****++
0.10	7.2	10.0	5.0	5.0	0.6	C322C104-20****++
0.12	7.2	11.0	6.0	5.0	0.6	C322C124-20****++
0.15	7.2	11.0	6.0	5.0	0.6	C322C154-20****++
0.068	10.5	9.0	4.0	7.5	0.6	C322C683-30****++
0.082	10.5	9.0	4.0	7.5	0.6	C322C823-30****++
0.10	10.5	11.0	5.0	7.5	0.6	C322C104-30****++
0.12	10.5	11.0	5.0	7.5	0.6	C322C124-30****++
0.15	10.5	12.0	6.0	7.5	0.6	C322C154-30****++
0.18	10.5	12.0	6.0	7.5	0.6	C322C184-30****++
0.082	13.0	9.0	4.0	10.0	0.6	C322C823-40****++
0.10	13.0	9.0	4.0	10.0	0.6	C322C104-40****++
0.12	13.0	11.0	5.0	10.0	0.6	C322C124-40****++
0.15	13.0	11.0	5.0	10.0	0.6	C322C154-40****++
0.18	13.0	11.0	5.0	10.0	0.6	C322C184-40****++
0.22	13.0	12.0	6.0	10.0	0.6	C322C224-40****++
0.27	13.0	12.0	6.0	10.0	0.6	C322C274-40****++
0.18	17.5	11.0	5.0	15.0	0.8	C322C184-60****++
0.22	17.5	11.0	5.0	15.0	0.8	C322C224-60****++
0.27	17.5	11.0	5.0	15.0	0.8	C322C274-60****++
0.33	17.5	11.0	5.0	15.0	0.8	C322C334-60****++
0.39	17.5	12.0	6.0	15.0	0.8	C322C394-60****++
0.47	17.5	12.0	6.0	15.0	0.8	C322C474-60****++
0.56	17.5	13.5	7.5	15.0	0.8	C322C564-60****++
0.68	17.5	13.5	7.5	15.0	0.8	C322C684-60****++

160Vdc ( 90Vac )						
C <sub>N</sub> ( $\mu$ F)	W	H	T	P	d	Part number
0.82	17.5	14.5	8.5	15.0	0.8	C322C824-60****++
1.0	17.5	16.0	10.0	15.0	0.8	C322C105-60****++
1.2	17.5	16.0	10.0	15.0	0.8	C322C125-60****++
1.5	17.5	19.0	11.0	15.0	0.8	C322C155-60****++
1.8	17.5	19.0	11.0	15.0	0.8	C322C185-60****++
0.47	26.5	15.0	6.0	22.5	0.8	C322C474-90****++
0.56	26.5	15.0	6.0	22.5	0.8	C322C564-90****++
0.68	26.5	15.0	6.0	22.5	0.8	C322C684-90****++
0.82	26.5	16.0	7.0	22.5	0.8	C322C824-90****++
1.0	26.5	16.0	7.0	22.5	0.8	C322C105-90****++
1.2	26.5	17.0	8.5	22.5	0.8	C322C125-90****++
1.5	26.5	17.0	8.5	22.5	0.8	C322C155-90****++
1.8	26.5	18.5	10.0	22.5	0.8	C322C185-90****++
2.2	26.5	20.0	11.0	22.5	0.8	C322C225-90****++
2.7	26.5	22.0	12.0	22.5	0.8	C322C275-90****++
3.3	26.5	22.0	12.0	22.5	0.8	C322C335-90****++
1.0	32.0	18.0	9.0	27.5	0.8	C322C105-B0****++
1.2	32.0	18.0	9.0	27.5	0.8	C322C125-B0****++
1.5	32.0	18.0	9.0	27.5	0.8	C322C155-B0****++
1.8	32.0	18.0	9.0	27.5	0.8	C322C185-B0****++
2.2	32.0	18.0	9.0	27.5	0.8	C322C225-B0****++
2.7	32.0	20.0	11.0	27.5	0.8	C322C275-B0****++
3.3	32.0	20.0	11.0	27.5	0.8	C322C335-B0****++
3.9	32.0	22.0	13.0	27.5	0.8	C322C395-B0****++
4.7	32.0	28.0	14.0	27.5	0.8	C322C475-B0****++
5.6	32.0	24.5	15.0	27.5	0.8	C322C565-B0****++
6.8	32.0	33.0	18.0	27.5	0.8	C322C685-B0****++
8.2	32.0	33.0	18.0	27.5	0.8	C322C825-B0****++
10.0	32.0	33.0	18.0	27.5	0.8	C322C106-B0****++
12.0	32.0	37.0	22.0	27.5	0.8	C322C126-B0****++
15.0	32.0	37.0	22.0	27.5	0.8	C322C156-B0****++

备注: 1. “-”表示容量偏差。 “-”=capacitance tolerance code, M=±20%,K=±10%,J=±5%,H=±3%,G=±2%  
2. “\*\*\*\*”表示引线加工和包装代码(见表1)。“\*\*\*\*”=lead form and packing code (refer to table 1)



**C32**  
MKP21 series

■ 外形尺寸 Dimensions ( mm )

250Vdc ( 160Vac )						
C <sub>N</sub> (μF)	W	H	T	P	d	Part number
0.012	7.2	7.5	3.5	5.0	0.5	C322E123-20****+++
0.015	7.2	7.5	3.5	5.0	0.5	C322E153-20****+++
0.018	7.2	7.5	3.5	5.0	0.5	C322E183-20****+++
0.022	7.2	7.5	3.5	5.0	0.5	C322E223-20****+++
0.027	7.2	7.5	3.5	5.0	0.5	C322E273-20****+++
0.033	7.2	7.5	3.5	5.0	0.5	C322E333-20****+++
0.039	7.2	7.5	3.5	5.0	0.5	C322E393-20****+++
0.047	7.2	9.5	4.5	5.0	0.6	C322E473-20****+++
0.056	7.2	9.5	4.5	5.0	0.6	C322E563-20****+++
0.068	7.2	10.0	5.0	5.0	0.6	C322E683-20****+++
0.082	7.2	10.0	5.0	5.0	0.6	C322E823-20****+++
0.10	7.2	11.0	6.0	5.0	0.6	C322E104-20****+++
0.12	7.2	11.0	6.0	5.0	0.6	C322E124-20****+++
0.027	10.5	9.0	4.0	7.5	0.6	C322E273-30****+++
0.033	10.5	9.0	4.0	7.5	0.6	C322E333-30****+++
0.039	10.5	9.0	4.0	7.5	0.6	C322E393-30****+++
0.047	10.5	9.0	4.0	7.5	0.6	C322E473-30****+++
0.056	10.5	9.0	4.0	7.5	0.6	C322E563-30****+++
0.068	10.5	9.0	4.0	7.5	0.6	C322E683-30****+++
0.082	10.5	11.0	5.0	7.5	0.6	C322E823-30****+++
0.10	10.5	11.0	5.0	7.5	0.6	C322E104-30****+++
0.12	10.5	11.0	5.0	7.5	0.6	C322E124-30****+++
0.15	10.5	12.0	6.0	7.5	0.6	C322E154-30****+++
0.18	10.5	12.0	6.0	7.5	0.6	C322E184-30****+++
0.033	13.0	9.0	4.0	10.0	0.6	C322E333-40****+++
0.039	13.0	9.0	4.0	10.0	0.6	C322E393-40****+++
0.047	13.0	9.0	4.0	10.0	0.6	C322E473-40****+++
0.056	13.0	9.0	4.0	10.0	0.6	C322E563-40****+++
0.068	13.0	9.0	4.0	10.0	0.6	C322E683-40****+++
0.082	13.0	9.0	4.0	10.0	0.6	C322E823-40****+++
0.10	13.0	11.0	5.0	10.0	0.6	C322E104-40****+++
0.12	13.0	11.0	5.0	10.0	0.6	C322E124-40****+++
0.15	13.0	11.0	5.0	10.0	0.6	C322E154-40****+++
0.18	13.0	12.0	6.0	10.0	0.6	C322E184-40****+++
0.22	13.0	12.0	6.0	10.0	0.6	C322E224-40****+++
0.10	17.5	11.0	5.0	15.0	0.8	C322E104-60****+++
0.12	17.5	11.0	5.0	15.0	0.8	C322E124-60****+++
0.15	17.5	11.0	5.0	15.0	0.8	C322E154-60****+++

250Vdc ( 160Vac )						
C <sub>N</sub> (μF)	W	H	T	P	d	Part number
0.18	17.5	11.0	5.0	15.0	0.8	C322E184-60****+++
0.22	17.5	11.0	5.0	15.0	0.8	C322E224-60****+++
0.27	17.5	12.0	6.0	15.0	0.8	C322E274-60****+++
0.33	17.5	12.0	6.0	15.0	0.8	C322E334-60****+++
0.39	17.5	13.5	7.5	15.0	0.8	C322E394-60****+++
0.47	17.5	13.5	7.5	15.0	0.8	C322E474-60****+++
0.56	17.5	13.5	7.5	15.0	0.8	C322E564-60****+++
0.68	17.5	14.5	8.5	15.0	0.8	C322E684-60****+++
0.82	17.5	16.0	10.0	15.0	0.8	C322E824-60****+++
1.0	17.5	16.0	10.0	15.0	0.8	C322E105-60****+++
1.2	17.5	19.0	11.0	15.0	0.8	C322E125-60****+++
0.39	26.5	15.0	6.0	22.5	0.8	C322E394-90****+++
0.47	26.5	15.0	6.0	22.5	0.8	C322E474-90****+++
0.56	26.5	15.0	6.0	22.5	0.8	C322E564-90****+++
0.68	26.5	15.0	6.0	22.5	0.8	C322E684-90****+++
0.82	26.5	15.0	6.0	22.5	0.8	C322E824-90****+++
1.0	26.5	16.0	7.0	22.5	0.8	C322E105-90****+++
1.2	26.5	17.0	8.5	22.5	0.8	C322E125-90****+++
1.5	26.5	17.0	8.5	22.5	0.8	C322E155-90****+++
1.8	26.5	18.5	10.0	22.5	0.8	C322E185-90****+++
2.2	26.5	20.0	11.0	22.5	0.8	C322E225-90****+++
2.7	26.5	22.0	12.0	22.5	0.8	C322E275-90****+++
0.82	32.0	18.0	9.0	27.5	0.8	C322E824-B0****+++
1.0	32.0	18.0	9.0	27.5	0.8	C322E105-B0****+++
1.2	32.0	18.0	9.0	27.5	0.8	C322E125-B0****+++
1.5	32.0	18.0	9.0	27.5	0.8	C322E155-B0****+++
1.8	32.0	18.0	9.0	27.5	0.8	C322E185-B0****+++
2.2	32.0	18.0	9.0	27.5	0.8	C322E225-B0****+++
2.7	32.0	20.0	11.0	27.5	0.8	C322E275-B0****+++
3.3	32.0	20.0	11.0	27.5	0.8	C322E335-B0****+++
3.9	32.0	22.0	13.0	27.5	0.8	C322E395-B0****+++
4.7	32.0	28.0	14.0	27.5	0.8	C322E475-B0****+++
5.6	32.0	24.5	15.0	27.5	0.8	C322E565-B0****+++
6.8	32.0	33.0	18.0	27.5	0.8	C322E685-B0****+++
8.2	32.0	33.0	18.0	27.5	0.8	C322E825-B0****+++
10.0	32.0	33.0	18.0	27.5	0.8	C322E106-B0****+++
12.0	32.0	37.0	22.0	27.5	0.8	C322E126-B0****+++
15.0	32.0	37.0	22.0	27.5	0.8	C322E156-B0****+++

备注: 1. “-”表示容量偏差。 “-”=capacitance tolerance code, M=±20%,K=±10%,J=±5%,H=±3%,G=±2%  
2. “\*\*\*\*”表示引线加工和包装代码(见表1)。“\*\*\*\*”=lead form and packing code (refer to table 1)

■ 外形尺寸 Dimensions ( mm )

400Vdc ( 220Vac ) <sup>®</sup>						
C <sub>N</sub> (μF)	W	H	T	P	d	Part number
0.0039	7.2	7.5	3.5	5.0	0.5	C322G392-20****+++
0.0047	7.2	7.5	3.5	5.0	0.5	C322G472-20****+++
0.0056	7.2	7.5	3.5	5.0	0.5	C322G562-20****+++
0.0068	7.2	7.5	3.5	5.0	0.5	C322G682-20****+++
0.0082	7.2	7.5	3.5	5.0	0.5	C322G822-20****+++
0.010	7.2	7.5	3.5	5.0	0.5	C322G103-20****+++
0.012	7.2	7.5	3.5	5.0	0.5	C322G123-20****+++
0.015	7.2	9.5	4.5	5.0	0.6	C322G153-20****+++
0.018	7.2	9.5	4.5	5.0	0.6	C322G183-20****+++
0.022	7.2	9.5	4.5	5.0	0.6	C322G223-20****+++
0.027	7.2	10.0	5.0	5.0	0.6	C322G273-20****+++
0.033	7.2	11.0	6.0	5.0	0.6	C322G333-20****+++
0.039	7.2	11.0	6.0	5.0	0.6	C322G393-20****+++
0.047	7.2	11.0	6.0	5.0	0.6	C322G473-20****+++
0.010	10.5	9.0	4.0	7.5	0.6	C322G103-30****+++
0.012	10.5	9.0	4.0	7.5	0.6	C322G123-30****+++
0.015	10.5	9.0	4.0	7.5	0.6	C322G153-30****+++
0.018	10.5	9.0	4.0	7.5	0.6	C322G183-30****+++
0.022	10.5	9.0	4.0	7.5	0.6	C322G223-30****+++
0.027	10.5	9.0	4.0	7.5	0.6	C322G273-30****+++
0.033	10.5	11.0	5.0	7.5	0.6	C322G333-30****+++
0.039	10.5	11.0	5.0	7.5	0.6	C322G393-30****+++
0.047	10.5	11.0	5.0	7.5	0.6	C322G473-30****+++
0.056	10.5	12.0	6.0	7.5	0.6	C322G563-30****+++
0.068	10.5	12.0	6.0	7.5	0.6	C322G683-30****+++
0.015	13.0	9.0	4.0	10.0	0.6	C322G153-40****+++
0.018	13.0	9.0	4.0	10.0	0.6	C322G183-40****+++
0.022	13.0	9.0	4.0	10.0	0.6	C322G223-40****+++
0.027	13.0	9.0	4.0	10.0	0.6	C322G273-40****+++
0.033	13.0	9.0	4.0	10.0	0.6	C322G333-40****+++
0.039	13.0	9.0	4.0	10.0	0.6	C322G393-40****+++
0.047	13.0	11.0	5.0	10.0	0.6	C322G473-40****+++
0.056	13.0	11.0	5.0	10.0	0.6	C322G563-40****+++
0.068	13.0	11.0	5.0	10.0	0.6	C322G683-40****+++
0.082	13.0	12.0	6.0	10.0	0.6	C322G823-40****+++
0.10	13.0	12.0	6.0	10.0	0.6	C322G104-40****+++
0.068	17.5	11.0	5.0	15.0	0.8	C322G683-60****+++
0.082	17.5	11.0	5.0	15.0	0.8	C322G823-60****+++

400Vdc ( 220Vac ) <sup>®</sup>						
C <sub>N</sub> (μF)	W	H	T	P	d	Part number
0.10	17.5	11.0	5.0	15.0	0.8	C322G104-60****+++
0.12	17.5	11.0	5.0	15.0	0.8	C322G124-60****+++
0.15	17.5	12.0	6.0	15.0	0.8	C322G154-60****+++
0.18	17.5	12.0	6.0	15.0	0.8	C322G184-60****+++
0.22	17.5	13.5	7.5	15.0	0.8	C322G224-60****+++
0.27	17.5	13.5	7.5	15.0	0.8	C322G274-60****+++
0.33	17.5	14.5	8.5	15.0	0.8	C322G334-60****+++
0.39	17.5	16.0	10.0	15.0	0.8	C322G394-60****+++
0.47	17.5	16.0	10.0	15.0	0.8	C322G474-60****+++
0.56	17.5	19.0	11.0	15.0	0.8	C322G564-60****+++
0.68	17.5	19.0	11.0	15.0	0.8	C322G684-60****+++
0.18	26.5	15.0	6.0	22.5	0.8	C322G184-90****+++
0.22	26.5	15.0	6.0	22.5	0.8	C322G224-90****+++
0.27	26.5	15.0	6.0	22.5	0.8	C322G274-90****+++
0.33	26.5	15.0	6.0	22.5	0.8	C322G334-90****+++
0.39	26.5	16.0	7.0	22.5	0.8	C322G394-90****+++
0.47	26.5	16.0	7.0	22.5	0.8	C322G474-90****+++
0.56	26.5	17.0	8.5	22.5	0.8	C322G564-90****+++
0.68	26.5	17.0	8.5	22.5	0.8	C322G684-90****+++
0.82	26.5	18.5	10.0	22.5	0.8	C322G824-90****+++
1.0	26.5	20.0	11.0	22.5	0.8	C322G105-90****+++
1.2	26.5	22.0	12.0	22.5	0.8	C322G125-90****+++
1.5	26.5	22.0	12.0	22.5	0.8	C322G155-90****+++
0.56	32.0	18.0	9.0	27.5	0.8	C322G564-B0****+++
0.68	32.0	18.0	9.0	27.5	0.8	C322G684-B0****+++
0.82	32.0	18.0	9.0	27.5	0.8	C322G824-B0****+++
1.0	32.0	18.0	9.0	27.5	0.8	C322G105-B0****+++
1.2	32.0	20.0	11.0	27.5	0.8	C322G125-B0****+++
1.5	32.0	20.0	11.0	27.5	0.8	C322G155-B0****+++
1.8	32.0	22.0	13.0	27.5	0.8	C322G185-B0****+++
2.2	32.0	24.5	15.0	27.5	0.8	C322G225-B0****+++
2.7	32.0	28.0	14.0	27.5	0.8	C322G275-B0****+++
3.3	32.0	33.0	18.0	27.5	0.8	C322G335-B0****+++
3.9	32.0	33.0	18.0	27.5	0.8	C322G395-B0****+++
4.7	32.0	37.0	22.0	27.5	0.8	C322G475-B0****+++
5.6	32.0	37.0	22.0	27.5	0.8	C322G565-B0****+++

备注: 1. “-”表示容量偏差。 “-”=capacitance tolerance code, M=±20%,K=±10%,J=±5%,H=±3%,G=±2%  
 2. “\*\*\*\*”表示引线加工和包装代码(见表1)。“\*\*\*\*”=lead form and packing code (refer to table 1)  
 3. “@”不用作跨线,请参见抗干扰电容器(Pag.109)  
 “@” Not suitable for across-the-line application. Pls refer to Interference Suppression Capacitors(Pag. 109)



■ 外形尺寸 Dimensions ( mm )

630Vdc(250Vac) <sup>@</sup>							630Vdc(250Vac) <sup>@</sup>							630Vdc(250Vac) <sup>@</sup>						
C <sub>N</sub> (μF)	W	H	T	P	d	Part number	C <sub>N</sub> (μF)	W	H	T	P	d	Part number	C <sub>N</sub> (μF)	W	H	T	P	d	Part number
0.0010	7.2	7.5	3.5	5.0	0.5	C322J102-20****+	0.027	10.5	12.0	6.0	7.5	0.6	C322J273-30****+	0.12	17.5	13.5	7.5	15.0	0.8	C322J124-60****+
0.0012	7.2	7.5	3.5	5.0	0.5	C322J122-20****+	0.033	10.5	12.0	6.0	7.5	0.6	C322J333-30****+	0.15	17.5	13.5	7.5	15.0	0.8	C322J154-60****+
0.0015	7.2	7.5	3.5	5.0	0.5	C322J152-20****+	0.0010	13.0	9.0	4.0	10.0	0.6	C322J102-40****+	0.18	17.5	14.5	8.5	15.0	0.8	C322J184-60****+
0.0018	7.2	7.5	3.5	5.0	0.5	C322J182-20****+	0.0012	13.0	9.0	4.0	10.0	0.6	C322J122-40****+	0.22	17.5	16.0	10.0	15.0	0.8	C322J224-60****+
0.0022	7.2	7.5	3.5	5.0	0.5	C322J222-20****+	0.0015	13.0	9.0	4.0	10.0	0.6	C322J152-40****+	0.27	17.5	19.0	11.0	15.0	0.8	C322J274-60****+
0.0027	7.2	7.5	3.5	5.0	0.5	C322J272-20****+	0.0018	13.0	9.0	4.0	10.0	0.6	C322J182-40****+	0.33	17.5	19.0	11.0	15.0	0.8	C322J334-60****+
0.0033	7.2	7.5	3.5	5.0	0.5	C322J332-20****+	0.0022	13.0	9.0	4.0	10.0	0.6	C322J222-40****+	0.082	26.5	15.0	6.0	22.5	0.8	C322J823-90****+
0.0039	7.2	9.5	4.5	5.0	0.6	C322J392-20****+	0.0027	13.0	9.0	4.0	10.0	0.6	C322J272-40****+	0.10	26.5	15.0	6.0	22.5	0.8	C322J104-90****+
0.0047	7.2	9.5	4.5	5.0	0.6	C322J472-20****+	0.0033	13.0	9.0	4.0	10.0	0.6	C322J332-40****+	0.12	26.5	15.0	6.0	22.5	0.8	C322J124-90****+
0.0056	7.2	10.0	5.0	5.0	0.6	C322J562-20****+	0.0039	13.0	9.0	4.0	10.0	0.6	C322J392-40****+	0.15	26.5	15.0	6.0	22.5	0.8	C322J154-90****+
0.0068	7.2	10.0	5.0	5.0	0.6	C322J682-20****+	0.0047	13.0	9.0	4.0	10.0	0.6	C322J472-40****+	0.18	26.5	15.0	6.0	22.5	0.8	C322J184-90****+
0.0082	7.2	11.0	6.0	5.0	0.6	C322J822-20****+	0.0056	13.0	9.0	4.0	10.0	0.6	C322J562-40****+	0.22	26.5	16.0	7.0	22.5	0.8	C322J224-90****+
0.010	7.2	11.0	6.0	5.0	0.6	C322J103-20****+	0.0068	13.0	9.0	4.0	10.0	0.6	C322J682-40****+	0.27	26.5	17.0	8.5	22.5	0.8	C322J274-90****+
0.012	7.2	11.0	6.0	5.0	0.6	C322J123-20****+	0.0082	13.0	9.0	4.0	10.0	0.6	C322J822-40****+	0.33	26.5	17.0	8.5	22.5	0.8	C322J334-90****+
0.0010	10.5	9.0	4.0	7.5	0.6	C322J102-30****+	0.010	13.0	9.0	4.0	10.0	0.6	C322J103-40****+	0.39	26.5	18.5	10.0	22.5	0.8	C322J394-90****+
0.0012	10.5	9.0	4.0	7.5	0.6	C322J122-30****+	0.012	13.0	9.0	4.0	10.0	0.6	C322J123-40****+	0.47	26.5	18.5	10.0	22.5	0.8	C322J474-90****+
0.0015	10.5	9.0	4.0	7.5	0.6	C322J152-30****+	0.015	13.0	9.0	4.0	10.0	0.6	C322J153-40****+	0.56	26.5	20.0	11.0	22.5	0.8	C322J564-90****+
0.0018	10.5	9.0	4.0	7.5	0.6	C322J182-30****+	0.018	13.0	9.0	4.0	10.0	0.6	C322J183-40****+	0.68	26.5	22.0	12.0	22.5	0.8	C322J684-90****+
0.0022	10.5	9.0	4.0	7.5	0.6	C322J222-30****+	0.022	13.0	11.0	5.0	10.0	0.6	C322J223-40****+	0.33	32.0	18.0	9.0	27.5	0.8	C322J334-B0****+
0.0027	10.5	9.0	4.0	7.5	0.6	C322J272-30****+	0.027	13.0	11.0	5.0	10.0	0.6	C322J273-40****+	0.39	32.0	18.0	9.0	27.5	0.8	C322J394-B0****+
0.0033	10.5	9.0	4.0	7.5	0.6	C322J332-30****+	0.033	13.0	11.0	5.0	10.0	0.6	C322J333-40****+	0.47	32.0	18.0	9.0	27.5	0.8	C322J474-B0****+
0.0039	10.5	9.0	4.0	7.5	0.6	C322J392-30****+	0.039	13.0	12.0	6.0	10.0	0.6	C322J393-40****+	0.56	32.0	20.0	11.0	27.5	0.8	C322J564-B0****+
0.0047	10.5	9.0	4.0	7.5	0.6	C322J472-30****+	0.047	13.0	12.0	6.0	10.0	0.6	C322J473-40****+	0.68	32.0	20.0	11.0	27.5	0.8	C322J684-B0****+
0.0056	10.5	9.0	4.0	7.5	0.6	C322J562-30****+	0.027	17.5	11.0	5.0	15.0	0.8	C322J273-60****+	0.82	32.0	20.0	11.0	27.5	0.8	C322J824-B0****+
0.0068	10.5	9.0	4.0	7.5	0.6	C322J682-30****+	0.033	17.5	11.0	5.0	15.0	0.8	C322J333-60****+	1.0	32.0	22.0	13.0	27.5	0.8	C322J105-B0****+
0.0082	10.5	9.0	4.0	7.5	0.6	C322J822-30****+	0.039	17.5	11.0	5.0	15.0	0.8	C322J393-60****+	1.2	32.0	24.5	15.0	27.5	0.8	C322J125-B0****+
0.010	10.5	9.0	4.0	7.5	0.6	C322J103-30****+	0.047	17.5	11.0	5.0	15.0	0.8	C322J473-60****+	1.5	32.0	28.0	14.0	27.5	0.8	C322J155-B0****+
0.012	10.5	9.0	4.0	7.5	0.6	C322J123-30****+	0.056	17.5	11.0	5.0	15.0	0.8	C322J563-60****+	1.8	32.0	33.0	18.0	27.5	0.8	C322J185-B0****+
0.015	10.5	11.0	5.0	7.5	0.6	C322J153-30****+	0.068	17.5	12.0	6.0	15.0	0.8	C322J683-60****+	2.2	32.0	33.0	18.0	27.5	0.8	C322J225-B0****+
0.018	10.5	11.0	5.0	7.5	0.6	C322J183-30****+	0.082	17.5	12.0	6.0	15.0	0.8	C322J823-60****+	2.7	32.0	37.0	22.0	27.5	0.8	C322J275-B0****+
0.022	10.5	11.0	5.0	7.5	0.6	C322J223-30****+	0.10	17.5	13.5	7.5	15.0	0.8	C322J104-60****+	3.3	32.0	37.0	22.0	27.5	0.8	C322J335-B0****+

Note: 1. “-” =capacitance tolerance code, M= ± 20%,K= ± 10%,J= ± 5%  
 2. “\*\*\*\*” =lead form and packing code ( refer to table 1 )  
 3. “@” 不用作跨线, 请参见抗干扰电容器 ( Pag.109 )  
 “@” Not suitable for across-the-line applications.Pls refer to Interference Suppression Capacitors.(Pag.109)



■ 外形尺寸 Dimensions ( mm )

1 000Vdc(400Vac)							1 600Vdc(600Vac)							2 000Vdc(700Vac)						
C <sub>N</sub> (μF)	W	H	T	P	d	Part number	C <sub>N</sub> (μF)	W	H	T	P	d	Part number	C <sub>N</sub> (μF)	W	H	T	P	d	Part number
0.0010	13.0	9.0	4.0	10.0	0.6	C323A102-40****+	0.00056	17.5	11.0	5.0	15.0	0.8	C323C561-60****+	0.00056	17.5	11.0	5.0	15.0	0.8	C323D561-60****+
0.0012	13.0	9.0	4.0	10.0	0.6	C323A122-40****+	0.00062	17.5	11.0	5.0	15.0	0.8	C323C621-60****+	0.00062	17.5	11.0	5.0	15.0	0.8	C323D621-60****+
0.0015	13.0	9.0	4.0	10.0	0.6	C323A152-40****+	0.00068	17.5	11.0	5.0	15.0	0.8	C323C681-60****+	0.00068	17.5	11.0	5.0	15.0	0.8	C323D681-60****+
0.0018	13.0	9.0	4.0	10.0	0.6	C323A182-40****+	0.00082	17.5	11.0	5.0	15.0	0.8	C323C821-60****+	0.00082	17.5	11.0	5.0	15.0	0.8	C323D821-60****+
0.0022	13.0	9.0	4.0	10.0	0.6	C323A222-40****+	0.0010	17.5	11.0	5.0	15.0	0.8	C323C102-60****+	0.0010	17.5	11.0	5.0	15.0	0.8	C323D102-60****+
0.0027	13.0	9.0	4.0	10.0	0.6	C323A272-40****+	0.0012	17.5	11.0	5.0	15.0	0.8	C323C122-60****+	0.0012	17.5	11.0	5.0	15.0	0.8	C323D122-60****+
0.0033	13.0	9.0	4.0	10.0	0.6	C323A332-40****+	0.0015	17.5	11.0	5.0	15.0	0.8	C323C152-60****+	0.0015	17.5	11.0	5.0	15.0	0.8	C323D152-60****+
0.0039	13.0	9.0	4.0	10.0	0.6	C323A392-40****+	0.0018	17.5	11.0	5.0	15.0	0.8	C323C182-60****+	0.0018	17.5	11.0	5.0	15.0	0.8	C323D182-60****+
0.0047	13.0	11.0	5.0	10.0	0.6	C323A472-40****+	0.0022	17.5	11.0	5.0	15.0	0.8	C323C222-60****+	0.0022	17.5	11.0	5.0	15.0	0.8	C323D222-60****+
0.0056	13.0	11.0	5.0	10.0	0.6	C323A562-40****+	0.0027	17.5	11.0	5.0	15.0	0.8	C323C272-60****+	0.0027	17.5	11.0	5.0	15.0	0.8	C323D272-60****+
0.0068	13.0	11.0	5.0	10.0	0.6	C323A682-40****+	0.0033	17.5	11.0	5.0	15.0	0.8	C323C332-60****+	0.0033	17.5	11.0	5.0	15.0	0.8	C323D332-60****+
0.0082	13.0	12.0	6.0	10.0	0.6	C323A822-40****+	0.0039	17.5	11.0	5.0	15.0	0.8	C323C392-60****+	0.0039	17.5	11.0	5.0	15.0	0.8	C323D392-60****+
0.010	13.0	12.0	6.0	10.0	0.6	C323A103-40****+	0.0047	17.5	11.0	5.0	15.0	0.8	C323C472-60****+	0.0047	17.5	11.0	5.0	15.0	0.8	C323D472-60****+
0.0022	17.5	11.0	5.0	15.0	0.8	C323A222-60****+	0.0056	17.5	11.0	5.0	15.0	0.8	C323C562-60****+	0.0056	17.5	12.0	6.0	15.0	0.8	C323D562-60****+
0.0027	17.5	11.0	5.0	15.0	0.8	C323A272-60****+	0.0068	17.5	11.0	5.0	15.0	0.8	C323C682-60****+	0.0068	17.5	12.0	6.0	15.0	0.8	C323D682-60****+
0.0033	17.5	11.0	5.0	15.0	0.8	C323A332-60****+	0.0082	17.5	12.0	6.0	15.0	0.8	C323C822-60****+	0.0082	17.5	13.5	7.5	15.0	0.8	C323D822-60****+
0.0039	17.5	11.0	5.0	15.0	0.8	C323A392-60****+	0.010	17.5	12.0	6.0	15.0	0.8	C323C103-60****+	0.010	17.5	13.5	7.5	15.0	0.8	C323D103-60****+
0.0047	17.5	11.0	5.0	15.0	0.8	C323A472-60****+	0.012	17.5	12.0	6.0	15.0	0.8	C323C123-60****+	0.012	17.5	14.5	8.5	15.0	0.8	C323D123-60****+
0.0056	17.5	11.0	5.0	15.0	0.8	C323A562-60****+	0.015	17.5	13.5	7.5	15.0	0.8	C323C153-60****+	0.015	17.5	14.5	8.5	15.0	0.8	C323D153-60****+
0.0068	17.5	11.0	5.0	15.0	0.8	C323A682-60****+	0.018	17.5	13.5	7.5	15.0	0.8	C323C183-60****+	0.018	17.5	16.0	10.0	15.0	0.8	C323D183-60****+
0.0082	17.5	11.0	5.0	15.0	0.8	C323A822-60****+	0.022	17.5	14.5	8.5	15.0	0.8	C323C223-60****+	0.022	17.5	19.0	11.0	15.0	0.8	C323D223-60****+
0.010	17.5	11.0	5.0	15.0	0.8	C323A103-60****+	0.027	17.5	16.0	10.0	15.0	0.8	C323C273-60****+	0.0068	26.5	15.0	6.0	22.5	0.8	C323D682-90****+
0.012	17.5	11.0	5.0	15.0	0.8	C323A123-60****+	0.033	17.5	16.0	10.0	15.0	0.8	C323C333-60****+	0.0082	26.5	15.0	6.0	22.5	0.8	C323D822-90****+
0.015	17.5	12.0	6.0	15.0	0.8	C323A153-60****+	0.039	17.5	19.0	11.0	15.0	0.8	C323C393-60****+	0.010	26.5	15.0	6.0	22.5	0.8	C323D103-90****+
0.018	17.5	12.0	6.0	15.0	0.8	C323A183-60****+	0.047	17.5	19.0	11.0	15.0	0.8	C323C473-60****+	0.012	26.5	15.0	6.0	22.5	0.8	C323D123-90****+
0.022	17.5	13.5	7.5	15.0	0.8	C323A223-60****+	0.015	26.5	15.0	6.0	22.5	0.8	C323C153-90****+	0.015	26.5	15.0	6.0	22.5	0.8	C323D153-90****+
0.027	17.5	13.5	7.5	15.0	0.8	C323A273-60****+	0.018	26.5	15.0	6.0	22.5	0.8	C323C183-90****+	0.018	26.5	16.0	7.0	22.5	0.8	C323D183-90****+
0.033	17.5	14.5	8.5	15.0	0.8	C323A333-60****+	0.022	26.5	15.0	6.0	22.5	0.8	C323C223-90****+	0.022	26.5	17.0	8.5	22.5	0.8	C323D223-90****+
0.039	17.5	16.0	10.0	15.0	0.8	C323A393-60****+	0.027	26.5	16.0	7.0	22.5	0.8	C323C273-90****+	0.027	26.5	17.0	8.5	22.5	0.8	C323D273-90****+
0.047	17.5	16.0	10.0	15.0	0.8	C323A473-60****+	0.033	26.5	16.0	7.0	22.5	0.8	C323C333-90****+	0.033	26.5	18.5	10.0	22.5	0.8	C323D333-90****+
0.056	17.5	19.0	11.0	15.0	0.8	C323A563-60****+	0.039	26.5	17.0	8.5	22.5	0.8	C323C393-90****+	0.039	26.5	18.5	10.0	22.5	0.8	C323D393-90****+
0.068	17.5	19.0	11.0	15.0	0.8	C323A683-60****+	0.047	26.5	18.5	10.0	22.5	0.8	C323C473-90****+	0.047	26.5	22.0	12.0	22.5	0.8	C323D473-90****+
0.018	26.5	15.0	6.0	22.5	0.8	C323A183-90****+	0.056	26.5	18.5	10.0	22.5	0.8	C323C563-90****+	0.056	26.5	22.0	12.0	22.5	0.8	C323D563-90****+
0.022	26.5	15.0	6.0	22.5	0.8	C323A223-90****+	0.068	26.5	22.0	12.0	22.5	0.8	C323C683-90****+	0.068	26.5	22.0	12.0	22.5	0.8	C323D683-90****+
0.027	26.5	15.0	6.0	22.5	0.8	C323A273-90****+	0.082	26.5	22.0	12.0	22.5	0.8	C323C823-90****+	0.082	26.5	22.0	12.0	22.5	0.8	C323D823-90****+
0.033	26.5	15.0	6.0	22.5	0.8	C323A333-90****+	0.10	26.5	22.0	12.0	22.5	0.8	C323C104-90****+	0.10	26.5	22.0	12.0	22.5	0.8	C323D104-90****+
0.039	26.5	15.0	6.0	22.5	0.8	C323A393-90****+														
0.047	26.5	16.0	7.0	22.5	0.8	C323A473-90****+														
0.056	26.5	16.0	7.0	22.5	0.8	C323A563-90****+														
0.068	26.5	17.0	8.5	22.5	0.8	C323A683-90****+														
0.082	26.5	17.0	8.5	22.5	0.8	C323A823-90****+														
0.10	26.5	18.5	10.0	22.5	0.8	C323A104-90****+														
0.12	26.5	22.0	12.0	22.5	0.8	C323A124-90****+														
0.15	26.5	22.0	12.0	22.5	0.8	C323A154-90****+														

备注: 1. “-”表示容量偏差。 “-”=capacitance tolerance code, M=±20%,K=±10%,J=±5%,H=±3%,G=±2%  
2. “\*\*\*\*”表示引线加工和包装代码(见表1)。“\*\*\*\*”=lead form and packing code (refer to table 1)

## X-ON Electronics

Largest Supplier of Electrical and Electronic Components

*Click to view similar products for [Film Capacitors](#) category:*

*Click to view products by [FARATRONIC](#) manufacturer:*

Other Similar products are found below :

[F339X134748MIP2T0](#) [F450KG153J250ALH0J](#) [750-1018](#) [FKP1-1500160010P15](#) [FKP1R031007D00JYSD](#) [FKP1R031507E00JYSD](#)  
[FKP1U024707E00KYSD](#) [82DC4100CK60J](#) [82EC1100DQ50K](#) [PFR5101J100J11L16.5TA18](#) [PME261JB5220KR19T0](#) [A451GK223M040A](#)  
[A561ED221M450A](#) [QXJ2E474KTPT](#) [QXL2B333KTPT](#) [R49AN347000A1K](#) [EEC2G505HQA406](#) [B25668A6676A375](#) [B25673A4282E140](#)  
[BFC233868148](#) [BFC2370GC222](#) [C3B2AD44400B20K](#) [C4ASWBU3220A3EK](#) [CB027C0473J--](#) [CB177I0184J--](#) [CB182K0184J--](#) [23PW210](#)  
[950CQW5H-F](#) [SBDC3470AA10J](#) [SCD105K122A3-22](#) [2N3155](#) [A571EH331M450A](#) [FKP1-2202KV5P15](#) [FKS3-680040010P10](#)  
[QXL2E473KTPT](#) [445450-1](#) [B25669A3996J375](#) [46KI322000M1M](#) [46KR415050M1K](#) [4BSNBX4100ZBFJ](#) [MKP383510063JKP2T0](#)  
[MKPY2-.02230020P15](#) [MKT 1813-368-015](#) [4055292001](#) [46KN410000N1K](#) [EEC2E106HQA405](#) [EEC2G205HQA402](#) [EEC2G805HQA415](#)  
[P409CP224M250AH470](#) [82EC2150DQ50K](#)