

For and on behalf of
XKB INDUSTRIAL PRECISION CO., LIMITED
 香港星洲工業精密有限公司

MARK	DESCRIPTION	DATE	REVISED	APPROVED	UNSPECIFIED TOLERANCES
△ X					±0.5
△ X					16 > L ≤ 63
△ X					4 < L ≤ 16
					L ≤ 4
					ANGULAR

REVISIONS	Authorized Signature(s)				
DNSD	DATE	SCALE: N/A	MODEL TYPE: X9821WV-XX-XXSN	VIEW:	DATE
DWN	DATE	SCALE: N/A	PART NO.:	VIEW:	DATE
CHKD	DATE	SCALE: N/A	1.25mm Crimp Style Connectors	UNIT: mm	DATE
APPD	DATE	SCALE: N/A	DWG NO.:	SIZE: A4	DATE

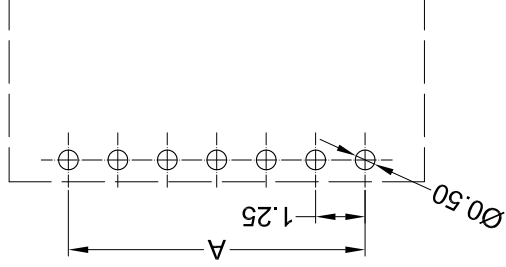
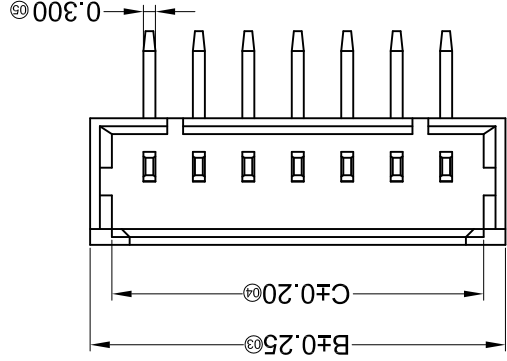
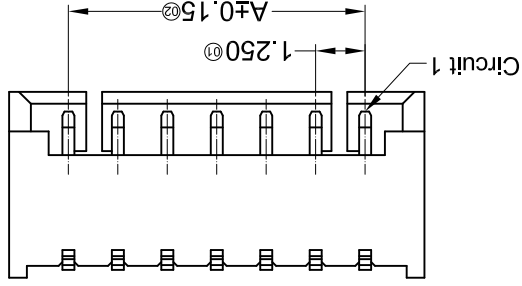
PART NO	Material	Material(Pin)	Finish(Pin)	Suitable XKB Terminal
9821WV-XX-LPSN	LCP UL 94V-0	Phorphos Bronze	Tin-Plated	X9821H
9821WV-XX-6TSN	PA6T UL 94V-0	Phorphos Bronze	Tin-Plated	X9821H
9821WV-XX-46SN	PA46 UL 94V-0	Phorphos Bronze	Tin-Plated	X9821H
9821WV-XX-N0SN	PA66 UL 94V-0	Phorphos Bronze	Tin-Plated	X9821H

Poles	Dimensions(mm)			Poles	Dimensions(mm)		
	A	B	C		A	B	C
02	1.25	4.25	3.15	10	11.25	14.25	13.15
03	2.50	5.50	4.40	11	12.50	15.50	14.40
04	3.75	6.75	5.65	12	13.75	16.75	15.65
05	5.00	8.00	6.90	13	15.00	18.00	16.90
06	6.25	9.25	8.15	14	16.25	19.25	18.15
07	7.50	10.50	9.40	15	17.50	20.50	19.40
08	8.75	11.75	10.65	16	18.75	21.75	20.65
09	10.00	13.00	11.90				

- Specifications :**
- Voltage rating: 125V AC / DC
 - Current rating: 1A AC / DC
 - Withstanding voltage: 250V AC/minute
 - Temperature range: -25°C~+85°C
 - Insulation resistance: ≥100MΩ
 - Contact resistance: ≤20mΩ
 - After environmental testing: ≤40mΩ

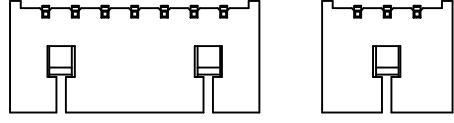
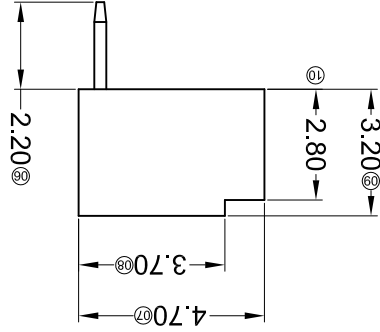
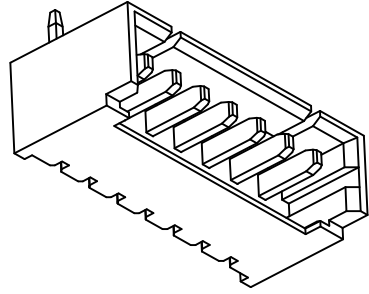
X9821 W V X-XX X-XX SN XX

- Series No.
- Category: W-water
- Welding Board Angle: V- Straight 180°
- Welding Way: Blank-DIP
- Row No.-Pin No.: XX-02P~16P
- Plug the Pin & Special No.:
- Material: 46-PA46 94V-0; NO-PA66 94V-0
- 6T-PA6T 94V-0; LP-LCP 94V-0
- Planting Category: SN-Bright tin plating; SW-Matte Tin plating
- Color: Blank-natural color



Recommended P.C.B Layout
General Tolerance±0.05

For and on behalf of
XKB INDUSTRIAL PRECISION CO., LIMITED
香港星坤工業精密有限公司



MARK	DESCRIPTION	DATE	REVISID	APPROVED	UNSPCIFIED TOLERANCES
△ X					L > 63
△ X					16 > L ≤ 63
△ X					4 < L ≤ 16
△ X					L ≤ 4
					ANGULAR
					±5°

PART NO	Material	Material(Pin)	Finish(Pin)	Suitable XKB Terminal
X9821WR-XX-46SN	PA46 UL 94V-0	Brass	Tin-Plated	X9821H
X9821WR-XX-N0SN	PA66 UL 94V-0			
PA6T UL 94V-0				

Poles	Dimensions(mm)		
	A	B	C
02	1.25	4.25	3.15
03	2.50	5.50	4.40
04	3.75	6.75	5.65
05	5.00	8.00	6.90
06	6.25	9.25	8.15
07	7.50	10.50	9.40
08	8.75	11.75	10.65
09	10.00	13.00	11.90
Poles			
Dimensions(mm)			
A	B	C	
10	11.25	14.25	13.15
11	12.50	15.50	14.40
12	13.75	16.75	15.65
13	15.00	18.00	16.90
14	16.25	19.25	18.15
15	17.50	20.50	19.40
16	18.75	21.75	20.65

- Specifications :
- Voltage rating: 125V AC / DC
 - Current rating: 1A AC / DC
 - Withstanding voltage: 250V AC/minute
 - Temperature range: -25°C~+85°C
 - Insulation resistance: ≥100MΩ
 - Contact resistance: <20mΩ
 - After environmental testing: ≤40mΩ

X9821 W R X-XX X-XX SN XX
① ② ③ ④ ⑤ ⑥ ⑦ ⑧ ⑨

- ① Series No.
- ② Category: W-water
- ③ Welding Board Angle: R- Right Angle 90°
- ④ Welding Way: Blank-DIP
- ⑤ Row No.-Pin No.: XX-02P~16P
- ⑥ Plug the Pin & Special No.:
- ⑦ Material: 46-PA46 94V-0 ; NO-PA66 94V-0 ; 6T-PA6T 94V-0
- ⑧ Planting Category: SN-Bright tin plating ; SW-MatteTin plating
- ⑨ Color: Blank-natural color

DSND	DATE	SCALE: N/A	MODEL TYPE: X9821WR-XX-XXSN
APPD	DATE <td>SIZE: A4</td> <td></td>	SIZE: A4	
CHKD	DATE <td>UNIT: mm</td> <td>DWG NO.:</td>	UNIT: mm	DWG NO.:
DWN	DATE <td>VIEW: </td> <td>PART NO.:</td>	VIEW:	PART NO.:
			1.25mm Crimp Style Connectors
			WEIGHT 1.0g
			SHEET 1/1
			REVISION A0

XKB INDUSTRIAL PRECISION CO., LIMITED

REVISIONS
Authorized Signatures(s)

For and on behalf of
XKB INDUSTRIAL PRECISION CO., LIMITED
 香港星洲工業精密有限公司

REVISIONS
 Authorized Signatures(s)

MARK	DESCRIPTION	DATE	REVISED	APPROVED	UNSPECIFIED TOLERANCES
△ X					L > 63
△ X					16 > L ≤ 63
△ X					4 < L ≤ 16
					L ≤ 4
					ANGULAR
					±5°

REVISION	SHEET	WEIGHT	1/1	1.0g	8
A0					

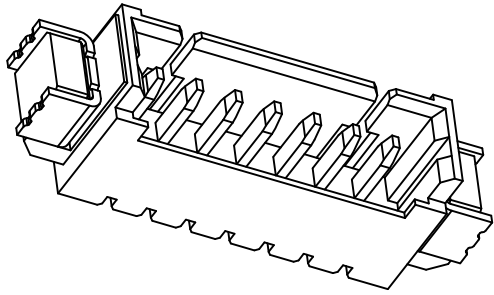
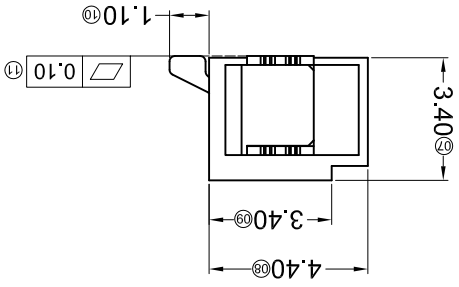
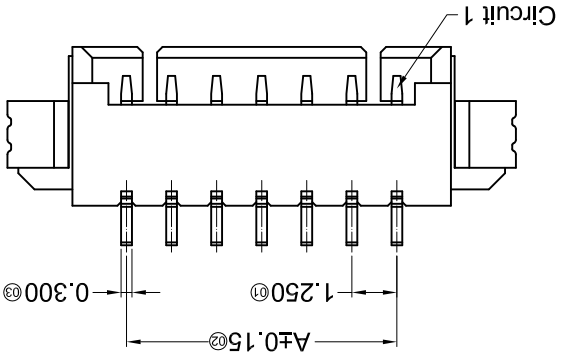
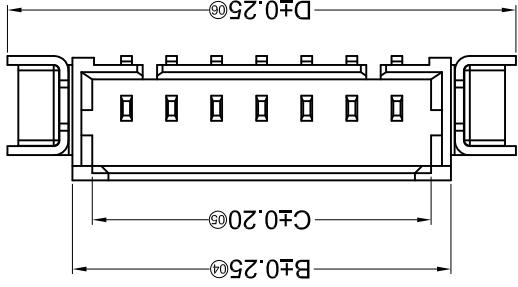
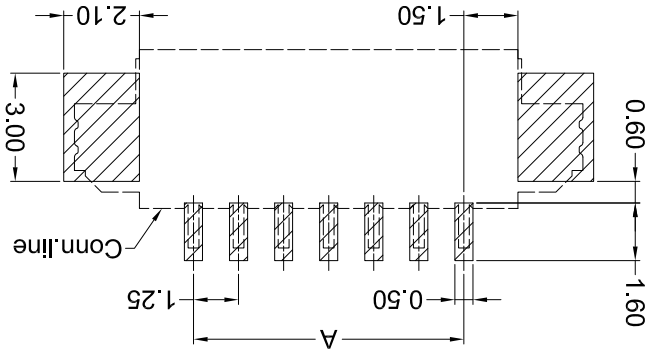
DATE	SCALE: N/A	MODEL TYPE: X9821WRS-XXA-LPSN

DATE	VIEW:	PART NO.:

DATE	UNIT: mm	DWG NO.:

DATE	SIZE: A4	XKB INDUSTRIAL PRECISION CO., LIMITED

Recommended P.C.B Layout
 General Tolerance±0.05



Poles	Dimensions(mm)		
	A	B	C
02	1.25	4.25	3.15
03	2.50	5.50	4.40
04	3.75	6.75	5.65
05	5.00	8.00	6.90
06	6.25	9.25	8.15
07	7.50	10.50	9.40
08	8.75	11.75	10.65
09	10.00	13.00	11.90

Poles	Dimensions(mm)		
	A	B	C
02	11.25	14.25	11.25
03	12.50	15.50	12.50
04	13.75	16.75	13.75
05	15.00	18.00	15.00
06	16.25	19.25	16.25
07	17.50	20.50	17.50
08	18.75	21.75	18.75
09	20.00	23.00	20.00

PART NO	Material	Finish(Pin)	Material (Solder Tabs)	Finish (Solder Tabs)	Suitable XKB Terminal
X9821WRS-XXA-LPSNH	LCP UL 94V-0 Halogen Free	Tin-Plated	Phosphor Bronze	Tin-Plated	X9821H
X9821WRS-XXA-LPSN	LCP UL 94V-0	Tin-Plated	Phosphor Bronze	Tin-Plated	X9821H

- ① Series No.
- ② Category: W-water
- ③ Welding Board Angle: R- Right Angle 90°
- ④ Welding Way: S-SMT
- ⑤ Row No.-Pin No.: XX-02P~16P
- ⑥ Plug the Pin & Special No.: A-All ear clip
- ⑦ Material: LP-LCP 94V-0
- ⑧ Planting Category: SN-Bright tin plating
- ⑨ HF-Halogen Free

X9821 W R S-XX A-LP SN HF

- Specifications :
- Voltage rating: 125V AC / DC
 - Current rating: 1A AC / DC
 - Withstanding voltage: 250V AC/minute
 - Temperature range: -25°C~+85°C
 - Insulation resistance: ≥100MΩ
 - Contact resistance: ≤20mΩ
 - After environmental testing: ≤40mΩ

For and on behalf of
XKB INDUSTRIAL PRECISION CO., LIMITED
 香港星洲工業精密有限公司

REVISIONS
 Authorized Signatures(s)

MARK	DESCRIPTION	DATE	REVISED	APPROVED	UNSPECIFIED TOLERANCES
△X					±0.5
△X					16 < L ≤ 63
△X					4 < L ≤ 16
△X					L ≤ 4
					ANGULAR ±5°

REVISION	SHEET	WEIGHT	1.0g	8
A0	1/1			

DATE	DATE	DATE	DATE	DATE	DATE	DATE	DATE

VIEW	VIEW	VIEW	VIEW	VIEW	VIEW	VIEW	VIEW

UNIT	UNIT	UNIT	UNIT	UNIT	UNIT	UNIT	UNIT

SIZE	SIZE	SIZE	SIZE	SIZE	SIZE	SIZE	SIZE

DATE	DATE	DATE	DATE	DATE	DATE	DATE	DATE

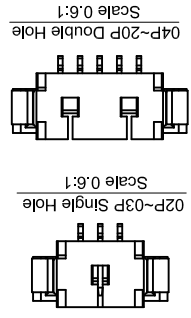
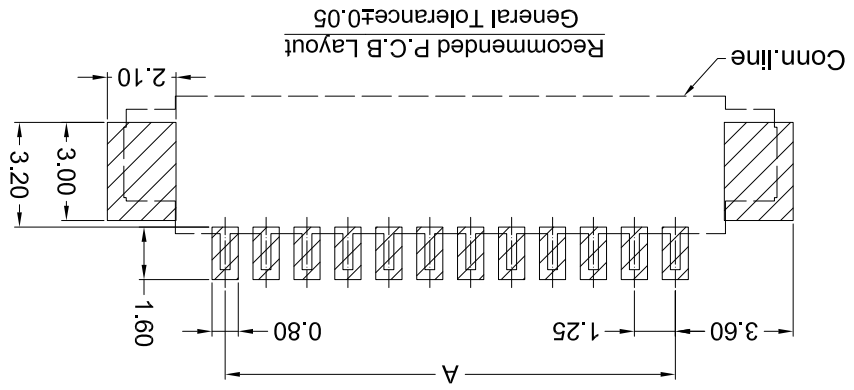
DATE	DATE	DATE	DATE	DATE	DATE	DATE	DATE

DATE	DATE	DATE	DATE	DATE	DATE	DATE	DATE

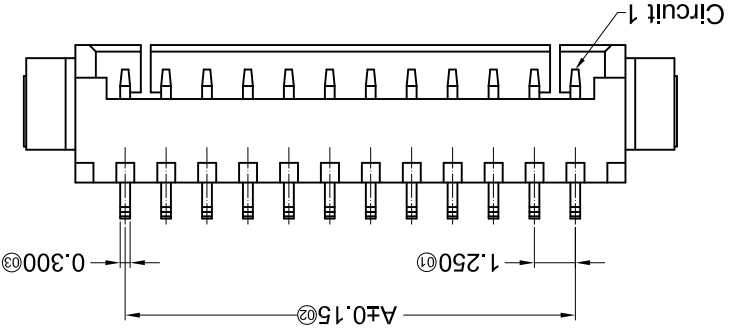
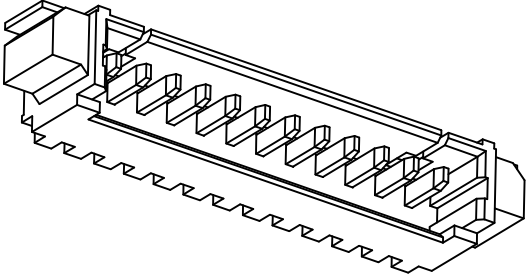
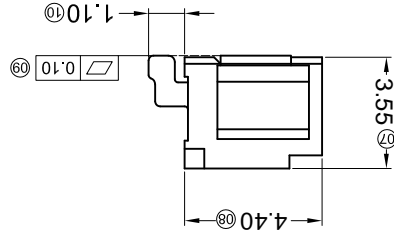
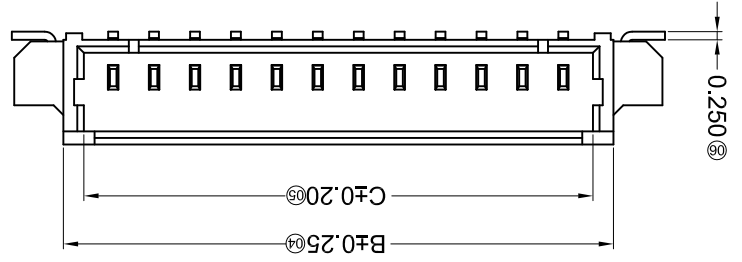
DATE	DATE	DATE	DATE	DATE	DATE	DATE	DATE

DATE	DATE	DATE	DATE	DATE	DATE	DATE	DATE

PART NO	Material	Material(Pin)	Finish(Pin)	Material (Solder Tabs)	Finish (Solder Tabs)	Material (Solder Tabs)	Finish (Solder Tabs)	Suitable XKB Terminal
X9821WRS-XX-9TSN	Nylon 9T UL 94V-0	Brass	Tin-Plated	Brass	Tin-Plated	Brass	Tin-Plated	X9821H



Poles	Dimensions(mm)											
	A	B	C	Poles	A	B	C	Poles	A	B	C	
02	1.25	4.25	3.05		12	13.75	16.75		15.55	16.80	18.00	17.25
03	2.50	5.50	4.30	13	15.00	18.00	16.80	18.05	19.25	18.25	18.05	
04	3.75	6.75	5.55	14	16.25	19.25	18.05	19.30	20.50	19.25	18.05	
05	5.00	8.00	6.80	15	17.50	20.50	19.30	20.55	21.75	20.50	19.30	
06	6.25	9.25	8.05	16	18.75	21.75	20.55	21.80	23.00	21.75	20.55	
07	7.50	10.50	9.30	17	20.00	23.00	21.80	21.80	24.25	23.00	21.80	
08	8.75	11.75	10.55	18	21.25	24.25	23.05	23.05	25.50	24.25	23.05	
09	10.00	13.00	11.80	19	22.50	25.50	24.30	24.30	26.75	25.50	24.30	
10	11.25	14.25	13.05	20	23.75	26.75	25.55	25.55				
11	12.50	15.50	14.30									



Specifications :

- Voltage rating: 125V AC / DC
- Current rating: 1A AC / DC
- Withstanding voltage: 250V AC/minute
- Temperature range: -25°C~+85°C
- Insulation resistance: ≥100MΩ
- Contact resistance: ≤20mΩ
- After environmental testing: ≤40mΩ

X9821 WRS - XX X - 9T SN XX

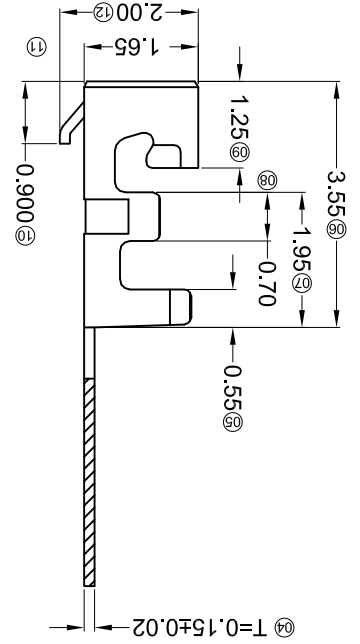
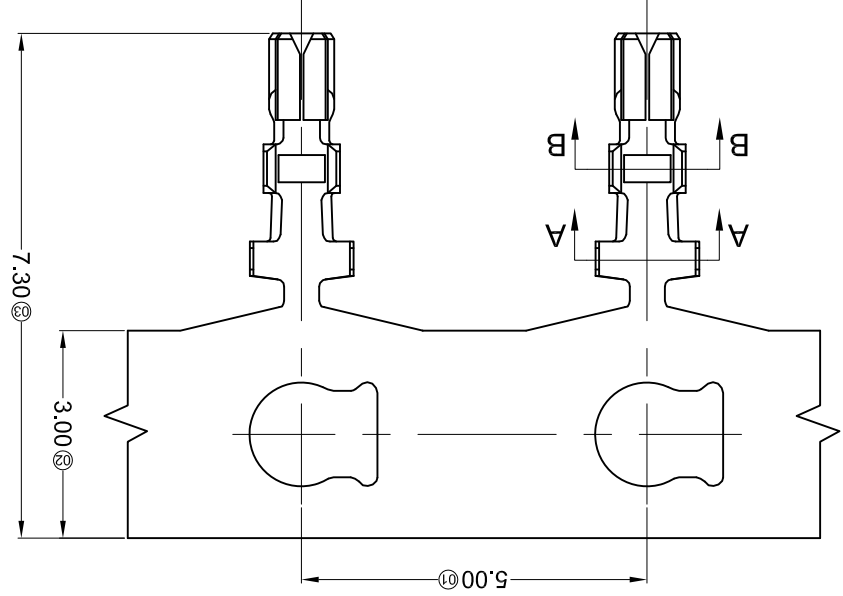
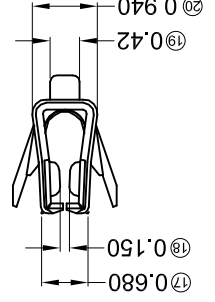
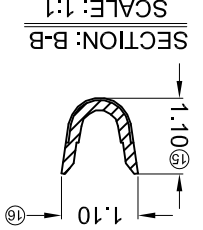
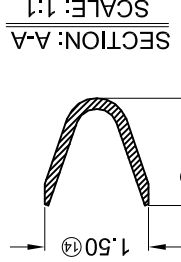
- Series No.
- Category: W-wafer
- Welding Board Angle: R-Right Angle 90°
- Welding Way: S-SMT
- Row No.-Pin No.: XX-02P~20P
- Plug the Pin & Special NO.
- Material: 9T-PA9T 94V-0
- Planting Category: SN-Bright tin plating
- Color: Blank-natural color

For and on behalf of
XKB INDUSTRIAL PRECISION CO., LIMITED
 香港星坤工業精密有限公司

MARK	DESCRIPTION	DATE	REVISED	APPROVED	UNSPECIFIED TOLERANCES	
					L > 63	± 0.5
△ X					16 < L ≤ 63	± 0.4
△ X					4 < L ≤ 16	± 0.3
△ X					L ≤ 4	± 0.2
					ANGULAR	± 5°

REVISED SIGNATURE(S)		XKB INDUSTRIAL PRECISION CO., LIMITED	
DATE	APPROVED	DATE	APPD
REVISIONS		SIZE: A4	
		UNIT: mm	
		VIEW:	
		SCALE: N/A	
		MODEL TYPE: X9821T-PXXX-A	
		PART NO.:	
		DWG NO.:	
		WEIGHT: 1.0g	
		SHEET: 1/1	
		REVISION: A0	

PART NO	Material	Wire Range	Insulation O.D.	Finish	Suitable XKB
X9821T-PV0-1A	Phosphor Bronze	AWG#28-32	1.00mm(Max)	Stamping Before Plating:30u" Ni/Whole Gold :Gold Flash	X9821H-2*XX
X9821T-PSN-A				Stamping Before Plating:30u" Min Ni:70"Sn Min	



- X9821 T X-P XX X-A
- ① Series Number
 - ② Category: T-terminal
 - ③ Shape: Blank-ordinary
 - ④ Material: P-Phosphor bronze
 - ⑤ Plating style: SN-Bright tin plating ;
 - ⑥ V01-All Gold Flash
 - ⑦ Plating method:
 - ⑧ Blank-Stamping before plating
 - ⑨ Mold No./Mark/Special No.
 - ⑩ A-Mate with 9821H-2*XX

- Specifications :
- Voltage rating: 125V AC / DC
 - Current rating: 1A AC / DC
 - Withstanding voltage: 250V AC/minute
 - Temperature range: -25°C~+85°C
 - Insulation resistance: ≥100MΩ
 - Contact resistance: ≤20mΩ
 - After environmental testing: ≤40mΩ

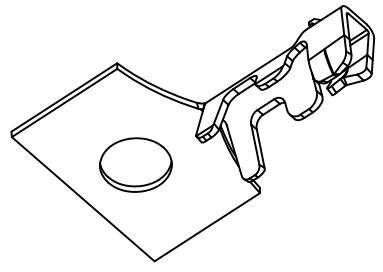
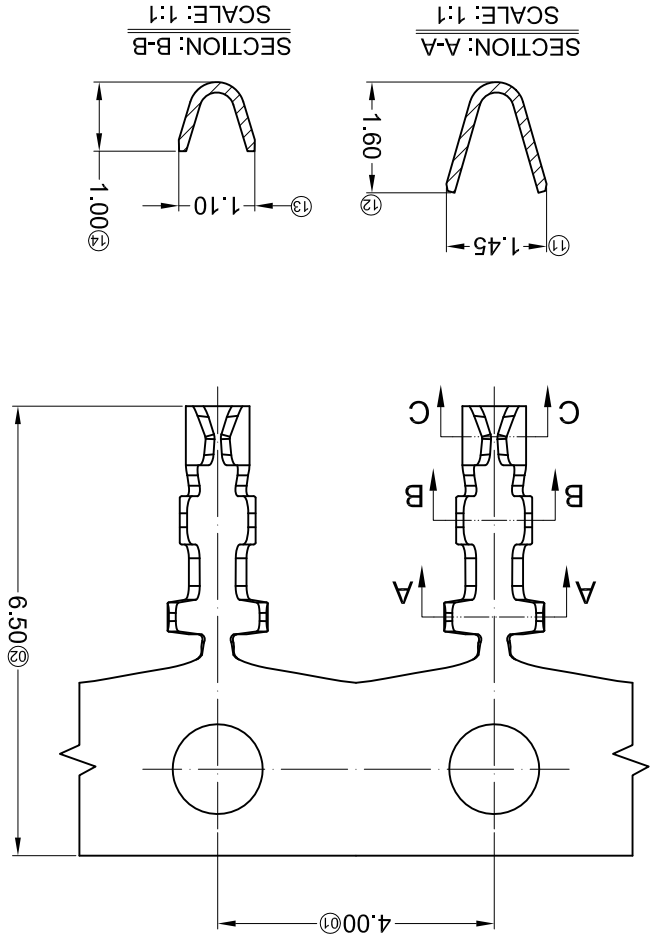
For and on behalf of
XKB INDUSTRIAL PRECISION CO., LIMITED
 香港星坤工業精密有限公司

REVISIONS
 Authorized Signature(s)

MARK	DESCRIPTION	DATE	REVISED	APPROVED	UNSPECIFIED TOLERANCES
△ X					L > 63 ± 0.5
△ X					16 < L ≤ 63 ± 0.4
△ X					4 < L ≤ 16 ± 0.3
△ X					L ≤ 4 ± 0.2
					ANGULAR ± 5°

DATE	SCALE: N/A	MODEL TYPE: X9821T-PXX	DSND	DATE	SCALE: N/A	VIEW:	DWN	DATE	UNIT: mm	SIZE: A4	WEIGHT: 1.0g	SHEET: 1/1	REVISION: A0
			CHKD										
			APPD										

PART NO	Material	Wire Range	Insulation O.D.	Finish	Suitable XKB
X9821T-PSN2	Phosphor Bronze	AWG#28-32	1.00mm(Max)	Stamping Before Plating: 50u" Min. Ni: 70u" Sn Min.	X9821H
X9821T-PV01				Stamping Before Plating: 30u" Min. Ni: Whole Gold; Gold Flash	
X9821T-PSN				Stamping Before Plating: 30u" Min. Ni: 70u" Sn Min.	



- Specifications :
- Voltage rating: 125V AC / DC
 - Current rating: 1A AC / DC
 - Withstanding voltage: 250V AC/minute
 - Temperature range: -25°C~+85°C
 - Insulation resistance: ≥100MΩ
 - Contact resistance: ≤20mΩ
 - After environmental testing: ≤40mΩ

- X9821 T X-P XX X-X
- Series Number
 - Category: T-terminal
 - Shape: Blank-ordinary
 - Material: P-Phosphor bronze
 - Plating style: V01-Gold Flash ; SN-Bright tin plating
 - Plating method: Blank-Stamping before plating
 - Mold No./Mark/Special No.

For and on behalf of
XKB INDUSTRIAL PRECISION CO., LIMITED
 香港星洲工業精密有限公司

REVISIONS
 Authorized Signature(s)

MARK	DESCRIPTION	DATE	REVISED	APPROVED	UNSPECIFIED TOLERANCES
△ X					L > 63 ± 0.5
△ X					16 < L ≤ 63 ± 0.4
△ X					4 < L ≤ 16 ± 0.3
△ X					L ≤ 4 ± 0.2
					ANGULAR ± 5°

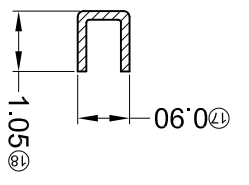
REVISION	SHEET	WEIGHT	SIZE: A4	DATE	DATE	DATE	DATE
A0	1/1	1.0g					

XKB INDUSTRIAL PRECISION CO., LIMITED

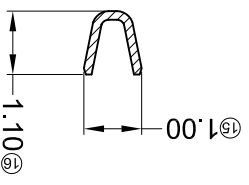
APPD	CHKD	DWN	DSND

UNIT: mm	VIEW:	SCALE: N/A
DWG NO.: 1.25mm Crimp Style Connectors	PART NO.: X9821TM-PXX	MODEL TYPE: X9821TM-PXX

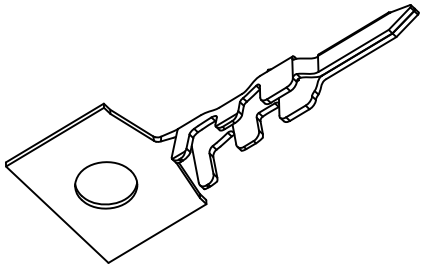
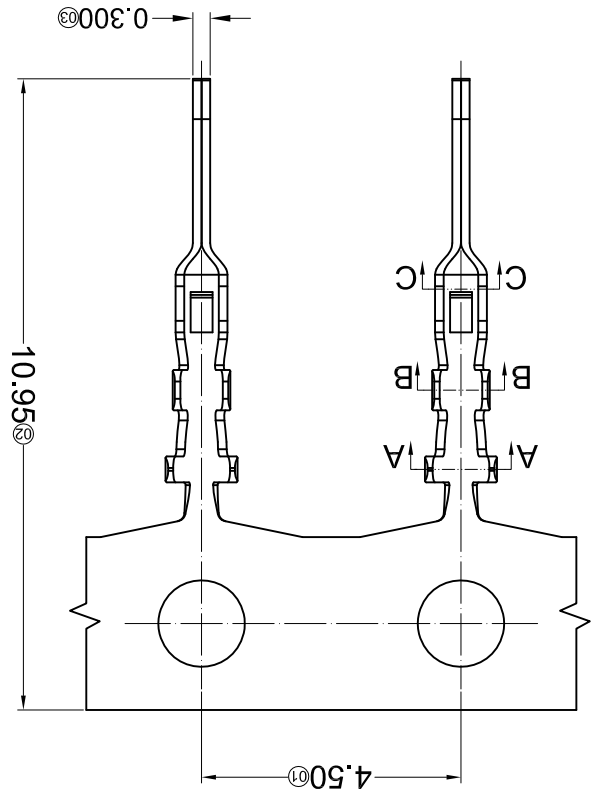
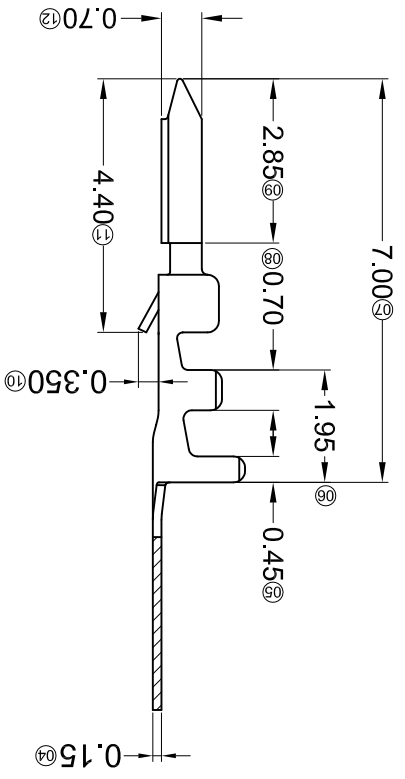
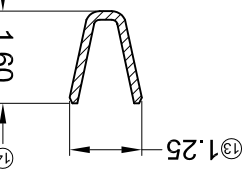
SECTION: C-C
 SCALE: 1:1



SECTION: B-B
 SCALE: 1:1



SECTION: A-A
 SCALE: 1:1



- Specifications:**
- Voltage rating: 125V AC / DC
 - Current rating: 1A AC / DC
 - Withstanding voltage: 250V AC/minute
 - Temperature range: -25°C~+85°C
 - Insulation resistance: ≥100MΩ
 - Contact resistance: ≤20mΩ
 - After environmental testing: ≤40mΩ
- X9821 T M-P XX X-X**
- ① Series Number
 ② Category: T-terminal
 ③ Shape: M-male
 ④ Material: P-Phosphor bronze
 ⑤ Plating style: V01-Gold Flash; SN-Bright tin plating
 ⑥ Plating method: Blank-Stamping before plating
 ⑦ Mold No./Mark/Special No.

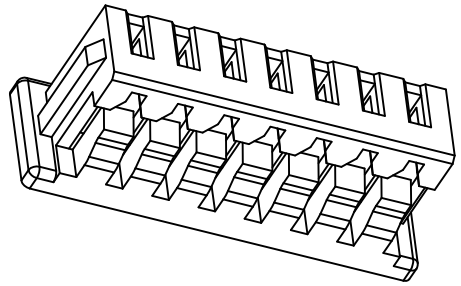
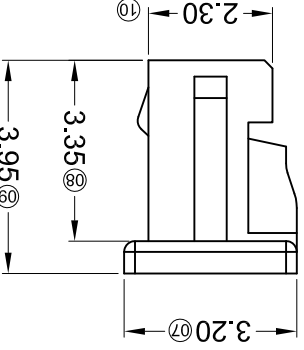
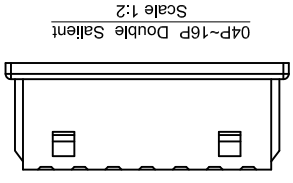
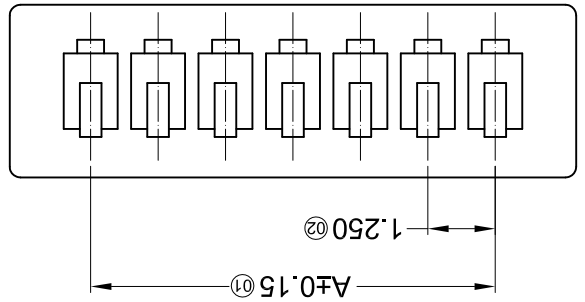
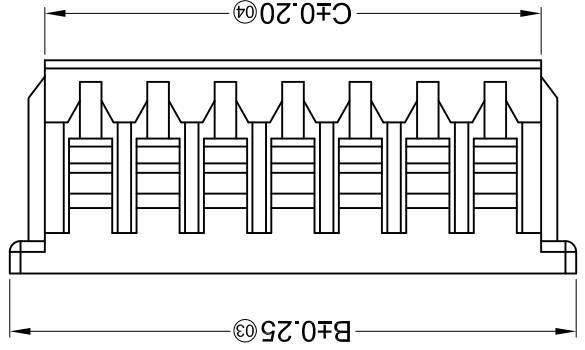
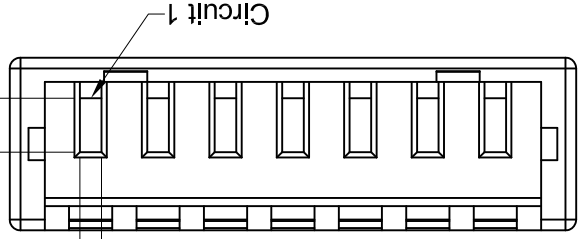
PART NO	Material	Wire Range	Insulation O.D.	Finish	Suitable XKB
X9821TM-PV01	Phosphor Bronze	AWG#26-32	1.00mm(Max)	Stamping Before Plating:30u" Min N/Whole Gold	X9821HF
X9821TM-PSN				Stamping Before Plating:30u" Min N/ 70u"Sn Min	

For and on behalf of
XKB INDUSTRIAL PRECISION CO., LIMITED
 香港星洲工業精密有限公司

REVISIONS
 Authorized Signatures(s)

MARK	DESCRIPTION	DATE	REVISED	APPROVED	UNSPECIFIED TOLERANCES
△ X					L > 63
△ X					16 < L ≤ 63
△ X					4 < L ≤ 16
△ X					L ≤ 4
					ANGULAR
					±5°

DSND	DATE	SCALE: N/A	MODEL TYPE: X9821H-XXA-XXXX
DWN	DATE <td>VIEW: </td> <td>PART NO.:</td>	VIEW:	PART NO.:
CHKD	DATE <td>UNIT: mm</td> <td>DWG NO.:</td>	UNIT: mm	DWG NO.:
APPD	DATE <td>SIZE: A4</td> <td>WEIGHT 1.0g</td>	SIZE: A4	WEIGHT 1.0g
			SHEET 1/1
			REVISION A0



PART NO	Material	Suitable XKB Terminal
X9821H-XXA-PT	PBT UL 94V-0	Suitable XKB Terminal
X9821H-XXA-N0HF	Nylon 66 UL 94V-0 Halogen-Free	Suitable XKB Terminal
X9821H-XXA-N0	Nylon 66 UL 94V-0	Suitable XKB Terminal

Poles	Dimensions(mm)		
	A	B	C
02	1.25	4.25	2.95
03	2.50	5.50	4.20
04	3.75	6.75	5.45
05	5.00	8.00	6.70
06	6.25	9.25	7.95
07	7.50	10.50	9.20
08	8.75	11.75	10.45
09	10.00	13.00	11.70
Poles			
A			
B			
C			
Dimensions(mm)			
02	12.95	14.25	11.25
03	14.20	15.50	12.50
04	15.45	16.75	13.75
05	16.70	18.00	15.00
06	17.95	19.25	16.25
07	19.20	20.50	17.50
08	20.45	21.75	18.75
09	21.70	23.00	20.00

- ① Series No.
- ② Category: H-HSG
- ③ Welding Board Angle: Blank-ordinary
- ④ Row No./Pin No.: XX-02P~16P
- ⑤ Plug the Pin & special No.: A-No Gap
- ⑥ Material: N0-PA66 94V-0; PT-PBT UL 94V-0
- ⑦ HF-Halogen free

X9821 H X-XX A-XX HF

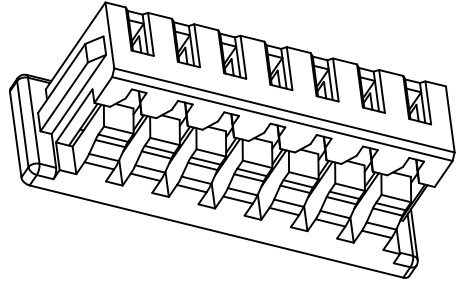
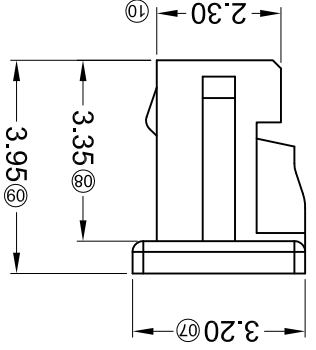
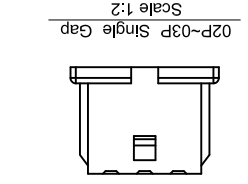
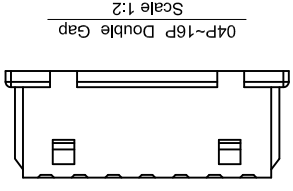
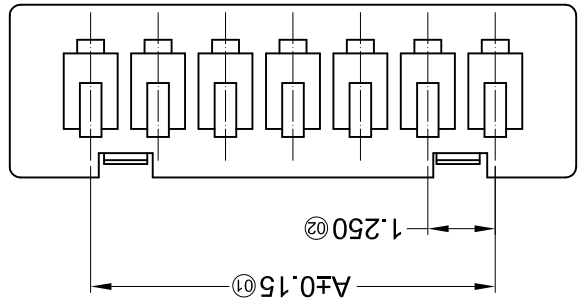
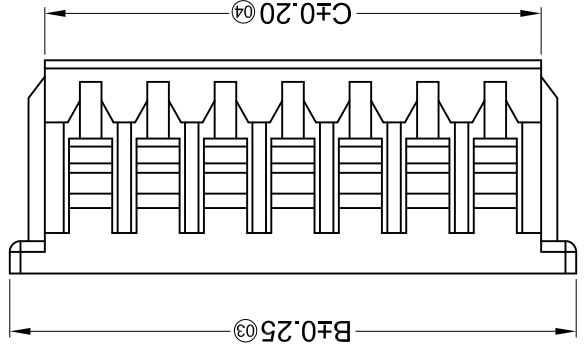
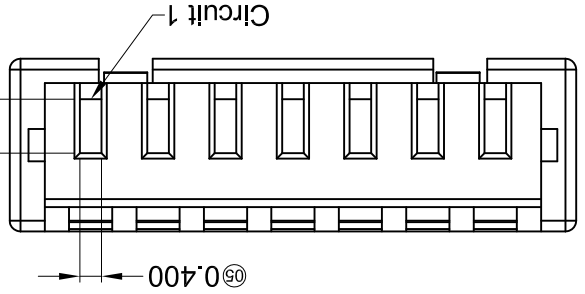
- Specifications :
- Voltage rating: 125V AC / DC
 - Current rating: 1A AC / DC
 - Withstanding voltage: 250V AC/minute
 - Temperature range: -25°C~+85°C
 - Insulation resistance: ≥100MΩ
 - Contact resistance: ≤20mΩ
 - After environmental testing: ≤40mΩ

For and on behalf of
XKB INDUSTRIAL PRECISION CO., LIMITED
 香港星洲工業精密有限公司

REVISIONS
 Authorized Signatures(s)

MARK	DESCRIPTION	DATE	REVISED	APPROVED	UNSPECIFIED TOLERANCES
△ X					L > 63
△ X					16 < L ≤ 63
△ X					4 < L ≤ 16
△ X					L ≤ 4
					ANGULAR
					± 5°

DATE	SCALE: N/A	MODEL TYPE: X9821H-XXXX-XXXX	DWNS	DATE	VIEW:	PART NO.:	CHKD	DATE	UNIT: mm	SIZE: A4	WEIGHT	SHEET	REVISION
											1.0g	1/1	A0



PART NO	Material	Suitable XKB Terminal	Suitable XKB Terminal
X9821H-XX-N0	Nylon 66 UL 94V-0		Suitable XKB Terminal
X9821H-XX-N0HF	Nylon 66 UL 94V-0 Halogen-Free		X9821T
X9821H-XX-PT	PBT UL 94V-0		X9821W

Poles	Dimensions(mm)			Poles	Dimensions(mm)		
	A	B	C		A	B	C
02	1.25	4.25	2.95	10	11.25	14.25	12.95
03	2.50	5.50	4.20	11	12.50	15.50	14.20
04	3.75	6.75	5.45	12	13.75	16.75	15.45
05	5.00	8.00	6.70	13	15.00	18.00	16.70
06	6.25	9.25	7.95	14	16.25	19.25	17.95
07	7.50	10.50	9.20	15	17.50	20.50	19.20
08	8.75	11.75	10.45	16	18.75	21.75	20.45
09	10.00	13.00	11.70				

- ① Series No. X9821 H X-XX XX-N0 HF
 ② Category: H-HSG
 ③ Welding Board Angle: Blank-ordinary
 ④ Row No./Pin No.: XX-02P~16P
 ⑤ Plug the Pin & special No.:
 ⑥ Material: N0-PA66 94V-0; PT-PBT UL 94V-0
 ⑦ HF-Halogen free

- Specifications:
- Voltage rating: 125V AC / DC
 - Current rating: 1A AC / DC
 - Withstanding voltage: 250V AC/minute
 - Temperature range: -25°C~+85°C
 - Insulation resistance: ≥100MΩ
 - Contact resistance: ≤20mΩ
 - After environmental testing: ≤40mΩ

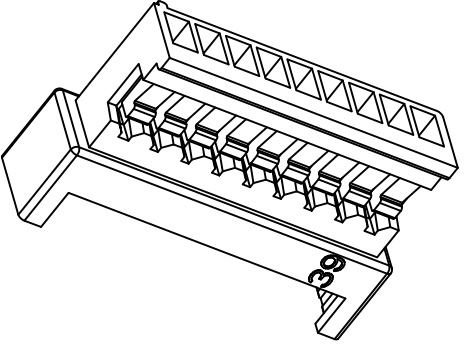
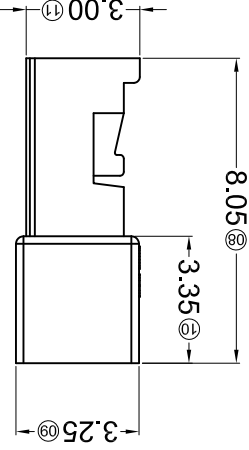
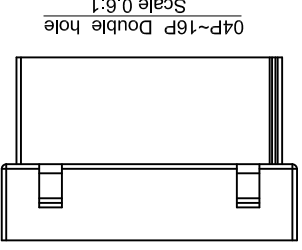
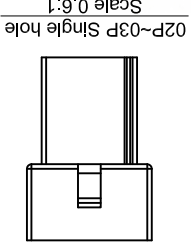
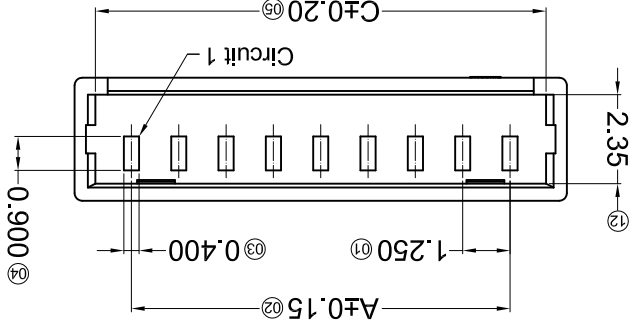
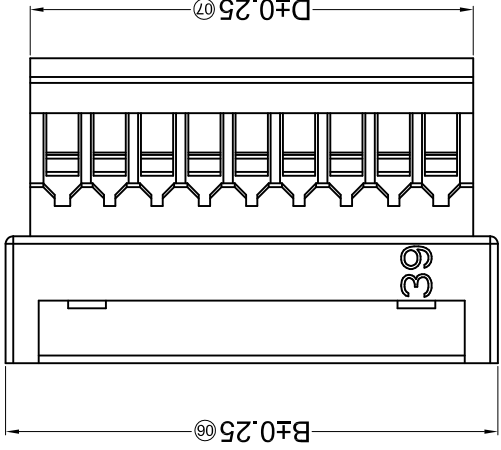
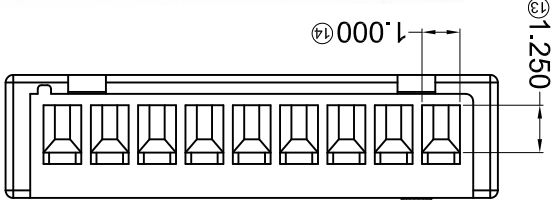
For and on behalf of
XKB INDUSTRIAL PRECISION CO., LIMITED
 香港星坤工業精密有限公司

REVISIONS
 Authorized Signature(s)

MARK	DESCRIPTION	DATE	REVISED	APPROVED	UNSPECIFIED TOLERANCES
△ X					L > 63
△ X					16 < L ≤ 63
△ X					4 < L ≤ 16
△ X					L ≤ 4
					ANGULAR
					±5°

DSND	DATE	SCALE: N/A	MODEL TYPE: X9821HF-XX-N0XX
APPD	DATE <td>SIZE: A4</td> <td></td>	SIZE: A4	
CHKD	DATE <td>UNIT: mm</td> <td>DWG NO.:</td>	UNIT: mm	DWG NO.:
DWN	DATE <td>VIEW: </td> <td>PART NO.:</td>	VIEW:	PART NO.:
			1.25mm Crimp Style Connectors

REVISION	SHEET	WEIGHT	1.0g
A0	1/1		



PART NO	Material	Suitable XKB Terminal	Suitable XKB Terminal
X9821HF-XX-PT	PBT UL 94V-0	X9821TM	X9821H
X9821HF-XX-N0HF	Nylon 66 UL 94V-0 Halogen-free		
X9821HF-XX-N0	Nylon 66 UL 94V-0		

Poles	Dimensions(mm)			
	A	B	C	D
02	1.25	4.25	3.15	2.95
03	2.50	5.50	4.40	4.20
04	3.75	6.75	5.65	5.45
05	5.00	8.00	6.90	6.70
06	6.25	9.25	8.15	7.95
07	7.50	10.50	9.40	9.20
08	8.75	11.75	10.65	10.45
09	10.00	13.00	11.90	11.70
				16
				15
				14
				13
				12
				11
				10
				9
				8
				7
				6
				5
				4
				3
				2
				1

- ① Series No.
- ② Category: H-HSG
- ③ Welding Board Angle: F-Female HSG
- ④ Row No.-Pin No.: XX-02P~16P
- ⑤ Plug the Pin & special No.:
- ⑥ Material: N0-PA66 94V-0; PT-PBT UL 94V-0
- ⑦ HF-Halogen free

X9821 H F-XX X-N0 HF
 ① ② ③ ④ ⑤ ⑥ ⑦

- Voltage rating: 125V AC / DC
- Current rating: 1A AC / DC
- Withstanding voltage: 250V AC/minute
- Temperature range: -25°C~+85°C
- Insulation resistance: ≥100MΩ
- Contact resistance: ≤20mΩ
- After environmental testing: ≤40mΩ

■ Specifications :

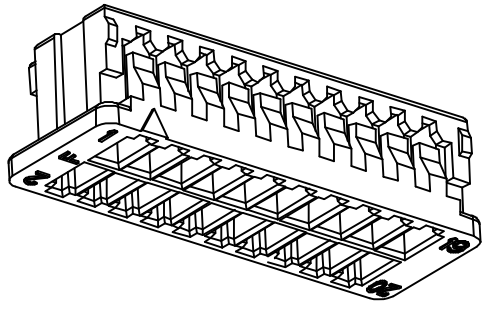
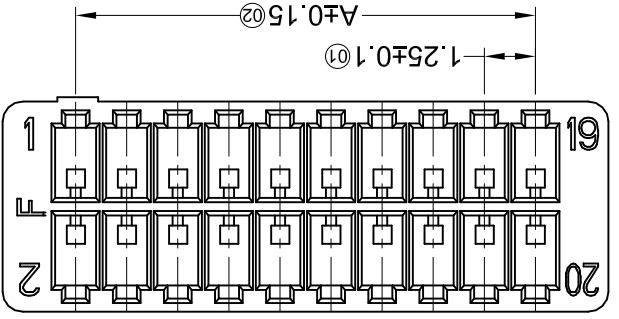
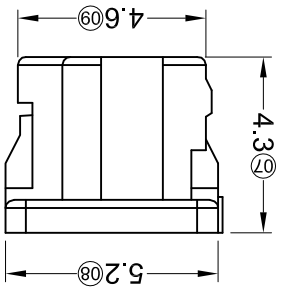
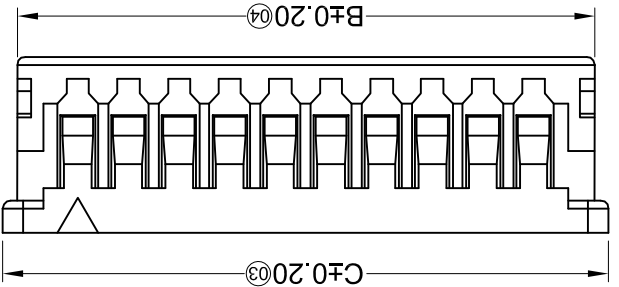
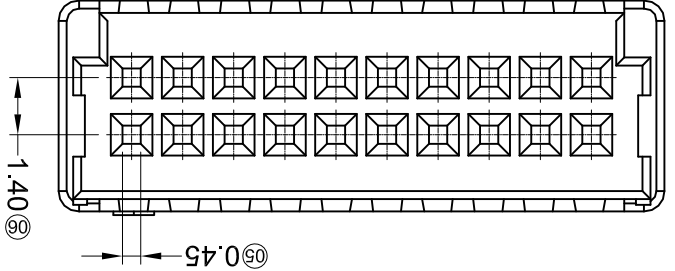
For and on behalf of
XKB INDUSTRIAL PRECISION CO., LIMITED
 香港星坤工業精密有限公司

REVISIONS
 Authorized Signature(s)

MARK	DESCRIPTION	DATE	REVISD	APPROVED	UNSPECIFIED TOLERANCES
△ X					L > 63 ±0.5
△ X					16 < L ≤ 63 ±0.4
△ X					4 < L ≤ 16 ±0.3
△ X					L ≤ 4 ±0.2
					ANGULAR ±5°

REVISION	SHEET	WEIGHT	SIZE	DATE	APPD
A0	1/1	1.0g	A4		

DATE	SCALE	MODEL TYPE	VIEW	UNIT	DATE	CHKD	DWG NO.:
	N/A	X9821H-2*XX-N0	VIEW:	mm			1.25mm Crimp Style Connectors
							PART NO.:



Poles	Dimensions(mm)		
	A	B	C
2*05	5.00	8.00	8.70
2*10	11.25	14.25	14.95
2*15	17.50	20.50	21.20
2*20	23.75	26.75	27.45

- ① Series No.
- ② Category: H-HSG
- ③ Welding Board Angle: Blank-ordinary
- ④ Row No.-Pin No.: 2*XX-02P~16P
- ⑤ Plug the Pin & special No.:
- ⑥ Material: NO-PA66 94V-0;
- ⑦ Color: Blank-natural color

X9821 H X-2*XX XX-N0 XX

- Voltage rating: 125V AC / DC
- Current rating: 1A AC / DC
- Withstanding voltage: 250V AC/minute
- Temperature range: -25°C~+85°C
- Insulation resistance: ≥100MΩ
- Contact resistance: ≤20mΩ
- After environmental testing: ≤40mΩ

■ Specifications :

X-ON Electronics

Largest Supplier of Electrical and Electronic Components

Click to view similar products for [Headers & Wire Housings](#) category:

Click to view products by [XKB](#) manufacturer:

Other Similar products are found below :

[95000-104TRLF](#) [10135584-644402LF](#) [DF62W-EP2022PCA](#) [95000-106TRLF](#) [DF62W-2022SCA](#) [DF62W-EP2022PC](#) [2203348](#) [DF62W-2022SC](#) [1084018](#) [1029039](#) [1084017](#) [802-10-012-10-002000](#) [1112640](#) [1112639](#) [891-007-9SS-BST1T](#) [000-34000](#) [0008550134](#) [0009482033](#) [0009507031](#) [57102-F02-18ULF](#) [57102-S06-03LF](#) [57202-S52-04LF](#) [PCN6-15S-2.5E](#) [0039019024](#) [58102-G61-06LF](#) [582553-1](#) [0009485154](#) [0009508121](#) [0022285053](#) [0050291907](#) [018731A](#) [LY20-4P-DT1-P1E-BR](#) [02.125.8002.8](#) [60101931](#) [60598-1 \(Cut Strip\)](#) [M1625-3R/100](#) [61062-3](#) [61082-181009](#) [CSU011177004](#) [636-1427](#) [638009-1](#) [641938-9](#) [641991-4](#) [644168-1](#) [644827-2](#) [647662-1](#) [65039-019ELF](#) [65692-001LF](#) [65781-018](#) [65781-047](#)