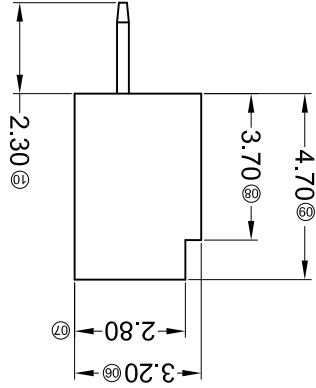
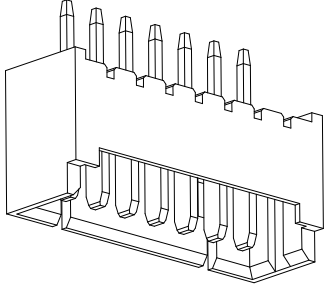
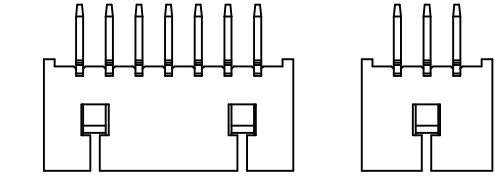


Recommended P.C.B Layout
General Tolerance±0.05

02P~03P Single Gap
Scale 0.6:1

04P~16P Double Gap
Scale 0.6:1



REVISIONS		APPROVED			REVISOR	DATE	DESCRIPTION	MARK
△	X	16 > L ≤ 63	±0.5					
△	X	4 < L ≤ 16	±0.3					
△	X	L ≤ 4	±0.2					
△	X	ANGULAR	±5°					

For and on behalf of
XKB INDUSTRIAL PRECISION CO., LIMITED
香港星洲工業精密有限公司

Authorized Signatures

UNSPECIFIED TOLERANCES		APPROVED	REVISOR	DATE	DESCRIPTION	MARK
L > 63	±0.5					
16 > L ≤ 63	±0.4					
4 < L ≤ 16	±0.3					
L ≤ 4	±0.2					
ANGULAR	±5°					

XKB INDUSTRIAL PRECISION CO., LIMITED		APPD	DATE	DESCRIPTION	MARK
WEIGHT	1.0g				
SHEET	1/1				
REVISION	A0				
SIZE:	A4				
UNIT:	mm				
VIEW:	VIEW: A4				
SCALE:	N/A				
MODEL TYPE:	X9821WV-XX-XXSN				
PART NO.:					
DWG NO.:	1.25mm Crimp Style Connectors				

PART NO	Material	Material(Pin)	Finish(Pin)	Suitable XKB Terminal
9821WV-XX-LPSN	LCP UL 94V-0	Phorphos Bronze	Tin-Plated	X9821H
9821WV-XX-6TSN	PA6T UL 94V-0	Phorphos Bronze	Tin-Plated	X9821H
9821WV-XX-46SN	PA46 UL 94V-0	Phorphos Bronze	Tin-Plated	X9821H
9821WV-XX-N0SN	PA66 UL 94V-0	Phorphos Bronze	Tin-Plated	X9821H

Poles	Dimensions(mm)			Poles	Dimensions(mm)		
	A	B	C		A	B	C
02	1.25	4.25	3.15	10	11.25	14.25	13.15
03	2.50	5.50	4.40	11	12.50	15.50	14.40
04	3.75	6.75	5.65	12	13.75	16.75	15.65
05	5.00	8.00	6.90	13	15.00	18.00	16.90
06	6.25	9.25	8.15	14	16.25	19.25	18.15
07	7.50	10.50	9.40	15	17.50	20.50	19.40
08	8.75	11.75	10.65	16	18.75	21.75	20.65
09	10.00	13.00	11.90				

- Series No.
- Category: W-water
- Welding Board Angle: V- Straight 180°
- Welding Way: Blank-DIP
- Row No.-Pin No.: XX-02P~16P
- Plug the Pin & Special No.:
- Material: 46-PA46 94V-0; NO-PA66 94V-0; 6T-PA6T 94V-0; LP-LCP 94V-0
- Planting Category: SN-Bright tin plating; SW-Matte Tin plating
- Color: Blank-natural color

X9821 W V X-XX X-XX SN XX

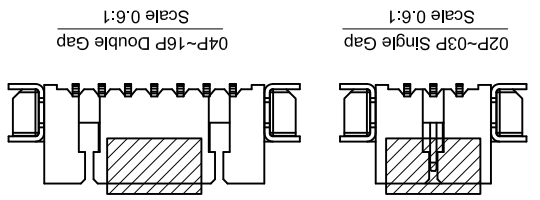
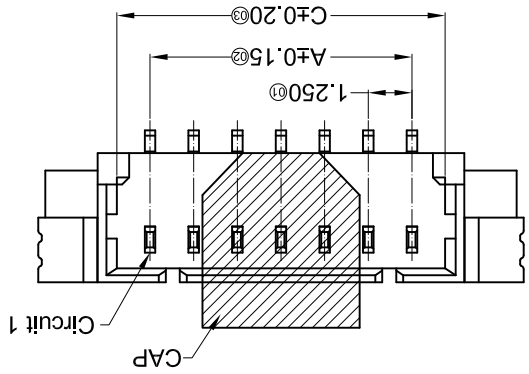
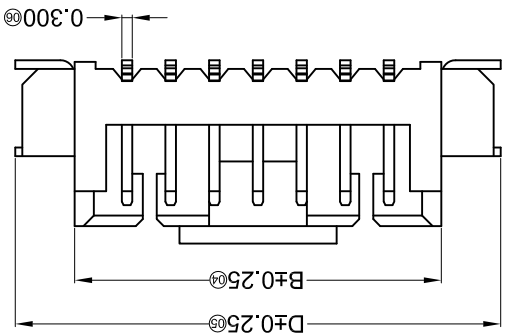
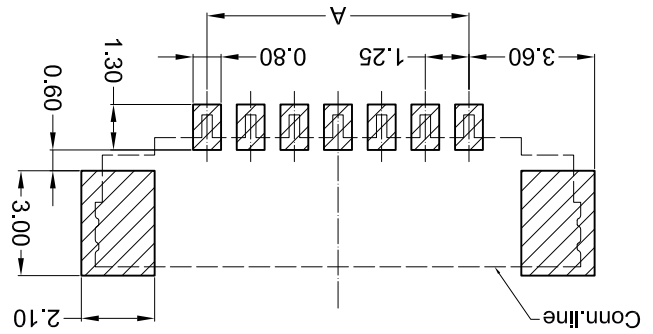
- Specifications :
- Voltage rating: 125V AC / DC
 - Current rating: 1A AC / DC
 - Withstanding voltage: 250V AC/minute
 - Temperature range: -25°C~+85°C
 - Insulation resistance: ≥100MΩ
 - Contact resistance: ≤20mΩ
 - After environmental testing: ≤40mΩ

For and on behalf of
XKB INDUSTRIAL PRECISION CO., LIMITED
 香港星坤工業精密有限公司

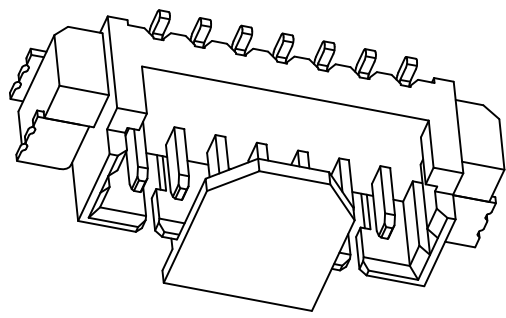
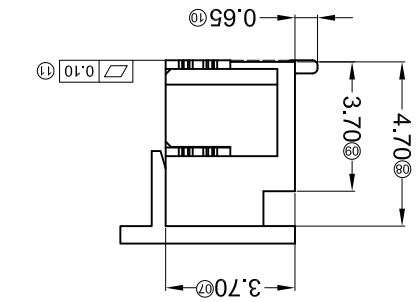
MARK	DESCRIPTION	DATE	REVISED	APPROVED	UNSPECIFIED TOLERANCES	
					L > 63	± 0.5
△ X					16 < L ≤ 63	± 0.4
△ X					4 < L ≤ 16	± 0.3
△ X					L ≤ 4	± 0.2
					ANGULAR	± 5°

REVISIONS		UNSPECIFIED TOLERANCES	
APPD	DATE		
CHKD	DATE		
DWN	DATE		
DSND	DATE		

PART NO	Material	Material(Pin)	Finish(Pin)	(Solder Tabs)	(Solder Tabs)	Suitable XKB Terminal
9821WVS-XXA-LPSN	LCP UL 94V-0	Phosphor Bronze	Tin-Plated	Phosphor Bronze	Tin-Plated	X9821H



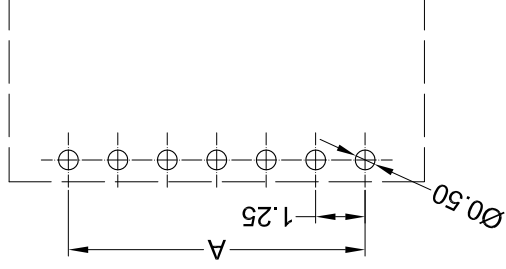
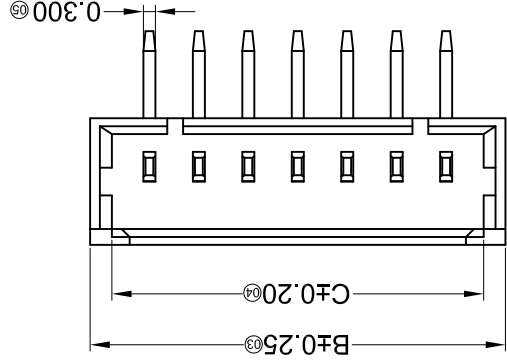
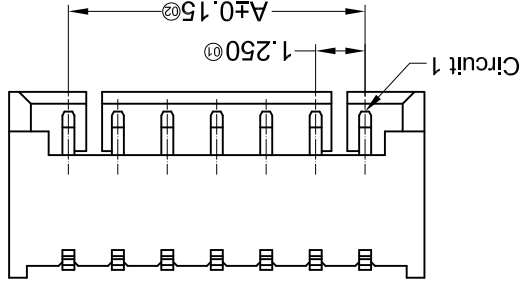
Poles	Dimensions(mm)			
	A	B	C	D
02	1.25	4.25	3.15	7.65
03	2.50	5.50	4.40	8.90
04	3.75	6.75	5.65	10.15
05	5.00	8.00	6.90	11.40
06	6.25	9.25	8.15	12.65
07	7.50	10.50	9.40	13.90
08	8.75	11.75	10.65	15.15
09	10.00	13.00	11.90	16.40



- ① Series No. X9821 W V S-XX A-LP SN XX
 ② Category: W-water
 ③ Welding Board Angle: V- Straight 180°
 ④ Welding Way: S-SMT
 ⑤ Row No.-Pin No.: XX-02P~16P
 ⑥ Plug the Pin & Special No.: A-All Ear clip
 ⑦ Material: LP-LCP 94V-0
 ⑧ Planting Category: SN-Bright tin plating;
 ⑨ Color: Blank-natural color

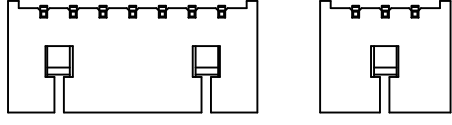
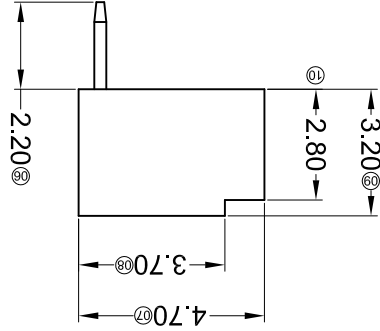
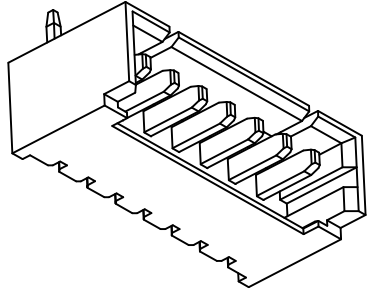
- Specifications:
 • Voltage rating: 125V AC / DC
 • Current rating: 1A AC / DC
 • Withstanding voltage: 250V AC/minute
 • Temperature range: -25°C~+85°C
 • Insulation resistance: ≥100MΩ
 • Contact resistance: ≤20mΩ
 • After environmental testing: ≤40mΩ

MODEL TYPE: X9821WVS-XXA-XXSN
 SCALE: N/A
 PART NO.:
 1.25mm Crimp Style Connectors
 DWG NO.:
 SIZE: A4
 WEIGHT: 1.0g
 SHEET: 1/1
 REVISION: A0



Recommended P.C.B Layout
General Tolerance±0.05

For and on behalf of
XKB INDUSTRIAL PRECISION CO., LIMITED
香港星坤工業精密有限公司



MARK	DESCRIPTION	DATE	REVISED	APPROVED	UNSPECIFIED TOLERANCES
△ X					L > 63
△ X					16 > L ≤ 63
△ X					4 < L ≤ 16
△ X					L ≤ 4
					ANGULAR
					±5°

PART NO	Material	Material(Pin)	Finish(Pin)	Suitable XKB Terminal
X9821WR-XX-N0SN	PA66 UL 94V-0	Brass	Tin-Plated	X9821H
X9821WR-XX-46SN	PA46 UL 94V-0			
PA6T UL 94V-0				

Poles	Dimensions(mm)		
	A	B	C
02	1.25	4.25	3.15
03	2.50	5.50	4.40
04	3.75	6.75	5.65
05	5.00	8.00	6.90
06	6.25	9.25	8.15
07	7.50	10.50	9.40
08	8.75	11.75	10.65
09	10.00	13.00	11.90
Poles			
Dimensions(mm)			
A	B	C	
13.15	14.25	14.25	13.15
14.40	15.50	15.50	14.40
15.65	16.75	16.75	15.65
16.90	18.00	18.00	16.90
18.15	19.25	19.25	18.15
19.40	20.50	20.50	19.40
20.65	21.75	21.75	20.65

X9821 W R X-XX X-XX SN XX
① ② ③ ④ ⑤ ⑥ ⑦ ⑧ ⑨

- Specifications :
- Voltage rating: 125V AC / DC
 - Current rating: 1A AC / DC
 - Withstanding voltage: 250V AC/minute
 - Temperature range: -25°C~+85°C
 - Insulation resistance: ≥100MΩ
 - Contact resistance: <20mΩ
 - After environmental testing: ≤40mΩ

- ① Series No.
- ② Category: W-water
- ③ Welding Board Angle: R- Right Angle 90°
- ④ Welding Way: Blank-DIP
- ⑤ Row No.-Pin No.: XX-02P~16P
- ⑥ Plug the Pin & Special No.:
- ⑦ Material: 46-PA46 94V-0 ; NO-PA66 94V-0 ; 6T-PA6T 94V-0
- ⑧ Planting Category: SN-Bright tin plating ; SW-MatteTin plating
- ⑨ Color: Blank-natural color

DSND	DATE	SCALE: N/A	MODEL TYPE: X9821WR-XX-XXSN
APPD	DATE	SIZE: A4	
CHKD	DATE	UNIT: mm	DWG NO.:
		VIEW:	PART NO.:
			1.25mm Crimp Style Connectors
			WEIGHT 1.0g
			SHEET 1/1
			REVISION A0

XKB INDUSTRIAL PRECISION CO., LIMITED

REVISIONS
Authorized Signatures

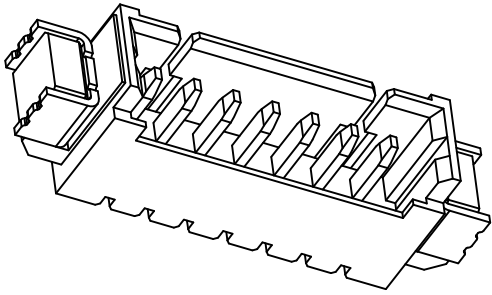
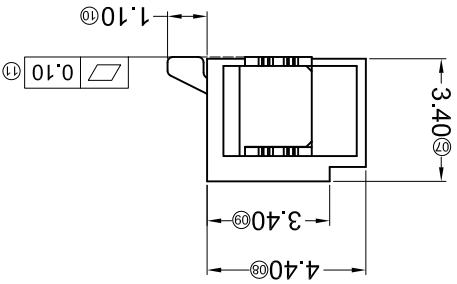
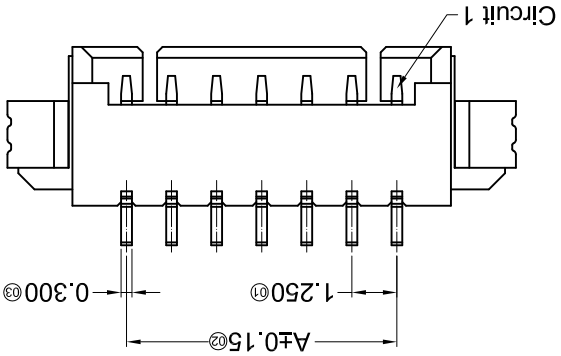
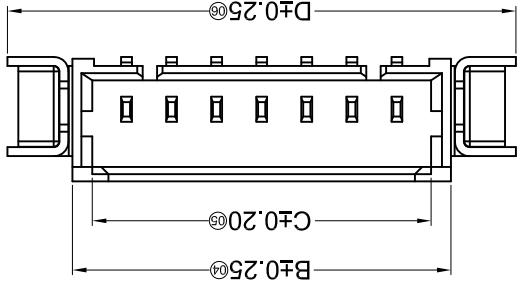
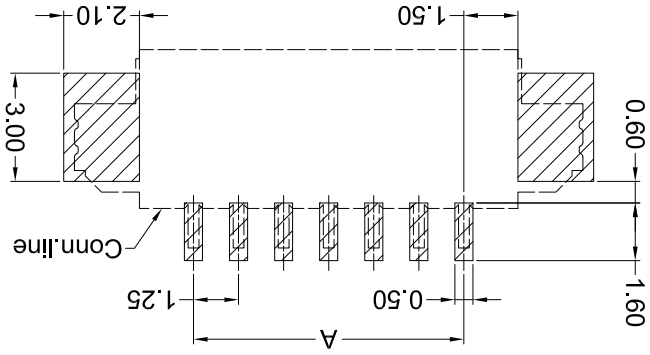
For and on behalf of
XKB INDUSTRIAL PRECISION CO., LIMITED
 香港星洲工業精密有限公司

MARK	DESCRIPTION	DATE	REVISD	APPROVED	UNSPCIFIED TOLERANCES
△ X					L > 63
△ X					16 < L ≤ 63
△ X					4 < L ≤ 16
					L ≤ 4
					ANGULAR
					±5°

REVISIONS	SIGNATURE(S)	
APPD	DATE	DATE
CHKD	DATE	DATE
DWN	DATE	DATE
DSND	DATE	DATE

MODEL TYPE: X9821WRS-XXA-LPSN	SCALE: N/A	VIEW:	UNIT: mm	SIZE: A4
PART NO.:				
1.25mm Crimp Style Connectors				
DWG NO.:				
WEIGHT	SHEET	REVISION		
1.0g	1/1	A0		

Recommended P.C.B Layout
 General Tolerance±0.05



Poles	Dimensions(mm)		
	A	B	C
02	1.25	4.25	3.15
03	2.50	5.50	4.40
04	3.75	6.75	5.65
05	5.00	8.00	6.90
06	6.25	9.25	8.15
07	7.50	10.50	9.40
08	8.75	11.75	10.65
09	10.00	13.00	11.90

Poles	Dimensions(mm)		
	A	B	C
02	11.25	14.25	11.25
03	12.50	15.50	12.50
04	13.75	16.75	13.75
05	15.00	18.00	15.00
06	16.25	19.25	16.25
07	17.50	20.50	17.50
08	18.75	21.75	18.75
09	20.00	23.00	20.00

PART NO	Material	Finish(Pin)	Material (Solder Tabs)	Finish (Solder Tabs)	Suitable XKB Terminal
X9821WRS-XXA-LPSNH	LCP UL 94V-0 Halogen Free	Tin-Plated	Phosphor Bronze	Tin-Plated	X9821H
X9821WRS-XXA-LPSN	LCP UL 94V-0	Tin-Plated	Phosphor Bronze	Tin-Plated	X9821H

- ① Series No.
 ② Category: W-water
 ③ Welding Board Angle: R- Right Angle 90°
 ④ Welding Way: S-SMT
 ⑤ Row No.-Pin No.: XX-02P~16P
 ⑥ Plug the Pin & Special No.: A-All ear clip
 ⑦ Material: LP-LCP 94V-0
 ⑧ Planting Category: SN-Bright tin plating;
 ⑨ HF-Halogen Free

- Specifications :
- Voltage rating: 125V AC / DC
 - Current rating: 1A AC / DC
 - Withstanding voltage: 250V AC/minute
 - Temperature range: -25°C~+85°C
 - Insulation resistance: ≥100MΩ
 - Contact resistance: ≤20mΩ
 - After environmental testing: ≤40mΩ

X9821 W R S-XX A-LP SN HF

For and on behalf of
XKB INDUSTRIAL PRECISION CO., LIMITED
 香港星洲工業精密有限公司

REVISIONS
 Authorized Signatures(s)

MARK	DESCRIPTION	DATE	REVISED	APPROVED	UNSPECIFIED TOLERANCES
△ X					± 0.5
△ X					$16 < L \leq 63$
△ X					$4 < L \leq 16$
△ X					$L \leq 4$
					ANGULAR
					$\pm 5^\circ$

REVISION	SHEET	WEIGHT	1.0g	8
A0	1/1			

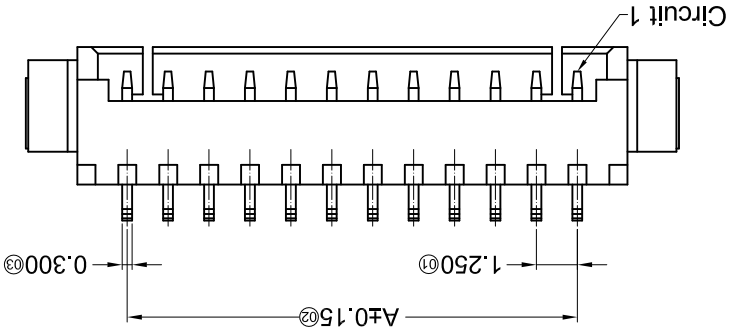
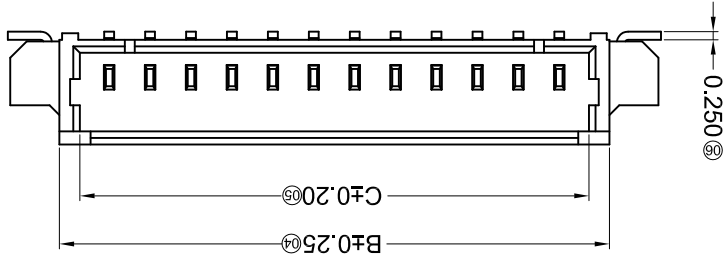
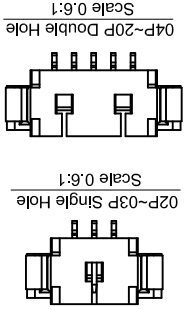
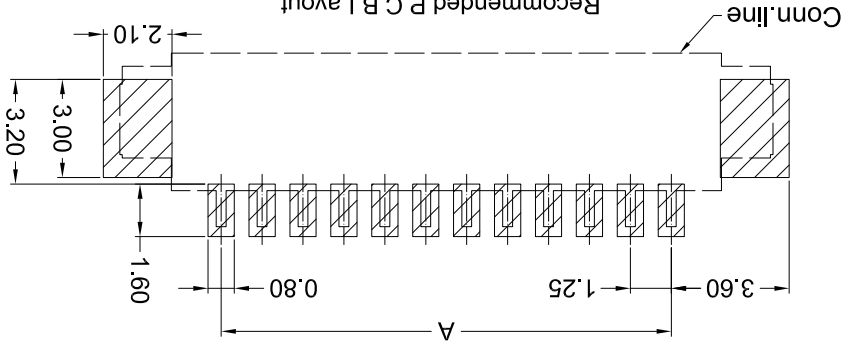
DSND	DATE	SCALE: N/A	MODEL TYPE: X9821WRS-XX-9TSN

DWN	DATE	VIEW:	PART NO.: X9821WRS-XX-9TSN

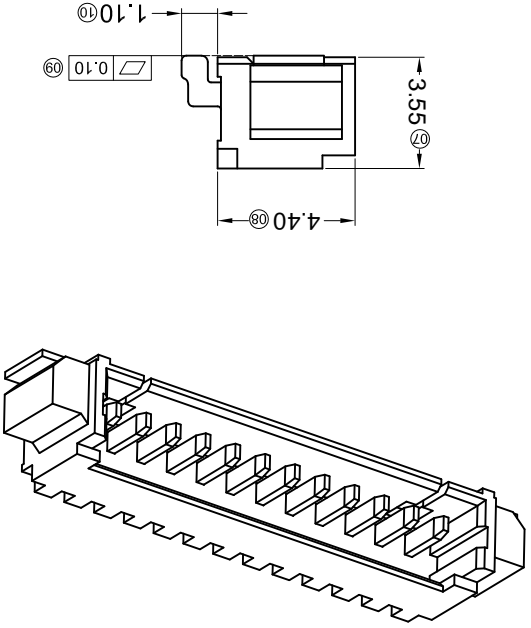
CHKD	DATE	UNIT: mm	DWG NO.:
			1.25mm Crimp Style Connectors

APPD	DATE	SIZE: A4

Recommended P.C.B Layout
 General Tolerance ± 0.05



Poles	Dimensions(mm)		Poles	Dimensions(mm)	
	A	B		C	A
02	1.25	4.25	12	13.75	16.75
03	2.50	5.50	13	15.00	18.00
04	3.75	6.75	14	16.25	19.25
05	5.00	8.00	15	17.50	20.50
06	6.25	9.25	16	18.75	21.75
07	7.50	10.50	17	20.00	23.00
08	8.75	11.75	18	21.25	24.25
09	10.00	13.00	19	22.50	25.50
10	11.25	14.25	20	23.75	26.75
11	12.50	15.50			28.00



■ Specifications :

- Voltage rating: 125V AC / DC
- Current rating: 1A AC / DC
- Withstanding voltage: 250V AC/minute
- Temperature range: -25°C~+85°C
- Insulation resistance: $\geq 100M\Omega$
- Contact resistance: $\leq 20m\Omega$
- After environmental testing: $\leq 40m\Omega$

X9821 WRS - XX X - 9T SN XX
 ① Series No.
 ② Category: W-wafer
 ③ Welding Board Angle: R-Right Angle 90°
 ④ Welding Way: S-SMT
 ⑤ Row No.-Pin No.: XX-02P~20P
 ⑥ Plug the Pin & Special NO.
 ⑦ Material: 9T-PA9T 94V-0
 ⑧ Plating Category: SN-Bright tin plating
 ⑨ Color: Blank-natural color

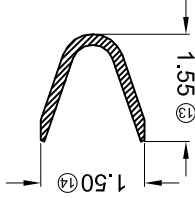
For and on behalf of
XKB INDUSTRIAL PRECISION CO., LIMITED
 香港星坤工業精密有限公司

MARK	DESCRIPTION	DATE	REVISED	APPROVED	UNSPECIFIED TOLERANCES	
					L > 63	± 0.5
△ X					16 < L ≤ 63	± 0.4
△ X					4 < L ≤ 16	± 0.3
△ X					L ≤ 4	± 0.2
					ANGULAR	± 5°

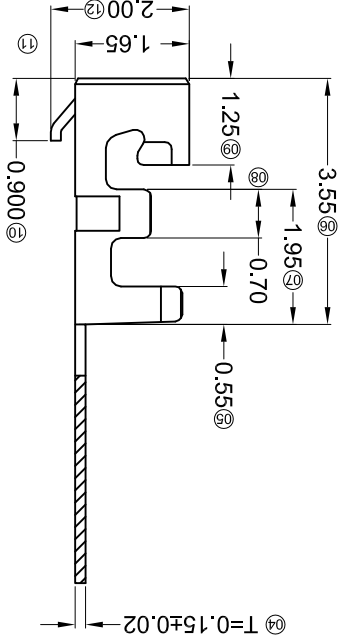
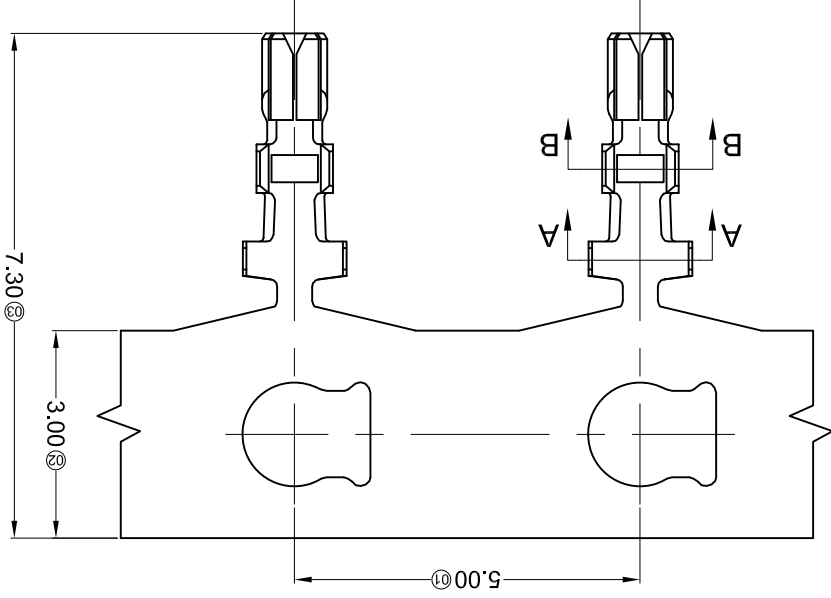
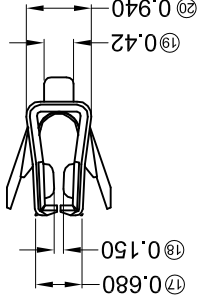
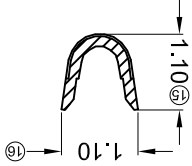
REVISIONS		UNSPECIFIED TOLERANCES		XKB INDUSTRIAL PRECISION CO., LIMITED	
DATE	REVISIONS	APPROVED	REVISED	APPD	DATE
DATE	REVISIONS	APPROVED	REVISED	CHKD	DATE
DATE	REVISIONS	APPROVED	REVISED	DWN	DATE
DATE	REVISIONS	APPROVED	REVISED	DSND	DATE
SCALE: N/A	MODEL TYPE: X9821T-PXXX-A	VIEW:	PART NO.:	UNIT: mm	SIZE: A4
WEIGHT: 1.0g	SHEET: 1/1	REVISION			
A0		REVISION			

PART NO	Material	Wire Range	Insulation O.D.	Finish	Suitable XKB
X9821T-PV0-1A	Phosphor Bronze	AWG#28-32	1.00mm(Max)	Stamping Before Plating:30u" Ni/Whole Gold :Gold Flash	X9821H-2*XX
X9821T-PSN-A				Stamping Before Plating:30u" Min Ni:70"Sn Min	

SECTION: A-A
SCALE: 1:1



SECTION: B-B
SCALE: 1:1



X9821 T X-P XX X-A

① Series Number

② Category: T-terminal

③ Shape: Blank-ordinary

④ Material: P-Phosphor bronze

⑤ Plating style: SN-Bright tin plating ;

⑥ V01-All Gold Flash

⑦ Plating method:

Blank-Stamping before plating

⑧ Mold No./Mark/Special No.

A-Mate with 9821H-2*XX

■ Specifications :

- Voltage rating: 125V AC / DC
- Current rating: 1A AC / DC
- Withstanding voltage: 250V AC/minute
- Temperature range: -25°C~+85°C
- Insulation resistance: ≥100MΩ
- Contact resistance: ≤20mΩ
- After environmental testing: ≤40mΩ

For and on behalf of
XKB INDUSTRIAL PRECISION CO., LIMITED
 香港星坤工業精密有限公司

REVISIONS
 Authorized Signature(s)

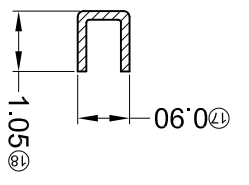
MARK	DESCRIPTION	DATE	REVISED	APPROVED	UNSPECIFIED TOLERANCES
△ X					L > 63 ± 0.5
△ X					16 < L ≤ 63 ± 0.4
△ X					4 < L ≤ 16 ± 0.3
△ X					L ≤ 4 ± 0.2
					ANGULAR ± 5°

REVISION	SHEET	WEIGHT	DATE	DATE	DATE	DATE	DATE
A0	1/1	1.0g					

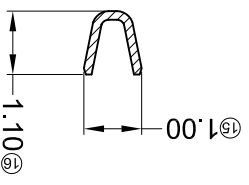
XKB INDUSTRIAL PRECISION CO., LIMITED

DSND	SCALE: N/A	VIEW:	UNIT: mm	SIZE: A4
DWN	MODEL TYPE: X9821TM-PXX	PART NO.: 1.25mm Crimp Style Connectors	DWG NO.:	
CHKD				
APPD				

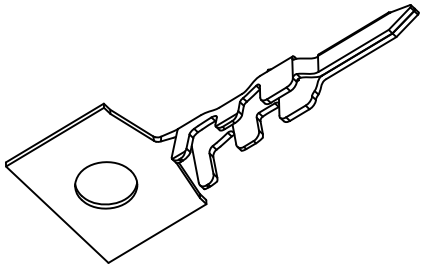
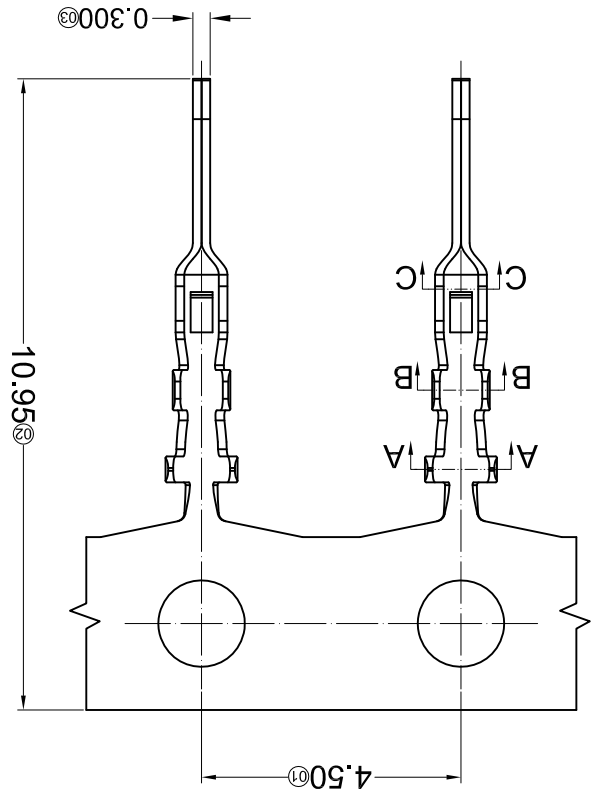
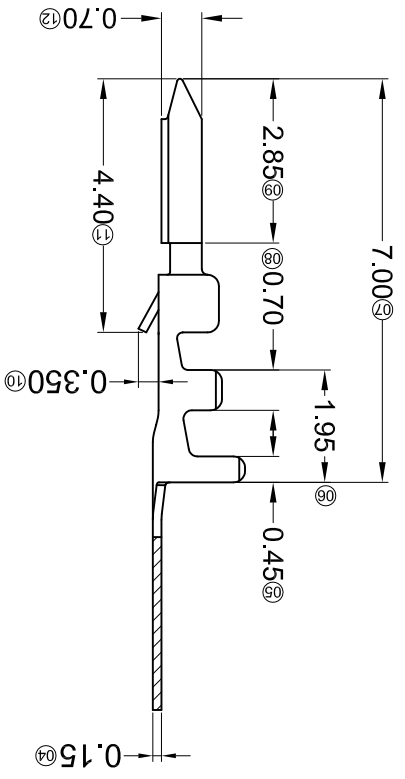
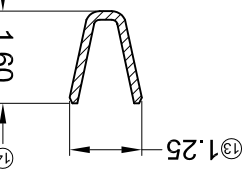
SECTION: C-C
 SCALE: 1:1



SECTION: B-B
 SCALE: 1:1



SECTION: A-A
 SCALE: 1:1



- Specifications:**
- Voltage rating: 125V AC / DC
 - Current rating: 1A AC / DC
 - Withstanding voltage: 250V AC/minute
 - Temperature range: -25°C~+85°C
 - Insulation resistance: ≥100MΩ
 - Contact resistance: ≤20mΩ
 - After environmental testing: ≤40mΩ
- ① Series Number
 X9821 T M-P XX X-X
 ① ② ③ ④ ⑤ ⑥ ⑦
- ① Category: T-terminal
 - ② Shape: M-male
 - ③ Material: P-Phosphor bronze
 - ④ Plating style: V01-Gold Flash; SN-Bright tin plating
 - ⑤ Plating method: Blank-Stamping before plating
 - ⑥ Mold No./Mark/Special No.

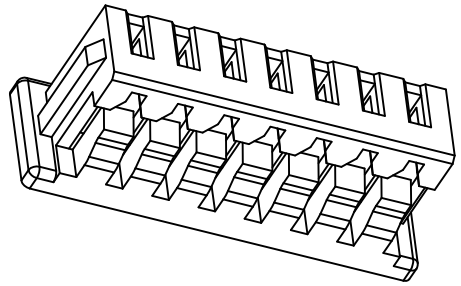
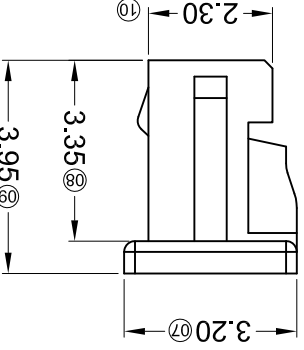
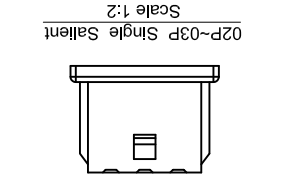
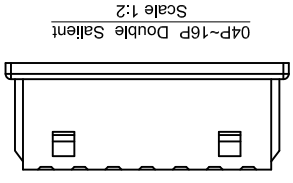
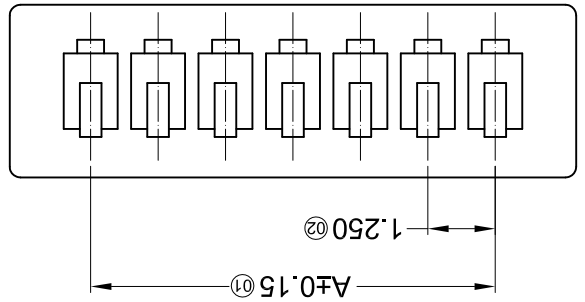
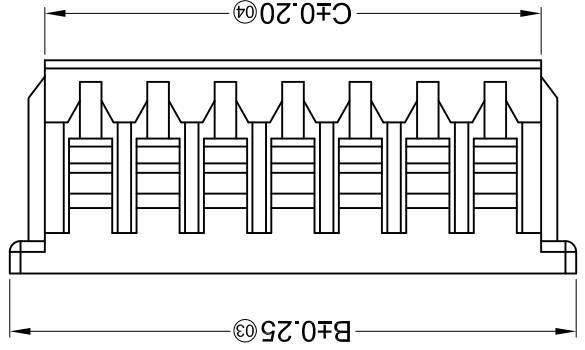
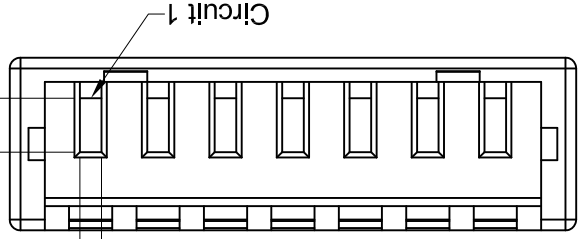
PART NO	Material	Wire Range	Insulation O.D.	Finish	Suitable XKB
X9821TM-PV01	Phosphor Bronze	AWG#26-32	1.00mm(Max)	Stamping Before Plating:30u" Min Nf:Whole Gold	X9821HF
X9821TM-PSN				Stamping Before Plating:30u" Min Nf: 70u"Sn Min	

For and on behalf of
XKB INDUSTRIAL PRECISION CO., LIMITED
 香港星洲工業精密有限公司

REVISIONS
 Authorized Signatures(s)

MARK	DESCRIPTION	DATE	REVISED	APPROVED	UNSPECIFIED TOLERANCES
△ X					L > 63
△ X					16 < L ≤ 63
△ X					4 < L ≤ 16
△ X					L ≤ 4
					ANGULAR
					±5°

DSND	DATE	SCALE: N/A	MODEL TYPE: X9821H-XXA-XXXX
DWN	DATE <td>VIEW: </td> <td>PART NO.:</td>	VIEW:	PART NO.:
CHKD	DATE <td>UNIT: mm</td> <td>DWG NO.:</td>	UNIT: mm	DWG NO.:
APPD	DATE <td>SIZE: A4</td> <td>WEIGHT: 1.0g</td>	SIZE: A4	WEIGHT: 1.0g
			SHEET: 1/1
			REVISION: A0



PART NO	Material	Suitable XKB Terminal
X9821H-XXA-PT	PBT UL 94V-0	Suitable XKB Terminal
X9821H-XXA-N0HF	Nylon 66 UL 94V-0 Halogen-Free	Suitable XKB Terminal
X9821H-XXA-N0	Nylon 66 UL 94V-0	Suitable XKB Terminal

Poles	Dimensions(mm)		
	A	B	C
02	1.25	4.25	2.95
03	2.50	5.50	4.20
04	3.75	6.75	5.45
05	5.00	8.00	6.70
06	6.25	9.25	7.95
07	7.50	10.50	9.20
08	8.75	11.75	10.45
09	10.00	13.00	11.70
Poles			
A			
B			
C			
Dimensions(mm)			
02	11.25	14.25	12.95
03	12.50	15.50	14.20
04	13.75	16.75	15.45
05	15.00	18.00	16.70
06	16.25	19.25	17.95
07	17.50	20.50	19.20
08	18.75	21.75	20.45
09	20.00	23.00	21.70

X9821 H X-XX A-XX HF
 ① ② ③ ④ ⑤ ⑥ ⑦

- ① Series No.
- ② Category: H-HSG
- ③ Welding Board Angle: Blank-ordinary
- ④ Row No./Pin No.: XX-02P~16P
- ⑤ Plug the Pin & special No.: A-No Gap
- ⑥ Material: NO-PA66 94V-0; PT-PBT UL 94V-0
- ⑦ HF-Halogen free

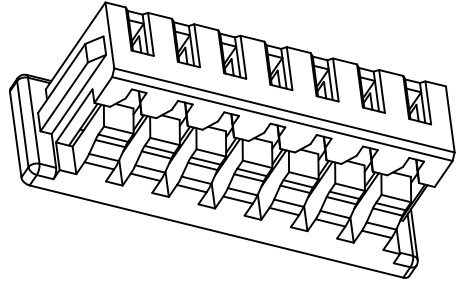
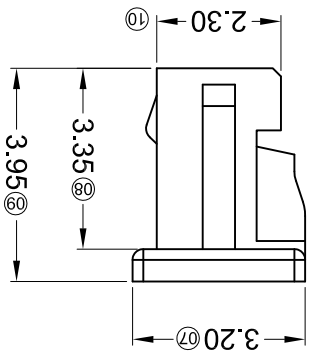
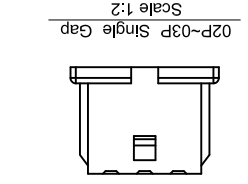
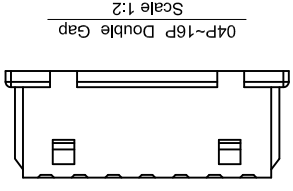
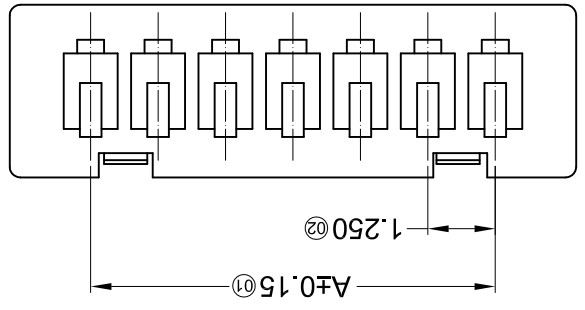
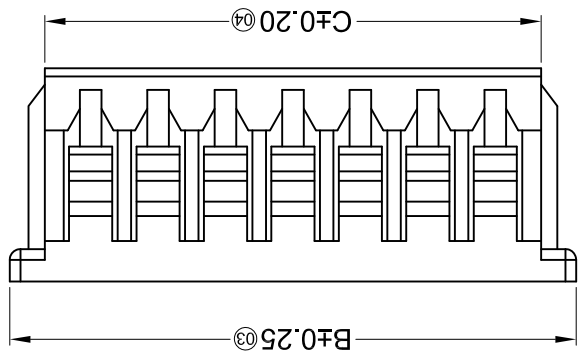
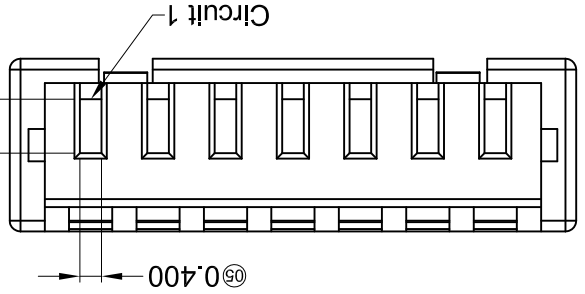
- Specifications:
- Voltage rating: 125V AC / DC
 - Current rating: 1A AC / DC
 - Withstanding voltage: 250V AC/minute
 - Temperature range: -25°C~+85°C
 - Insulation resistance: ≥100MΩ
 - Contact resistance: ≤20mΩ
 - After environmental testing: ≤40mΩ

For and on behalf of
XKB INDUSTRIAL PRECISION CO., LIMITED
 香港星坤工業精密有限公司

REVISIONS
 Authorized Signatures(s)

MARK	DESCRIPTION	DATE	REVISED	APPROVED	UNSPECIFIED TOLERANCES
△ X					$L > \leq 63$
△ X					$16 < L \leq 63$
△ X					$4 < L \leq 16$
△ X					$L \leq 4$
					ANGULAR $\pm 5^\circ$

DATE	SCALE: N/A	MODEL TYPE: X9821H-XXXX-XXXX	VIEW:	DATE	DATE	DATE	SIZE: A4	WEIGHT: 1.0g	SHEET: 1/1	REVISION: A0
DSND										
DWN										
CHKD										
APPD										



PART NO	Material	Suitable XKB Terminal	Suitable XKB Terminal
X9821H-XX-PT	PBT UL 94V-0	X9821T	X9821W
X9821H-XX-NOHF	Nylon 66 UL 94V-0 Halogen-Free		
X9821H-XX-N0	Nylon 66 UL 94V-0		

Poles	Dimensions(mm)			Poles	Dimensions(mm)		
	A	B	C		A	B	C
02	1.25	4.25	2.95	10	11.25	14.25	12.95
03	2.50	5.50	4.20	11	12.50	15.50	14.20
04	3.75	6.75	5.45	12	13.75	16.75	15.45
05	5.00	8.00	6.70	13	15.00	18.00	16.70
06	6.25	9.25	7.95	14	16.25	19.25	17.95
07	7.50	10.50	9.20	15	17.50	20.50	19.20
08	8.75	11.75	10.45	16	18.75	21.75	20.45
09	10.00	13.00	11.70				

- ① Series No. X9821 H X-XX XX-N0 HF
 ② Category: H-HSG
 ③ Welding Board Angle: Blank-ordinary
 ④ Row No./Pin No.: XX-02P~16P
 ⑤ Plug the Pin & special No.:
 ⑥ Material: N0-PA66 94V-0; PT-PBT UL 94V-0
 ⑦ HF-Halogen free

- Specifications:
- Voltage rating: 125V AC / DC
 - Current rating: 1A AC / DC
 - Withstanding voltage: 250V AC/minute
 - Temperature range: -25°C~+85°C
 - Insulation resistance: ≥100MΩ
 - Contact resistance: ≤20mΩ
 - After environmental testing: ≤40mΩ

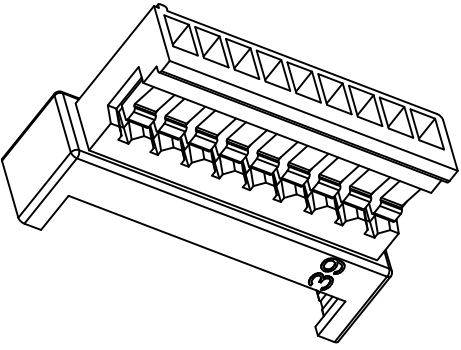
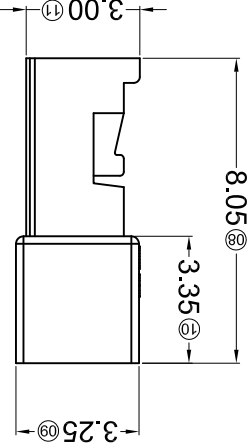
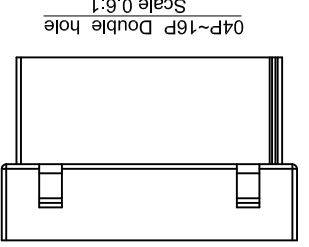
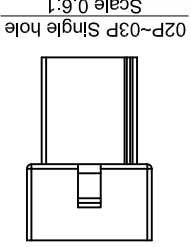
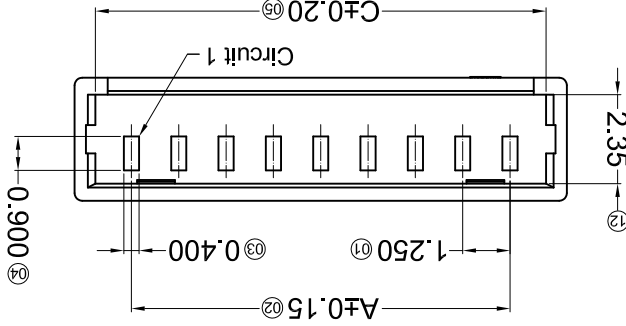
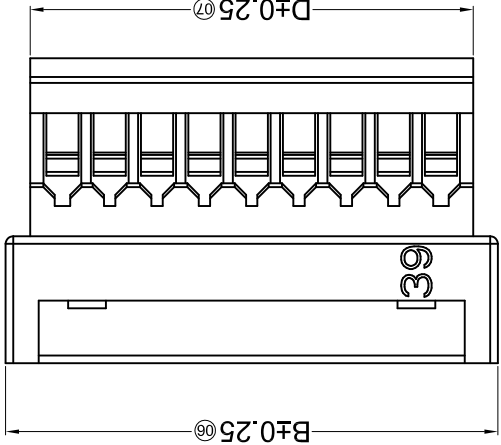
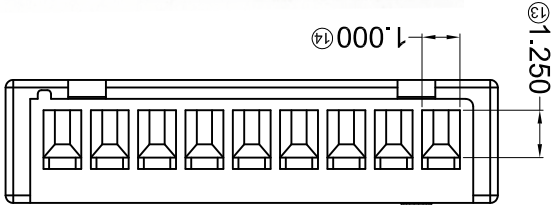
For and on behalf of
XKB INDUSTRIAL PRECISION CO., LIMITED
 香港星坤工業精密有限公司

REVISIONS
 Authorized Signatures(s)

MARK	DESCRIPTION	DATE	REVISED	APPROVED	UNSPECIFIED TOLERANCES
△ X					L > 63
△ X					16 < L ≤ 63
△ X					4 < L ≤ 16
△ X					L ≤ 4
					ANGULAR
					±5°

DSND	DATE	SCALE: N/A	MODEL TYPE: X9821HF-XX-N0XX
APPD	DATE <td>SIZE: A4</td> <td></td>	SIZE: A4	
CHKD	DATE <td>UNIT: mm</td> <td>DWG NO.:</td>	UNIT: mm	DWG NO.:
DWN	DATE <td>VIEW: </td> <td>PART NO.:</td>	VIEW:	PART NO.:
			1.25mm Crimp Style Connectors

REVISION	SHEET	WEIGHT
A0	1/1	1.0g



PART NO	Material	Suitable XKB Terminal	Suitable XKB Terminal
X9821HF-XX-PT	PBT UL 94V-0	X9821TM	X9821H
X9821HF-XX-N0HF	Nylon 66 UL 94V-0 Halogen-free		
X9821HF-XX-N0	Nylon 66 UL 94V-0		

Poles	Dimensions(mm)			
	A	B	C	D
02	1.25	4.25	3.15	2.95
03	2.50	5.50	4.40	4.20
04	3.75	6.75	5.65	5.45
05	5.00	8.00	6.90	6.70
06	6.25	9.25	8.15	7.95
07	7.50	10.50	9.40	9.20
08	8.75	11.75	10.65	10.45
09	10.00	13.00	11.90	11.70
				16
				15
				14
				13
				12
				11
				10
				9
				8
				7
				6
				5
				4
				3
				2
				1

- ① Series No.
- ② Category: H-HSG
- ③ Welding Board Angle: F-Female HSG
- ④ Row No.-Pin No.: XX-02P~16P
- ⑤ Plug the Pin & special No.:
- ⑥ Material: N0-PA66 94V-0; PT-PBT UL 94V-0
- ⑦ HF-Halogen free

X9821 H F-XX X-N0 HF
 ① ② ③ ④ ⑤ ⑥ ⑦

- Voltage rating: 125V AC / DC
- Current rating: 1A AC / DC
- Withstanding voltage: 250V AC/minute
- Temperature range: -25°C~+85°C
- Insulation resistance: ≥100MΩ
- Contact resistance: ≤20mΩ
- After environmental testing: ≤40mΩ

■ Specifications :

For and on behalf of
XKB INDUSTRIAL PRECISION CO., LIMITED
 香港星坤工業精密有限公司

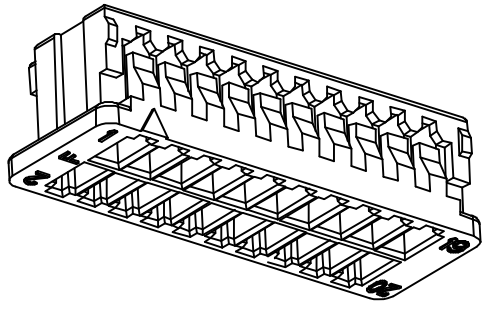
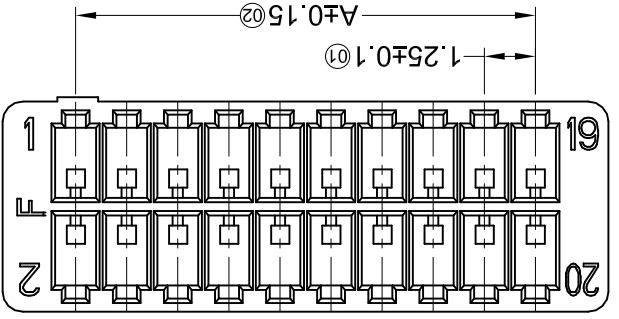
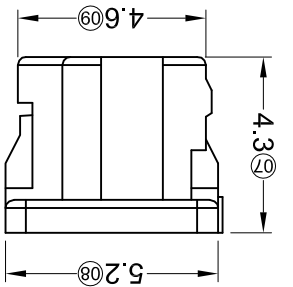
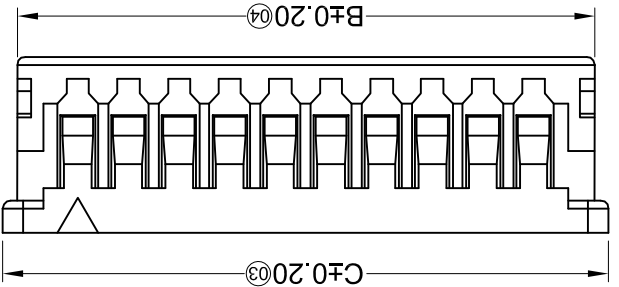
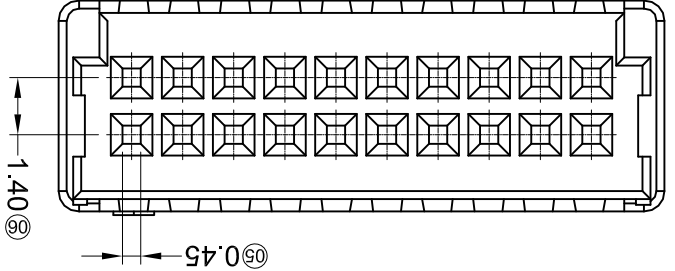
REVISIONS
 Authorized Signature(s)

MARK	DESCRIPTION	DATE	REVISED	APPROVED	UNSPECIFIED TOLERANCES
△ X					L > 63 ±0.5
△ X					16 < L ≤ 63 ±0.4
△ X					4 < L ≤ 16 ±0.3
△ X					L ≤ 4 ±0.2
					ANGULAR ±5°

REVISION	SHEET	WEIGHT	SIZE	DATE	APPD
A0	1/1	1.0g	A4		

DATE	SCALE	MODEL TYPE	VIEW	UNIT	DATE	CHKD	DWG NO.:
	N/A	X9821H-2*XX-N0	VIEW:	mm			1.25mm Crimp Style Connectors

DATE	SCALE	MODEL TYPE	VIEW	UNIT	DATE	DWN	PART NO.:
	N/A	X9821H-2*XX-N0	VIEW:	mm			1.25mm Crimp Style Connectors



Poles	Dimensions(mm)		
	A	B	C
2*05	5.00	8.00	8.70
2*10	11.25	14.25	14.95
2*15	17.50	20.50	21.20
2*20	23.75	26.75	27.45

- ① Series No.
- ② Category: H-HSG
- ③ Welding Board Angle: Blank-ordinary
- ④ Row No.-Pin No.: 2*XX-02P~16P
- ⑤ Plug the Pin & special No.:
- ⑥ Material: NO-PA66 94V-0;
- ⑦ Color: Blank-natural color

X9821 H X-2*XX XX-N0 XX

- Voltage rating: 125V AC / DC
- Current rating: 1A AC / DC
- Withstanding voltage: 250V AC/minute
- Temperature range: -25°C~+85°C
- Insulation resistance: ≥100MΩ
- Contact resistance: ≤20mΩ
- After environmental testing: ≤40mΩ

■ Specifications :

X-ON Electronics

Largest Supplier of Electrical and Electronic Components

Click to view similar products for [Headers & Wire Housings](#) category:

Click to view products by [XKB](#) manufacturer:

Other Similar products are found below :

[95000-104TRLF](#) [10135584-644402LF](#) [DF62W-EP2022PCA](#) [95000-106TRLF](#) [DF62W-2022SCA](#) [DF62W-EP2022PC](#) [2203348](#) [DF62W-2022SC](#) [1084018](#) [1029039](#) [1084017](#) [802-10-012-10-002000](#) [1112640](#) [1112639](#) [891-007-9SS-BST1T](#) [000-34000](#) [0008550134](#) [0009482033](#) [0009507031](#) [57102-F02-18ULF](#) [57102-S06-03LF](#) [57202-S52-04LF](#) [PCN6-15S-2.5E](#) [0039019024](#) [58102-G61-06LF](#) [582553-1](#) [0009485154](#) [0009508121](#) [0022285053](#) [0050291907](#) [018731A](#) [LY20-4P-DT1-P1E-BR](#) [02.125.8002.8](#) [60101931](#) [60598-1 \(Cut Strip\)](#) [M1625-3R/100](#) [61062-3](#) [61082-181009](#) [CSU011177004](#) [636-1427](#) [638009-1](#) [641938-9](#) [641991-4](#) [644168-1](#) [644827-2](#) [647662-1](#) [65039-019ELF](#) [65692-001LF](#) [65781-018](#) [65781-047](#)