

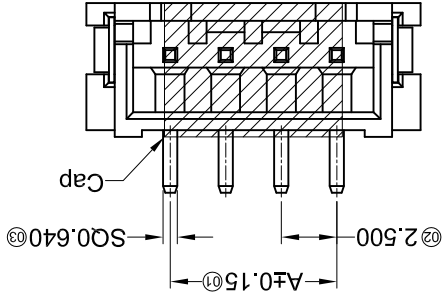
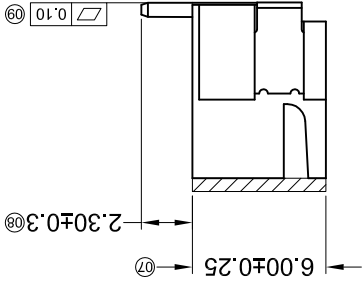
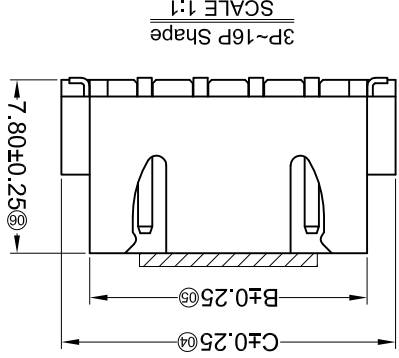
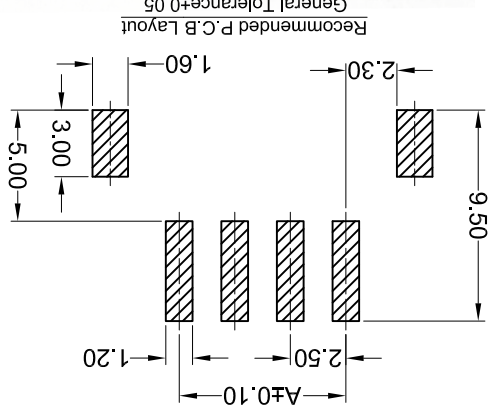
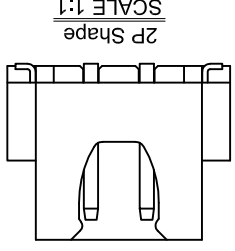
MARK	DESCRIPTION	DATE	REVISION	APPROVED	UNSPECIFIED TOLERANCES
△X					$L > 63$ $L > 63$
△X					$16 < L \leq 63$ $\pm 0.4$
△X					$4 < L \leq 16$ $\pm 0.3$
					$L \leq 4$ $\pm 0.2$
					ANGULAR $\pm 5^\circ$

For and on behalf of  
**XKB INDUSTRIAL PRECISION CO., LIMITED**  
 香港星坤工業精密有限公司

REVISION	SHEET	WEIGHT	XKB INDUSTRIAL PRECISION CO., LIMITED			
A0	1/1	1.0g	SIZE: A4	DATE	DATE	DATE
			UNIT: mm	DATE	DATE	DATE
			VIEW:	DATE	DATE	DATE
			SCALE: N/A	DATE	DATE	DATE
			PART NO.: X8821WVS-XX-9T-SN			
			MODEL TYPE: X8821WVS-XX-9T-SN			

PART NO	Material	Material(Fin)	Finish(Fin)	Material(Solder Tabs)	Finish(Solder Tabs)	Suitable XKB Terminal
X8821WVS-XX-9T-SN	PA9T UL 94V-0	Brass	Tin-plated	Phosphore Bronze	Tin-plated	X8821H

Poles	Dimensions(mm)			Poles	Dimensions(mm)		
	A	B	C		A	B	C
02	2.50	7.45	10.00	10	22.50	27.45	30.00
03	5.00	9.95	12.50	11	25.00	29.95	32.50
04	7.50	12.45	15.00	12	27.50	32.45	35.00
05	10.00	14.95	17.50	13	30.00	34.95	37.50
06	12.50	17.45	20.00	14	32.50	37.45	40.00
07	15.00	19.95	22.50	15	35.00	39.95	42.50
08	17.50	22.45	25.00	16	37.50	42.45	45.00
09	20.00	24.95	27.50				



- ① Series No. X8821 W V S-XX X-9T SN XX  
 ② Category: W-WAFER  
 ③ Welding Board Angle: V-180°  
 ④ Welding Way: S-SMT  
 ⑤ Row No.-Pin No.: XX-Single Row  
 ⑥ Plug the Pin & Special No.:  
 ⑦ Material: 9T -PA9T 94V-0  
 ⑧ Plating Category: SN-Bright Tin Plating  
 ⑨ Color: Blank-Natural Color

- Specifications:  
 • Voltage rating: 250V AC / DC  
 • Current rating: 3A AC / DC  
 • Withstanding voltage: 1000V AC/minute  
 • Temperature range: -25°C~+85°C  
 • Insulation resistance: ≥1000MΩ  
 • Contact resistance: ≤10mΩ  
 • After environmental testing: ≤20mΩ

## X-ON Electronics

Largest Supplier of Electrical and Electronic Components

*Click to view similar products for [Headers & Wire Housings](#) category:*

*Click to view products by [XKB](#) manufacturer:*

Other Similar products are found below :

[95000-104TRLF](#) [10135584-644402LF](#) [DF62W-EP2022PCA](#) [95000-106TRLF](#) [DF62W-2022SCA](#) [DF62W-EP2022PC](#) [2203348](#) [DF62W-2022SC](#) [1084018](#) [1029039](#) [1084017](#) [802-10-012-10-002000](#) [1112640](#) [1112639](#) [891-007-9SS-BST1T](#) [000-34000](#) [0008550134](#) [0009482033](#) [0009507031](#) [57102-F02-18ULF](#) [57102-S06-03LF](#) [57202-S52-04LF](#) [PCN6-15S-2.5E](#) [0039019024](#) [58102-G61-06LF](#) [582553-1](#) [0009485154](#) [0009508121](#) [0022285053](#) [0050291907](#) [018731A](#) [LY20-4P-DT1-P1E-BR](#) [02.125.8002.8](#) [60101931](#) [60598-1 \(Cut Strip\)](#) [M1625-3R/100](#) [61062-3](#) [61082-181009](#) [CSU011177004](#) [636-1427](#) [638009-1](#) [641938-9](#) [641991-4](#) [644168-1](#) [644827-2](#) [647662-1](#) [65039-019ELF](#) [65692-001LF](#) [65781-018](#) [65781-047](#)