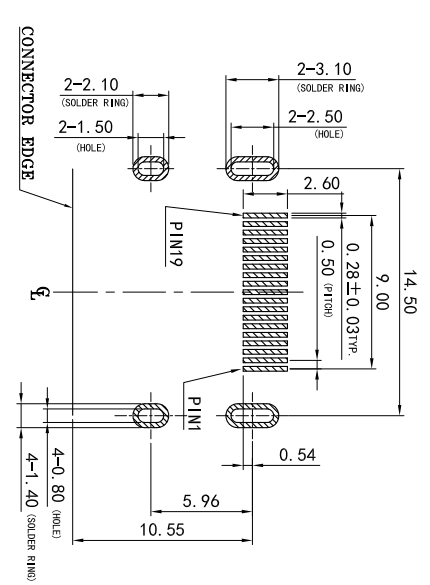


Item	Parts Names	Unit Dosage
①	Terminal	19 Pcs
②	Shell	1 Pcs
③	Housing	1 Pcs



RECOMMENDED PCB LAYOUT (TOP VIEW)
TOLERANCE: ±0.05mm

NOTE:
Material:
 Terminal : Brass C2680, T=0.2±0.02mm.
 Shell : Brass C2680, T=0.5±0.02mm.
 Housing : LCP (E1301)+30% G.F. (UL94-0), Black.
2. Plating:
 Terminal : Au plated on contact area (see order information), 100u" Sn plated on solder tail area, both over 50u" min. Ni underplated overall.
3. Mechanical Characteristics:
 Insertion force : 4.5Kgf max.
 Withdrawing force : 1Kgf ~ 4Kgf.

PART NO. INFORMATION
 A71-05H9-X1XX
 SERIES CODE
 FEMALE
 BLACK
 FOR FOLLOW NO.
 1: Au 1u", 3: Au 3u"
 5: Au 5u", 7: Au 10u"
 8: Au 15u", A: Au 30u"
 1: TRAY PACKAGE
 2: TAPE REEL PACKAGE
 1: TIGER BRAND
 2: TIGER BRAND

For and on behalf of
XKB INDUSTRIAL PRECISION CO., LIMITED
香港星坤工業精密有限公司

DESCRIPTION	DATE	REVISED	APPROVED	UNSPECIFIED TOLERANCES	DATE	SCALE: N/A	MODEL TYPE: HDMI CONNECTOR
△X				ANGULAR	DATE	VIEW:	PART NO.: A71-05H9-111NI
△X				$L \leq 4$	DATE	UNIT: mm	DWG NO.: A71-05H9-111NI
△X				$4 < L \leq 16$	DATE	SIZE: A4	WEIGHT 1.0g
MARK				$16 < L \leq 63$	DATE	SHEET 1/1	REVISION A0
				$L > 63$	DATE		

THIS DOCUMENT IS THE PROPERTY OF CHUNSHENG ELECTRONICS CO., LTD. NO PART THEREOF MAY BE REPRODUCED AND USED WITHOUT THE PRIOR WRITTEN CONSENT OF THE OWNER

X-ON Electronics

Largest Supplier of Electrical and Electronic Components

Click to view similar products for [USB Connectors](#) category:

Click to view products by [XKB](#) manufacturer:

Other Similar products are found below :

[10033527-N3112MLF](#) [17-210561](#) [GMCB05B11124H1EU](#) [17-200931](#) [65-647-8-BK-BU](#) [690-010-295-484](#) [73725-1191BLF](#) [950](#) [E8144-B01021-L](#) [A-USB A-LP-SMT-C](#) [A-USB B-TOP-C](#) [MUSBA511N5](#) [MUSBB15131](#) [MUSBC111M5](#) [MUSBD11135](#) [217450-1](#) [CA 6 W LD](#)
[896-30-004-00-000000](#) [KUSBVX-BS1N-W30](#) [KUSBX-AP-KIT-SCBLK](#) [KUSBX-AS2N-W](#) [KUSBX-SMT2AP1S-W](#) [KUSBX-SMTAS1NBTR](#) [KUSBX-SMTBS1NBTR](#) [30-498-6](#) [SK-60A-2](#) [17-200261](#) [17-210051](#) [1734082-1](#) [FK-37-32SL](#) [30-1574](#) [30-470](#) [30-489](#) [30-541](#) [30-572-3](#) [30-9503](#) [M9177/2-1](#) [MAB 5 S](#) [MIKROE-1451](#) [33UBBR-04SW11R](#) [USBFTV2PEM2G](#) [USBFTVC6ZN](#) [USBFTVSCCG](#)
[KUSBX-AS2N-W30](#) [KUSBX-SLAS1N-W](#) [KUSBX-SLAS1N-W30](#) [1-1734084-2](#) [E8110-001-01](#) [MUSBC11135](#) [NK-27-32SL](#)