

REVISIONS
Authorized Signature(s)

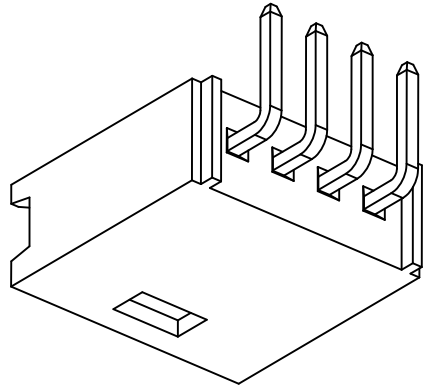
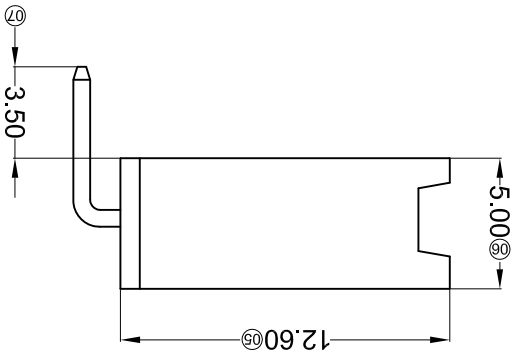
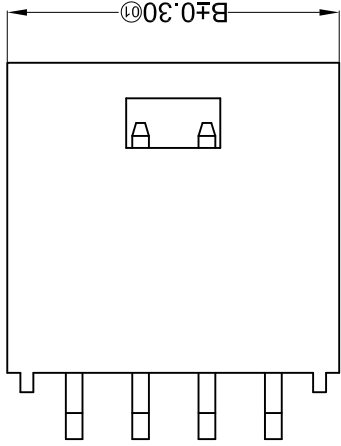
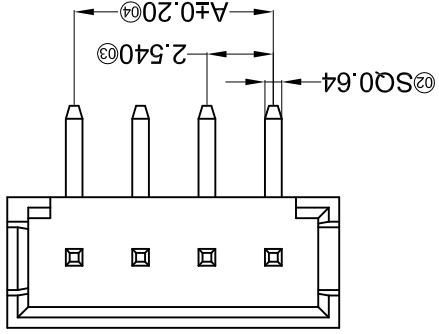
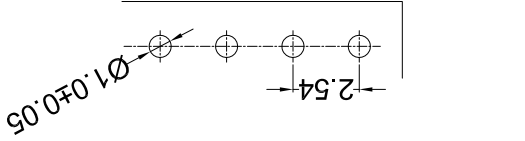
MARK	DESCRIPTION	DATE	REVISED	APPROVED	UNSPECIFIED TOLERANCES
△ X					L > 63 ± 0.5
△ X					16 < L ≤ 63 ± 0.4
△ X					4 < L ≤ 16 ± 0.3
△ X					L ≤ 4 ± 0.2
					ANGULAR ± 5°

For and on behalf of
KXB INDUSTRIAL PRECISION CO., LIMITED
香港星坤工業精密有限公司

KXB INDUSTRIAL PRECISION CO., LIMITED

MODEL TYPE:	SCALE: N/A	DATE	
X2530WR-XX-PTSN		DATE	
PART NO.:	VIEW:	DATE	
2.54mm Crimp Style Connectors	UNIT: mm	DATE	
DWG NO.:	SIZE: A4	DATE	
REVISION	WEIGHT	SHEET	REVISION
A0	1.0g	1/1	A0

Recommended P.C.B Layout
General Tolerance±0.05



PART NO	Material	Material(Pin)	Finish(Pin)	Suitable XKB Terminal
X2530WR-XX-PTSN	PBT UL 94V-0	Brass	Tin-Plated	X2530H

Poles	Dimensions(mm)	
	A	B
02	2.54	7.70
03	5.08	10.20
04	7.62	12.70
05	10.16	15.20
06	12.70	17.80
07	15.24	20.30
08	17.78	22.90
09	20.32	25.40
10	22.86	28.00
11	25.40	30.50
12	27.94	33.10
13	30.48	35.60
14	33.02	38.10
15	35.56	40.70
16	38.10	43.20
17	40.64	45.70
18	43.18	48.20
19	45.72	50.70
20	48.26	53.20
21	50.80	55.70
22	53.34	58.20
23	55.88	60.70
24	58.42	63.20
25	60.96	65.70
26	63.50	68.20
27	66.04	70.70
28	68.58	73.20
29	71.12	75.70
30	73.66	78.20
31	76.20	80.70
32	78.74	83.20
33	81.28	85.70
34	83.82	88.20
35	86.36	90.70
36	88.90	93.20
37	91.44	95.70
38	93.98	98.20
39	96.52	100.70
40	99.06	103.20
41	101.60	105.70
42	104.14	108.20
43	106.68	110.70
44	109.22	113.20
45	111.76	115.70
46	114.30	118.20
47	116.84	120.70
48	119.38	123.20
49	121.92	125.70
50	124.46	128.20
51	127.00	130.70
52	129.54	133.20
53	132.08	135.70
54	134.62	138.20
55	137.16	140.70
56	139.70	143.20
57	142.24	145.70
58	144.78	148.20
59	147.32	150.70
60	149.86	153.20
61	152.40	155.70
62	154.94	158.20
63	157.48	160.70
64	160.02	163.20
65	162.56	165.70
66	165.10	168.20
67	167.64	170.70
68	170.18	173.20
69	172.72	175.70
70	175.26	178.20
71	177.80	180.70
72	180.34	183.20
73	182.88	185.70
74	185.42	188.20
75	187.96	190.70
76	190.50	193.20
77	193.04	195.70
78	195.58	198.20
79	198.12	200.70
80	200.66	203.20
81	203.20	205.70
82	205.74	208.20
83	208.28	210.70
84	210.82	213.20
85	213.36	215.70
86	215.90	218.20
87	218.44	220.70
88	220.98	223.20
89	223.52	225.70
90	226.06	228.20
91	228.60	230.70
92	231.14	233.20
93	233.68	235.70
94	236.22	238.20
95	238.76	240.70
96	241.30	243.20
97	243.84	245.70
98	246.38	248.20
99	248.92	250.70
100	251.46	253.20

- Series No. 01
 Category: W-water 02
 Welding Board Angle: R-Right Angle 90° 03
 Welding Way: Blank-DIP 04
 Row No.-Pin No.: XX-Single row (02-22P) 05
 Special NO.: 06
 Material: PT-PBT 94V-0 07
 Plating Category: V01:All Gold-Flash ; SN-Bright tin plating 08
 Color: Blank-natural color 09
- X2530 W R XX- XX X-PTSN XX
 01 02 03 04 05 06 07 08 09

- Specifications :
- Voltage rating: 250V AC / DC
 - Current rating: 3A AC / DC
 - Withstanding voltage: 800V AC/minute
 - Temperature range: -25°C~+85°C
 - Insulation resistance: ≥1000MΩ
 - Contact resistance: ≤10mΩ
 - After environmental testing : ≤20mΩ

X-ON Electronics

Largest Supplier of Electrical and Electronic Components

Click to view similar products for [Headers & Wire Housings](#) category:

Click to view products by [XKB](#) manufacturer:

Other Similar products are found below :

[95000-104TRLF](#) [10135584-644402LF](#) [DF62W-EP2022PCA](#) [95000-106TRLF](#) [DF62W-2022SCA](#) [DF62W-EP2022PC](#) [2203348](#) [DF62W-2022SC](#) [1084018](#) [1029039](#) [1084017](#) [802-10-012-10-002000](#) [1112640](#) [1112639](#) [891-007-9SS-BST1T](#) [000-34000](#) [0008550134](#) [0009482033](#) [0009507031](#) [57102-F02-18ULF](#) [57102-S06-03LF](#) [57202-S52-04LF](#) [PCN6-15S-2.5E](#) [0039019024](#) [58102-G61-06LF](#) [582553-1](#) [0009485154](#) [0009508121](#) [0022285053](#) [0050291907](#) [018731A](#) [LY20-4P-DT1-P1E-BR](#) [02.125.8002.8](#) [60101931](#) [60598-1 \(Cut Strip\)](#) [M1625-3R/100](#) [61062-3](#) [61082-181009](#) [CSU011177004](#) [636-1427](#) [638009-1](#) [641938-9](#) [641991-4](#) [644168-1](#) [644827-2](#) [647662-1](#) [65039-019ELF](#) [65692-001LF](#) [65781-018](#) [65781-047](#)