



---

## Low Power Stereo Audio ADC

---

### GENERAL DESCRIPTION

ES8288 is a high performance, low power and low cost audio ADC. It consists of 2-ch ADC, microphone amplifier and auto level control.

The device uses advanced multi-bit delta-sigma modulation technique to convert data between digital and analog. The multi-bit delta-sigma modulators make the device with low sensitivity to clock jitter and low out of band noise.

### FEATURES

#### *ADC*

- 24-bit, 8 kHz to 96 kHz sampling frequency
- 95 dB dynamic range, 95 dB signal to noise ratio, -85 dB THD+N
- Stereo or mono microphone interface with microphone amplifier
- Auto level control and noise gate
- 2-to-1 analog input selection

#### *Low Power*

- 1.8V to 3.3V operation
- 9 mW recording

#### *System*

- I<sup>2</sup>C or SPI uC interface
- 256Fs, 384Fs, USB 12 MHz or 24 MHz
- Master or slave serial port
- I<sup>2</sup>S, Left Justified, DSP/PCM Mode

### APPLICATIONS

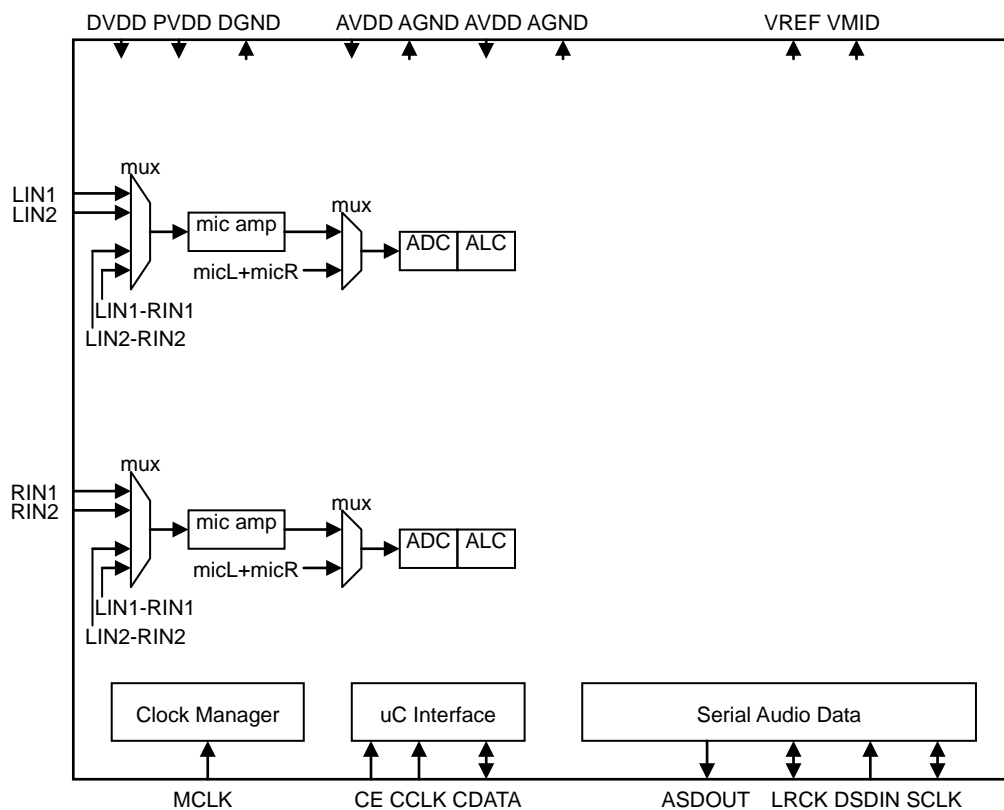
- Portable audio recording

### ORDERING INFORMATION

ES8288 -40°C ~ +85°C  
QFN-28

1	BLOCK DIAGRAM.....	3
2	28-PIN QFN AND PIN DESCRIPTIONS.....	4
3	TYPICAL APPLICATION CIRCUIT .....	6
4	CLOCK MODES AND SAMPLING FREQUENCIES.....	6
5	MICRO-CONTROLLER CONFIGURATION INTERFACE .....	8
5.1	SPI .....	8
5.2	2-wire .....	9
6	CONFIGURATION REGISTER DEFINITION .....	10
6.1	Chip Control and Power Management .....	11
6.1.1	Register 0 – Chip Control 1, Default 0000 0110 .....	11
6.1.2	Register 1 – Chip Control 2, Default 0001 1100 .....	11
6.1.3	Register 2 – Chip Power Management, Default 1100 0011 .....	11
6.1.4	Register 3 – ADC Power Management, Default 1111 1100 .....	12
6.1.5	Register 5 – Chip Low Power 1, Default 0000 0000.....	12
6.1.6	Register 6 – Chip Low Power 2, Default 0000 0000.....	12
6.1.7	Register 7 – Analog Voltage Management, Default 0111 1100....	12
6.1.8	Register 8 – Master Mode Control, Default 1000 0000 .....	13
6.2	ADC Control .....	13
6.2.1	Register 9 – ADC Control 1, Default 0000 0000.....	13
6.2.2	Register 10 – ADC Control 2, Default 0000 0000.....	13
6.2.3	Register 11 – ADC Control 3, Default 0000 0110 .....	14
6.2.4	Register 12 – ADC Control 4, Default 0000 0000.....	14
6.2.5	Register 13 – ADC Control 5, Default 0000 0110 .....	14
6.2.6	Register 14 – ADC Control 6, Default 0011 0000 .....	15
6.2.7	Register 15 – ADC Control 7, Default 0011 0000 .....	15
6.2.8	Register 16 – ADC Control 8, Default 1100 0000 .....	16
6.2.9	Register 17 – ADC Control 9, Default 1100 0000 .....	16
6.2.10	Register 18 – ADC Control 10, Default 0011 1000 .....	16
6.2.11	Register 19 – ADC Control 11, Default 1011 0000 .....	17
6.2.12	Register 20 – ADC Control 12, Default 0011 0010 .....	17
6.2.13	Register 21 – ADC Control 13, Default 0000 0110 .....	18
6.2.14	Register 22 – ADC Control 14, Default 0000 0000.....	18
6.2.15	Register 43 – ADC Control 15, Default 0011 1000 .....	18
7	Digital Audio Interface.....	19
8	ELECTRICAL CHARACTERISTICS .....	20
8.1	Absolute Maximum Ratings.....	20
8.2	Recommended Operating Conditions .....	20
8.3	ADC Analog and Filter Characteristics and Specifications .....	20
8.4	Power Consumption Characteristics .....	21
8.5	Serial Audio Port Switching Specifications .....	21
8.6	Serial Control Port Switching Specifications .....	22
9	PACKAGE INFORMATION.....	24
10	CORPORATION INFORMATION .....	25

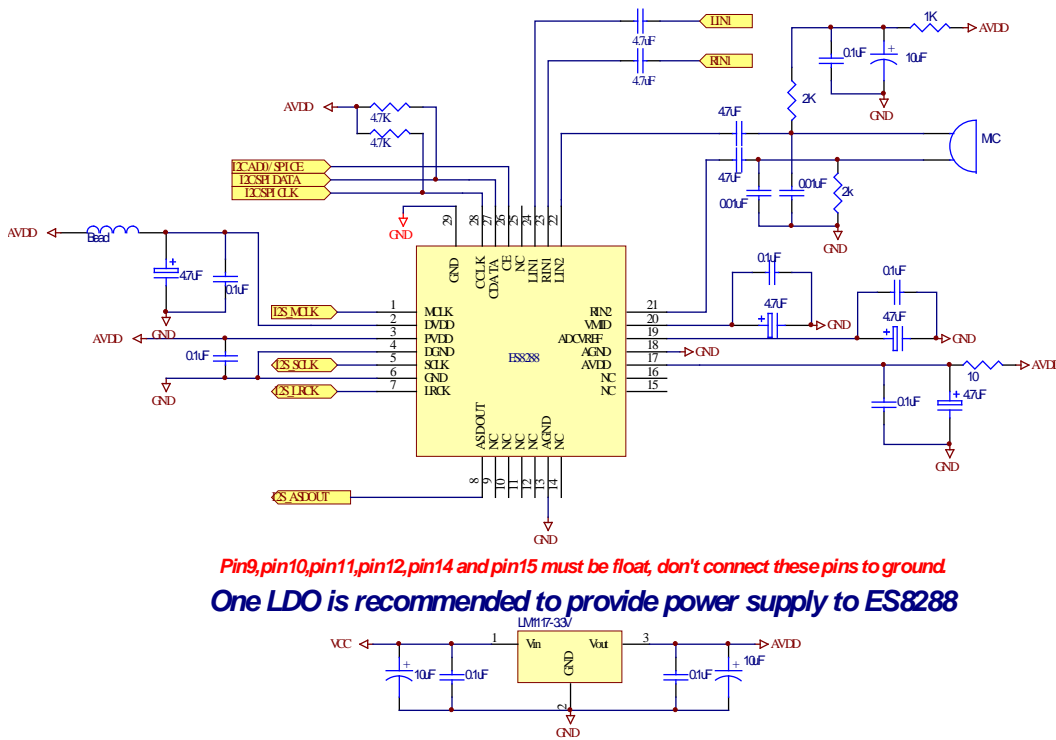
# 1 BLOCK DIAGRAM





PIN	NAME	I/O	DESCRIPTION
1	MCLK	I	Master clock
2	DVDD	Supply	Digital core supply
3	PVDD	Supply	Digital IO supply
4	DGND	Supply	Digital ground (return path for both DVDD and PVDD)
5	SCLK	I/O	Audio data bit clock
6	DGND	I	Connect to ground
7	LRCK	I	ADC audio data left and right clock
8	ASDOUT	O	ADC audio data
9	NC	NC	No connect
10	NC	NC	No connect
11	NC	NC	No connect
12	NC	NC	No connect
13	AGND	Supply	Analog ground
14	NC	NC	No connect
15	NC	NC	No connect
16	NC	NC	No connect
17	AVDD	Supply	Analog supply
18	AGND	Supply	Analog ground
19	ADCVREF	O	Decoupling capacitor
20	VMID	O	Decoupling capacitor
21	RIN2	I	Right channel input 2
22	LIN2	I	Left channel input 2
23	RIN1	I	Right channel input 1
24	LIN1	I	Left channel input 1
25	NC	NC	No connect
26	CE	I	Control select or device address selection
27	CDATA	I/O	Control data input or output
28	CCLK	I	Control clock input

### 3 TYPICAL APPLICATION CIRCUIT



### 4 CLOCK MODES AND SAMPLING FREQUENCIES

According to the input serial audio data sampling frequency, the device can work in two speed modes: single speed or double speed. The ranges of the sampling frequency in these two modes are listed in Table 1. The device can work either in master clock mode or slave clock mode.

In slave mode, LRCK and SCLK are supplied externally. LRCK and SCLK must be synchronously derived from the system clock with specific rates. The device can auto detect MCLK/LRCK ratio according to Table 1. The device only supports the MCLK/LRCK ratios listed in Table 1. The LRCK/SCLK ratio is normally 64.

Table 1 Slave Mode Sampling Frequencies and MCLK/LRCK Ratio

Speed Mode	Sampling Frequency	MCLK/LRCK Ratio
Single Speed	8kHz – 50kHz	256, 384, 512, 768, 1024
Double Speed	50kHz – 100kHz	128, 192, 256, 384, 512

In master mode, LRCK and SCLK are derived internally from MCLK. The available MCLK/LRCK ratios and SCLK/LRCK ratios are listed in Table 2.

Table 2 Master Mode Sampling Frequencies and MCLK/LRCK Ratio

MCLK CLKDIV2=0	MCLK CLKDIV2=1	ADC Sample Rate (ALRCK)	ADCFsRatio [4:0]	SCLK Ratio
12.288 MHz	24.576MHz	8 kHz (MCLK/1536)	01010	MCLK/6
		8 kHz (MCLK/1536)	01010	MCLK/4
		12 kHz (MCLK/1024)	00111	MCLK/4
		16 kHz (MCLK/768)	00110	MCLK/6
		24 kHz (MCLK/512)	00100	MCLK/4
		32 kHz (MCLK/384)	00011	MCLK/6
		48 kHz (MCLK/256)	00010	MCLK/4
		48 kHz (MCLK/256)	00010	MCLK/4
		96 kHz (MCLK/128)	00000	MCLK/2
11.2896 MHz	22.5792MHz	8.0182 kHz (MCLK/1408)	01001	MCLK/4
		8.0182 kHz (MCLK/1408)	01001	MCLK/4
		11.025 kHz (MCLK/1024)	00111	MCLK/4
		22.05 kHz (MCLK/512)	00100	MCLK/4
		44.1 kHz (MCLK/256)	00010	MCLK/4
		44.1 kHz (MCLK/256)	00010	MCLK/4
		88.2 kHz (MCLK/128)	00000	MCLK/2
18.432 MHz	36.864MHz	8 kHz (MCLK/2304)	01100	MCLK/6
		8 kHz (MCLK/2304)	01100	MCLK/6
		12 kHz (MCLK/1536)	01010	MCLK/6
		16 kHz (MCLK/1152)	01000	MCLK/6
		24 kHz (MCLK/768)	00110	MCLK/6
		32 kHz (MCLK/576)	00101	MCLK/6
		48 kHz (MCLK/384)	00011	MCLK/6
		48 kHz (MCLK/384)	00011	MCLK/6
		96 kHz (MCLK/192)	00001	MCLK/3
16.9344 MHz	33.8688MHz	8.0182 kHz (MCLK/2112)	01011	MCLK/6
		8.0182 kHz (MCLK/2112)	01011	MCLK/6
		11.025 kHz (MCLK/1536)	01010	MCLK/6
		22.05 kHz (MCLK/768)	00110	MCLK/6
		44.1 kHz (MCLK/384)	00011	MCLK/6
		44.1 kHz (MCLK/384)	00011	MCLK/6
		88.2 kHz (MCLK/192)	00001	MCLK/3
12 MHz	24MHz	8 kHz (MCLK/1500)	11011	MCLK
		8 kHz (MCLK/1500)	11011	MCLK
		8.0214 kHz (MCLK/1496)	11010	MCLK
		8.0214 kHz (MCLK/1496)	11010	MCLK
		11.0259 kHz (MCLK/1088)	11001	MCLK
		12 kHz (MCLK/1000)	11000	MCLK

	16 kHz (MCLK/750)	10111	MCLK
	22.0588 kHz (MCLK/544)	10110	MCLK
	24 kHz (MCLK/500)	10101	MCLK
	32 kHz (MCLK/375)	10100*	MCLK
	44.118 kHz (MCLK/272)	10011	MCLK
	44.118 kHz (MCLK/272)	10011	MCLK
	48 kHz (MCLK/250)	10010	MCLK
	48 kHz (MCLK/250)	10010	MCLK
	88.235 kHz (MCLK/136)	10001	MCLK
	96 kHz (MCLK/125)	10000	MCLK

## 5 MICRO-CONTROLLER CONFIGURATION INTERFACE

The device supports standard SPI and 2-wire micro-controller configuration interface. External micro-controller can completely configure the device through writing to internal configuration registers. Please see section 8 for the details of configuration register definition.

The identical device pins are used to configure either SPI or 2-wire interface. In SPI mode, pin CE, CCLK and CDATA function as SPI\_CS<sub>n</sub>, SPI\_CLK and SPI\_DIN. In 2-wire mode, pin CE, CCLK and CDATA function as AD<sub>0</sub>, SCL and SDA. To select SPI mode, apply high to low transition signal to CE pin. Otherwise the device will operate in 2-wire interface mode.

### 5.1 SPI

ES8288 has a SPI (Serial Peripheral Interface) compliant synchronous serial slave controller inside the chip. It provides the ability to allow the external master SPI controller to access the internal registers, and thus control the operations of chip.

All lines on the SPI bus are unidirectional: The SPI\_CLK is generated by the master controller and is primarily used to synchronize data transfer, the SPI\_DIN line carries data from the master to the slave; SPI\_CS<sub>n</sub> is generated by the master to select ES8288.

The timing diagram of this interface is given in Figure 1. The high to low transition at SPI\_CS<sub>n</sub> pin indicates the SPI interface selected. Each write procedure contains 3 words, i.e. Chip Address plus R/W bit, internal register address and internal register data. Every word length is fixed at 8 bits. The input SPI\_DIN data are sampled at the rising edge of SPI\_CLK clock. The MSB bit in each word is transferred firstly. The transfer rate can be up to 10M bps.



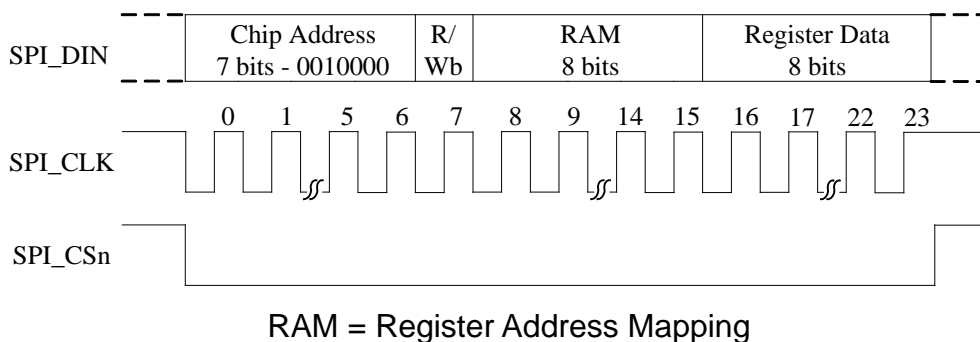


Figure 1 SPI Configuration Interface Timing Diagram

**5.2 2-wire**

2-wire interface is a bi-directional serial bus that uses a serial data line (SDA) and a serial clock line (SCL) for data transfer. The timing diagram for data transfer of this interface is given in Figure 2. Data are transmitted synchronously to SCL clock on the SDA line on a byte-by-byte basis. Each bit in a byte is sampled during SCL high with MSB bit being transmitted firstly. Each transferred byte is followed by an acknowledge bit from receiver to pull the SDA low. The transfer rate of this interface can be up to 100k bps.

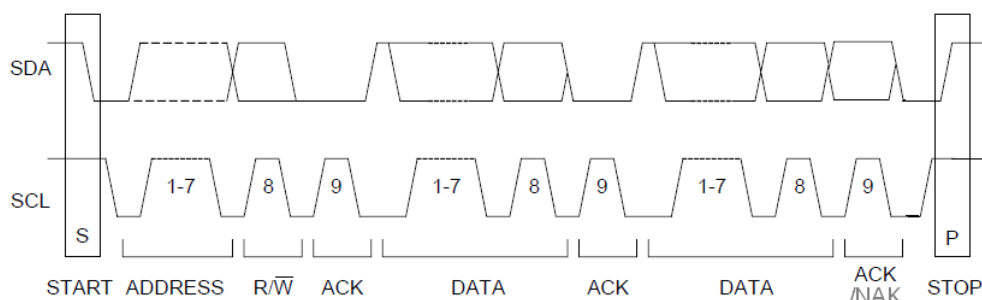


Figure 2 Complete Data Transfer for 2-wire Interface

A master controller initiates the transmission by sending a “start” signal, which is defined as a high-to-low transition at SDA while SCL is high. The first byte transferred is the slave address. It is a seven-bit chip address followed by a RW bit. The chip address must be 001000x, where x equals AD0 (pin CE). The RW bit indicates the slave data transfer direction. Once an acknowledge bit is received, the data transfer starts to proceed on a byte-by-byte basis in the direction specified by the RW bit. The master can terminate the communication by generating a “stop” signal, which is defined as a low-to-high transition at SDA while SCL is high.

In 2-wire interface mode, the registers can be written and read. The formats of “write” and “read” instructions are shown in Table 3 and Table 4. Please note that, to read data from a register, you must set R/W bit to 0 to access the register address and then set R/W to 1 to read data from the register.

Table 3 Write Data to Register in 2-wire Interface Mode

Chip Address	R/W	Register Address			Data to be written
001000	AD0	0	ACK	RAM	ACK DATA

Table 4 Read Data from Register in 2-wire Interface Mode

Chip Address	R/W	Register Address		
001000	AD0	0	ACK	RAM
Chip Address	R/W	Data to be read		
001000	AD0	1	ACK	DATA

## 6 CONFIGURATION REGISTER DEFINITION

SPI and 2-wire configuration interface share the same registers because there is only one interface active at any time. There are total of 53 user programmable 8-bit registers in this device. These registers control the operations of ADC and DAC. External master controller can access these registers by using the slave address specified in RAM (Register Address Map) register as shown in the Table 5.

Table 5 Bit Content of Register Address Map

	B7	B6	B5	B4	B3	B2	B1	B0
Reg. 00	SCPRReset	LRCM			SeqEn	EnRef	VMIDSEL	
Reg. 01	TSDEN	PdnOC	LPVcmMod	LPVrefBuf	PdnAna	PdnIbiasgen	VrefrLo	PdnVrefbuf
Reg. 02	adc_DigPDN		adc_stm_rst		ADCDLL_PDND		adcVref_PDND	
Reg. 03	PdnAINL	PdnAINR	PdnADCL	PdnADCR	PdnMICB	PdnADCBiasgen	flashLP	int1LP
Reg. 05				OC[2]		OC[3]		
Reg. 06	LPPGA						LPADCVrp	
Reg. 07	VSEL							
Reg. 08	MSC	MCLKDIV2	BCLK_INV	BCLKDIV				
Reg. 09	MicAmpL				MicAmpR			
Reg. 10	LINSEL		RINSEL					
Reg. 11	DS					TRI	OC[1:0]	
Reg. 12	DATSEL		ADCLRP	ADCWL			ADCFORMAT	
Reg. 13			ADCFsMode	ADCFsRatio				
Reg. 14	ADC_invL	ADC_invR	ADC_HPF_L	ADC_HPF_R				
Reg. 15	ADCRampRate	ADCSoftRamp	ADCZeroCrS	ADCLeR	ADCMute			
Reg. 16	LADCVOL							
Reg. 17	RADCVOL							
Reg. 18	ALCSEL		MAXGAIN			MINGAIN		
Reg. 19	ALCLVL				ALCHLD			
Reg. 20	ALCDCY				ALCATK			
Reg. 21	ALCMODE	ALCZC	TIME_OUT	WIN_SIZE				

Reg. 22	NGTH				NGG		NGAT
Reg. 43	slrck	Lrck_sel		Adc_dll_pwd			

## 6.1 Chip Control and Power Management

### 6.1.1 Register 0 – Chip Control 1, Default 0000 0110

Bit Name	Bit	Description
SCPRreset	7	0 – normal (default) 1 – reset control port register to default
LRCM	6	0 – ALRCK disabled when both ADC disabled; DLRCK disabled when both DAC disabled (default) 1 – ALRCK and DLRCK disabled when all ADC and DAC disabled
SeqEn	3	0 – internal power up/down sequence disable (default) 1 – internal power up/down sequence enable
EnRef	2	0 – disable reference 1 – enable reference (default)
VMIDSEL	1:0	00 – Vmid disabled 01 – 50 k $\Omega$ divider enabled 10 – 500 k $\Omega$ divider enabled (default) 11 – 5 k $\Omega$ divider enabled

### 6.1.2 Register 1 – Chip Control 2, Default 0001 1100

Bit Name	Bit	Description
TSDEN	7	0 – thermal shutdown disabled (default) 1 – thermal shutdown enabled
PdnOC	6	0 – over current shutdown disabled (default) 1 – over current shutdown enabled
LPVcmMod	5	0 – normal (default) 1 – low power
LPVrefBuf	4	0 – normal 1 – low power (default)
PdnAna	3	0 – normal 1 – entire analog power down (default)
PdnIbiasgen	2	0 – normal 1 – ibiasgen power down (default)
VrefLo	1	0 – normal (default) 1 – low power
PdnVrefbuf	0	0 – normal (default) 1 – power down

### 6.1.3 Register 2 – Chip Power Management, Default 1100 0011

Bit Name	Bit	Description
adc_DigPDN	7	0 – normal

		1 – resets ADC DEM, filter and serial data port (default)
adc_stm_rst	5	0 – normal (default) 1 – reset ADC state machine to power down state
ADCDLL_PDN	3	0 – normal (default) 1 – ADC_DLL power down, stop ADC clock
adcVref_PDN	1	0 – ADC analog reference power up 1 – ADC analog reference power down (default)

#### 6.1.4 Register 3 – ADC Power Management, Default 1111 1100

Bit Name	Bit	Description
PdnAINL	7	0 – normal 1 – left analog input power down (default)
PdnAINR	6	0 – normal 1 – right analog input power down (default)
PdnADCL	5	0 – left ADC power up 1 – left ADC power down (default)
PdnADCR	4	0 – right ADC power up 1 – right ADC power down (default)
PdnMICB	3	0 – microphone bias power on 1 – microphone bias power down (high impedance output, default)
PdnADCBiasgen	2	0 – normal 1 – power down (default)
flashLP	1	0 – normal (default) 1 – flash ADC low power
int1LP	0	0 – normal (default) 1 – int1 low power

#### 6.1.5 Register 5 – Chip Low Power 1, Default 0000 0000

Bit Name	Bit	Description
OC[2]	4	0 – over current setting (default) 1 – over current setting
OC[3]	2	0 – over current setting (default) 1 – over current setting

#### 6.1.6 Register 6 – Chip Low Power 2, Default 0000 0000

Bit Name	Bit	Description
LPPGA	7	0 – normal (default) 1 – low power
LPADCvrp	1	0 – normal (default) 1 – low power

#### 6.1.7 Register 7 – Analog Voltage Management, Default 0111 1100

Bit Name	Bit	Description
----------	-----	-------------

VSEL	6:0	1111100 – normal (default)
------	-----	----------------------------

### 6.1.8 Register 8 – Master Mode Control, Default 1000 0000

Bit Name	Bit	Description
MSC	7	0 – slave serial port mode 1 – master serial port mode (default)
MCLKDIV2	6	0 – MCLK not divide (default) 1 – MCLK divide by 2
BCLK_INV	5	0 – normal (default) 1 – BCLK inverted
BCLKDIV	4:0	00000 – master mode BCLK generated automatically based on the clock table (default) Others – MCLK/N, N=1~31

## 6.2 ADC Control

### 6.2.1 Register 9 – ADC Control 1, Default 0000 0000

Bit Name	Bit	Description
MicAmpL	7:4	Left channel PGA gain 0000 – 0 dB (default) 0001 – +3 dB 0010 – +6 dB 0011 – +9 dB 0100 – +12 dB 0101 – +15 dB 0110 – +18 dB 0111 – +21 dB 1000 – +24 dB
MicAmpR	3:0	Right channel PGA gain 0000 – 0dB (default) 0001 – +3 dB 0010 – +6 dB 0011 – +9 dB 0100 – +12 dB 0101 – +15 dB 0110 – +18 dB 0111 – +21 dB 1000 – +24 dB

### 6.2.2 Register 10 – ADC Control 2, Default 0000 0000

Bit Name	Bit	Description
LINSEL	7:6	Left channel input select 00 – LINPUT1 (default) 01 – LINPUT2 10 – LINPUT3

		11 – L-R differential (either LINPUT1-RINPUT1 or LINPUT2-RINPUT2, selected by DS)
RINSEL	5:4	Right channel input select 00 – RINPUT1 (default) 01 – RINPUT2 10 – RINPUT3 11 – L-R differential (either LINPUT1-RINPUT1 or LINPUT2-RINPUT2, selected by DS)

### 6.2.3 Register 11 – ADC Control 3, Default 0000 0110

Bit Name	Bit	Description
DS	7	Differential input select 0 – LINPUT1-RINPUT1 (default) 1 – LINPUT2-RINPUT2
MONOMIX	4:3	00 – stereo (default) 01 – analog mono mix to left ADC 10 – analog mono mix to right ADC 11 – reserved
TRI	2	0 – ASDOUT is ADC normal output (default) 1 – ASDOUT tri-stated, ALRCK, DLRCK and SCLK are inputs
OC[1:0]	1:0	00 – over current setting (default)

### 6.2.4 Register 12 – ADC Control 4, Default 0000 0000

Bit Name	Bit	Description
DATSEL	7:6	00 – left data = left ADC, right data = right ADC 01 – left data = left ADC, right data = left ADC 10 – left data = right ADC, right data = right ADC 11 – left data = right ADC, right data = left ADC
ADCLRP	5	I2S, left justified or right justified mode: 0 – left and right normal polarity 1 – left and right inverted polarity DSP/PCM mode: 0 – MSB is available on 2nd BCLK rising edge after ALRCK rising edge 1 – MSB is available on 1st BCLK rising edge after ALRCK rising edge
ADCWL	4:2	000 – 24-bit serial audio data word length 001 – 20-bit serial audio data word length 010 – 18-bit serial audio data word length 011 – 16-bit serial audio data word length 100 – 32-bit serial audio data word length
ADCFORMAT	1:0	00 – I2S serial audio data format 01 – left justify serial audio data format 10 – right justify serial audio data format 11 – DSP/PCM mode serial audio data format

### 6.2.5 Register 13 – ADC Control 5, Default 0000 0110

Bit Name	Bit	Description
----------	-----	-------------

ADCsMode	5	0 – single speed mode (default) 1 – double speed mode																												
ADCsRatio	4:0	Master mode ADC MCLK to sampling frequency ratio <table border="0" style="width: 100%;"> <tr> <td style="width: 50%;">00000 – 128</td> <td style="width: 50%;">10000 – 125</td> </tr> <tr> <td>00001 – 192</td> <td>10001 – 136</td> </tr> <tr> <td>00010 – 256</td> <td>10010 – 250</td> </tr> <tr> <td>00011 – 384</td> <td>10011 – 272</td> </tr> <tr> <td>00100 – 512</td> <td>10100 – 375</td> </tr> <tr> <td>00101 – 576</td> <td>10101 – 500</td> </tr> <tr> <td>00110 – 768 (default)</td> <td>10110 – 544</td> </tr> <tr> <td>00111 – 1024</td> <td>10111 – 750</td> </tr> <tr> <td>01000 – 1152</td> <td>11000 – 1000</td> </tr> <tr> <td>01001 – 1408</td> <td>11001 – 1088</td> </tr> <tr> <td>01010 – 1536</td> <td>11010 – 1496</td> </tr> <tr> <td>01011 – 2112</td> <td>11011 – 1500</td> </tr> <tr> <td>01100 – 2304</td> <td></td> </tr> <tr> <td>Other – reserved</td> <td></td> </tr> </table>	00000 – 128	10000 – 125	00001 – 192	10001 – 136	00010 – 256	10010 – 250	00011 – 384	10011 – 272	00100 – 512	10100 – 375	00101 – 576	10101 – 500	00110 – 768 (default)	10110 – 544	00111 – 1024	10111 – 750	01000 – 1152	11000 – 1000	01001 – 1408	11001 – 1088	01010 – 1536	11010 – 1496	01011 – 2112	11011 – 1500	01100 – 2304		Other – reserved	
00000 – 128	10000 – 125																													
00001 – 192	10001 – 136																													
00010 – 256	10010 – 250																													
00011 – 384	10011 – 272																													
00100 – 512	10100 – 375																													
00101 – 576	10101 – 500																													
00110 – 768 (default)	10110 – 544																													
00111 – 1024	10111 – 750																													
01000 – 1152	11000 – 1000																													
01001 – 1408	11001 – 1088																													
01010 – 1536	11010 – 1496																													
01011 – 2112	11011 – 1500																													
01100 – 2304																														
Other – reserved																														

### 6.2.6 Register 14 – ADC Control 6, Default 0011 0000

Bit Name	Bit	Description
ADC_invL	7	0 – normal (default) 1 – left channel polarity inverted
ADC_invR	6	0 – normal (default) 1 – right channel polarity inverted
ADC_HPF_L	5	0 – disable ADC left channel high pass filter 1 – enable ADC left channel high pass filter (default)
ADC_HPF_R	4	0 – disable ADC right channel high pass filter 1 – enable ADC right channel high pass filter (default)

### 6.2.7 Register 15 – ADC Control 7, Default 0011 0000

Bit Name	Bit	Description
ADCRampRate	7:6	00 – 0.5 dB per 4 LRCK digital volume control ramp rate (default) 01 – 0.5 dB per 8 LRCK digital volume control ramp rate 10 – 0.5 dB per 16 LRCK digital volume control ramp rate 11 – 0.5 dB per 32 LRCK digital volume control ramp rate
ADCSoftRamp	5	0 – disabled digital volume control soft ramp 1 – enabled digital volume control soft ramp (default)
ADCZeroCrs	4	0 – disabled digital volume control change at zero cross 1 – enabled digital volume control change at zero cross (default)
ADCLeR	3	0 – normal (default) 1 – both channel gain control is set by ADC left gain control register
ADCMute	2	0 – normal (default) 1 – mute ADC digital output

**6.2.8 Register 16 – ADC Control 8, Default 1100 0000**

Bit Name	Bit	Description
LADCVOL	7:0	Digital volume control attenuates the signal in 0.5 dB incremental from 0 to -96 dB. 00000000 – 0 dB 00000001 – -0.5 dB 00000010 – -1 dB ... 11000000 – -96 dB (default)

**6.2.9 Register 17 – ADC Control 9, Default 1100 0000**

Bit Name	Bit	Description
RADCVOL	7:0	Digital volume control attenuates the signal in 0.5 dB incremental from 0 to -96 dB. 00000000 – 0 dB 00000001 – -0.5 dB 00000010 – -1 dB ... 11000000 – -96 dB (default)

**6.2.10 Register 18 – ADC Control 10, Default 0011 1000**

Bit Name	Bit	Description
ALCSEL	7:6	00 – ALC off 01 – ALC right channel only 10 – ALC left channel only 11 – ALC stereo
MAXGAIN	5:3	Set maximum gain of PGA 000 – -6.5 dB 001 – -0.5 dB 010 – 5.5 dB 011 – 11.5 dB 100 – 17.5 dB 101 – 23.5 dB 110 – 29.5 dB 111 – 35.5 dB
MINGAIN	2:0	Set minimum gain of PGA 000 – -12 dB 001 – -6 dB 010 – 0 dB 011 – +6 dB 100 – +12 dB 101 – +18 dB 110 – +24 dB 111 – +30 dB



**6.2.11 Register 19 – ADC Control 11, Default 1011 0000**

Bit Name	Bit	Description
ALCLVL	7:4	ALC target 0000 – –22.5dBFS 0001 – –21.0dBFS ..... 1100 – –4.5dBFS 1101 – –3dBFS 1110 – –1.5dBFS 1111 – –1.5dBFS
ALCHLD	3:0	ALC hold time before gain is increased 0000 – 0ms 0001 – 2.67ms 0010 – 5.33ms ..... (time doubles with every step) 1001 – 0.68s 1010 or higher – 1.36s

**6.2.12 Register 20 – ADC Control 12, Default 0011 0010**

Bit Name	Bit	Description
ALCDCY	7:4	ALC decay (gain ramp up) time, ALC mode/limiter mode: 0000 – 410 us/90.8 us 0001 – 820 us/182us 0010 – 1.64 ms/363us ..... (time doubles with every step) 1001 – 210 ms/46.5 ms 1010 or higher – 420 ms/93 ms
ALCATK	3:0	ALC attack (gain ramp down) time, ALC mode/limiter mode: 0000 – 104 us/22.7 us 0001 – 208 us/45.4 us 0010 – 416 us/90.8 us ..... (time doubles with very step) 1001 – 53.2 ms/11.6 ms 1010 or higher – 106 ms/23.2 ms

**6.2.13 Register 21 – ADC Control 13, Default 0000 0110**

Bit Name	Bit	Description
ALCMODE	7	Determines the ALC mode of operation: 0 – ALC mode (Normal Operation) 1 – Limiter mode.
ALCZC	6	ALC uses zero cross detection circuit. 0 – disable (recommended) 1 – enable
TIME_OUT	5	Zero Cross time out 0 – disable (default) 1 – enable
WIN_SIZE	4:0	Windows size for peak detector, set the window size to N*16 samples 00110 – 96 samples (default) 00111 – 102 samples ..... 11111 – 496 samples

**6.2.14 Register 22 – ADC Control 14, Default 0000 0000**

Bit Name	Bit	Description
NGTH	7:3	Noise gate threshold 00000 – -76.5 dBFS 00001 – -75 dBFS ..... 11110 – -31.5 dBFS 11111 – -30 dBFS
NGG	2:1	Noise gate type x0 – PGA gain held constant 01 – mute ADC output 11 – reserved
NGAT	0	Noise gate function enable 0 – disable 1 – enable

**6.2.15 Register 43 – ADC Control 15, Default 0011 1000**

Bit Name	Bit	Description
slrck	7	0 – DACLRC and ADCLRC separate (default) 1 – DACLRC and ADCLRC same
lrck_sel	6	Master mode, if slrck = 1 then 0 – use DAC LRCK (default) 1 – use ADC LRCK
adc_dll_pwd	3	0 – normal (default) 1 – ADC DLL power down

## 7 Digital Audio Interface

The device provides four formats of serial audio data interface for the output from the ADC through LRCK, SCLK and SDOUT pins. The four formats are I<sup>2</sup>S, left justified, right justified and DSP/PCM mode. ADC data is out on ASDOUT and changes on the falling edge of ASCLK. The relationship of SDATA (SDOUT), SCLK and LRCK with the three formats is shown through Figure 3 to Figure 7.

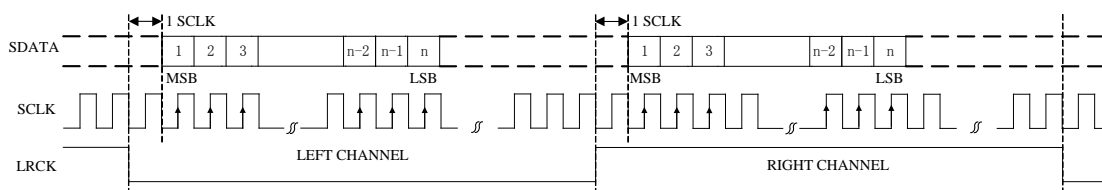


Figure 3 I<sup>2</sup>S Serial Audio Data Format Up To 24-bit

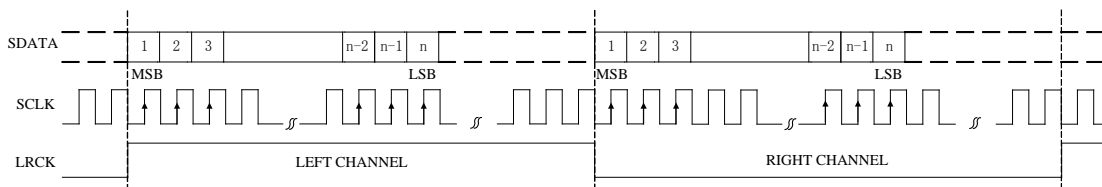


Figure 4 Left Justified Serial Audio Data Format Up To 24-bit

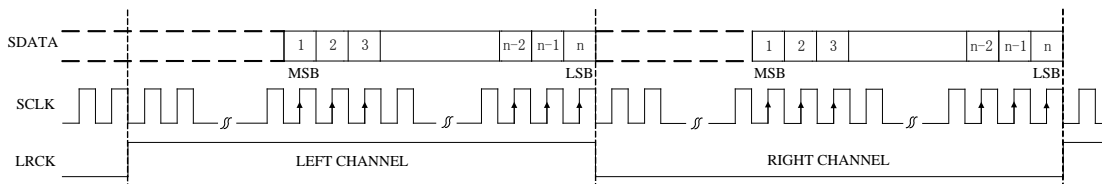


Figure 5 Right Justified Serial Audio Data Format Up To 24-bit

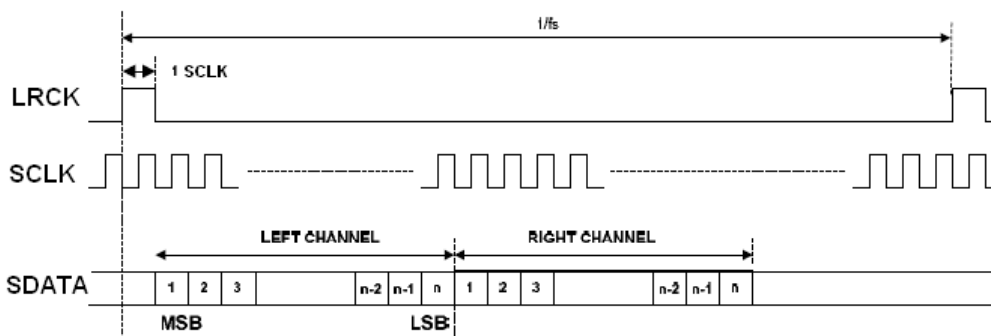


Figure 6 DSP/PCM Mode A

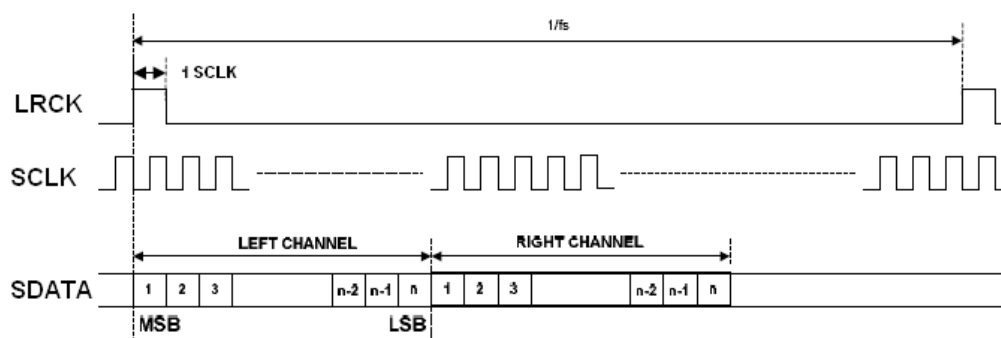


Figure 7 DSP/PCM Mode B

## 8 ELECTRICAL CHARACTERISTICS

### 8.1 Absolute Maximum Ratings

Continuous operation at or beyond these conditions may permanently damage the device.

PARAMETER	MIN	MAX
Analog Supply Voltage Level	-0.3V	+5.0V
Digital Supply Voltage Level	-0.3V	+5.0V
Input Voltage range	DGND-0.3V	DVDD+0.3V
Operating Temperature Range	-40°C	+85°C
Storage Temperature	-65°C	+150°C

### 8.2 Recommended Operating Conditions

PARAMETER	MIN	TYP	MAX	UNIT
Analog Supply Voltage Level	1.7	3.3	3.6	V
Digital Supply Voltage Level	1.5	1.8	3.6	V

### 8.3 ADC Analog and Filter Characteristics and Specifications

Test conditions are as the following unless otherwise specify:

AVDD=+3.3V, DVDD=+1.8V, AGND=0V, DGND=0V, Ambient

temperature=+25°C, Fs=48 KHz, 96 KHz or 192 KHz, MCLK/LRCK=256.

PARAMETER	MIN	TYP	MAX	UNIT
<i>ADC Performance</i>				
Dynamic Range (Note 1)	85	95	98	dB
THD+N	-88	-85	-75	dB
Channel Separation (1KHz)	80	85	90	dB
Signal to Noise ratio	85	95	98	dB
Interchannel Gain Mismatch		0.1		dB
Gain Error			±5	%
<i>Filter Frequency Response – Single Speed</i>				
Passband	0		0.4535	Fs

Stopband	0.5465			Fs
Passband Ripple			$\pm 0.05$	dB
Stopband Attenuation	50			dB
<i>Filter Frequency Response – Double Speed</i>				
Passband	0		0.4167	Fs
Stopband	0.5833			Fs
Passband Ripple			$\pm 0.005$	dB
Stopband Attenuation	50			dB
<i>Analog Input</i>				
Full Scale Input Level		AVDD/3.3		V <sub>rms</sub>
Input Impedance		20		K $\Omega$

Note

1. The value is measured used A-weighted filter.

#### 8.4 Power Consumption Characteristics

PARAMETER	MIN	TYP	MAX	UNIT
<i>Normal Operation Mode</i>				
DVDD=1.8V, PVDD=1.8V, AVDD=1.8V: Record		9		mW
DVDD=3.3V, PVDD=3.3V, AVDD=3.3V: Record		30		
<i>Power Down Mode</i>				
DVDD=1.8V, PVDD=1.8V, AVDD=1.8V		0.3		mW
DVDD=3.3V, PVDD=3.3V, AVDD=3.3V		1.9		

#### 8.5 Serial Audio Port Switching Specifications

PARAMETER	Symbol	MIN	MAX	UNIT
MCLK frequency			51.2	MHz
MCLK duty cycle		40	60	%
LRCK frequency			200	KHz
LRCK duty cycle		40	60	%
SCLK frequency			26	MHz
SCLK pulse width low	T <sub>SCLKL</sub>	15		ns
SCLK Pulse width high	T <sub>SCLKH</sub>	15		ns
SCLK falling to LRCK edge	T <sub>SLR</sub>	- 10	10	ns
SCLK falling to SDOUT valid	T <sub>SDO</sub>	0		ns
SDIN valid to SCLK rising setup time	T <sub>SDIS</sub>	10		ns
SCLK rising to SDIN hold time	T <sub>SDIH</sub>	10		ns

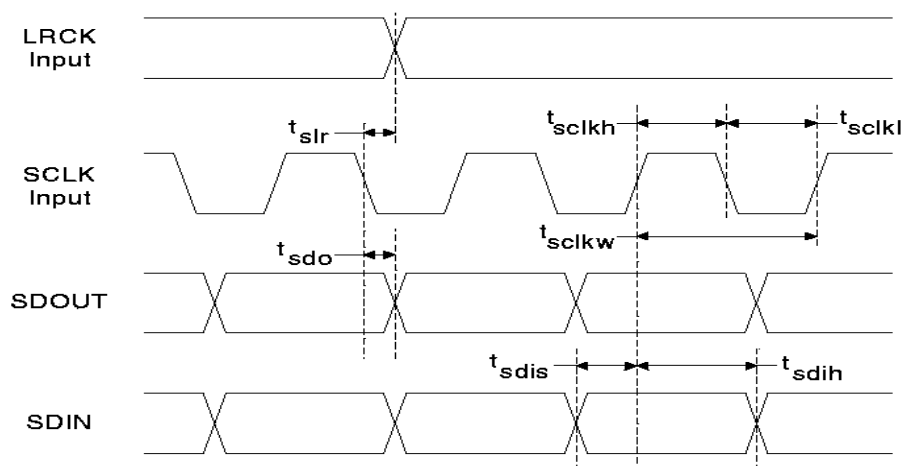


Figure 8 Serial Audio Port Timing

### 8.6 Serial Control Port Switching Specifications

PARAMETER	Symbol	MIN	MAX	UNIT
<i>SPI Mode</i>				
SPI_CLK clock frequency			10	MHz
SPI_CLK edge to SPI_CS <sub>n</sub> falling	T <sub>SPICS</sub>	5		ns
SPI_CS <sub>n</sub> High Time Between transmissions	T <sub>SPISH</sub>	500		ns
SPI_CS <sub>n</sub> falling to SPI_CLK edge	T <sub>SPISC</sub>	10		ns
SPI_CLK low time	T <sub>SPICL</sub>	45		ns
SPI_CLK high time	T <sub>SPICH</sub>	45		ns
SPI_DIN to SPI_CLK rising setup time	T <sub>SPIDS</sub>	10		ns
SPI_CLK rising to DATA hold time	T <sub>SPIDH</sub>	15		ns
<i>2-wire Mode</i>				
SCL Clock Frequency	F <sub>SCL</sub>		100	KHz
Bus Free Time Between Transmissions	T <sub>TWID</sub>	4.7		us
Start Condition Hold Time	T <sub>TWSTH</sub>	4.0		us
Clock Low time	T <sub>TWCL</sub>	4.0		us
Clock High Time	T <sub>TWCH</sub>	4.0		us
Setup Time for Repeated Start Condition	T <sub>TWSTS</sub>	4.7		us
SDA Hold Time from SCL Falling	T <sub>TWDH</sub>	0.1		us
SDA Setup time to SCL Rising	T <sub>TWDS</sub>	100		ns
Rise Time of SCL	T <sub>TWR</sub>		25	us
Fall Time SCL	T <sub>TWF</sub>		25	ns

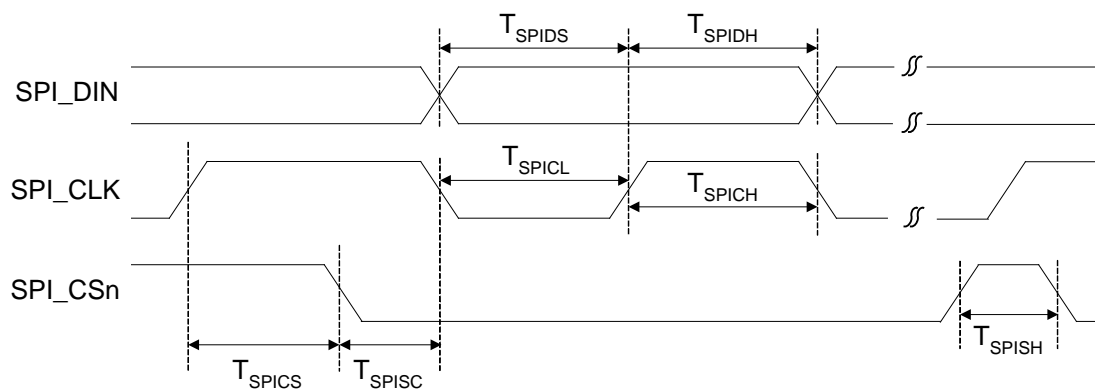


Figure 9 Serial Control Port SPI Timing

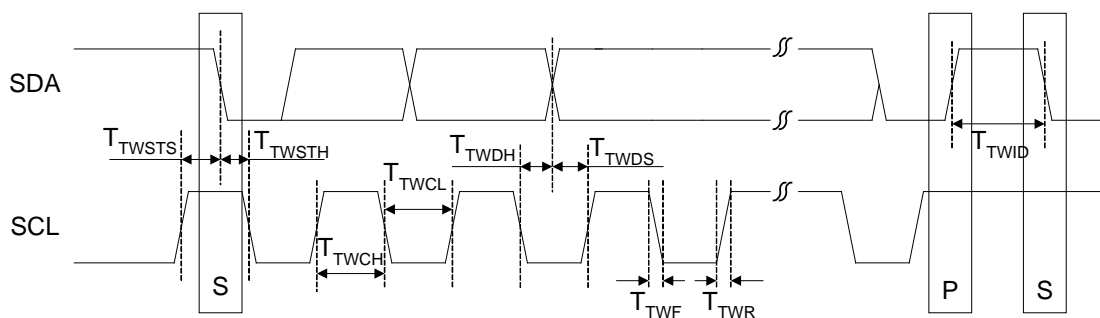
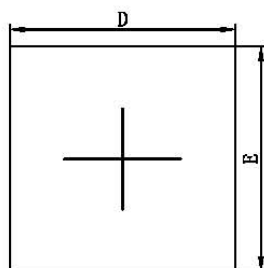


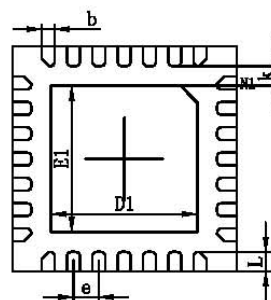
Figure 10 Serial Control Port 2-wire Timing

## 9 PACKAGE INFORMATION

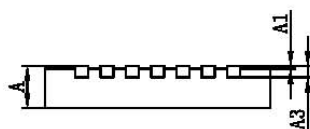
QFNWB4×4-28L-A(P0.45T0.75/0.85)PACKAGE OUTLINE DIMENSIONS



TOP VIEW



BOTTOM VIEW



SIDE VIEW

Symbol	Dimensions In Millimeters		Dimensions In Inches	
	Min.	Max.	Min.	Max.
A	0.700/0.800	0.800/0.900	0.028/0.031	0.031/0.035
A1	0.000	0.050	0.000	0.002
A3	0.203REF.		0.008REF.	
D	3.924	4.076	0.154	0.160
E	3.924	4.076	0.154	0.160
E1	2.500	2.700	0.098	0.106
D1	2.500	2.700	0.098	0.106
k	0.200MIN		0.008MIN	
b	0.180	0.280	0.007	0.011
e	0.450TYP.		0.018TYP.	
L	0.274	0.426	0.011	0.017



## 10 CORPORATION INFORMATION

Everest Semiconductor Co., Ltd.

苏州工业园区机场路 328 号，国际科技园区科技广场 6A，邮编 215028

Email: [info@everest-semi.com](mailto:info@everest-semi.com)

## X-ON Electronics

Largest Supplier of Electrical and Electronic Components

*Click to view similar products for [Interface - CODECs](#) category:*

*Click to view products by [Everest](#) manufacturer:*

Other Similar products are found below :

[CS4205-KQZ](#) [ZL38015QCG1](#) [MAX98090AEWJ+T](#) [WM9713CLGEFLV](#) [LE58QL061BVC](#) [MAX9867ETJ+G3U](#) [ADAU1777BCBZRL](#)  
[WM8944BECS/R](#) [TDA7293V-E](#) [WM8998ECS/R](#) [WM8778SEDS/V](#) [CS42L73-CRZR](#) [WM8750CJLGEFL](#) [STA529Q](#) [SSM2603CPZ-REEL](#)  
[TLV320AIC14IDBT](#) [TLV320AIC23BIPWRQ1](#) [TLV320AIC23IPW](#) [TVP5151PBSR](#) [MAX98090BETL+](#) [MAX98089ETN+](#)  
[MAX98089ETNT](#) [TLV320AIC34IZASR](#) [TLV320AIC3262IYZFR](#) [SA612AD/01.112](#) [ADAU1372BCPZ-RL](#) [MAX98090AETL+](#)  
[MAX9880AETM](#) [WM8962ECSN/R](#) [TLV320DAC3203IRGER](#) [WM8904CGEFL/RV](#) [6PAIC3106IRGZRQ1](#) [CS42436-DMZ](#)  
[TSCS25A3X1NDGXZAX](#) [BU94502CMUV-E2](#) [TDA8932BT/N2.112](#) [TDA8954J/N1.112](#) [ICS512MLF](#) [92HD73C1T5PRGIC1X](#)  
[92HD73C1X5PRGXC1X](#) [SSM2167-1RMZ](#) [AD1836AASZ](#) [AD1836ACSZ](#) [AD1928YSTZ](#) [AD1937WBSTZ](#) [AD1938WBSTZ](#)  
[AD1939WBSTZ](#) [AD73311ARSZ](#) [AD73311ARZ](#) [AD73311LARUZ](#)