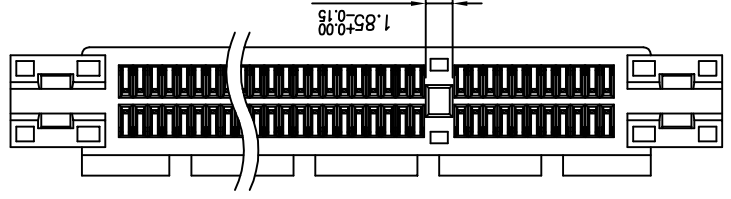
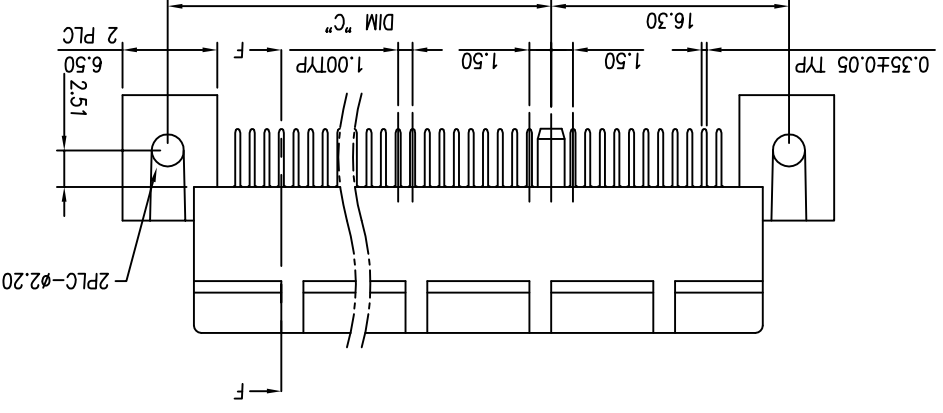
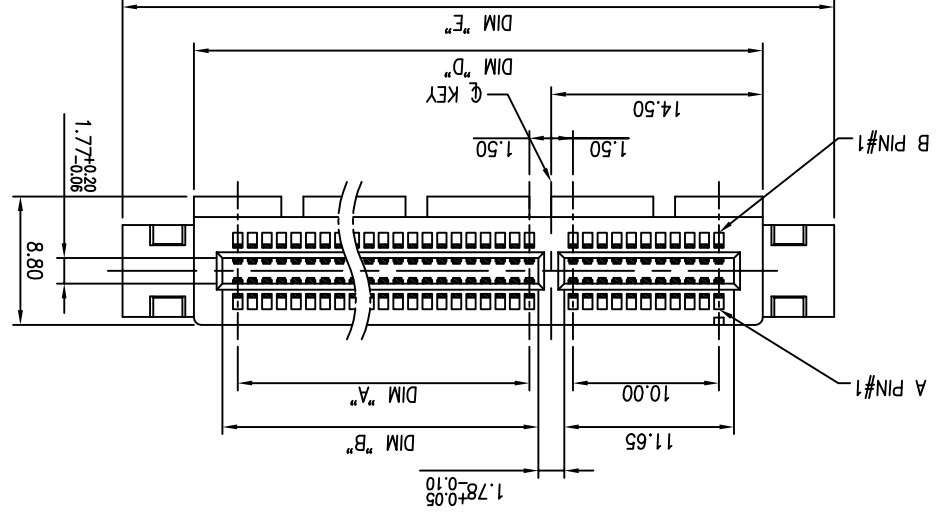
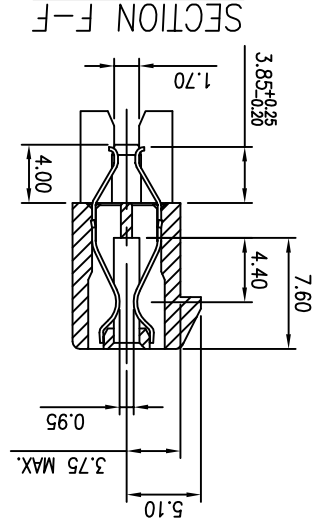
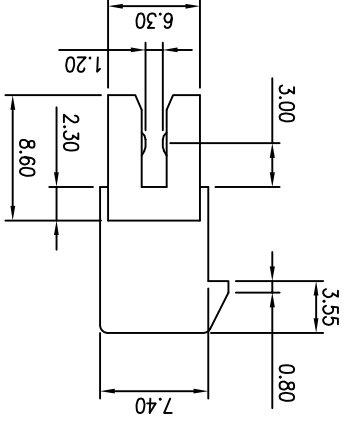


STRADDLE MOUNT  
WITH MOUNTING EAR TYPE



DIMENSIONS

POSITION	A ±0.20	B $+0.15$ $-0.05$	C ±0.20	D ±0.25	E ±0.30
36	6	7.65	12.30	25.00	34.8
64	20	21.65	26.30	39.00	48.8
98	37	38.65	43.30	56.00	65.8
164	70	71.65	76.30	89.00	98.8



- NOTES:
1. MATERIAL: UL94V-0; 1.1 HOUSING: THERMOPLASTIC, HIGH TEMP., COLOR: BLACK.
  - 1.2 CONTACTS: COPPER ALLOY.
  2. FINISH: SELECTIVE GOLD PLATING ON CONTACT AREA. 100µ" MIN. MATTE TIN PLATING ON SOLDER TAILS. 50µ" MIN. NICKEL UNDERPLATING OVERALL.
  3. PRODUCT SPEC.: PS-3G10-01

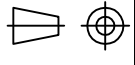
REV	ECN NO.	NAME	DATE	.XXX±.10	.XXX±.20	.XXX±.30	.X±.40	ANGLES	LINEAR	TOLERANCE
E	10041	Terry	Jun,08,2011	X.±.40	X.±.40	X.±.40	X.±.40	ANGLES	LINEAR	
D	10017	Terry	Apr,15,2010	X.±.40	X.±.40	X.±.40	X.±.40	ANGLES	LINEAR	
C	09041	Terry	Jan,20,2009	X.±.30	X.±.30	X.±.30	X.±.30	ANGLES	LINEAR	
B	08048	Schumi	Aug,19,2008	X.±.20	X.±.20	X.±.20	X.±.20	ANGLES	LINEAR	
REV	ECN NO.	NAME	DATE	.XXX±.10	.XXX±.20	.XXX±.30	.X±.40	ANGLES	LINEAR	TOLERANCE

DRWN: Terry  
CHKD: Schumi  
APPD: Jason  
MATERIAL: Jason

QTY:   
FINISH:   
DWG NO. 312607001  
PART NO. 3126-10X0D

Umax conn  
DONGGUAN UMAXCONN ENTERPRISE LIMITED  
东莞市友贸实业有限公司

TITLE: PCI EXPRESS 1.0mm  
CARD EDGE ASSY, STRADDLE MOUNT TYPE

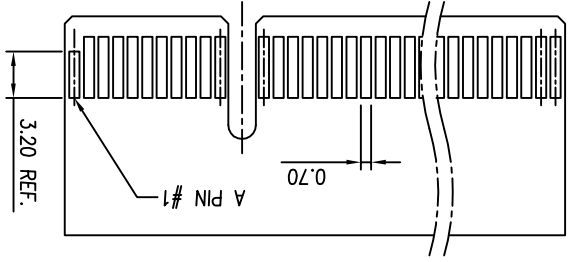


8	7	6	5	4	3	2	1
CUSTOMER							
E	1 OF 6	SCALE	SHEET	REV			

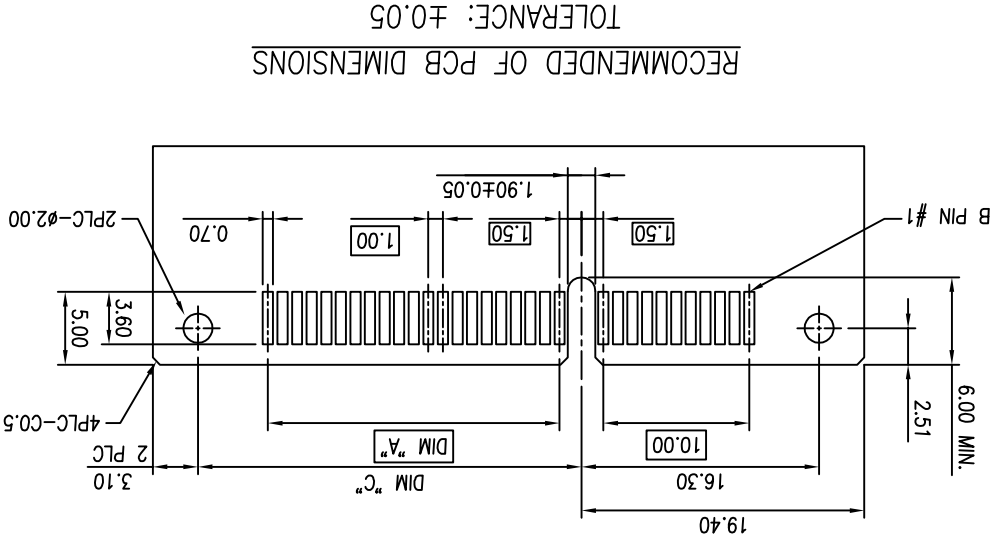
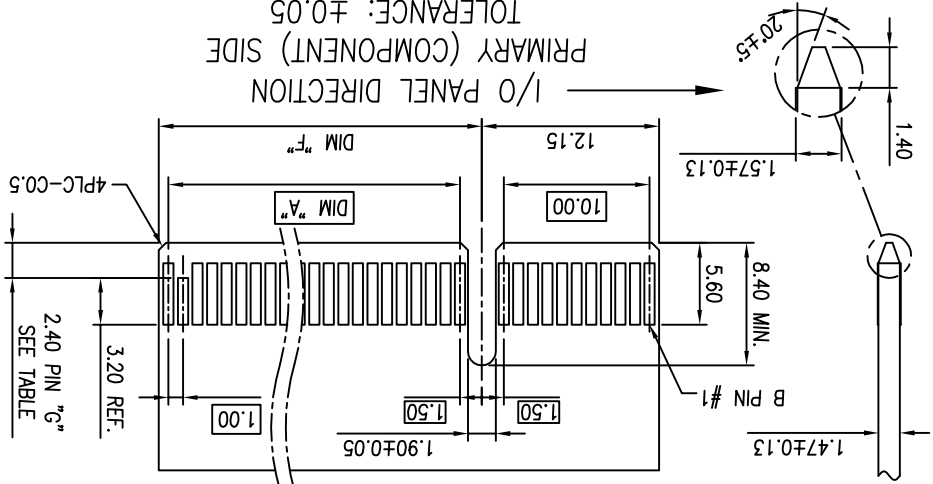
POSITION	DIM. A	DIM. C	DIM. F	PIN "G"
36	6	12.30	8.15	B PIN #B17
64	20	26.30	22.15	B PIN #B31
98	37	43.30	39.15	B PIN #B48
164	70	76.30	72.15	B PIN #B81

DIMENSIONS

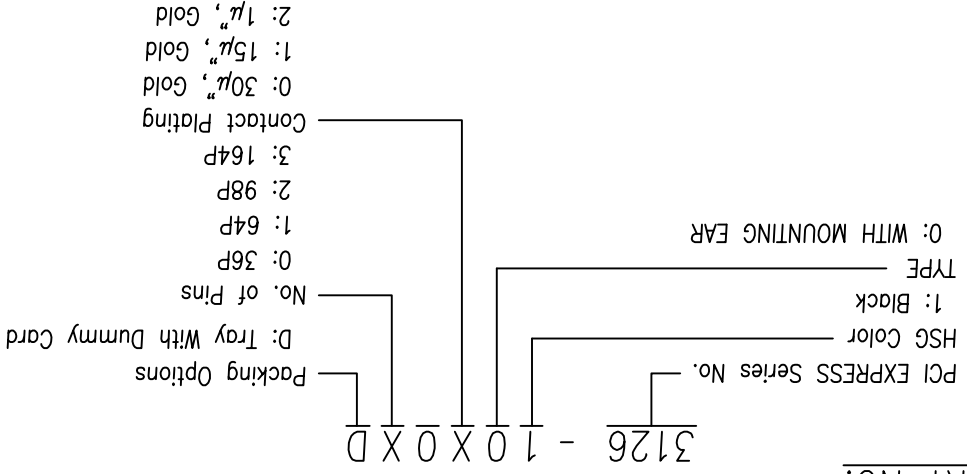
I/O PANEL DIRECTION  
SECONDARY (SOLDER) SIDE



I/O PANEL DIRECTION  
PRIMARY (COMPONENT) SIDE



RECOMMENDED OF PCB DIMENSIONS  
TOLERANCE: ±0.05



PART NO.



UMax  
DONGGUAN UMAXCONN ENTERPRISE LIMITED  
东莞市友贸实业有限公司

TITLE: PCI EXPRESS 1.0mm  
CARD EDGE ASSY, SADDLE MOUNT TYPE

PART NO. 3126-10X0XD

DWG NO. 312607001

REV See Sheet 1

DATE .XXX .XX .XX

DRWN: Terry

Q'TY:

UNITS MM

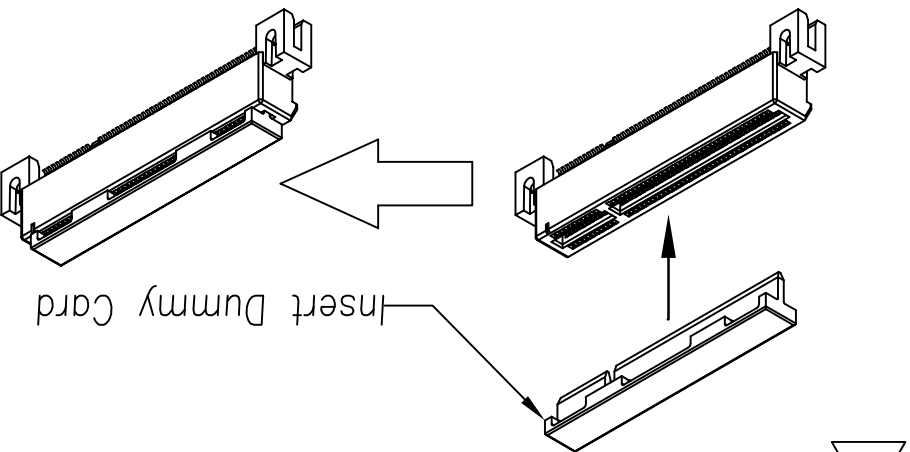
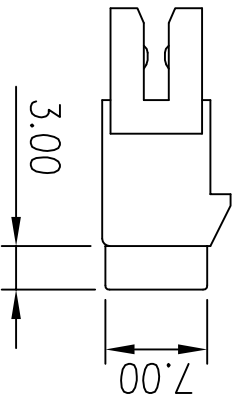
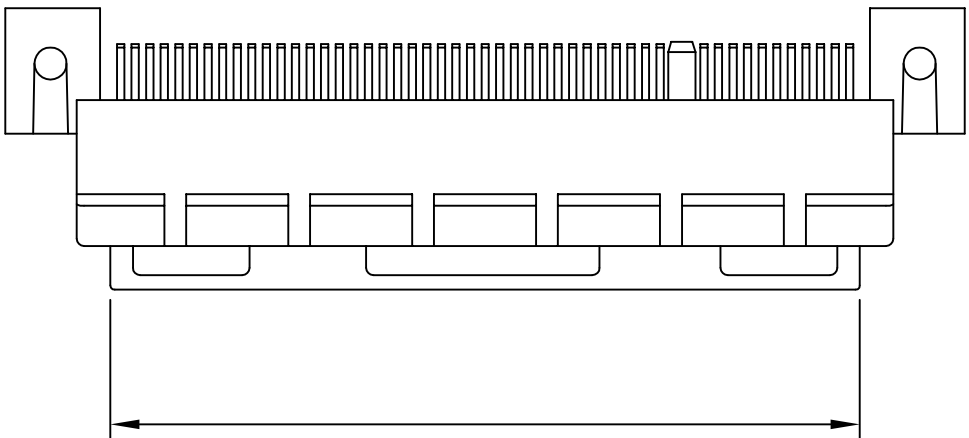
SCALE 1 : 1

SHEET 2 OF 6

REV E

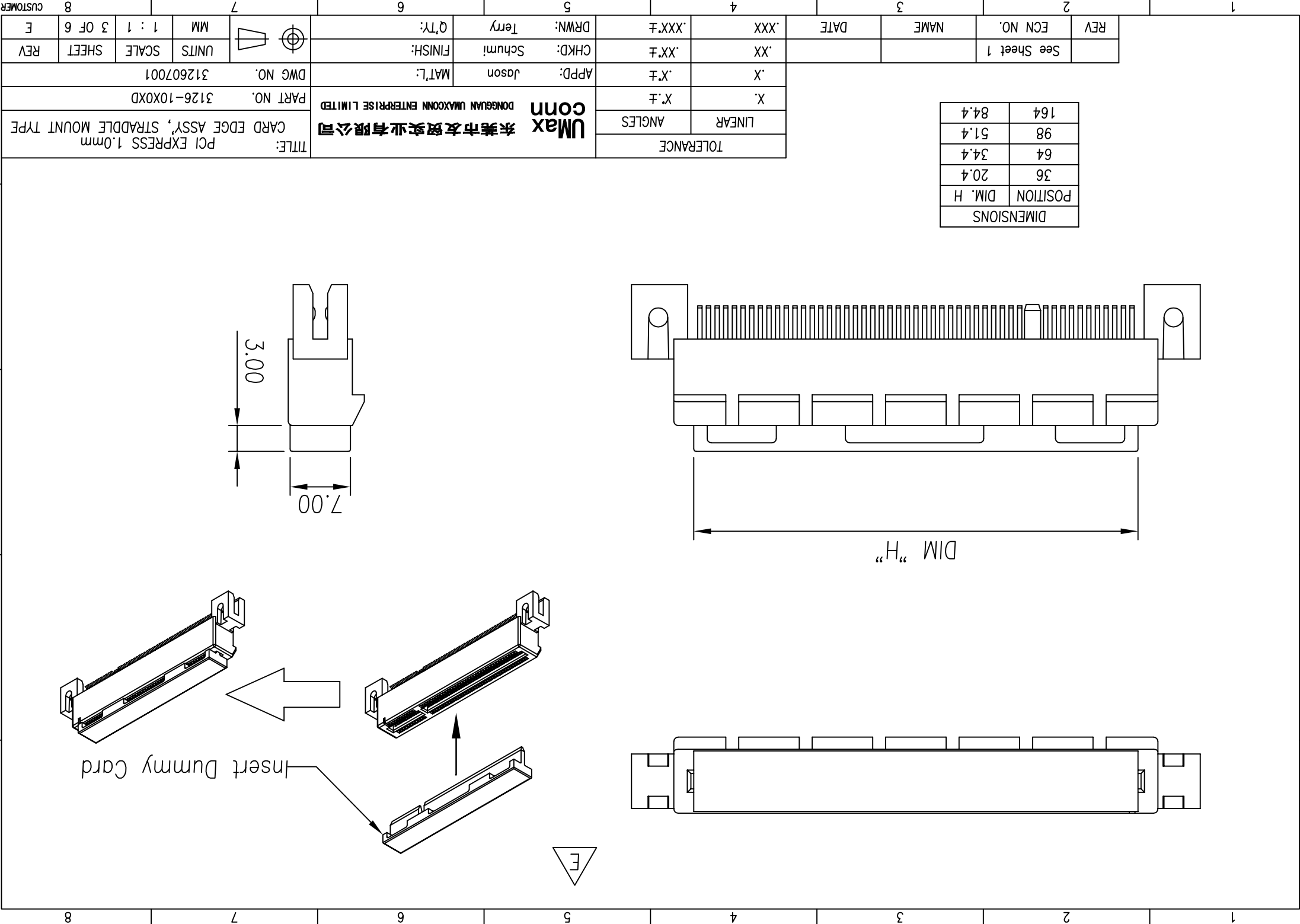
CUSTOMER 8

DIMENSIONS	
POSITION	DIM. H
164	84.4
98	51.4
64	34.4
36	20.4



TOLERANCE	
LINEAR	ANGLES
X.	X.±
.X	.X±
.XX	.XX±
.XXX	.XXX±

DRWN: Terry	CHKD: Schumi	APPD: Jason	DWG NO. 312607001	TITLE: PCI EXPRESS 1.0mm CARD EDGE ASSY; STRADDLE MOUNT TYPE	
Q'TY:	FINISH:	MAT'L:	PART NO. 3126-10X0XD	DONGGUAN UMAXCONN ENTERPRISE LIMITED	
		UNITS: MM	SCALE: 1:1	SHEET: 3 OF 6	REV: E



## X-ON Electronics

Largest Supplier of Electrical and Electronic Components

*Click to view similar products for [Standard Card Edge Connectors](#) category:*

*Click to view products by [UMAX](#) manufacturer:*

Other Similar products are found below :

[6565204-6](#) [PKC-156](#) [1437274-4](#) [147889-1](#) [1489165-4](#) [EBT156-12B1X](#) [EBT15622B2X](#) [EBT156-22R2W](#) [1-582587-1](#) [1-582589-1](#) [2-6437275-9](#) [284-0102-12100](#) [306022901000000](#) [307-012-502-202](#) [307-024-526-201](#) [307-056-520-300](#) [307-080-526-208](#) [1926088-2](#) [245-062-520-350](#) [287-0032-12101](#) [306-010-500-112](#) [306-028-525-102](#) [306-240-318](#) [307-036-502-202](#) [307-036-521-301](#) [307-072-526-202](#) [345-060-559-303](#) [368-004-520-201](#) [392-008-559-201](#) [534671-1](#) [5-530501-5](#) [341-240-317](#) [345-029-520-300](#) [345-030-500-301](#) [345-044-500-300](#) [345-220-058](#) [346-240-318](#) [357-030-526-201](#) [387-012-523-300](#) [395-044-520-300](#) [395-100-524-300](#) [50-12B-10](#) [50-6SN-5](#) [09-07-2032](#) [10035388-106LF](#) [10035388-802LF](#) [10115859-011LF](#) [10122859-009LF](#) [101269333204245CLF](#) [10127905-B04B24BLF](#)