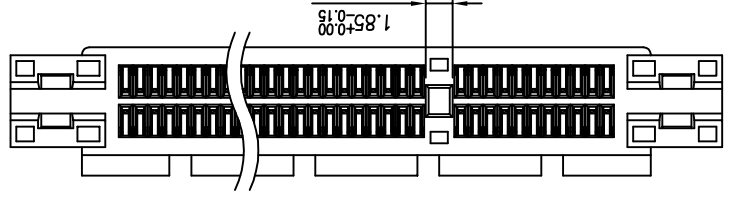
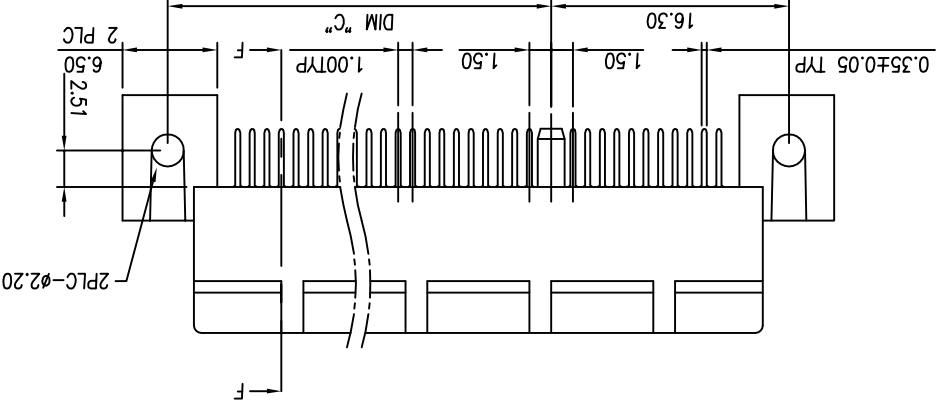
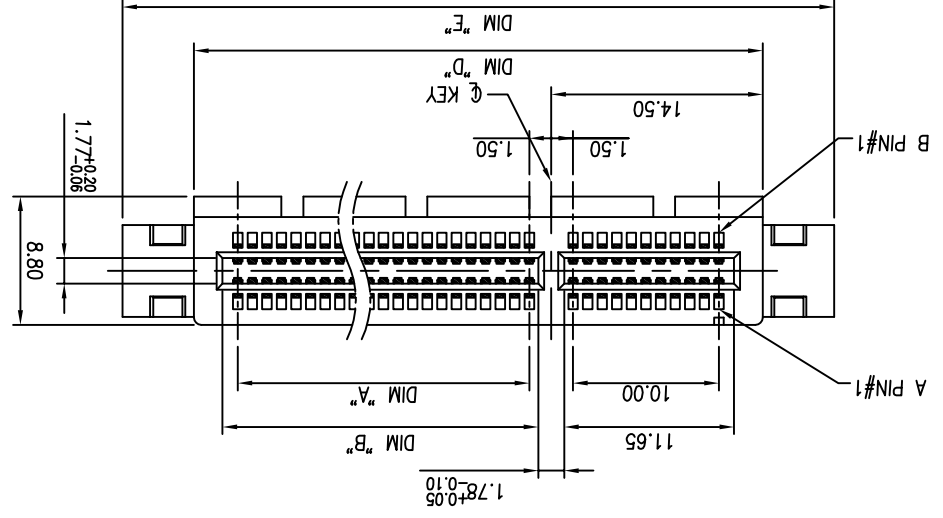
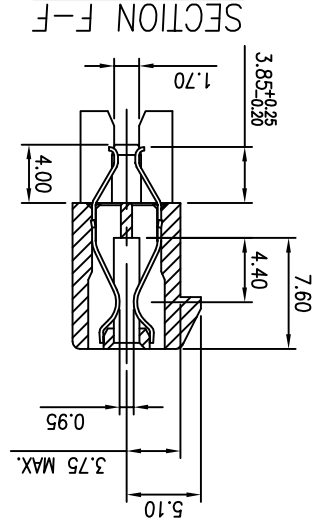
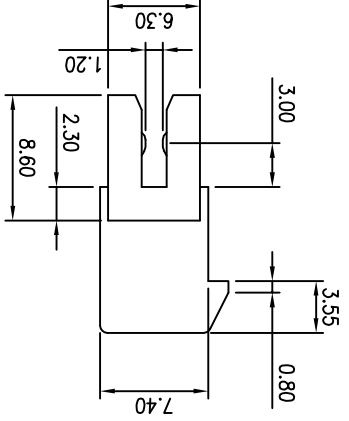


STRADDLE MOUNT
WITH MOUNTING EAR TYPE



DIMENSIONS

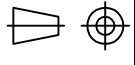
POSITION	A ±0.20	B ^{+0.15} _{-0.05}	C ±0.20	D ±0.25	E ±0.30
36	6	7.65	12.30	25.00	34.8
64	20	21.65	26.30	39.00	48.8
98	37	38.65	43.30	56.00	65.8
164	70	71.65	76.30	89.00	98.8



- NOTES:
1. MATERIAL: UL94V-0; 1.1 HOUSING: THERMOPLASTIC, HIGH TEMP.
 2. FINISH: 1.2 CONTACTS: COPPER ALLOY. COLOR: BLACK.
 - 2.1 CONTACT: SELECTIVE GOLD PLATING ON CONTACT AREA. 100µ" MIN. MATTE TIN PLATING ON SOLDER TAILS. 50µ" MIN. NICKEL UNDERPLATING OVERALL.
 3. PRODUCT SPEC.: PS-3G10-01

REV	ECN NO.	NAME	DATE	.XXX±.10	.XXX±.20	.XXX±.30	.X±.40	LINEAR ANGLES	TOLERANCE
E	10041	Terry	Jun,08,2011	X.±	X.±	X.±	X.±	APPD: Jason	Umax conn
D	10017	Terry	Apr,15,2010	X.±	X.±	X.±	X.±	APPD: Jason	Umax conn
C	09041	Terry	Jan,20,2009	X.±	X.±	X.±	X.±	APPD: Jason	Umax conn
B	08048	Schumi	Aug,19,2008	X.±	X.±	X.±	X.±	CHKD: Schumi	Umax conn
REV	ECN NO.	NAME	DATE	.XXX±.10	.XXX±.20	.XXX±.30	.X±.40	DRWN: Terry	Umax conn

PART NO. 3126-10X0D
DWG NO. 312607001
TITLE: PCI EXPRESS 1.0mm CARD EDGE ASSY, STRADDLE MOUNT TYPE
DONGGUAN UMAXCONN ENTERPRISE LIMITED
东莞市友贸实业有限公司



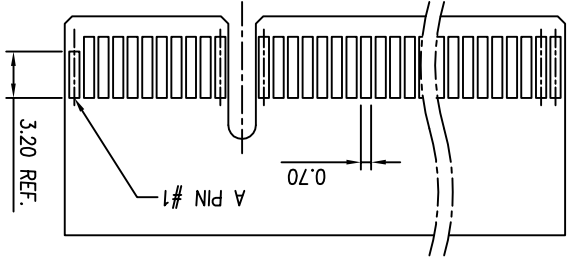
MM	UNITS	SCALE	SHEET	REV
1 : 1	SCALE	1 OF 6	SHEET	REV

8 CUSTOMER

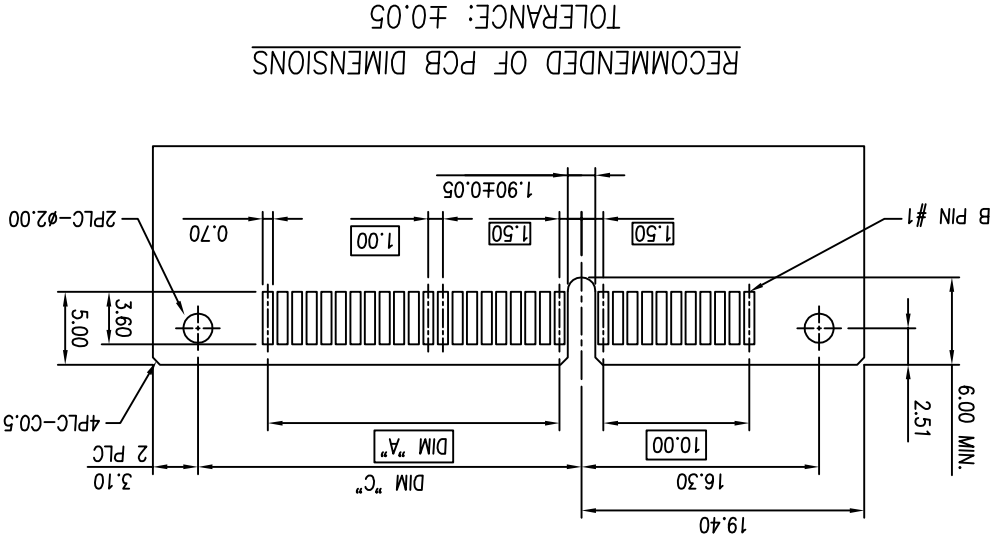
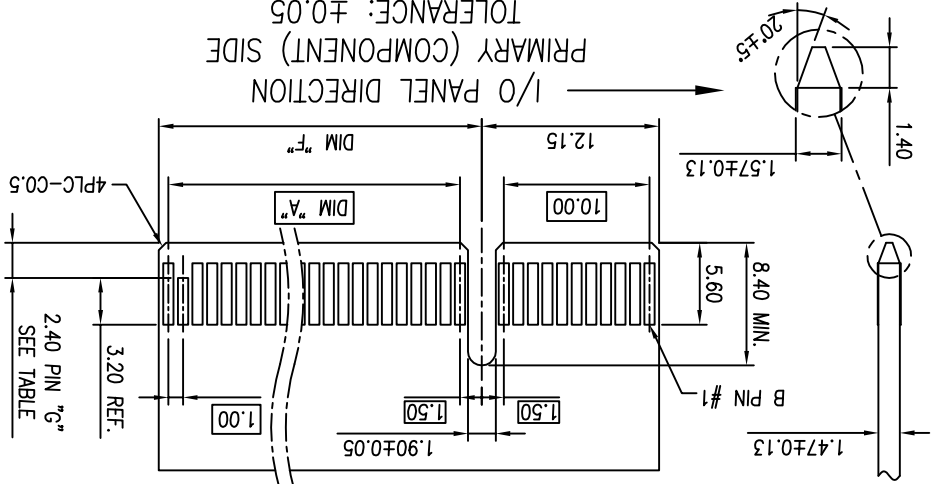
POSITION	DIM. A	DIM. C	DIM. F	PIN "G"
36	6	12.30	8.15	B PIN #B17
64	20	26.30	22.15	B PIN #B31
98	37	43.30	39.15	B PIN #B48
164	70	76.30	72.15	B PIN #B81

DIMENSIONS

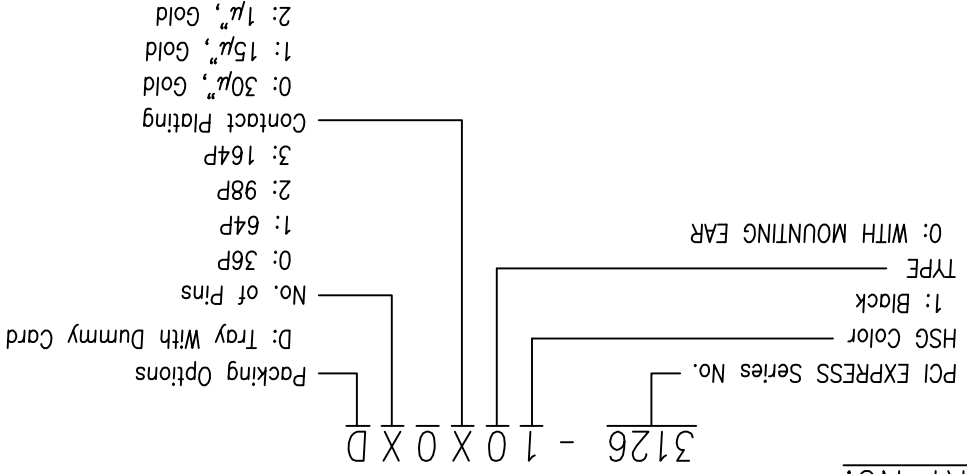
I/O PANEL DIRECTION
SECONDARY (SOLDER) SIDE



I/O PANEL DIRECTION
PRIMARY (COMPONENT) SIDE



RECOMMENDED OF PCB DIMENSIONS
TOLERANCE: ±0.05



REV		ECN NO.	NAME	DATE	.XXX	.XXX	.XXX	DRWN: Terry	Q'TY:	7		8	
See Sheet 1					.XX	.XX	.XX	CHKD: Schumi	FINISH:	UNITS	SCALE	SHEET	REV
X		X	X	X	X	X	X	APPD: Jason	MAT'L:	DWG NO.	312607001		
X		LINEAR		ANGLES		X		DONGGUAN UMAXCONN ENTERPRISE LIMITED		PART NO.	3126-10X0XD		
TOLERANCE		TITLE:		PCI EXPRESS 1.0mm		CARD EDGE ASSY, SADDLE MOUNT TYPE		UMax conn		DONGGUAN UMAXCONN ENTERPRISE LIMITED			

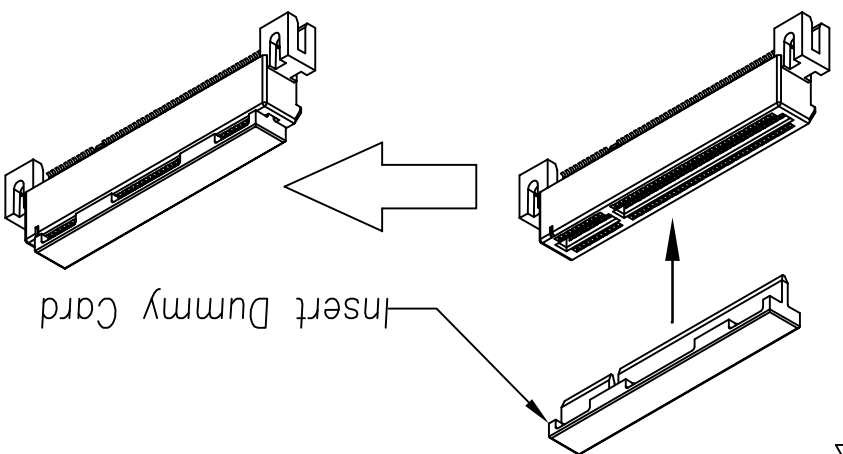
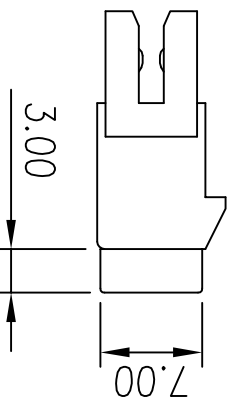
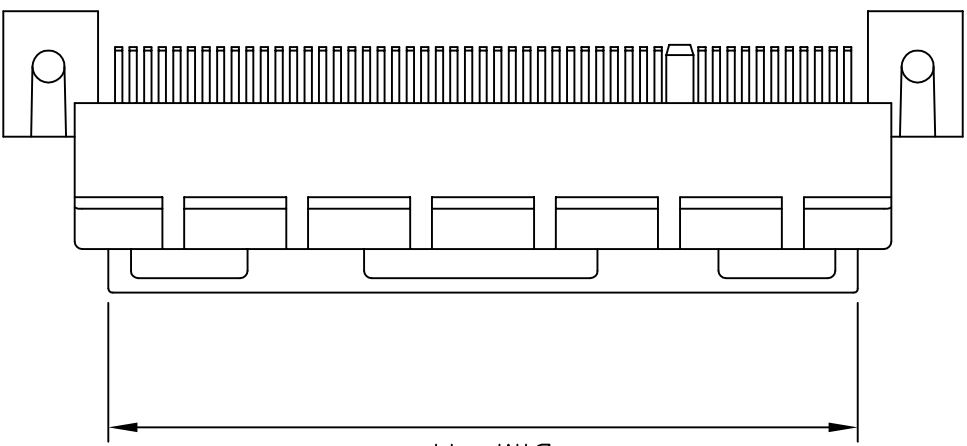
PART NO.



3126

10X0XD

DIMENSIONS	
POSITION	DIM. H
164	84.4
98	51.4
64	34.4
36	20.4



TOLERANCE		X.		.X.		.XX		.XXX		.XXX±		DRWN: Terry		Q'TY:	
LINEAR		ANGLES		X.±		.X.±		.XX±		.XXX±		CHKD: Schumi		FINISH:	
APPD: Jason		MAT'L:		DWG NO. 3126-10X0D		PART NO. 3126-10X0D		DONGGUAN UMAXCONN ENTERPRISE LIMITED		UMax conn		DONGGUAN UMAXCONN ENTERPRISE LIMITED		TITLE: PCI EXPRESS 1.0mm	
CARD EDGE ASSY; STRADDLE MOUNT TYPE		GARD EDGE ASSY; STRADDLE MOUNT TYPE		PRT NO. 3126-10X0D		APPD: Jason		MAT'L:		DWG NO. 312607001		REV		E	

REV		ECN NO.		NAME		DATE		.XXX		.XXX±		DRWN: Terry		Q'TY:	
See Sheet 1		.XX		.XX		.XX±		.XXX		.XXX±		CHKD: Schumi		FINISH:	
APPD: Jason		MAT'L:		DWG NO. 312607001		PART NO. 3126-10X0D		DONGGUAN UMAXCONN ENTERPRISE LIMITED		UMax conn		DONGGUAN UMAXCONN ENTERPRISE LIMITED		TITLE: PCI EXPRESS 1.0mm	
CARD EDGE ASSY; STRADDLE MOUNT TYPE		GARD EDGE ASSY; STRADDLE MOUNT TYPE		PRT NO. 3126-10X0D		APPD: Jason		MAT'L:		DWG NO. 312607001		REV		E	

CUSTOMER 8

1 2 3 4 5 6 7 8

A B C D E

X-ON Electronics

Largest Supplier of Electrical and Electronic Components

Click to view similar products for [Standard Card Edge Connectors](#) category:

Click to view products by [UMAX](#) manufacturer:

Other Similar products are found below :

[6565204-6](#) [PKC-156](#) [1437274-4](#) [147889-1](#) [1489165-4](#) [EBT156-12B1X](#) [EBT15622B2X](#) [EBT156-22R2W](#) [1-582587-1](#) [1-582589-1](#) [2-6437275-9](#) [284-0102-12100](#) [306022901000000](#) [307-012-502-202](#) [307-024-526-201](#) [307-056-520-300](#) [307-080-526-208](#) [1926088-2](#) [245-062-520-350](#) [287-0032-12101](#) [306-010-500-112](#) [306-028-525-102](#) [306-240-318](#) [307-036-502-202](#) [307-036-521-301](#) [307-072-526-202](#) [345-060-559-303](#) [368-004-520-201](#) [392-008-559-201](#) [534671-1](#) [5-530501-5](#) [341-240-317](#) [345-029-520-300](#) [345-030-500-301](#) [345-044-500-300](#) [345-220-058](#) [346-240-318](#) [357-030-526-201](#) [387-012-523-300](#) [395-044-520-300](#) [395-100-524-300](#) [50-12B-10](#) [50-6SN-5](#) [09-07-2032](#) [10035388-106LF](#) [10035388-802LF](#) [10115859-011LF](#) [10122859-009LF](#) [101269333204245CLF](#) [10127905-B04B24BLF](#)