

1 2 3 4 5 6 7 8

POSITION	A	B	C	D	E
36	6	7.65	9.15	25.00	27.00
64	20	21.65	23.15	39.00	41.00
98	37	38.65	40.15	56.00	58.00
164	70	71.65	73.15	89.00	91.00

DIMENSIONS

**NOTES:**

- MATERIAL: 1.1 HOUSING: THERMOPLASTIC, HIGH TEMP, UL94V-0, COLOR: BLACK.
- CONTACTS: COPPER ALLOY.
- CONTACTS: COPPER ALLOY.
- HOLDDOWN: COPPER ALLOY.
- FINISH: 2.1 CONTACT: SELECTIVE GOLD PLATING ON CONTACT AREA.
- CONTACT: 100µ" MIN. MATTE TIN PLATING ON SOLDER TAILS, 50µ" MIN. NICKEL UNDERPLATING OVERALL.
- HOLDDOWN: 50µ" MIN. NICKEL UNDERPLATING OVERALL.
- HOLDDOWN: 100µ" MIN. MATTE TIN PLATING WITH 50µ" MIN. NICKEL UNDERPLATE OVERALL.

PART NO. 3113 - 1 X X X

PCI EXPRESS Series No.

Packing Options  
 T: Tray Without Cap  
 C: Tray With Cap  
 N: Tray With Mylar  
 R: Tape & Reel Packaging  
 Without Cap  
 (For 36 & 64P)  
 P: Tape & Reel Packaging  
 With Cap  
 (For 36 & 64P)  
 M: Tape & Reel Packaging  
 With Mylar  
 (For 36 & 64P)

HSG Color  
 1: Black  
 Contact Plating  
 0: 30µ" Gold  
 1: 15µ" Gold  
 2: 1µ" Gold  
 POS. Options  
 0: 36 Pin  
 1: 64 Pin  
 2: 98 Pin  
 3: 164 Pin

REV	ECN NO.	NAME	DATE	.XXX±0.10	.XXX±	DRWN:	Q'TY:
A	09038	Terry	Aug.13,2009	.XX±	.XX±	Schumi	
B	11059	Terry	Oct,06,2011	.X±	.X±	Jason	

TITLE: PCI EXPRESS SMT TYPE WITH POST

PART NO. 3113-1XXX

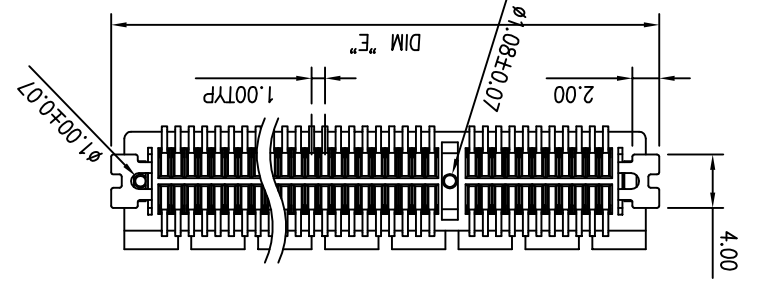
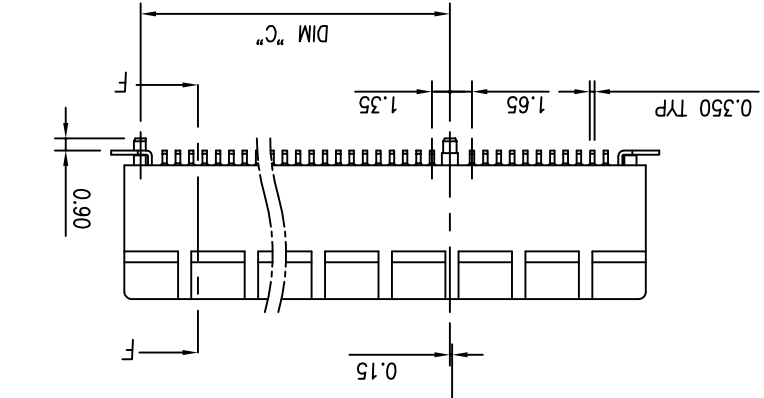
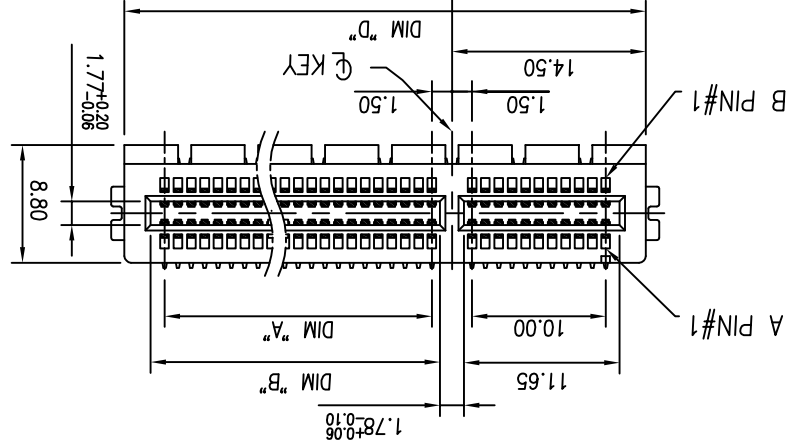
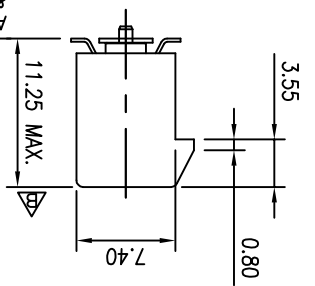
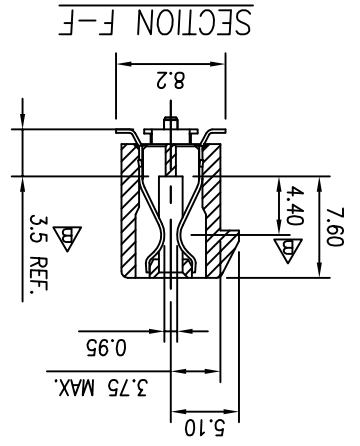
DWG NO. 311307001

REV SHEET SHEET

1 OF 2

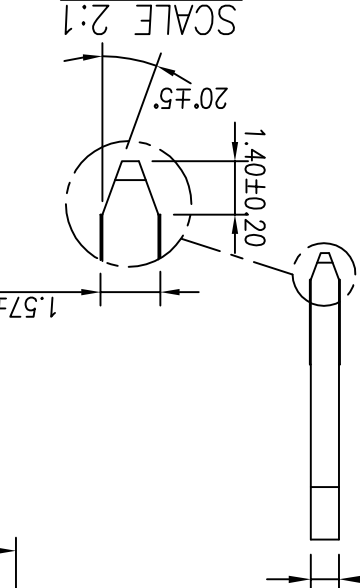
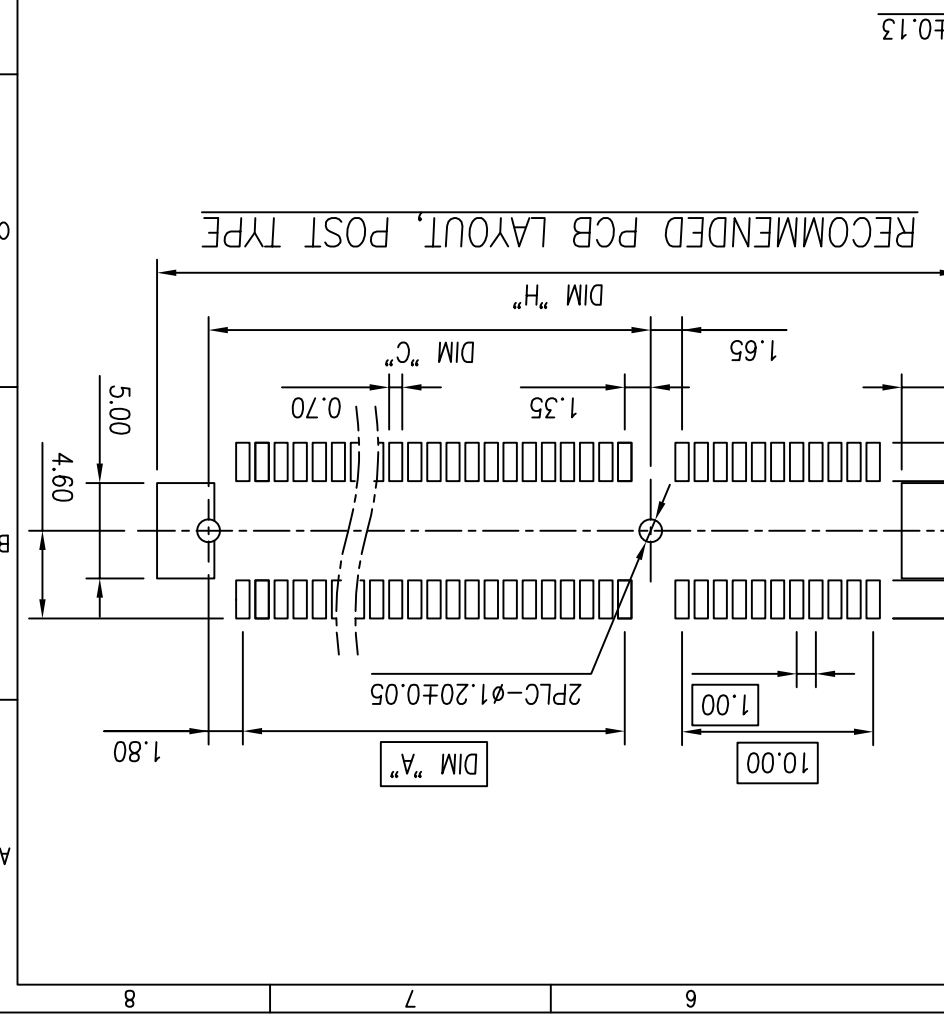
8 CUSTOMER

**Umax**  
 东莞市外贸实业有限公司  
 DONGGUAN UMAXCONN ENTERPRISE LIMITED

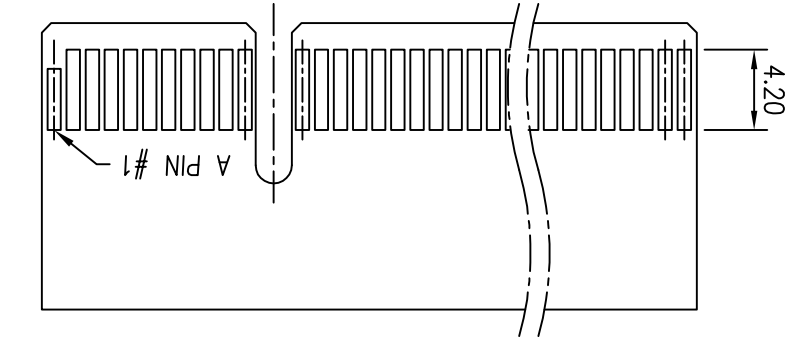


1	REV	Ecn NO.	NAME	DATE	.XXX±	.XXX±	DRWN: Terry	Q'TY:	7	8			
2	See Sheet 1				.XX±	.XX±	CHKD: Schumi	FINISH:	6				
3					.X±	.X±	APPD: Jason	MAT'L:	5				
4					X.±	X.±	<b>Umax conn</b> DONGGUAN UMAXCONN ENTERPRISE LIMITED <b>东莞市友贸实业有限公司</b>			4			
	TOLERANCE		LINEAR	ANGLES	PART NO. 3113-1XXX								
	TITLE: PCI EXPRESS SMT TYPE WITH POST				DWG NO. 311307001								
										8			

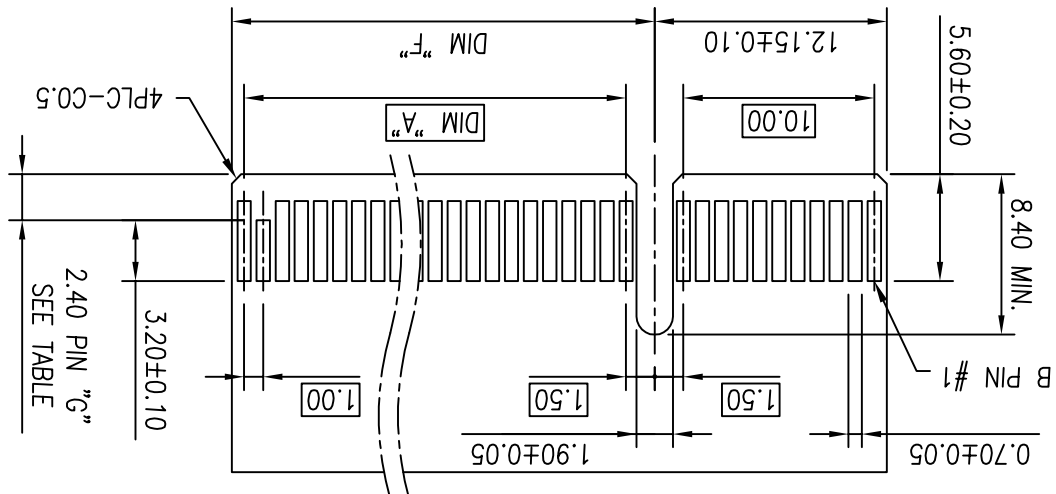
DIMENSIONS					
POSITION	A ±0.10	F ±0.10	C ±0.10	G	H ±0.10
36	6	8.15	9.15	B PIN#17	28.00
64	20	22.15	23.15	B PIN#31	42.00
98	37	39.15	40.15	B PIN#48	59.00
164	70	72.15	73.15	B PIN#81	92.00



I/O PANEL DIRECTION  
 SECONDARY (SOLDER) SIDE  
 ADD-IN CARD EDGE-FINGER DIMENSIONS



I/O PANEL DIRECTION  
 PRIMARY (COMPONENT) SIDE



## X-ON Electronics

Largest Supplier of Electrical and Electronic Components

*Click to view similar products for [Standard Card Edge Connectors](#) category:*

*Click to view products by [UMAX](#) manufacturer:*

Other Similar products are found below :

[6565204-6](#) [PKC-156](#) [1437274-4](#) [147889-1](#) [1489165-4](#) [EBT156-12B1X](#) [EBT15622B2X](#) [EBT156-22R2W](#) [1-582587-1](#) [1-582589-1](#) [2-6437275-9](#) [284-0102-12100](#) [306022901000000](#) [307-012-502-202](#) [307-024-526-201](#) [307-056-520-300](#) [307-080-526-208](#) [1926088-2](#) [245-062-520-350](#) [287-0032-12101](#) [306-010-500-112](#) [306-028-525-102](#) [306-240-318](#) [307-036-502-202](#) [307-036-521-301](#) [307-072-526-202](#) [345-060-559-303](#) [368-004-520-201](#) [392-008-559-201](#) [534671-1](#) [5-530501-5](#) [341-240-317](#) [345-029-520-300](#) [345-030-500-301](#) [345-044-500-300](#) [345-220-058](#) [346-240-318](#) [357-030-526-201](#) [387-012-523-300](#) [395-044-520-300](#) [395-100-524-300](#) [50-12B-10](#) [50-6SN-5](#) [09-07-2032](#) [10035388-106LF](#) [10035388-802LF](#) [10115859-011LF](#) [10122859-009LF](#) [101269333204245CLF](#) [10127905-B04B24BLF](#)