

1 2 3 4 5 6 7 8

DIMENSIONS						
POSITION	A ±0.20	B +0.20 -0.08	C ±0.25	D ±0.25	E ±0.25	
36	6	7.65	9.15	25.00	27.00	
64	20	21.65	23.15	39.00	41.00	
98	37	38.65	40.15	56.00	58.00	
164	70	71.65	73.15	89.00	91.00	

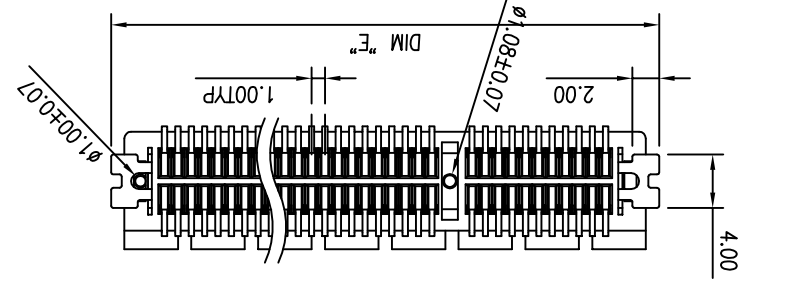
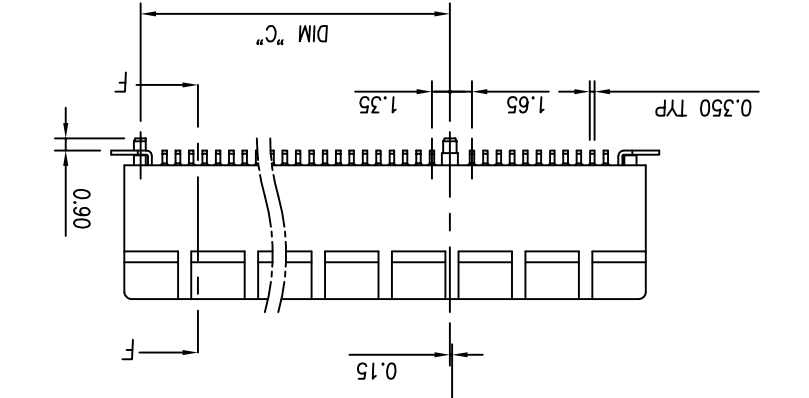
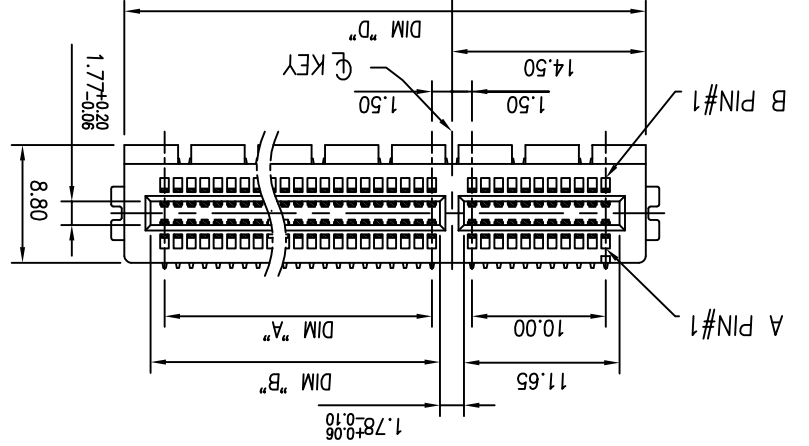
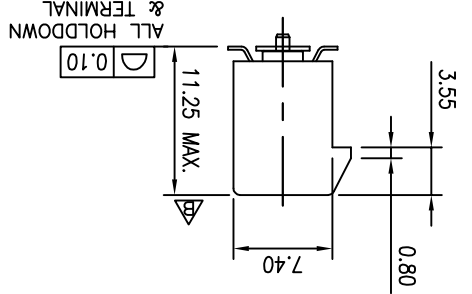
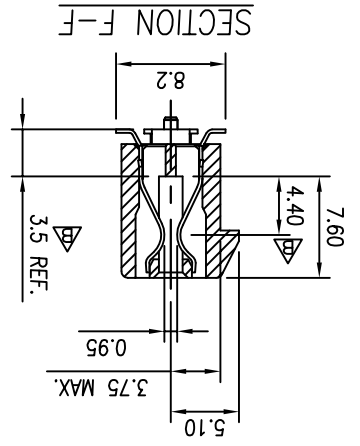
NOTES:

- 1. MATERIAL: 1.1 HOUSING: THERMOPLASTIC, HIGH TEMP, UL94V-0, COLOR: BLACK.
- 1.2 CONTACTS: COPPER ALLOY.
- 1.3 HOLDDOWN: COPPER ALLOY.
- 2. FINISH: 2.1 CONTACT: SELECTIVE GOLD PLATING ON CONTACT AREA.
- 100µ" MIN. MATTE TIN PLATING ON SOLDER TAILS.
- 50µ" MIN. NICKEL UNDERPLATING OVERALL.
- 2.2 HOLDDOWN: 100µ" MIN. MATTE TIN PLATING WITH 50µ" MIN. NICKEL UNDERPLATE OVERALL.

PART NO.

3113 - 1 X X X

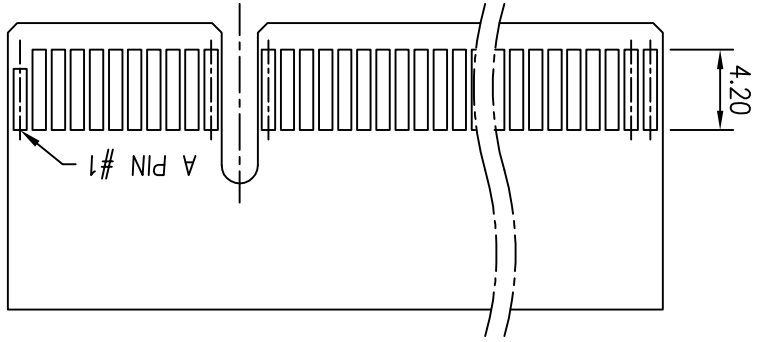
- Packing Options
- T: Tray Without Cap
- C: Tray With Cap
- N: Tray With Mylar
- R: Tape & Reel Packaging
- Without Cap
- (For 36 & 64P)
- P: Tape & Reel Packaging With Cap
- (For 36 & 64P)
- M: Tape & Reel Packaging With Mylar
- (For 36 & 64P)



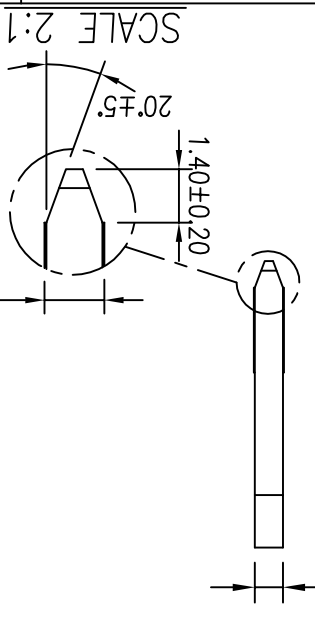
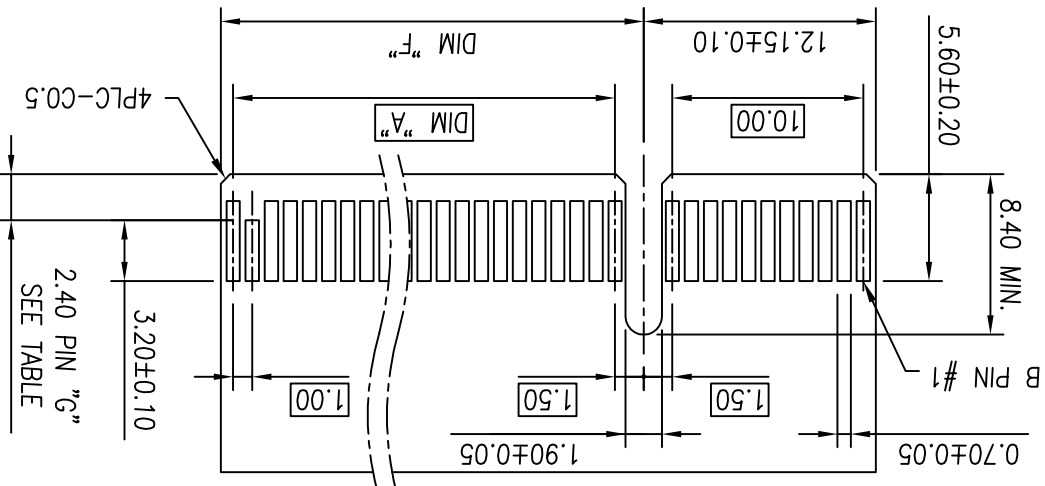
TOLERANCE		LINEAR		ANGLES	
X.±0.40		X.±		DONGGUAN UMAXCONN ENTERPRISE LIMITED	
TITLE:		PCI EXPRESS SMT TYPE WITH POST		3113-1XXX	
PART NO.		DWG NO.		311307001	
REV		ECN NO.		REV	
A		09038		Terry	
B		11059		Terry	
DATE		Aug.13,2009		.XXX±0.20	
.XXX±0.10		.XXX±		DRWN: Terry	
Q'TY:		FINISH:		SCHMI: Schumi	
MM		UNITS		SCALE	
1 : 1		1 OF 2		SHEET	
8		CUSTOMER		REV	
B		REV		REV	

TITLE:		PCI EXPRESS SMT TYPE WITH POST		3113-1XXX	
PART NO.		DWG NO.		311307001	
REV		ECN NO.		REV	
A		09038		Terry	
B		11059		Terry	
DATE		Aug.13,2009		.XXX±0.20	
.XXX±0.10		.XXX±		DRWN: Terry	
Q'TY:		FINISH:		SCHMI: Schumi	
MM		UNITS		SCALE	
1 : 1		1 OF 2		SHEET	
8		CUSTOMER		REV	
B		REV		REV	

I/O PANEL DIRECTION
 SECONDARY (SOLDER) SIDE
 ADD-IN CARD EDGE-FINGER DIMENSIONS

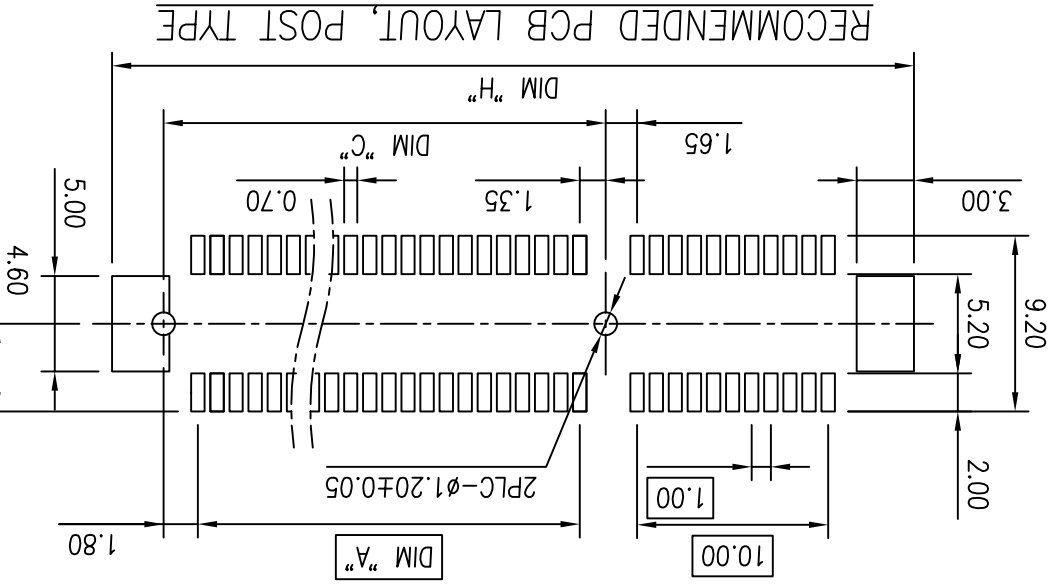


I/O PANEL DIRECTION
 PRIMARY (COMPONENT) SIDE



DIMENSIONS

POSITION	A ±0.10	F ±0.10	C ±0.10	G	H ±0.10
36	6	8.15	9.15	B PIN#17	28.00
64	20	22.15	23.15	B PIN#31	42.00
98	37	39.15	40.15	B PIN#48	59.00
164	70	72.15	73.15	B PIN#81	92.00



TOLERANCE		LINEAR		ANGLES	
X.±	X.±	X.±	X.±	X.±	X.±
APPD: Jason		CHKD: Schumi		DRWN: Terry	
MATERIAL:		FINISH:		Q'TY:	
PART NO. 3113-1XXX		DWG NO. 311307001		REV	
ECN NO.		NAME		DATE	
REV		ECON NO.		REV	

Umax conn
 DONGGUAN UMAXCONN ENTERPRISE LIMITED
 东莞市友贸实业有限公司

TITLE: PCI EXPRESS SMT TYPE WITH POST

X-ON Electronics

Largest Supplier of Electrical and Electronic Components

Click to view similar products for [Standard Card Edge Connectors](#) category:

Click to view products by [UMAX](#) manufacturer:

Other Similar products are found below :

[6565204-6](#) [PKC-156](#) [1437274-4](#) [147889-1](#) [1489165-4](#) [EBT156-12B1X](#) [EBT15622B2X](#) [EBT156-22R2W](#) [1-582587-1](#) [1-582589-1](#) [2-6437275-9](#) [284-0102-12100](#) [306022901000000](#) [307-012-502-202](#) [307-024-526-201](#) [307-056-520-300](#) [307-080-526-208](#) [1926088-2](#) [245-062-520-350](#) [287-0032-12101](#) [306-010-500-112](#) [306-028-525-102](#) [306-240-318](#) [307-036-502-202](#) [307-036-521-301](#) [307-072-526-202](#) [345-060-559-303](#) [368-004-520-201](#) [392-008-559-201](#) [534671-1](#) [5-530501-5](#) [341-240-317](#) [345-029-520-300](#) [345-030-500-301](#) [345-044-500-300](#) [345-220-058](#) [346-240-318](#) [357-030-526-201](#) [387-012-523-300](#) [395-044-520-300](#) [395-100-524-300](#) [50-12B-10](#) [50-6SN-5](#) [09-07-2032](#) [10035388-106LF](#) [10035388-802LF](#) [10115859-011LF](#) [10122859-009LF](#) [101269333204245CLF](#) [10127905-B04B24BLF](#)