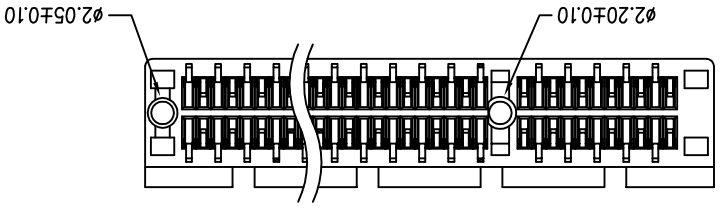
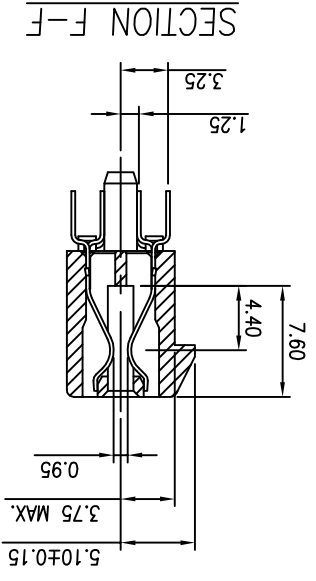
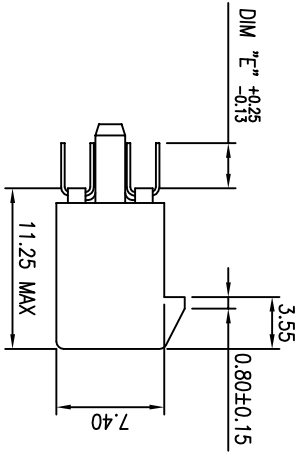
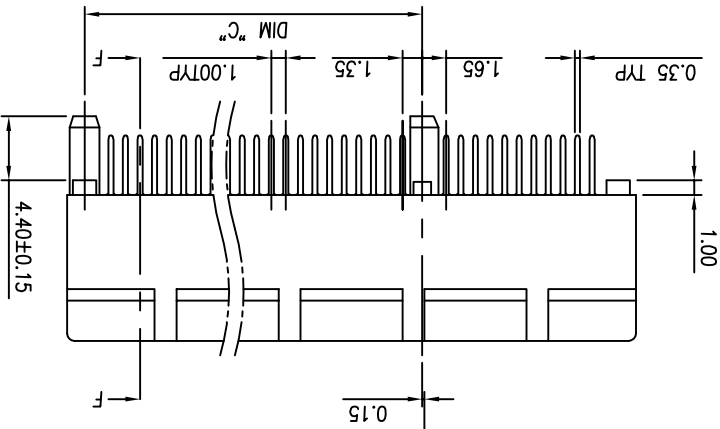
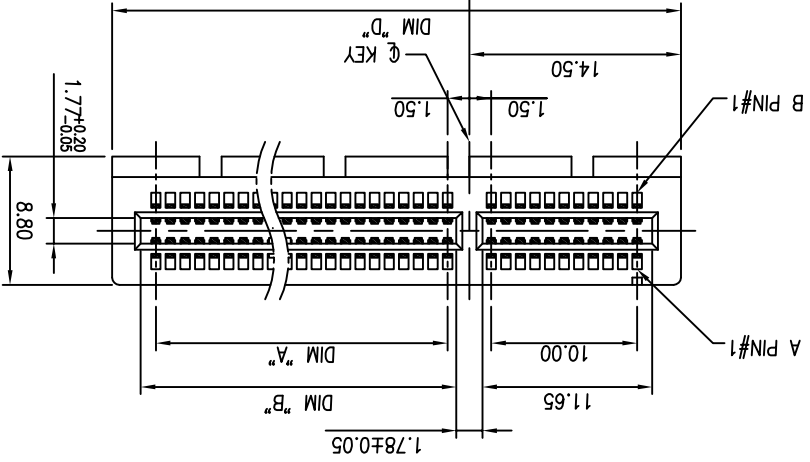


DIMENSIONS				
POSITION	A $\pm 0.10$	B $+0.15$ $-0.05$	C $\pm 0.20$	D $\pm 0.23$
36	6	7.65	9.15	25.00
64	20	21.65	23.15	39.00
98	37	38.65	40.15	56.00
164	70	71.65	73.15	89.00



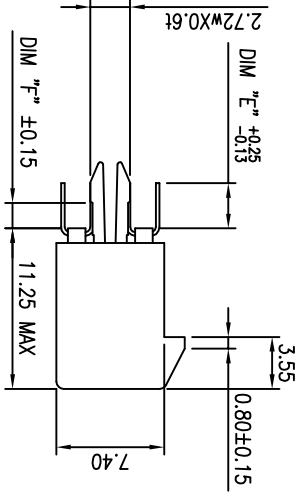
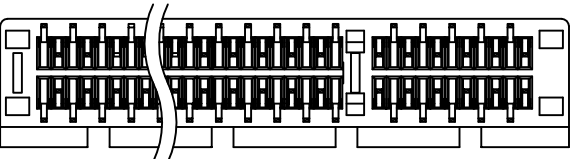
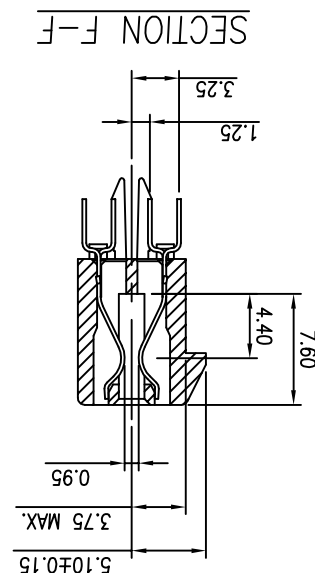
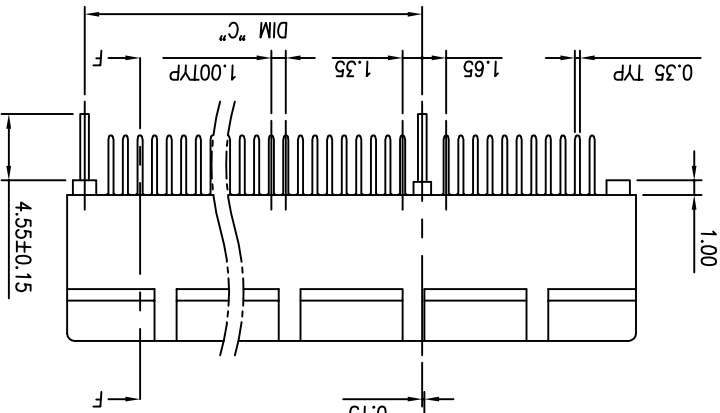
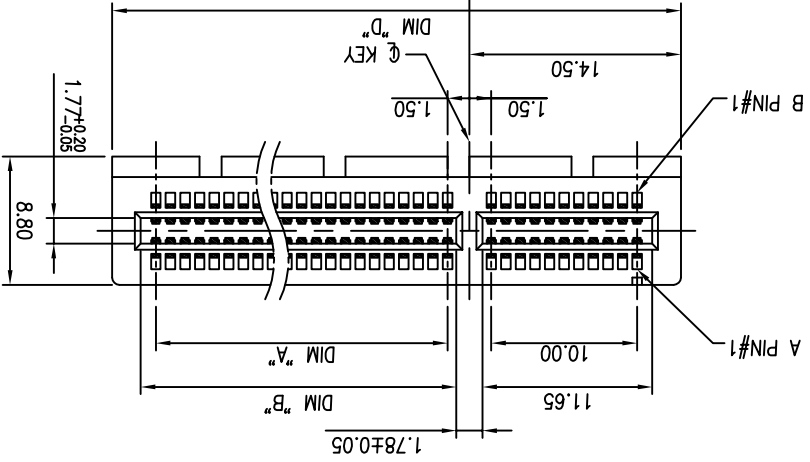
DUAL POST TYPE

TITLE: PCI EXPRESS 1.0mm CARD EDGE ASSY		PART NO. 3183-XXXXXPXT		DWG NO. 318307001		REV	
Umax 东莞市外贸实业有限公司		DONGGUAN UMAXCONN ENTERPRISE LIMITED		APPD: John		MATERIAL: John	
TOLERANCE		ANGLES		CHKD: Jason		FINISH: Schumi	
LINEAR		X.±0.40		DRWN: Schumi		Q'TY:	
X.±0.10		.XXX±.10		DATE		NAME	
X.±0.20		.XX±0.20		Oct,28,2005		Schumi	
X.±0.30		.X±0.30		Jul,10,2009		Terry	
X.±0.40		X.±0.40		May,11,2011		Terry	
REV		ECN NO.		NAME		DATE	
A		94035		Schumi		Oct,28,2005	
B		09026		Terry		Jul,10,2009	
B0				Terry		May,11,2011	

1 2 3 4 5 6 7 8 CUSTOMER

1 2 3 4 5 6 7 8

DIMENSIONS				
POSITION	A $\pm 0.10$	B $+0.15$ $-0.05$	C $\pm 0.20$	D $\pm 0.23$
36	6	7.65	9.15	25.00
64	20	21.65	23.15	39.00
98	37	38.65	40.15	56.00
164	70	71.65	73.15	89.00



DIM E	PCB THICKNESS	DIM F
2.30	1.56	1.7
3.10	2.36	2.5
2.54	1.56	1.7

CLIP TYPE

TOLERANCE	
LINEAR	X.±0.40
ANGLES	X.±

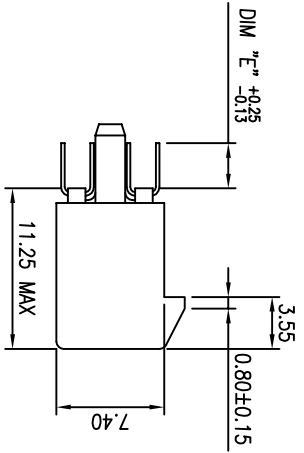
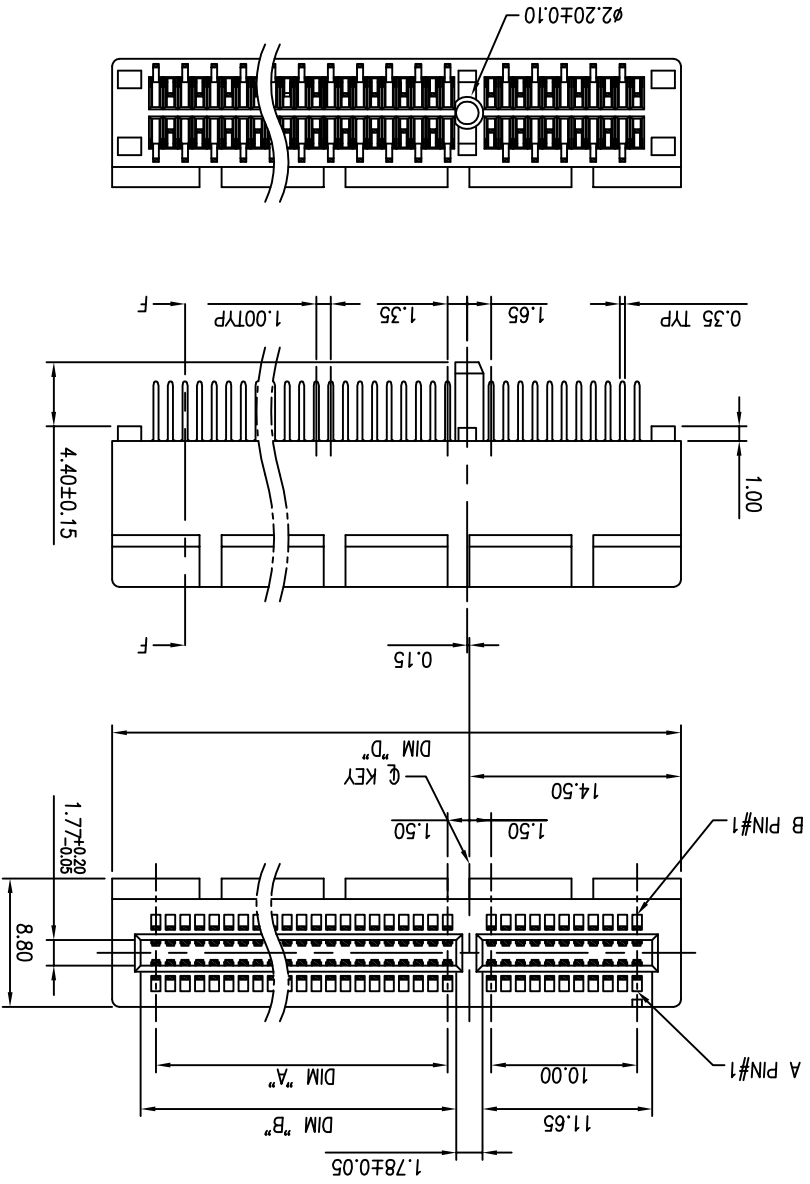
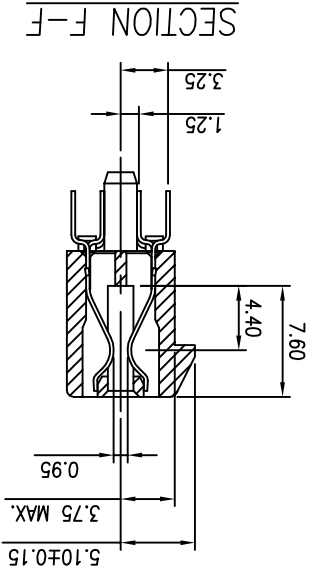
REV	ECN NO.	NAME	DATE	.XXX±0.10	.XXX±	DRWN: Schumi	Q'TY:	6
REV	See Sheet 1			.XX±0.20	.XX±	CHKD: Schumi	FINISH:	7
				.X±0.30	.X±	APPD: Jason	MAT'L:	8
				X.±0.40	X.±	<b>Umax</b> DONGGUAN UMAXCONN ENTERPRISE LIMITED 东莞市外贸实业有限公司		
							DWG NO.	318307001
							PART NO.	3183-XXXXXPXT
							TITLE: PCI EXPRESS 1.0mm CARD EDGE ASSY	

1 2 3 4 5 6 7 8 CUSTOMER

1 2 3 4 5 6 7 8

DIMENSIONS			
POSITION	A $\pm 0.10$	B $+0.15$ $-0.05$	D $\pm 0.23$
36	6	7.65	25.00
64	20	21.65	39.00
98	37	38.65	56.00
164	70	71.65	89.00

A B C D



SINGLE POST TYPE

TITLE: PCI EXPRESS 1.0mm CARD EDGE ASSY		PART NO. 3183-XXXXPXT		DWG NO. 318307001	
TOLERANCE		LINEAR		X.±0.40	
ANGLES		X.±		APPD: Jason	
UMax conn		DONGGUAN UMAXCONN ENTERPRISE LIMITED		MAT'L:	
CHKD: Schumi		FINISH:		Q'TY:	
DRWN: Schumi		SCHUMI		Q'TY:	
DATE		NAME		REV	
.XXX±0.10		.XXX±		See Sheet 1	
.XX±0.20		.XX±		ECN NO.	
.X±0.30		.X±		REV	
X.±0.40		X.±		SCALE	
UNITS		SCALE		SHEET	
MM		1:1		3 OF 5	
UNITS		SCALE		REV	
BO		3 OF 5		REV	
CUSTOMER		8		REV	





## X-ON Electronics

Largest Supplier of Electrical and Electronic Components

*Click to view similar products for [Standard Card Edge Connectors](#) category:*

*Click to view products by [UMAX](#) manufacturer:*

Other Similar products are found below :

[6565204-6](#) [PKC-156](#) [1437274-4](#) [147889-1](#) [1489165-4](#) [EBT156-12B1X](#) [EBT15622B2X](#) [EBT156-22R2W](#) [1-582587-1](#) [1-582589-1](#) [2-6437275-9](#) [284-0102-12100](#) [306022901000000](#) [307-012-502-202](#) [307-024-526-201](#) [307-056-520-300](#) [307-080-526-208](#) [1926088-2](#) [245-062-520-350](#) [287-0032-12101](#) [306-010-500-112](#) [306-028-525-102](#) [306-240-318](#) [307-036-502-202](#) [307-036-521-301](#) [307-072-526-202](#) [345-060-559-303](#) [368-004-520-201](#) [392-008-559-201](#) [534671-1](#) [5-530501-5](#) [341-240-317](#) [345-029-520-300](#) [345-030-500-301](#) [345-044-500-300](#) [345-220-058](#) [346-240-318](#) [357-030-526-201](#) [387-012-523-300](#) [395-044-520-300](#) [395-100-524-300](#) [50-12B-10](#) [50-6SN-5](#) [09-07-2032](#) [10035388-106LF](#) [10035388-802LF](#) [10115859-011LF](#) [10122859-009LF](#) [101269333204245CLF](#) [10127905-B04B24BLF](#)