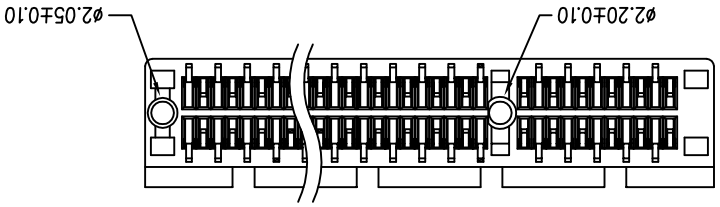
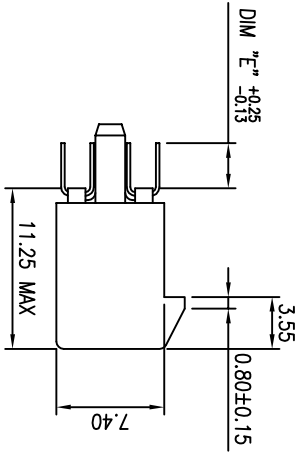
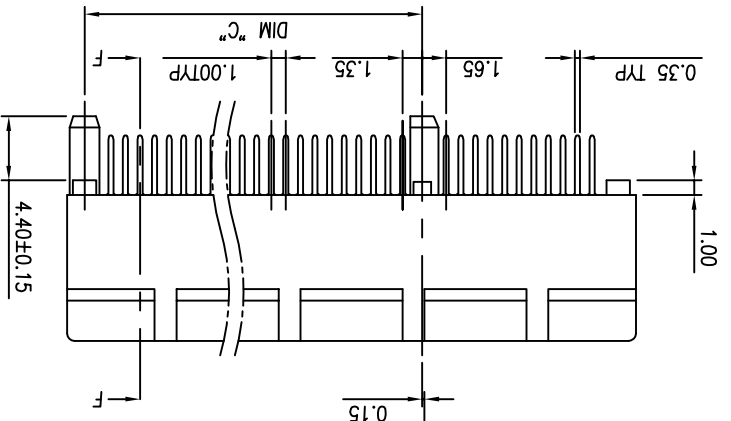
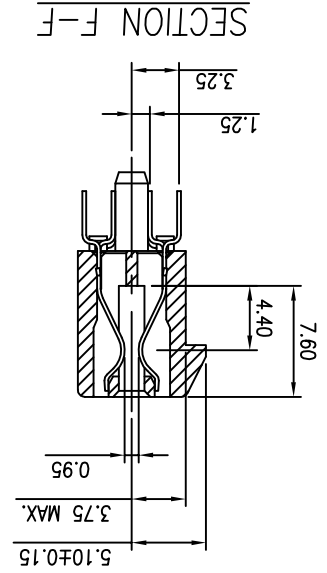
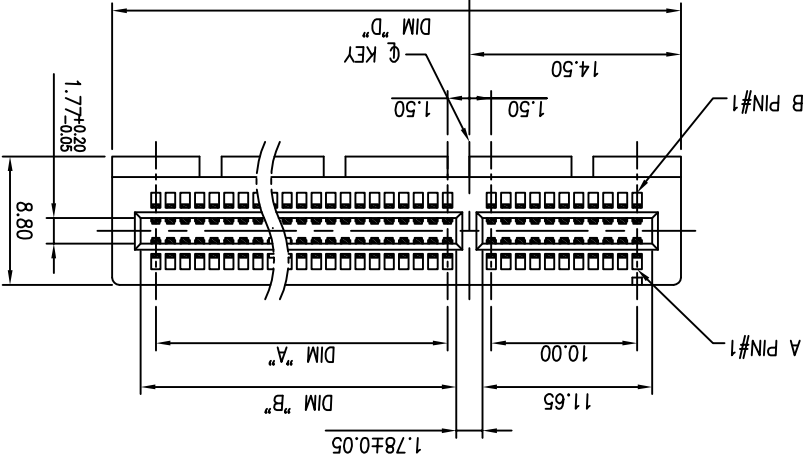


1 2 3 4 5 6 7 8

DIMENSIONS				
POSITION	A ± 0.10	B $+0.15$ -0.05	C ± 0.20	D ± 0.23
36	6	7.65	9.15	25.00
64	20	21.65	23.15	39.00
98	37	38.65	40.15	56.00
164	70	71.65	73.15	89.00



DUAL POST TYPE

TITLE:		Umax 东莞市外贸实业有限公司 DONGGUAN UMAXCONN ENTERPRISE LIMITED		PART NO. 3183-XXXXXPXT		DWG NO. 318307001	
REV	ECN NO.	NAME	DATE	.XXX±.10	.XXX±.10	DRWN: Schumi	Q'TY:
A	94035	Schumi	Oct,28,2005	.XX±.20	.XX±.20	CHKD: Jason	FINISH:
B	09026	Terry	Jul,10,2009	.X±.30	.X±.30	APPD: John	MAT'L:
B0		Terry	May,11,2011	X±.40	X±.40	TOLERANCE	
				LINEAR	ANGLES		

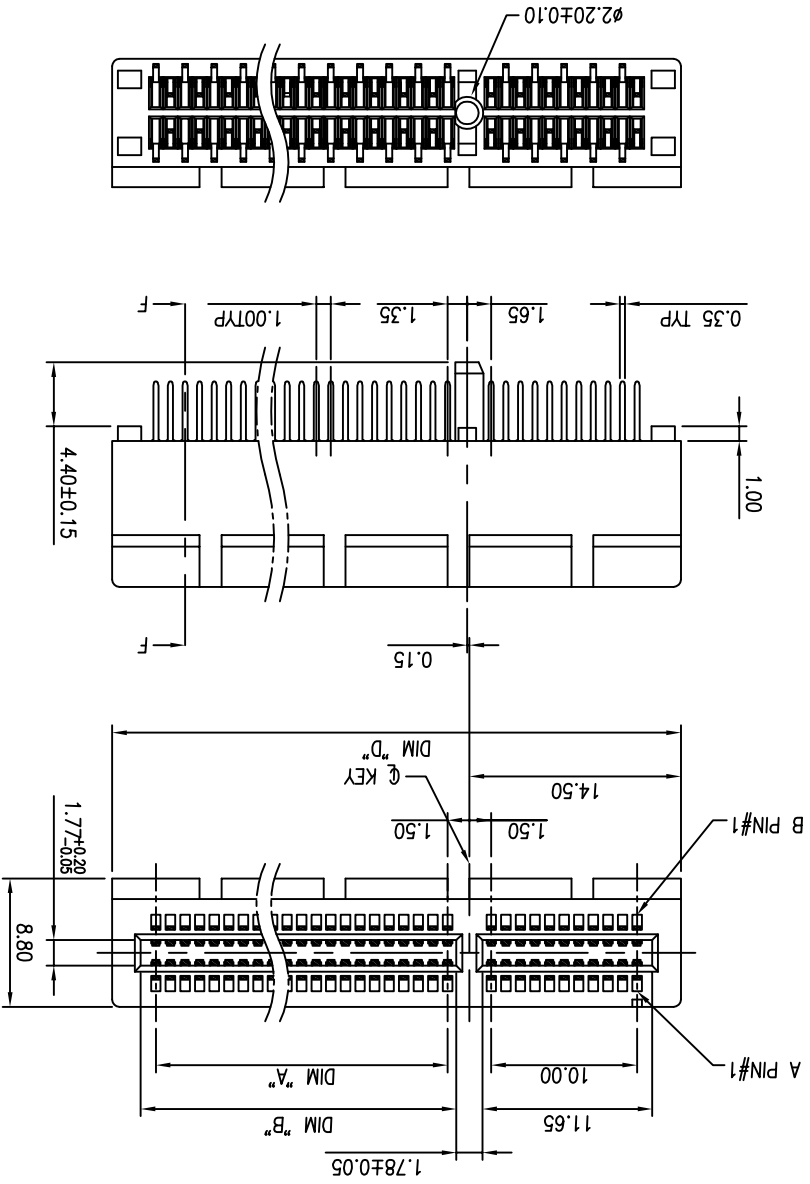
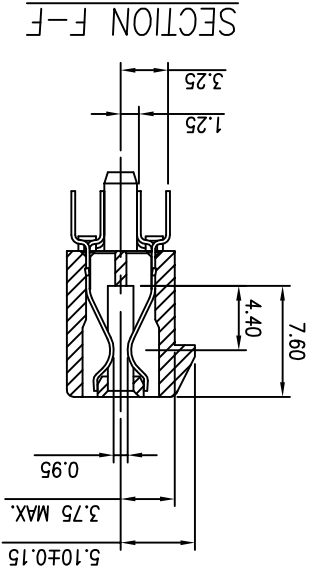
1 2 3 4 5 6 7 8

CUSTOMER 8

1 2 3 4 5 6 7 8

DIMENSIONS			
POSITION	A ± 0.10	B $+0.15$ -0.05	D ± 0.23
36	6	7.65	25.00
64	20	21.65	39.00
98	37	38.65	56.00
164	70	71.65	89.00

A B C D

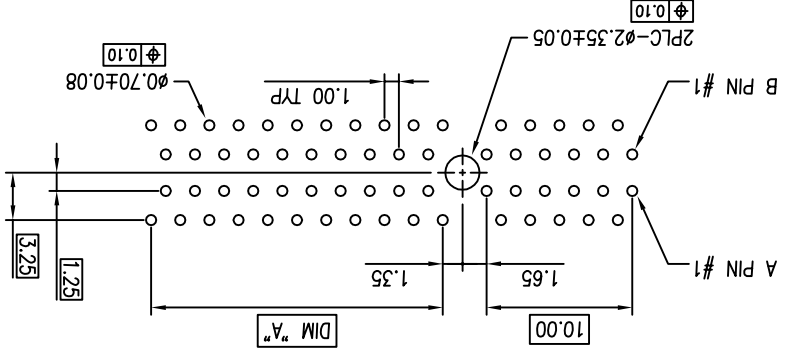


SINGLE POST TYPE

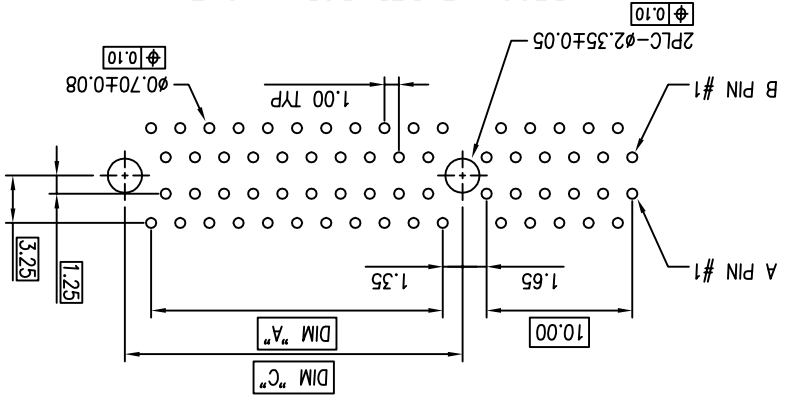
REV		ECN NO.	NAME	DATE	.XXX±.10	.XXX±	DRWN: Schumi	Q'TY:	6	7	8
REV		See Sheet 1			.XX±0.20	.XX±	CHKD: Schumi	FINISH:	5	7	8
REV					.X±0.30	.X±	APPD: Jason	MAT'L:	5	7	8
REV					X.±0.40	X.±	Umax DONGGUAN UMAXCONN ENTERPRISE LIMITED 东莞市外贸实业有限公司		6	7	8
REV					LINEAR	ANGLES	TITLE: PCI EXPRESS 1.0mm CARD EDGE ASSY		6	7	8
REV							PART NO. 3183-XXXXPXT DWG NO. 318307001		6	7	8
REV							TOLERANCE UNITS: MM SCALE: 1:1 SHEET: 3 OF 5 BO: 8 CUSTOMER:		6	7	8

REV	ECN NO.	NAME	DATE	.XXX .XXX±	DRWN: Schumi	Q'TY:	7
See Sheet 1				.XX .XX±	CHKD: Schumi	FINISH:	6
				.X .X±	APPD: Jason	MAT'L:	5
				X .X±	 UMax DONGGUAN UMAXCONN ENTERPRISE LIMITED 东莞市友贸实业有限公司		4
TOLERANCE		LINEAR		ANGLES		PART NO. 3183-XXXXPXT	3
						TITLE: PCI EXPRESS 1.0mm CARD EDGE ASSY	2
						DWG NO. 318307001	1
REV	SHEET	SCALE	1 : 1	4 OF 5	BO	CUSTOMER	8

TOLERANCE: ±0.05
SINGLE POST TYPE
RECOMMENDED PCB LAYOUT

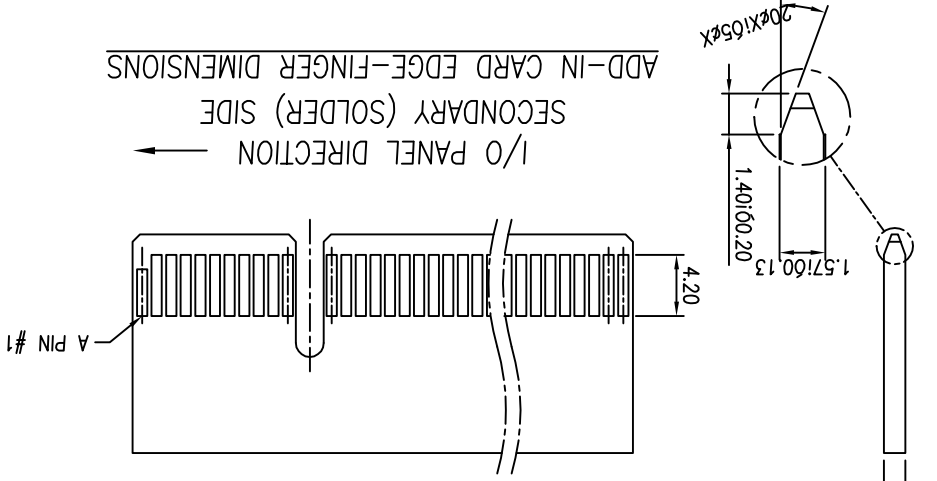


TOLERANCE: ±0.05
POST TYPE & CLIP TYPE
RECOMMENDED PCB LAYOUT

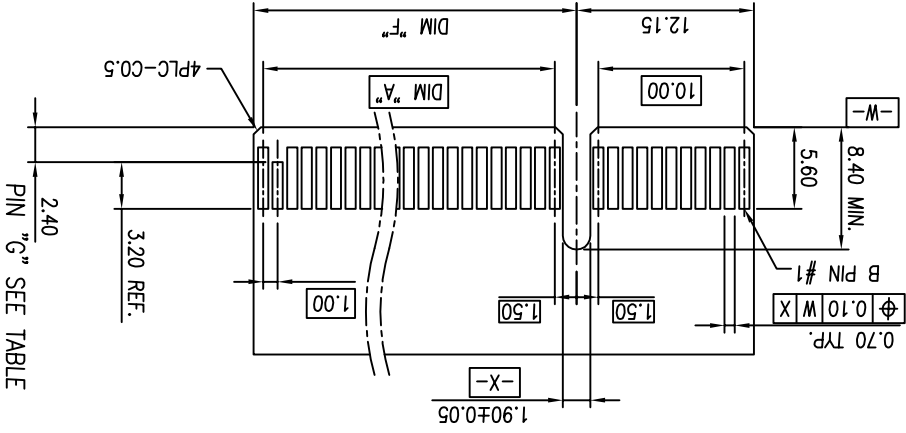


DIMENSIONS						
POSITION	A	C	F ±0.20	G		
36	6	9.15	8.15	B PIN#17		
64	20	23.15	22.15	B PIN#31		
98	37	40.15	39.15	B PIN#48		
164	70	73.15	72.15	B PIN#81		

I/O PANEL DIRECTION
SECONDARY (SOLDER) SIDE
ADD-IN CARD EDGE-FINGER DIMENSIONS



I/O PANEL DIRECTION
PRIMARY (COMPONENT) SIDE



X-ON Electronics

Largest Supplier of Electrical and Electronic Components

Click to view similar products for [Standard Card Edge Connectors](#) category:

Click to view products by [UMAX](#) manufacturer:

Other Similar products are found below :

[6565204-6](#) [PKC-156](#) [1437274-4](#) [147889-1](#) [1489165-4](#) [EBT156-12B1X](#) [EBT15622B2X](#) [EBT156-22R2W](#) [1-582587-1](#) [1-582589-1](#) [2-6437275-9](#) [284-0102-12100](#) [306022901000000](#) [307-012-502-202](#) [307-024-526-201](#) [307-056-520-300](#) [307-080-526-208](#) [1926088-2](#) [245-062-520-350](#) [287-0032-12101](#) [306-010-500-112](#) [306-028-525-102](#) [306-240-318](#) [307-036-502-202](#) [307-036-521-301](#) [307-072-526-202](#) [345-060-559-303](#) [368-004-520-201](#) [392-008-559-201](#) [534671-1](#) [5-530501-5](#) [341-240-317](#) [345-029-520-300](#) [345-030-500-301](#) [345-044-500-300](#) [345-220-058](#) [346-240-318](#) [357-030-526-201](#) [387-012-523-300](#) [395-044-520-300](#) [395-100-524-300](#) [50-12B-10](#) [50-6SN-5](#) [09-07-2032](#) [10035388-106LF](#) [10035388-802LF](#) [10115859-011LF](#) [10122859-009LF](#) [101269333204245CLF](#) [10127905-B04B24BLF](#)