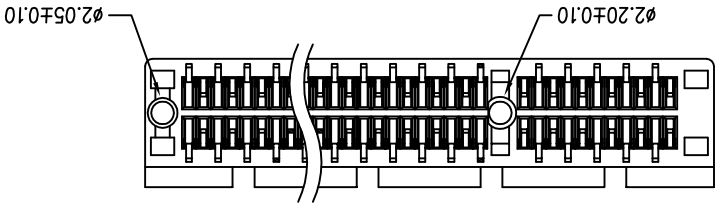
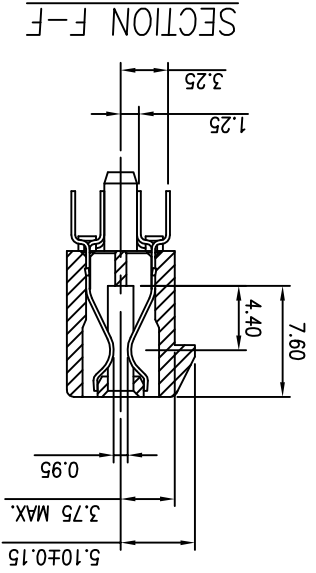
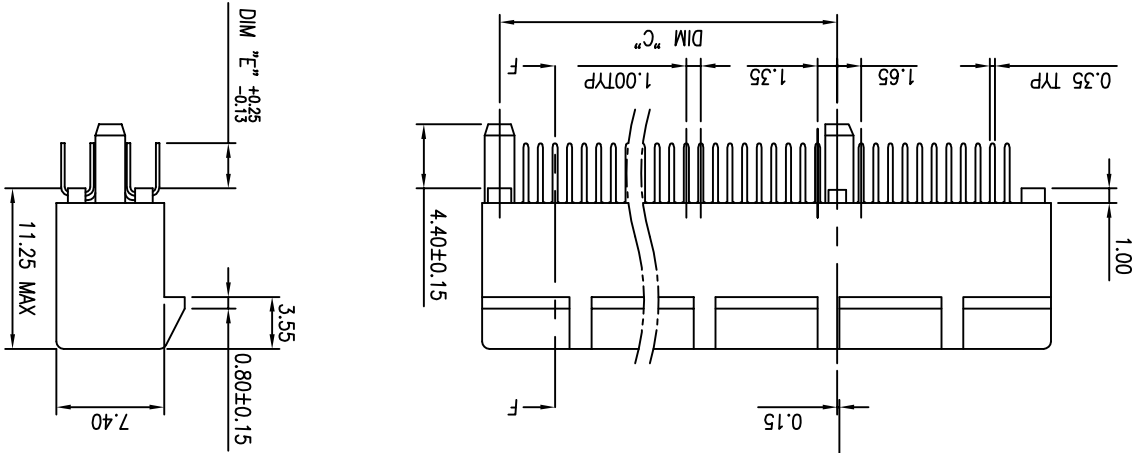
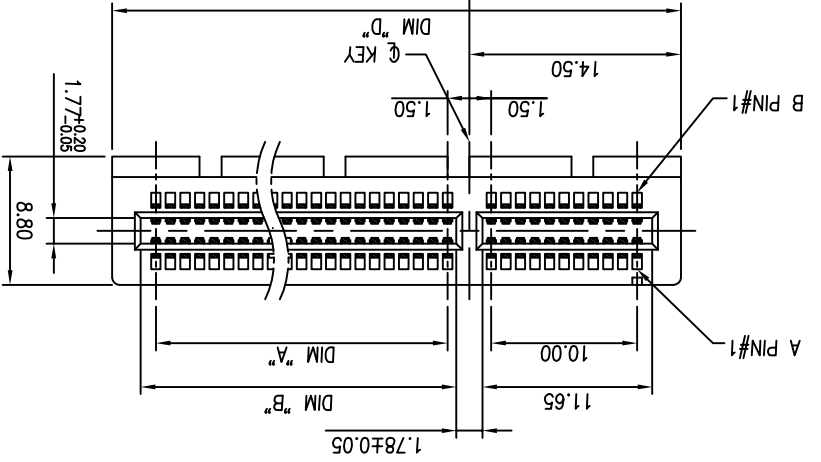


DIMENSIONS				
POSITION	A ± 0.10	B $+0.15$ -0.05	C ± 0.20	D ± 0.23
36	6	7.65	9.15	25.00
64	20	21.65	23.15	39.00
98	37	38.65	40.15	56.00
164	70	71.65	73.15	89.00



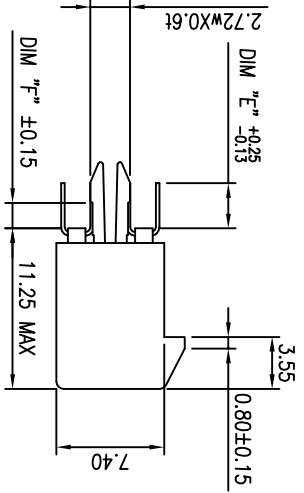
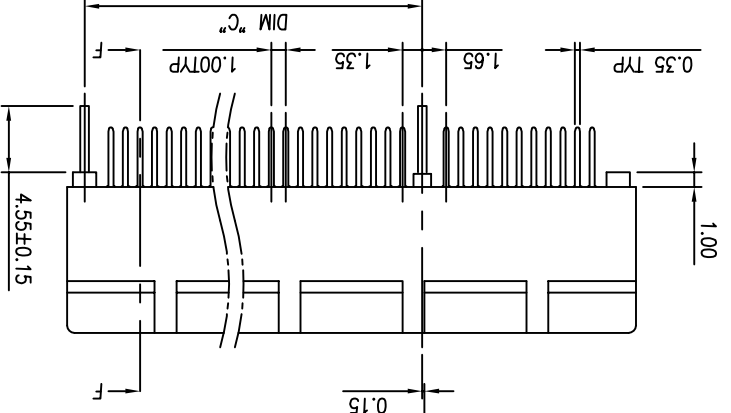
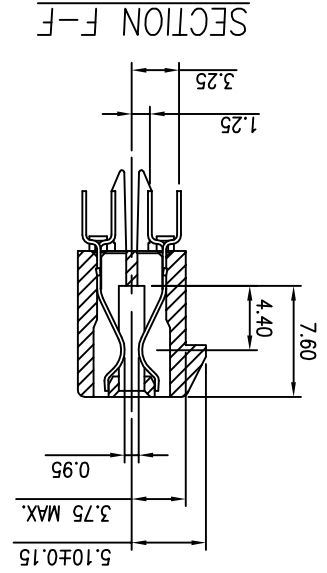
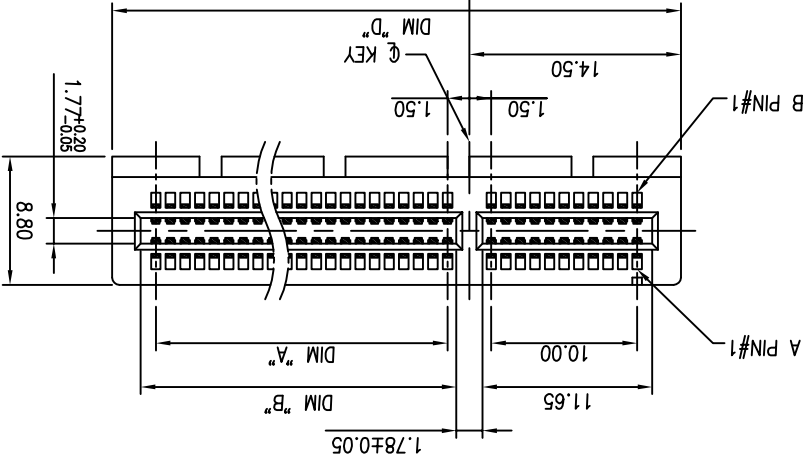
DUAL POST TYPE

TITLE: PCI EXPRESS 1.0mm CARD EDGE ASSY		Umax DONGGUAN UMAXCONN ENTERPRISE LIMITED		PART NO. 3183-XXXXXPXT		DWG NO. 318307001	
TOLERANCE		ANGLES		X.±		May,11,2011	
LINEAR		X.±0.40		Terry		09026	
DATE		.XXX±.10		Schumi		94035	
NAME		.XXX±.20		Terry		REV	
CHKD: Jason		.XXX±		Schumi		ECN NO.	
DRWN: Schumi		.XXX±		Schumi		REV	
Q'TY:		X.±		Q'TY:		REV	
FINISH:		X.±		Q'TY:		REV	
MATERIAL:		X.±		Q'TY:		REV	
APPD: John		X.±		Q'TY:		REV	
DATE		X.±		Q'TY:		REV	
.XXX±.10		X.±		Q'TY:		REV	
.XXX±.20		X.±		Q'TY:		REV	
.XXX±		X.±		Q'TY:		REV	

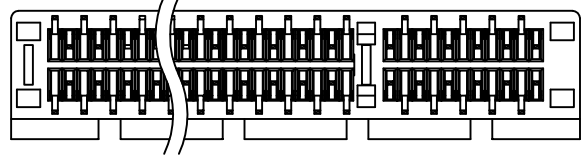
TITLE: PCI EXPRESS 1.0mm CARD EDGE ASSY		PART NO. 3183-XXXXXPXT		DWG NO. 318307001	
UNIT: MM		SCALE: 1:1		SHEET: 1 OF 5	
CUSTOMER: 8		REV: B0		REV: B0	

1 2 3 4 5 6 7 8

DIMENSIONS				
POSITION	A ± 0.10	B $+0.15$ -0.05	C ± 0.20	D ± 0.23
36	6	7.65	9.15	25.00
64	20	21.65	23.15	39.00
98	37	38.65	40.15	56.00
164	70	71.65	73.15	89.00



DIM E	PCB THICKNESS	DIM F
2.30	1.56	1.7
3.10	2.36	2.5
2.54	1.56	1.7



CLIP TYPE

TOLERANCE	
LINEAR	X.±0.40
ANGLES	X.±

TITLE:	PCI EXPRESS 1.0mm CARD EDGE ASSY
PART NO.	3183-XXXXXPXT
DWG NO.	318307001
REV	REV
ECN NO.	See Sheet 1
NAME	DATE
.XXX±0.10	.XXX±
.XX±0.20	.XX±
.X±0.30	.X±
APPD:	Jason
CHKD:	Schumi
DRWN:	Schumi
Q'TY:	

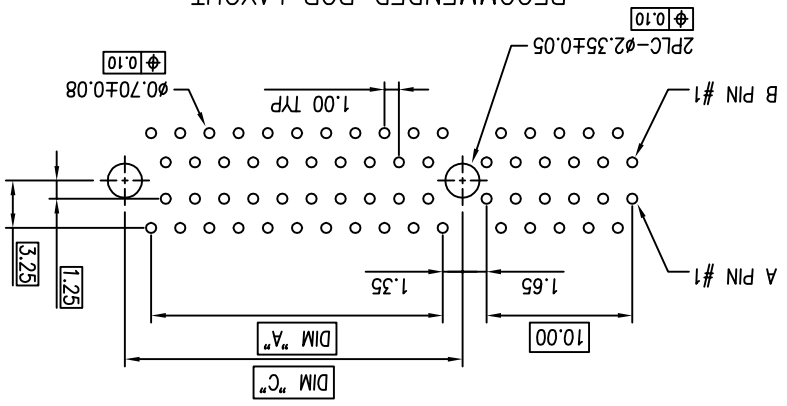
1 2 3 4 5 6 7 8 CUSTOMER

REV	ECN NO.	NAME	DATE	.XXX .XXX±	DRWN: Schumi	Q'TY:			
See Sheet 1				.XX .XX±	CHKD: Schumi	FINISH:			
				.X .X±	APPD: Jason	MAT'L:	DWG NO. 318307001		
				X. X.±	Umax DONGGUAN UMAXCONN ENTERPRISE LIMITED 东莞市友贸实业有限公司			PART NO. 3183-XXXXPXT	
TOLERANCE		LINEAR	ANGLES	TITLE: PCI EXPRESS 1.0mm CARD EDGE ASSY					

DIMENSIONS		POSITION	A	C	F ±0.20	G
36	64	98	164	70	73.15	72.15
B PIN#17	B PIN#31	B PIN#48	B PIN#81			
8.15	22.15	39.15	73.15			
9.15	23.15	40.15	70			
			37			
			164			

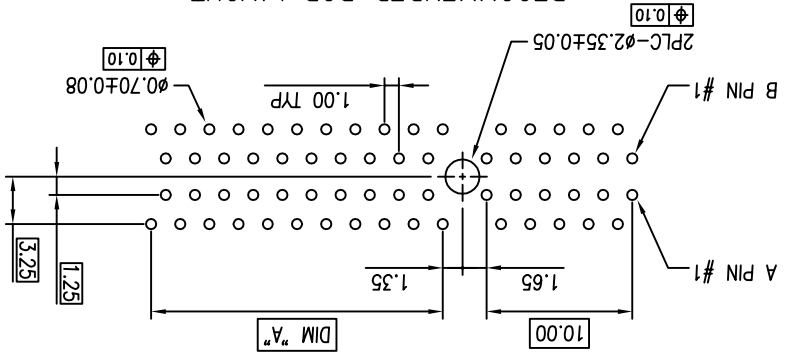
RECOMMENDED PCB LAYOUT
POST TYPE & CLIP TYPE

TOLERANCE: ±0.05

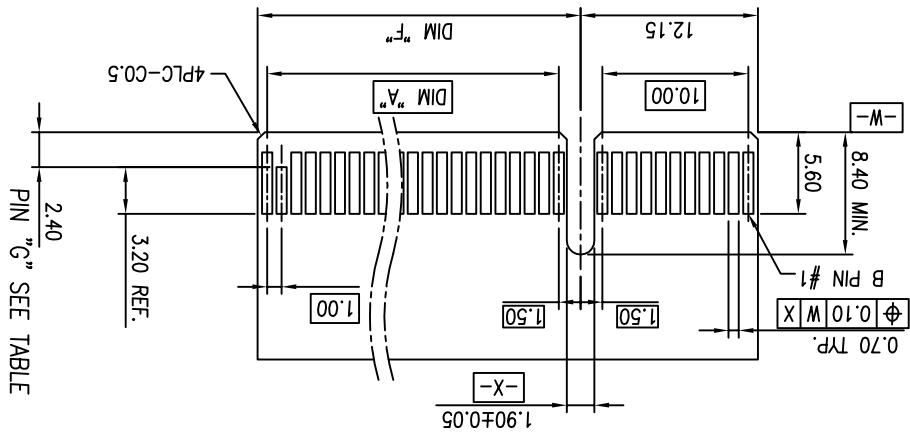


RECOMMENDED PCB LAYOUT
SINGLE POST TYPE

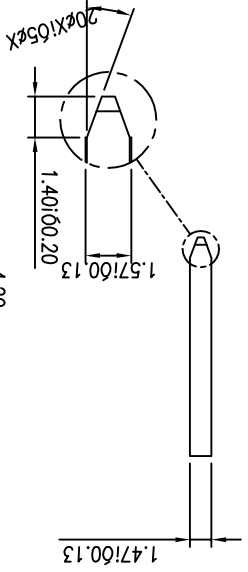
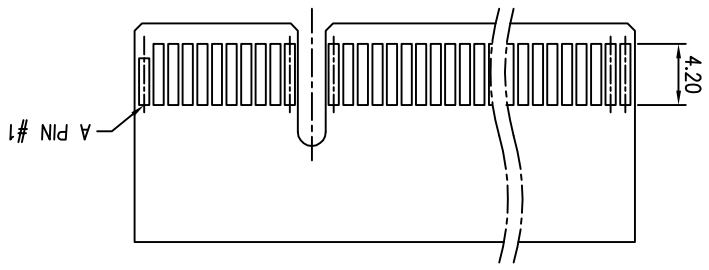
TOLERANCE: ±0.05



I/O PANEL DIRECTION
PRIMARY (COMPONENT) SIDE



I/O PANEL DIRECTION
SECONDARY (SOLDER) SIDE

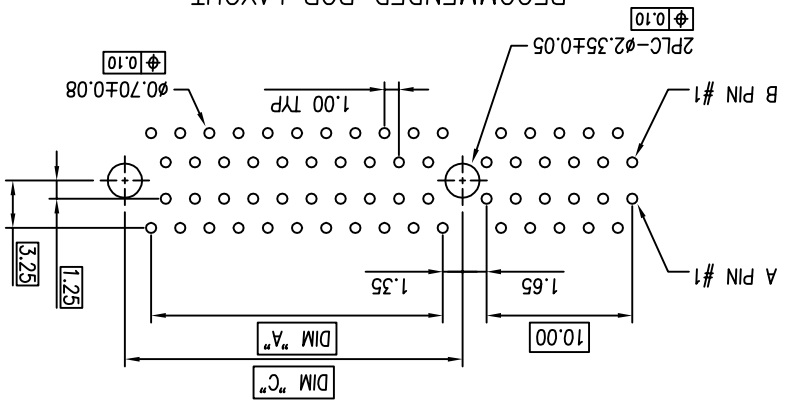


REV	ECN NO.	NAME	DATE	.XXX .XXX±	DRWN: Schumi	Q'TY:		
See Sheet 1				.XX .XX±	CHKD: Schumi	FINISH:		
				.X .X±	APPD: Jason	MAT'L:	DWG NO. 318307001	
				X. X.±	Umax DONGGUAN UMAXCONN ENTERPRISE LIMITED 东莞市友贸实业有限公司			PART NO. 3183-XXXXPXT
TOLERANCE		LINEAR	ANGLES	TITLE: PCI EXPRESS 1.0mm CARD EDGE ASSY				

DIMENSIONS		POSITION	A	C	F ±0.20	G
36	64	98	164	70	73.15	72.15
B PIN#17	B PIN#31	B PIN#48	B PIN#81			
8.15	22.15	39.15	73.15			
9.15	23.15	40.15	70			
			37			
			164			

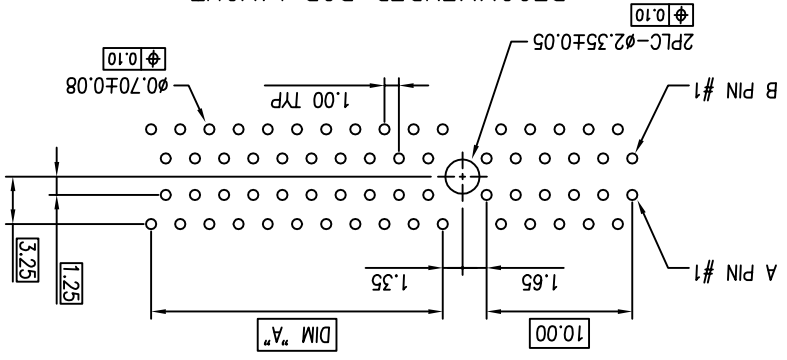
RECOMMENDED PCB LAYOUT
POST TYPE & CLIP TYPE

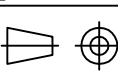
TOLERANCE: ±0.05

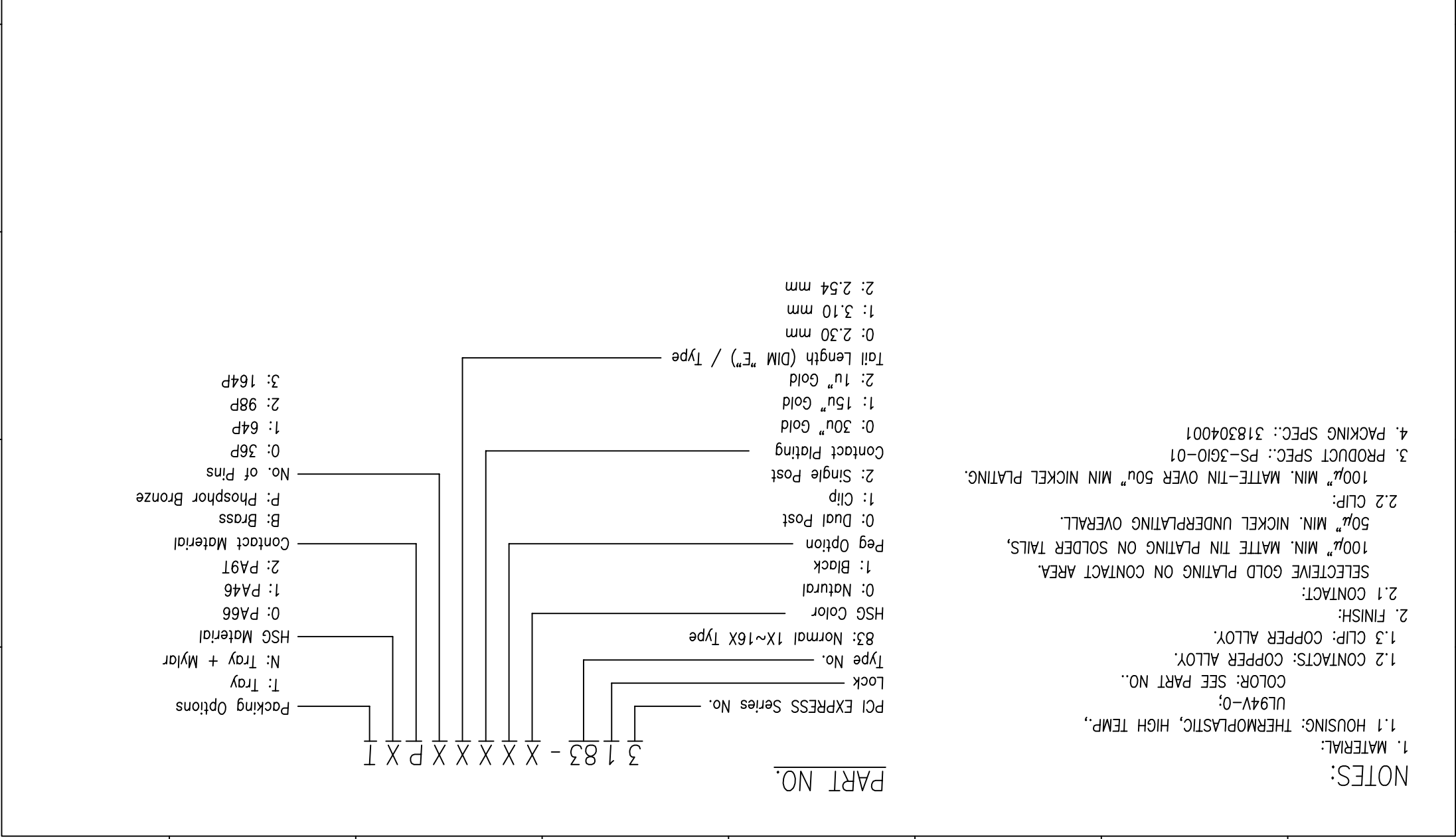


RECOMMENDED PCB LAYOUT
SINGLE POST TYPE

TOLERANCE: ±0.05



REV	ECN NO.	NAME	DATE	.XXX ±	.XXX ±	DRWN: Schumi	Q'TY:		MM	1 : 1	5 OF 5	BO		
	See Sheet 1				.XX ±	.XX ±	CHKD: Schumi						FINISH:	UNITS
				.X ±	.X ±	APPD: Jason	MAT'L:	DWG NO.	318307001					
				X ±	X ±	 DONGGUAN UMAXCONN ENTERPRISE LIMITED 东莞市外贸实业有限公司		PART NO.	3183-XXXXXPXT					
TOLERANCE				ANGLES	TITLE:				PCI EXPRESS 1.0mm CARD EDGE ASSY					



NOTES:

- MATERIAL: 1.1 HOUSING: THERMOPLASTIC, HIGH TEMP., UL94V-0; COLOR: SEE PART NO.; 1.2 CONTACTS: COPPER ALLOY. 1.3 CLIP: COPPER ALLOY.
- FINISH: 2.1 CONTACT: SELECTIVE GOLD PLATING ON CONTACT AREA. 100µ" MIN. MATTE TIN PLATING ON SOLDER TAILS, 50µ" MIN. NICKEL UNDERPLATING OVERALL. 2.2 CLIP: 100µ" MIN. MATTE-TIN OVER 50µ" MIN NICKEL PLATING.
- PRODUCT SPEC.: PS-3G10-01
- PACKING SPEC.: 318304001

PART NO.
3183-XXPXT

PCI EXPRESS Series No. Lock Type No.

83: Normal 1X~16X Type HSG Color

0: Natural 1: Black Peg Option

0: Dual Post 1: Clip 2: Single Post Contact Plating

0: 30µ" Gold 1: 15µ" Gold 2: 1µ" Gold Tail Length (DIM "E") / Type

0: 2.30 mm 1: 3.10 mm 2: 2.54 mm

Packing Options T: Tray N: Tray + Mylar HSG Material 0: PA66 1: PA46 2: PA9T Contact Material B: Brass P: Phosphor Bronze No. of Pins 0: 36P 1: 64P 2: 98P 3: 164P

X-ON Electronics

Largest Supplier of Electrical and Electronic Components

Click to view similar products for [Standard Card Edge Connectors](#) category:

Click to view products by [UMAX](#) manufacturer:

Other Similar products are found below :

[6565204-6](#) [PKC-156](#) [1437274-4](#) [147889-1](#) [1489165-4](#) [EBT156-12B1X](#) [EBT15622B2X](#) [EBT156-22R2W](#) [1-582587-1](#) [1-582589-1](#) [2-6437275-9](#) [284-0102-12100](#) [306022901000000](#) [307-012-502-202](#) [307-024-526-201](#) [307-056-520-300](#) [307-080-526-208](#) [1926088-2](#) [245-062-520-350](#) [287-0032-12101](#) [306-010-500-112](#) [306-028-525-102](#) [306-240-318](#) [307-036-502-202](#) [307-036-521-301](#) [307-072-526-202](#) [345-060-559-303](#) [368-004-520-201](#) [392-008-559-201](#) [534671-1](#) [5-530501-5](#) [341-240-317](#) [345-029-520-300](#) [345-030-500-301](#) [345-044-500-300](#) [345-220-058](#) [346-240-318](#) [357-030-526-201](#) [387-012-523-300](#) [395-044-520-300](#) [395-100-524-300](#) [50-12B-10](#) [50-6SN-5](#) [09-07-2032](#) [10035388-106LF](#) [10035388-802LF](#) [10115859-011LF](#) [10122859-009LF](#) [101269333204245CLF](#) [10127905-B04B24BLF](#)