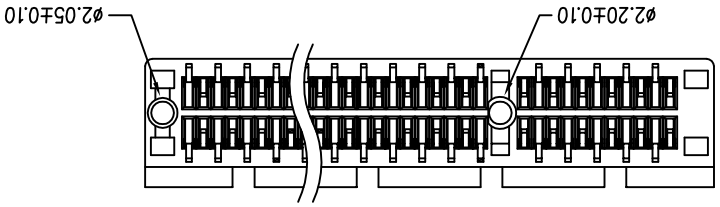
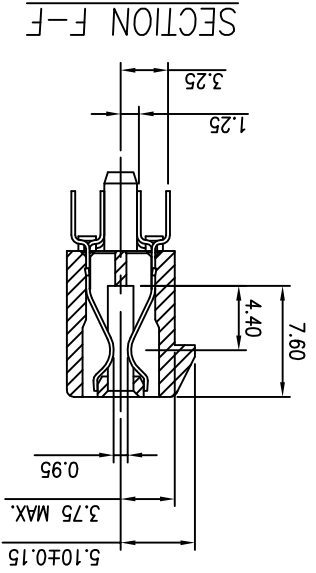
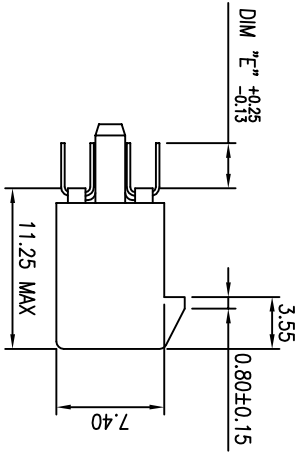
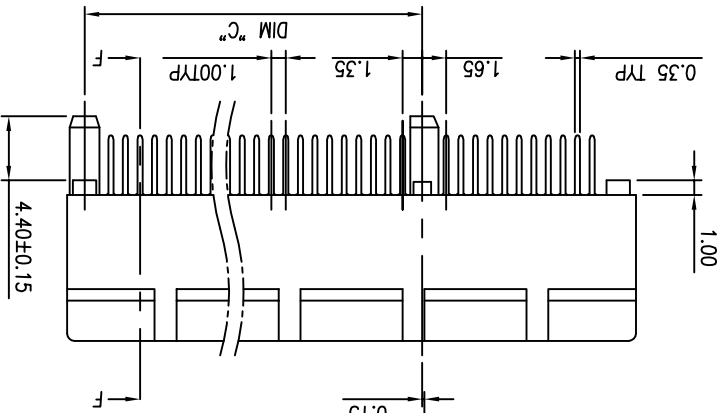
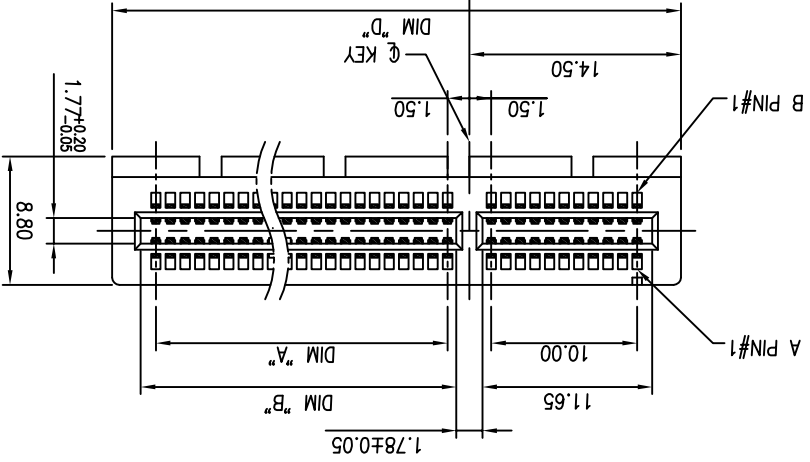


DIMENSIONS				
POSITION	A ± 0.10	B $^{+0.15}_{-0.05}$	C ± 0.20	D ± 0.23
36	6	7.65	9.15	25.00
64	20	21.65	23.15	39.00
98	37	38.65	40.15	56.00
164	70	71.65	73.15	89.00



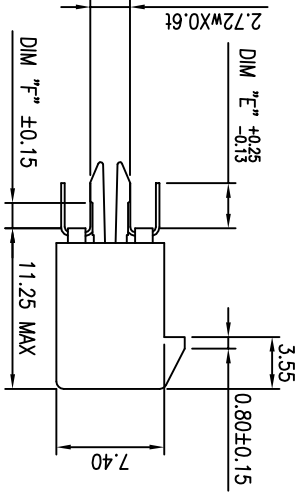
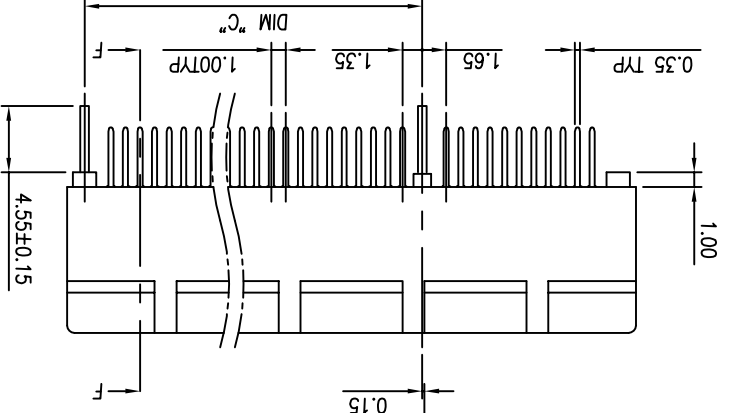
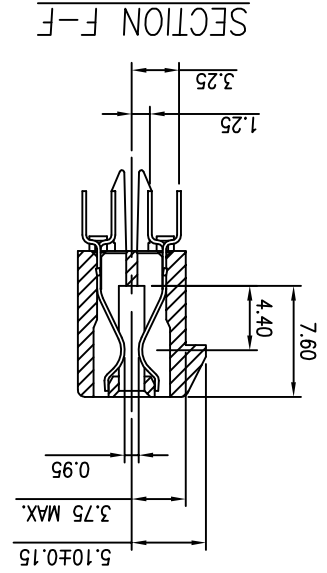
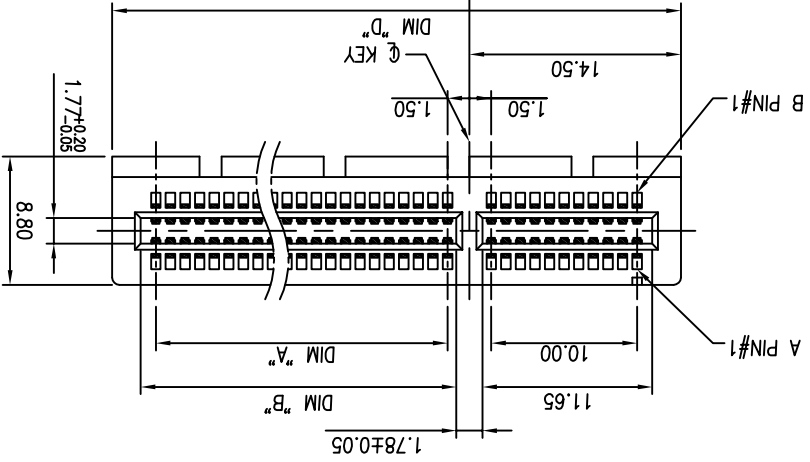
DUAL POST TYPE

TITLE: PCI EXPRESS 1.0mm CARD EDGE ASSY		PART NO. 3183-XXXXXPXT		DWG NO. 318307001		REV B0	
TOLERENCE		LINEAR		X.±0.40		X.±	
ANGLES		X.±		X.±		X.±	
Umax conn		DONGGUAN UMAXCONN ENTERPRISE LIMITED		APPD: John		MAT'L:	
Umax conn		DONGGUAN UMAXCONN ENTERPRISE LIMITED		CHKD: Jason		FINISH:	
DRWN: Schumi		Schumi		Q'TY:		Q'TY:	
DATE		.XXX±.10		.XXX±.10		.XXX±.10	
NAME		Terry		Terry		Terry	
ECN NO.		94035		94035		94035	
REV		A		A		A	

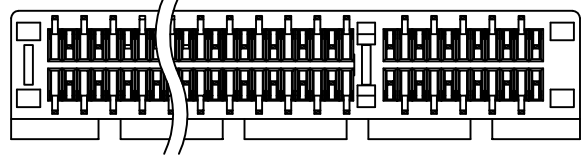
1 2 3 4 5 6 7 8 CUSTOMER

1 2 3 4 5 6 7 8

DIMENSIONS				
POSITION	A ± 0.10	B $^{+0.15}_{-0.05}$	C ± 0.20	D ± 0.23
36	6	7.65	9.15	25.00
64	20	21.65	23.15	39.00
98	37	38.65	40.15	56.00
164	70	71.65	73.15	89.00



DIM E	PCB THICKNESS	DIM F
2.30	1.56	1.7
3.10	2.36	2.5
2.54	1.56	1.7



CLIP TYPE

TOLERANCE	
LINEAR	X.±0.40
ANGLES	X.±

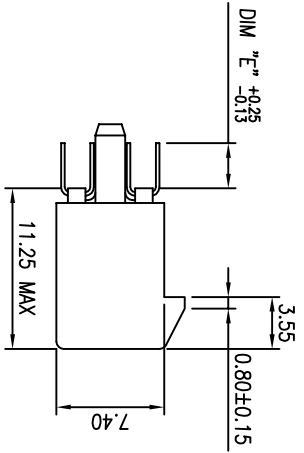
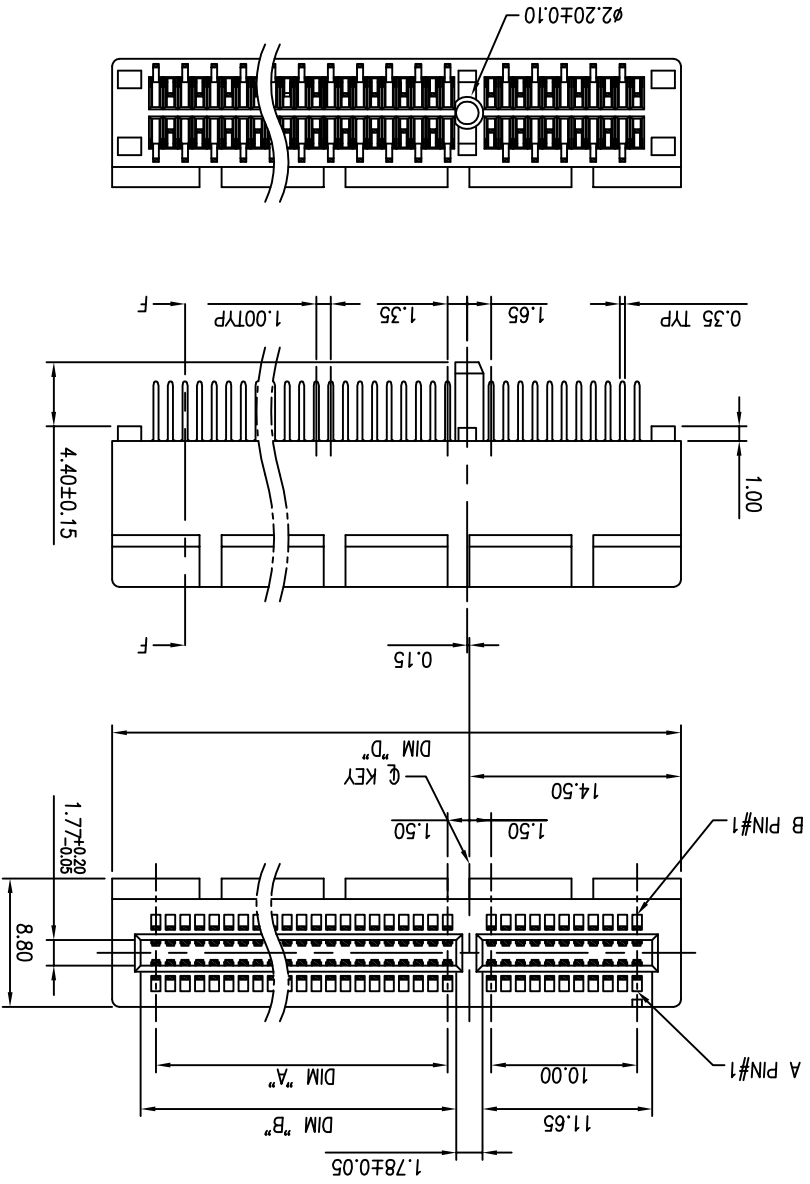
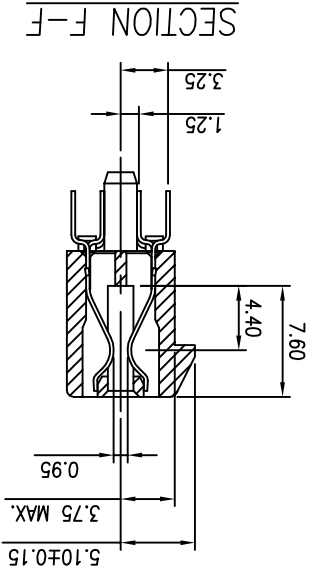
TITLE:	PCI EXPRESS 1.0mm CARD EDGE ASSY
PART NO.	3183-XXXXXPXT
DWG NO.	318307001
REV	REV
ECN NO.	See Sheet 1
NAME	DATE
.XXX±0.10	.XXX±
.XX±0.20	.XX±
.X±0.30	.X±
APPD:	Jason
CHKD:	Schumi
DRWN:	Schumi
Q'TY:	

1 2 3 4 5 6 7 8 CUSTOMER

1 2 3 4 5 6 7 8

DIMENSIONS			
POSITION	A ± 0.10	B $+0.15$ -0.05	D ± 0.23
36	6	7.65	25.00
64	20	21.65	39.00
98	37	38.65	56.00
164	70	71.65	89.00

A B C D



SINGLE POST TYPE

TITLE: PCI EXPRESS 1.0mm CARD EDGE ASSY		PART NO. 3183-XXXXPXT		DWG NO. 318307001	
TOLERANCE		LINEAR		X.±0.40	
ANGLES		X.±		APPD: Jason	
UMax conn		DONGGUAN UMAXCONN ENTERPRISE LIMITED		MAT'L:	
CHKD: Schumi		CHKD: Schumi		FINISH:	
DRWN: Schumi		DRWN: Schumi		Q'TY:	
DATE		.XXX±.10		.XXX±.10	
NAME		.XX±.20		.XX±.20	
REV		See Sheet 1		ECN NO.	

1 2 3 4 5 6 7 8

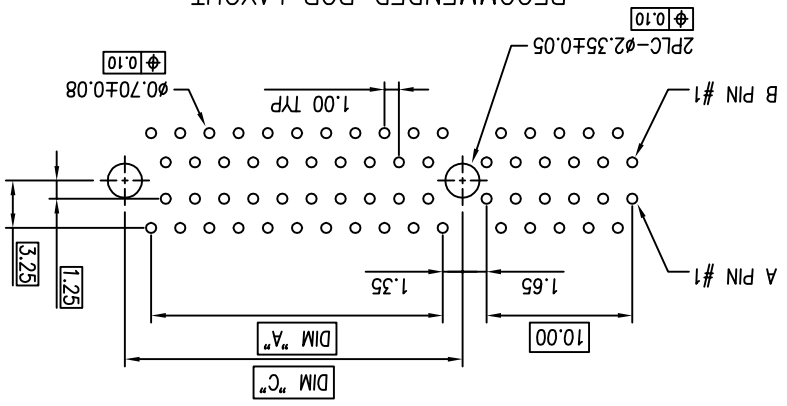
CUSTOMER 8

REV	ECN NO.	NAME	DATE	.XXX .XXX±	DRWN: Schumi	Q'TY:	
See Sheet 1				.XX .XX±	CHKD: Schumi	FINISH:	
				.X .X±	APPD: Jason	MAT'L:	DWG NO. 318307001
				X. X.±	Umax DONGGUAN UMAXCONN ENTERPRISE LIMITED 东莞市外贸实业有限公司		
				LINEAR ANGLES			
TOLERANCE					TITLE: PCI EXPRESS 1.0mm CARD EDGE ASSY		
PART NO. 3183-XXXXPXT				PRT NO. 3183-XXXXPXT			

DIMENSIONS		A	C	F ±0.20	G
POSITION	A	36	70		
	C	6	73.15		
	F	9.15	70	164	
	G	8.15	70	98	
		22.15	73.15	64	B PIN#31
		39.15	73.15	98	B PIN#48
		72.15	73.15	164	B PIN#81

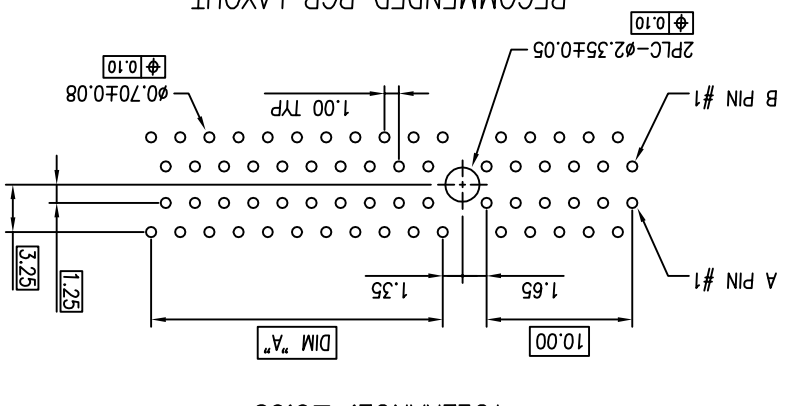
RECOMMENDED PCB LAYOUT
POST TYPE & CLIP TYPE

TOLERANCE: ±0.05

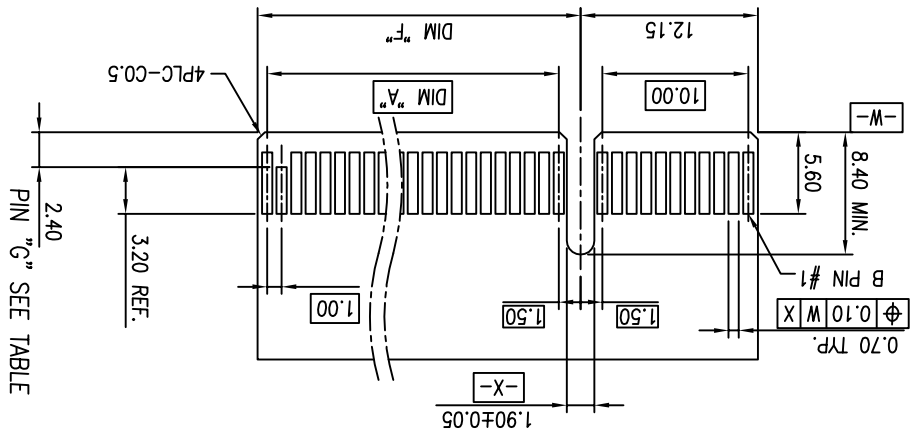


RECOMMENDED PCB LAYOUT
SINGLE POST TYPE

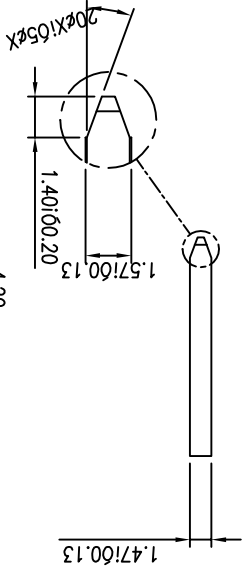
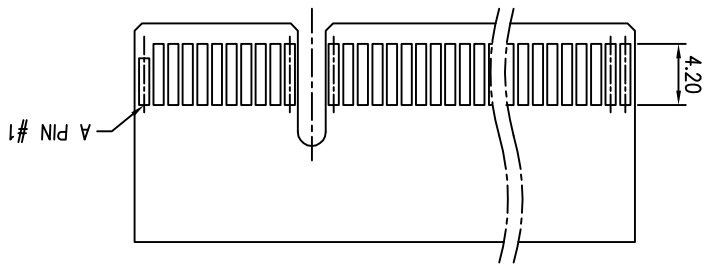
TOLERANCE: ±0.05



I/O PANEL DIRECTION
PRIMARY (COMPONENT) SIDE



I/O PANEL DIRECTION
SECONDARY (SOLDER) SIDE

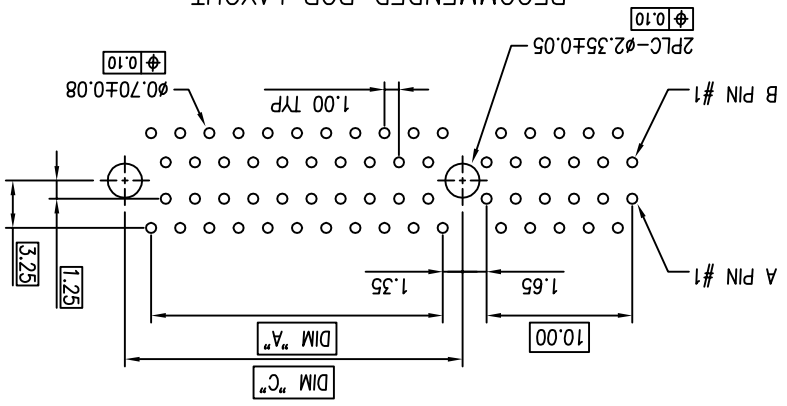


REV	ECN NO.	NAME	DATE	.XXX .XXX±	DRWN: Schumi	Q'TY:	
See Sheet 1				.XX .XX±	CHKD: Schumi	FINISH:	
				.X .X±	APPD: Jason	MAT'L:	DWG NO. 318307001
				X. X.±	Umax DONGGUAN UMAXCONN ENTERPRISE LIMITED 东莞市外贸实业有限公司		
				LINEAR ANGLES			
TOLERANCE					TITLE: PCI EXPRESS 1.0mm CARD EDGE ASSY		
PART NO. 3183-XXXXPXT				PRT NO. 3183-XXXXPXT			

DIMENSIONS		A	C	F ±0.20	G
POSITION	A	36	70		
	C	6	73.15		
	F	9.15	70	164	
	G	8.15	70	98	
		22.15	73.15	64	B PIN#31
		39.15	73.15	98	B PIN#48
		72.15	73.15	164	B PIN#81

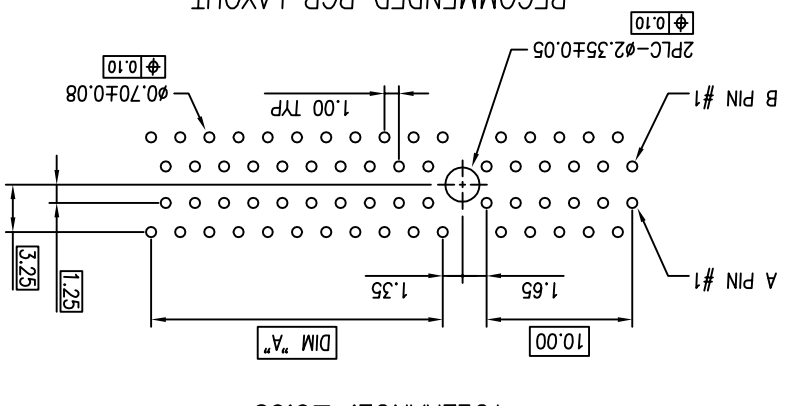
RECOMMENDED PCB LAYOUT
POST TYPE & CLIP TYPE

TOLERANCE: ±0.05

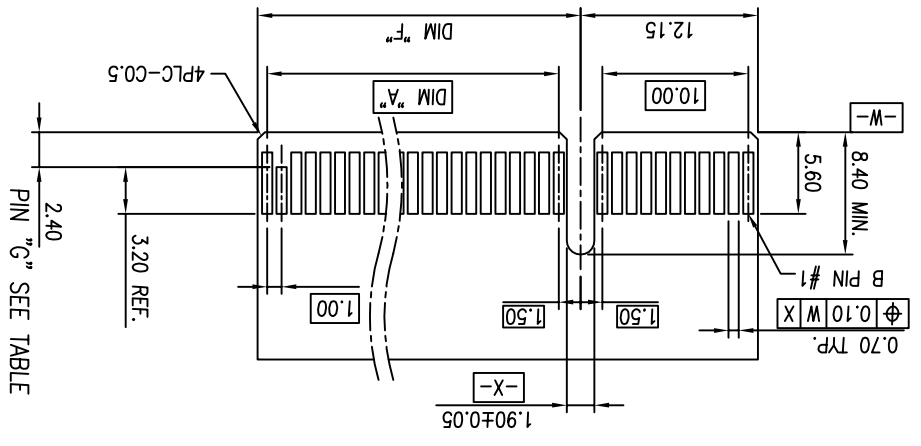


RECOMMENDED PCB LAYOUT
SINGLE POST TYPE

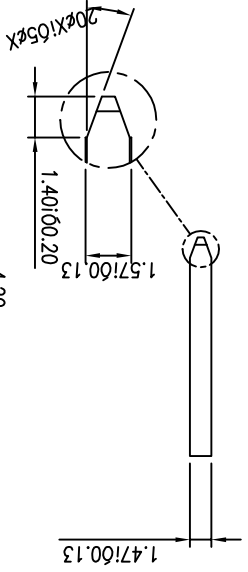
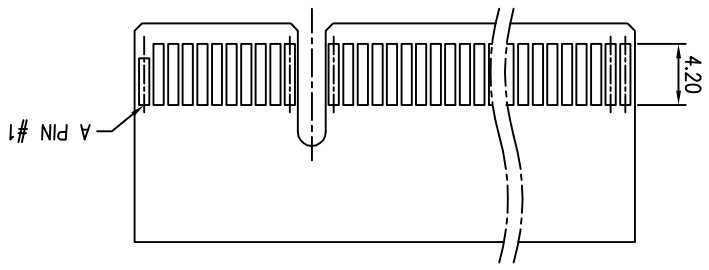
TOLERANCE: ±0.05



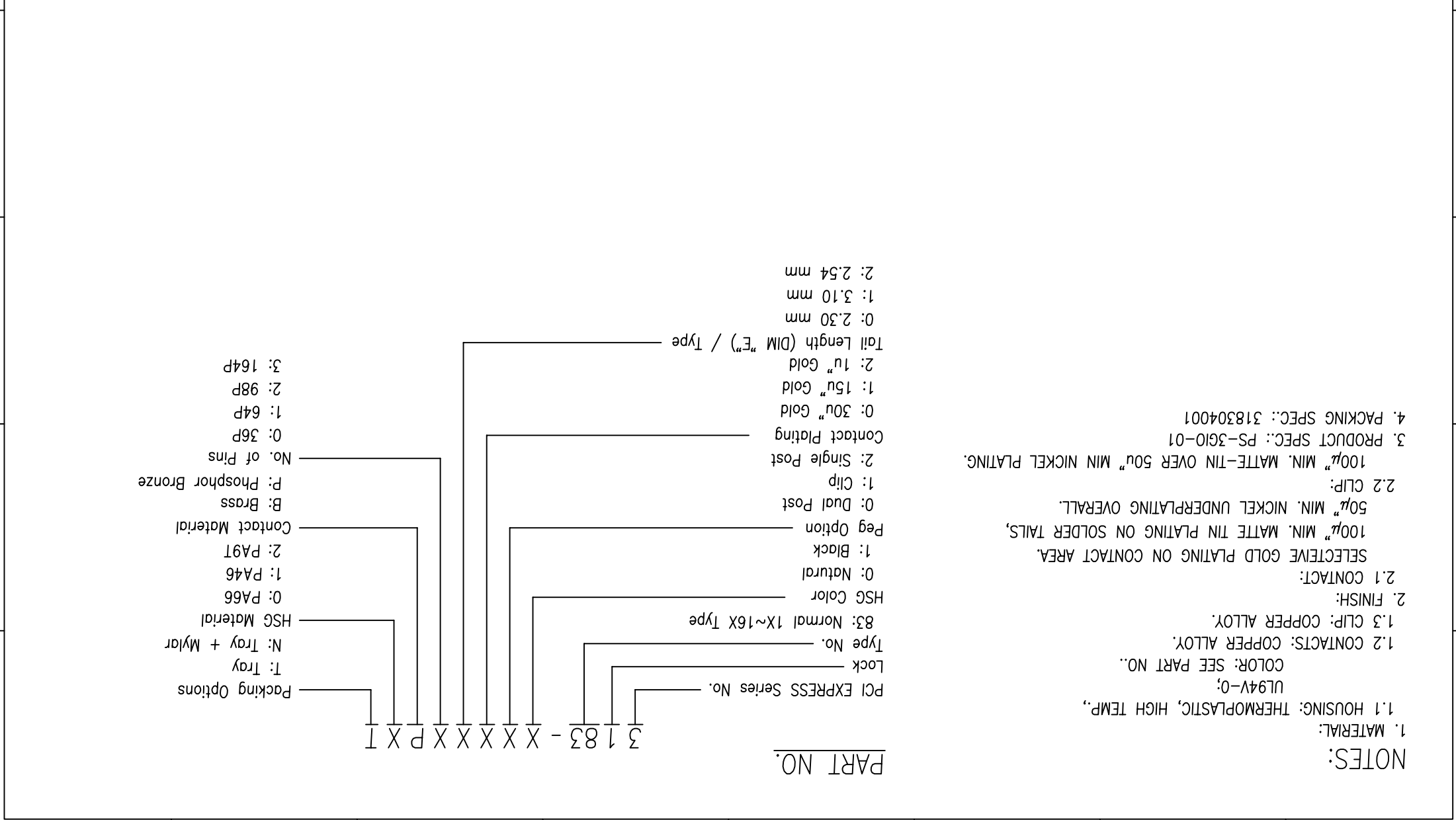
I/O PANEL DIRECTION
PRIMARY (COMPONENT) SIDE



I/O PANEL DIRECTION
SECONDARY (SOLDER) SIDE



1		REV	ECN NO.	NAME	DATE	.XXX ±	.XXX ±	DRWN: Schumi	Q'TY:	7				8
2		See Sheet 1				.XX ±	.XX ±	CHKD: Schumi	FINISH:	UNITS	SCALE	SHEET	REV	
3						.X ±	.X ±	APPD: Jason	MAT'L:	DWG NO.	318307001			
4						X. ±	X. ±	DONGGUAN UMAXCONN ENTERPRISE LIMITED		PART NO. 3183-XXXXXPXT				
5		TOLERANCE		LINEAR	ANGLES	UMax conn		TITLE: PCI EXPRESS 1.0mm CARD EDGE ASSY						
6		SCHUMI		SCHUMI		SCHUMI								
7		SCHUMI		SCHUMI		SCHUMI		MM						
8		SCHUMI		SCHUMI		SCHUMI		1 : 1						
9		SCHUMI		SCHUMI		SCHUMI		5 OF 5						
10		SCHUMI		SCHUMI		SCHUMI		BO						



PART NO.

PCI EXPRESS Series No. _____
Lock _____
Type No. _____
83: Normal 1X~16X Type _____
HSG Color _____
0: Natural
1: Black
Peg Option _____
0: Dual Post
1: Clip
2: Single Post
Contact Plating _____
0: 30u" Gold
1: 15u" Gold
2: 1u" Gold
Tail Length (DIM "E") / Type _____
0: 2.30 mm
1: 3.10 mm
2: 2.54 mm

Packaging Options _____
T: Tray
N: Tray + Mylar
HSG Material _____
0: PA66
1: PA46
2: PA9T
Contact Material _____
B: Brass
P: Phosphor Bronze
No. of Pins _____
0: 36P
1: 64P
2: 98P
3: 164P

NOTES:

1. MATERIAL: 1.1 HOUSING: THERMOPLASTIC, HIGH TEMP., UL94V-0; COLOR: SEE PART NO.. 1.2 CONTACTS: COPPER ALLOY. 1.3 CLIP: COPPER ALLOY. 2. FINISH: 2.1 CONTACT: SELECTIVE GOLD PLATING ON CONTACT AREA. 100µ" MIN. MATTE TIN PLATING ON SOLDER TAILS, 50µ" MIN. NICKEL UNDERPLATING OVERALL. 2.2 CLIP: 100µ" MIN. MATTE-TIN OVER 50µ" MIN NICKEL PLATING. 3. PRODUCT SPEC.: PS-3G10-01 4. PACKING SPEC.: 318304001

X-ON Electronics

Largest Supplier of Electrical and Electronic Components

Click to view similar products for [Standard Card Edge Connectors](#) category:

Click to view products by [UMAX](#) manufacturer:

Other Similar products are found below :

[6565204-6](#) [PKC-156](#) [1437274-4](#) [147889-1](#) [1489165-4](#) [EBT156-12B1X](#) [EBT15622B2X](#) [EBT156-22R2W](#) [1-582587-1](#) [1-582589-1](#) [2-6437275-9](#) [284-0102-12100](#) [306022901000000](#) [307-012-502-202](#) [307-024-526-201](#) [307-056-520-300](#) [307-080-526-208](#) [1926088-2](#) [245-062-520-350](#) [287-0032-12101](#) [306-010-500-112](#) [306-028-525-102](#) [306-240-318](#) [307-036-502-202](#) [307-036-521-301](#) [307-072-526-202](#) [345-060-559-303](#) [368-004-520-201](#) [392-008-559-201](#) [534671-1](#) [5-530501-5](#) [341-240-317](#) [345-029-520-300](#) [345-030-500-301](#) [345-044-500-300](#) [345-220-058](#) [346-240-318](#) [357-030-526-201](#) [387-012-523-300](#) [395-044-520-300](#) [395-100-524-300](#) [50-12B-10](#) [50-6SN-5](#) [09-07-2032](#) [10035388-106LF](#) [10035388-802LF](#) [10115859-011LF](#) [10122859-009LF](#) [101269333204245CLF](#) [10127905-B04B24BLF](#)