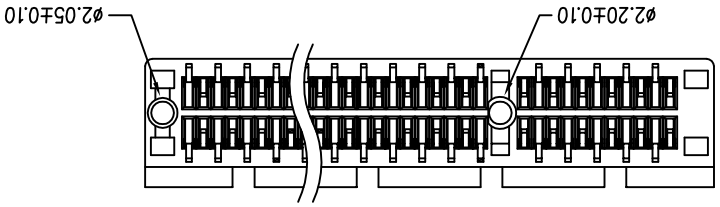
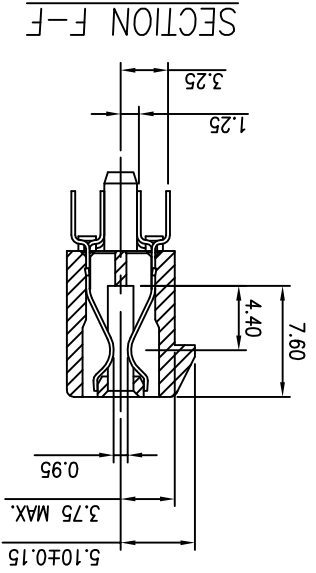
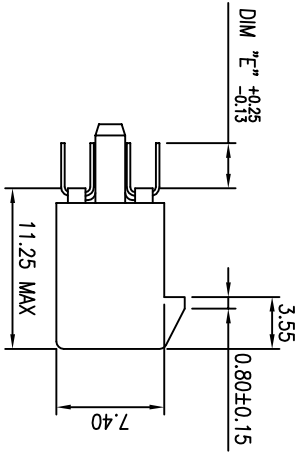
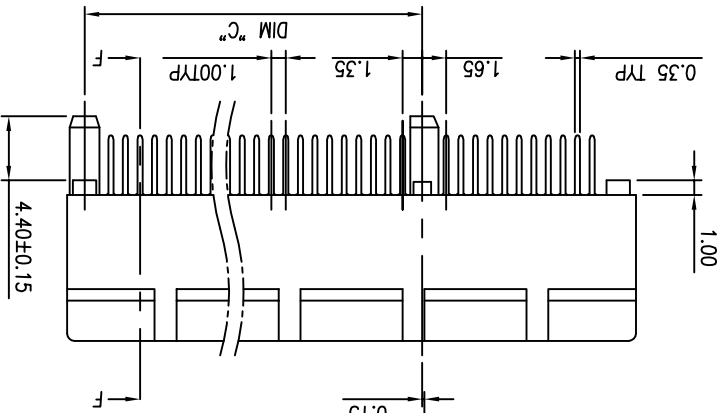
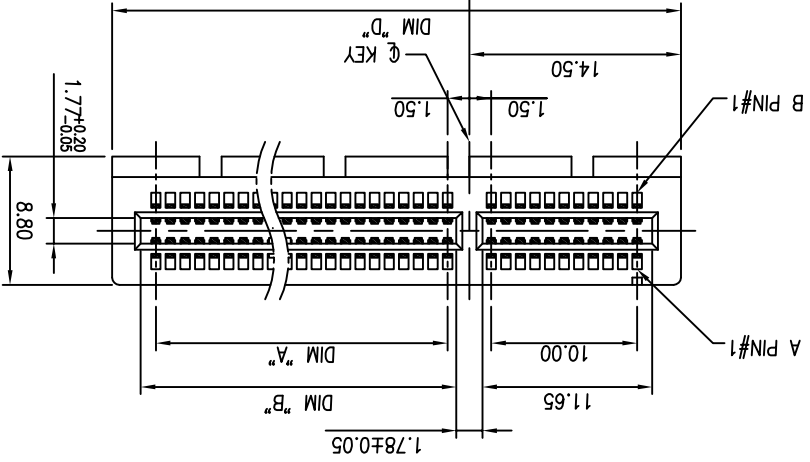


| DIMENSIONS |              |                      |              |              |
|------------|--------------|----------------------|--------------|--------------|
| POSITION   | A $\pm 0.10$ | B $^{+0.15}_{-0.05}$ | C $\pm 0.20$ | D $\pm 0.23$ |
| 36         | 6            | 7.65                 | 9.15         | 25.00        |
| 64         | 20           | 21.65                | 23.15        | 39.00        |
| 98         | 37           | 38.65                | 40.15        | 56.00        |
| 164        | 70           | 71.65                | 73.15        | 89.00        |



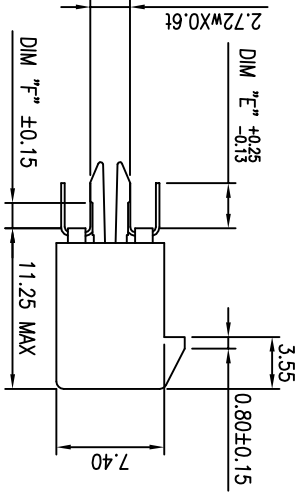
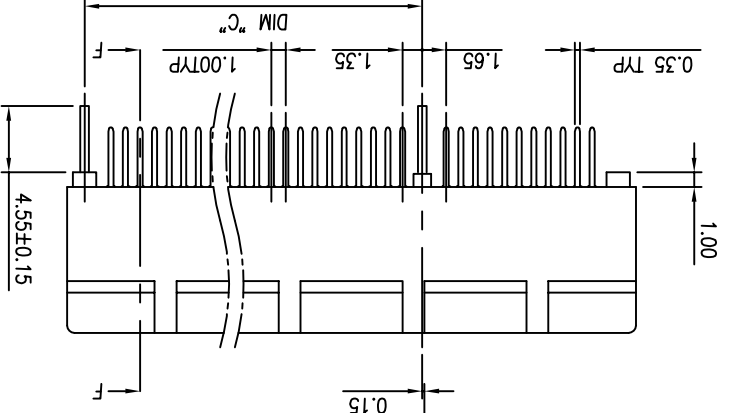
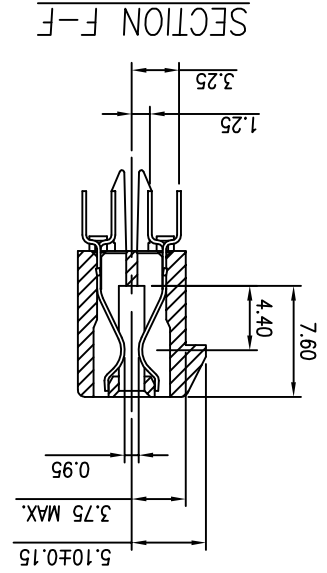
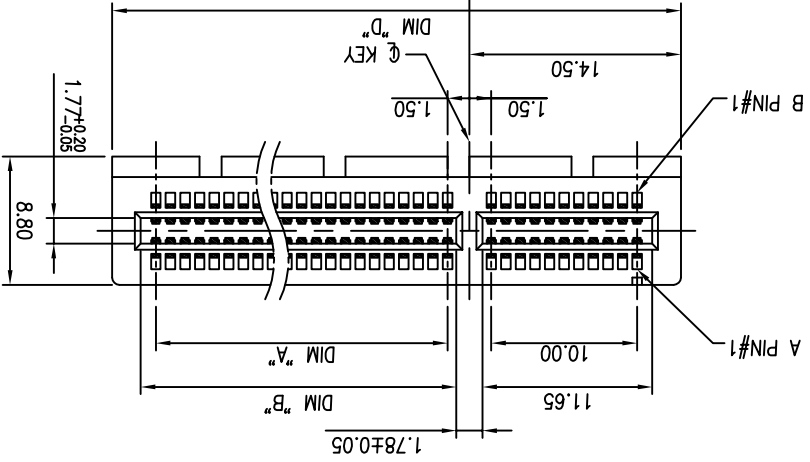
DUAL POST TYPE

|   |  |                                      |  |                   |  |
|---|--|--------------------------------------|--|-------------------|--|
| TITLE: PCI EXPRESS 1.0mm CARD EDGE ASSY |  | PART NO. 3183-XXXXXPXT               |  | DWG NO. 318307001 |  |
| Umax 东莞市外贸实业有限公司                        |  | DONGGUAN UMAXCONN ENTERPRISE LIMITED |  | APPD: John        |  |
| ANGLES                                  |  | MATERIAL: X.F.                       |  | CHKD: Jason       |  |
| LINEAR                                  |  | X.±0.40                              |  | Q'TY: Schumi      |  |
| TOLERANCE                               |  | X.±0.30                              |  | DRWN: Schumi      |  |
| X.±0.20                                 |  | X.±0.20                              |  | DATE: Oct,28,2005 |  |
| X.±0.10                                 |  | X.±0.10                              |  | NAME: Schumi      |  |
| REV                                     |  | ECN NO.                              |  | REV               |  |
| A                                       |  | 94035                                |  | A                 |  |
| B                                       |  | 09026                                |  | B                 |  |
| B0                                      |  |                                      |  | B0                |  |

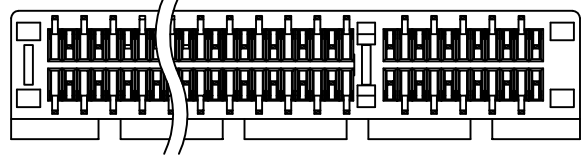
1 2 3 4 5 6 7 8 CUSTOMER

1 2 3 4 5 6 7 8

| DIMENSIONS |              |                      |              |              |
|------------|--------------|----------------------|--------------|--------------|
| POSITION   | A $\pm 0.10$ | B $+0.15$<br>$-0.05$ | C $\pm 0.20$ | D $\pm 0.23$ |
| 36         | 6            | 7.65                 | 9.15         | 25.00        |
| 64         | 20           | 21.65                | 23.15        | 39.00        |
| 98         | 37           | 38.65                | 40.15        | 56.00        |
| 164        | 70           | 71.65                | 73.15        | 89.00        |



| DIM E | PCB THICKNESS | DIM F |
|-------|---------------|-------|
| 2.30  | 1.56          | 1.7   |
| 3.10  | 2.36          | 2.5   |
| 2.54  | 1.56          | 1.7   |



CLIP TYPE

| TOLERANCE |         |
|-----------|---------|
| LINEAR    | X.±0.40 |
| ANGLES    | X.±     |

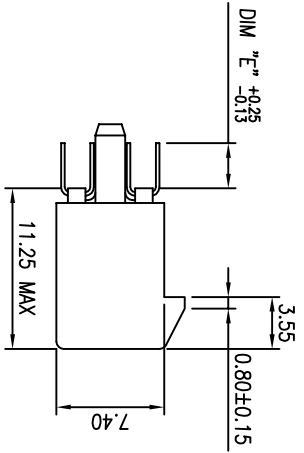
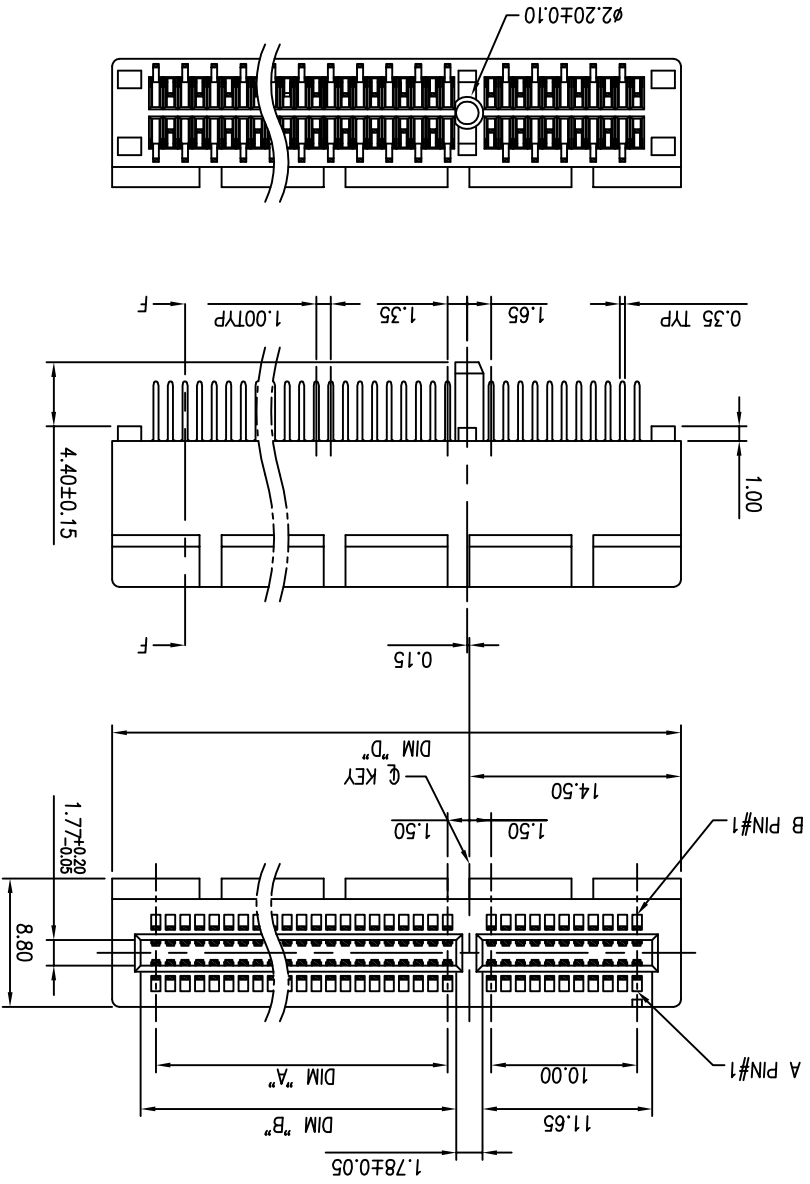
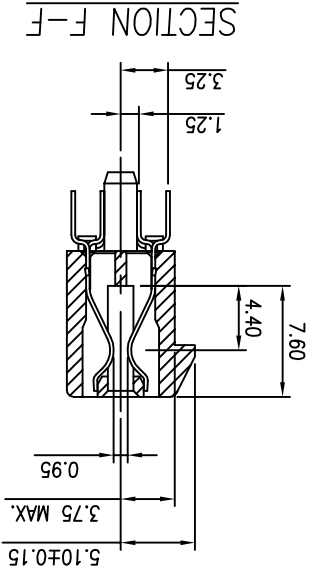
|           |                                     |
|-----------|-------------------------------------|
| TITLE:    | PCI EXPRESS 1.0mm<br>CARD EDGE ASSY |
| PART NO.  | 3183-XXXXXPXT                       |
| DWG NO.   | 318307001                           |
| REV       | REV                                 |
| ECN NO.   | See Sheet 1                         |
| NAME      | DATE                                |
| .XXX±0.10 | .XXX±                               |
| .XX±0.20  | .XX±                                |
| .X±0.30   | .X±                                 |
| APPD:     | Jason                               |
| CHKD:     | Schumi                              |
| DRWN:     | Schumi                              |
| Q'TY:     |                                     |

1 2 3 4 5 6 7 8 CUSTOMER

1 2 3 4 5 6 7 8

| DIMENSIONS |              |                      |              |
|------------|--------------|----------------------|--------------|
| POSITION   | A $\pm 0.10$ | B $+0.15$<br>$-0.05$ | D $\pm 0.23$ |
| 36         | 6            | 7.65                 | 25.00        |
| 64         | 20           | 21.65                | 39.00        |
| 98         | 37           | 38.65                | 56.00        |
| 164        | 70           | 71.65                | 89.00        |

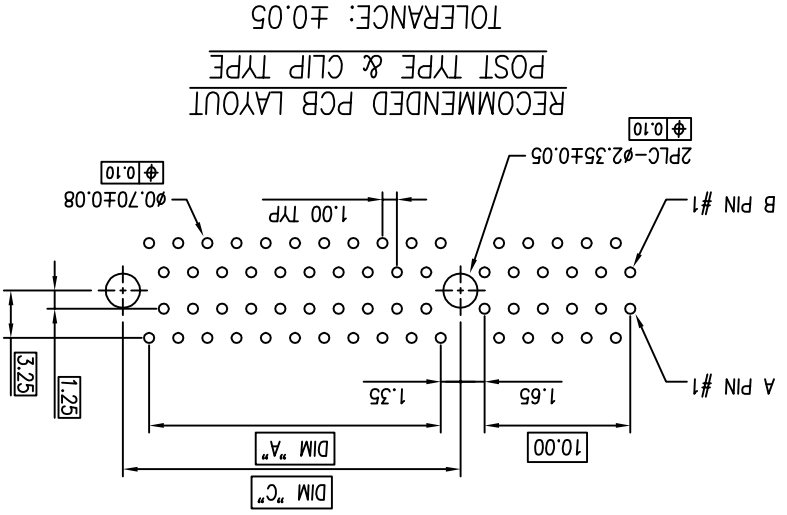
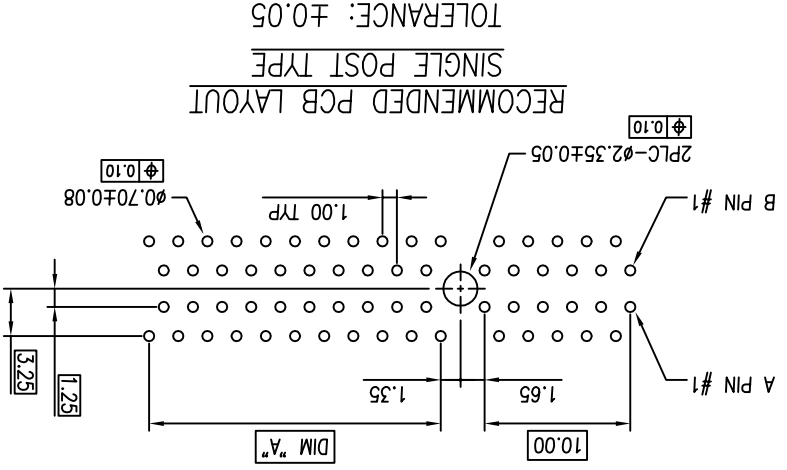
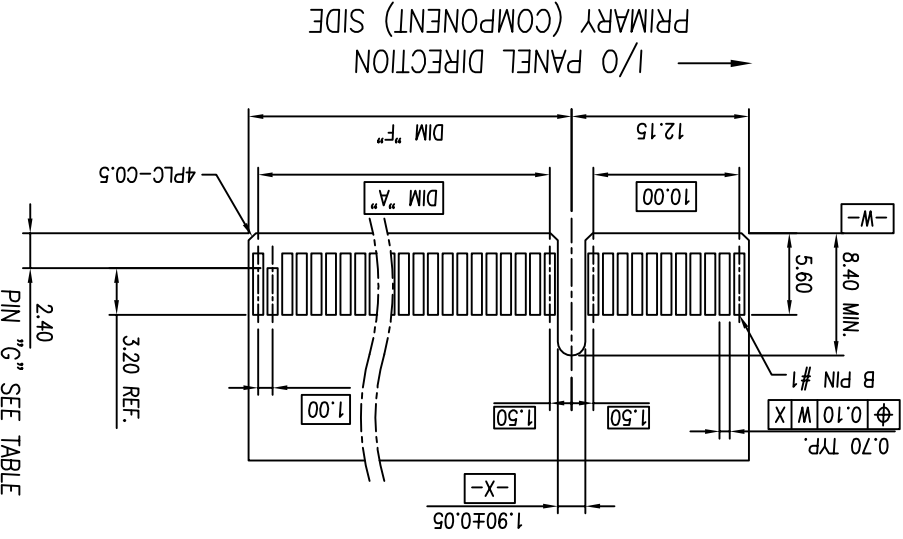
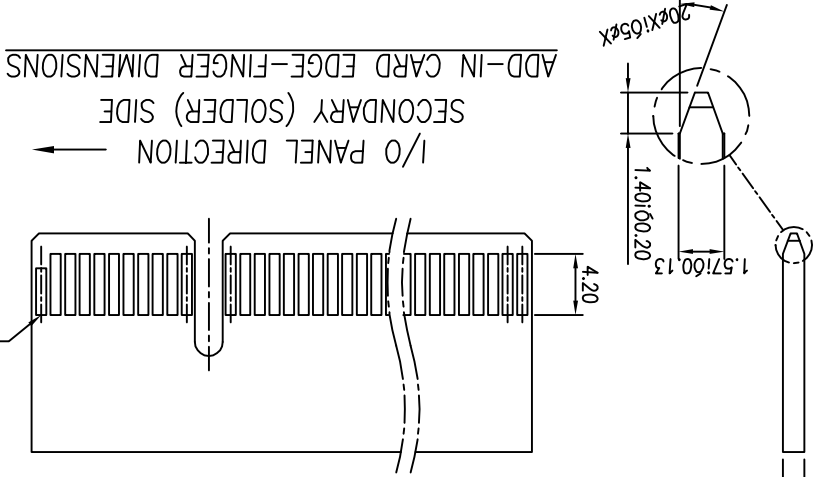
A B C D



SINGLE POST TYPE

|   |  |                       |  |                   |  |
|---|--|-----------------------|--|-------------------|--|
| TITLE: PCI EXPRESS 1.0mm CARD EDGE ASSY |  | PART NO. 3183-XXXXPXT |  | DWG NO. 318307001 |  |
| TOLERANCE                               |  | LINEAR                |  | X.±0.40           |  |
| ANGLES                                  |  | X.±                   |  | APPD: Jason       |  |
| Umax con                                |  | SCHUMI                |  | SCHUMI            |  |
| DONGGUAN UMAXCONN ENTERPRISE LIMITED    |  | CHKD: Schumi          |  | FINISH: Schumi    |  |
| Q'TY:                                   |  | DATE                  |  | NAME              |  |
| REV                                     |  | ECN NO.               |  | See Sheet 1       |  |
| REV                                     |  | SHEET                 |  | 3 OF 5            |  |
| BO                                      |  | SCALE                 |  | 1 : 1             |  |
| MM                                      |  | UNITS                 |  | MM                |  |
| CUSTOMER                                |  | 8                     |  | 7                 |  |

|             |         |        |      |               |   |  |  |                       |  |  |  |            |
|-------------|---------|--------|------|---------------|---|--|--|-----------------------|--|--|--|------------|
| REV         | ECN NO. | NAME   | DATE | .XXX<br>.XXX± | DRWN: Schumi  | Q'TY:                                      |  |                       |  |  |  | 8 CUSTOMER |
| See Sheet 1 |         |        |      | .XX<br>.XX±   | CHKD: Schumi  | FINISH:                                    |  |                       |  |  |  |            |
|             |         |        |      | .X<br>.X±     | APPD: Jason   | MAT'L:                                     |  |                       |  |  |  |            |
|             |         |        |      | X.<br>X.±     | <b>Umax</b><br>DONGGUAN UMAXCONN ENTERPRISE LIMITED |  |  | PART NO. 3183-XXXXPXT |  |  |  |            |
| TOLERANCE   |         | LINEAR |      | ANGLES        |   | TITLE: PCI EXPRESS 1.0mm<br>CARD EDGE ASSY |  | DWG NO. 318307001     |  |  |  |            |



| DIMENSIONS |    |       |         |          |  |
|------------|----|-------|---------|----------|--|
| POSITION   | A  | C     | F ±0.20 | G        |  |
| 36         | 6  | 9.15  | 8.15    | B PIN#17 |  |
| 64         | 20 | 23.15 | 22.15   | B PIN#31 |  |
| 98         | 37 | 40.15 | 39.15   | B PIN#48 |  |
| 164        | 70 | 73.15 | 72.15   | B PIN#81 |  |



## X-ON Electronics

Largest Supplier of Electrical and Electronic Components

*Click to view similar products for [Standard Card Edge Connectors](#) category:*

*Click to view products by [UMAX](#) manufacturer:*

Other Similar products are found below :

[6565204-6](#) [PKC-156](#) [1437274-4](#) [147889-1](#) [1489165-4](#) [EBT156-12B1X](#) [EBT15622B2X](#) [EBT156-22R2W](#) [1-582587-1](#) [1-582589-1](#) [2-6437275-9](#) [284-0102-12100](#) [306022901000000](#) [307-012-502-202](#) [307-024-526-201](#) [307-056-520-300](#) [307-080-526-208](#) [1926088-2](#) [245-062-520-350](#) [287-0032-12101](#) [306-010-500-112](#) [306-028-525-102](#) [306-240-318](#) [307-036-502-202](#) [307-036-521-301](#) [307-072-526-202](#) [345-060-559-303](#) [368-004-520-201](#) [392-008-559-201](#) [534671-1](#) [5-530501-5](#) [341-240-317](#) [345-029-520-300](#) [345-030-500-301](#) [345-044-500-300](#) [345-220-058](#) [346-240-318](#) [357-030-526-201](#) [387-012-523-300](#) [395-044-520-300](#) [395-100-524-300](#) [50-12B-10](#) [50-6SN-5](#) [09-07-2032](#) [10035388-106LF](#) [10035388-802LF](#) [10115859-011LF](#) [10122859-009LF](#) [101269333204245CLF](#) [10127905-B04B24BLF](#)