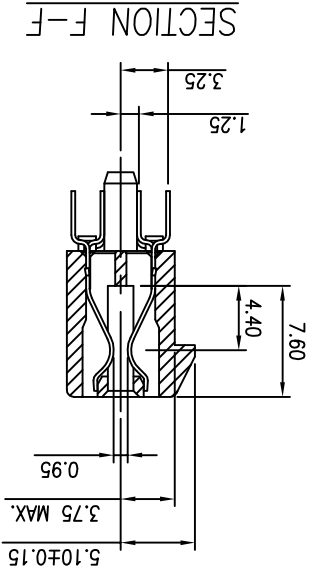
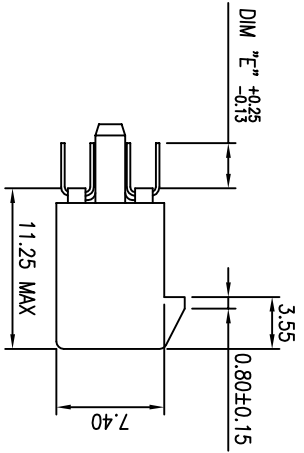
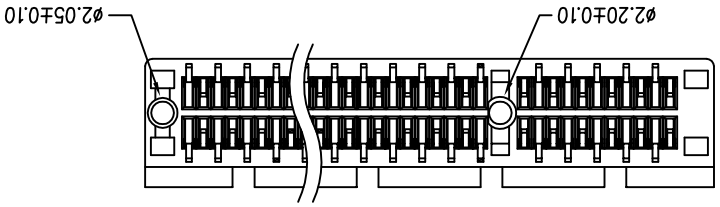
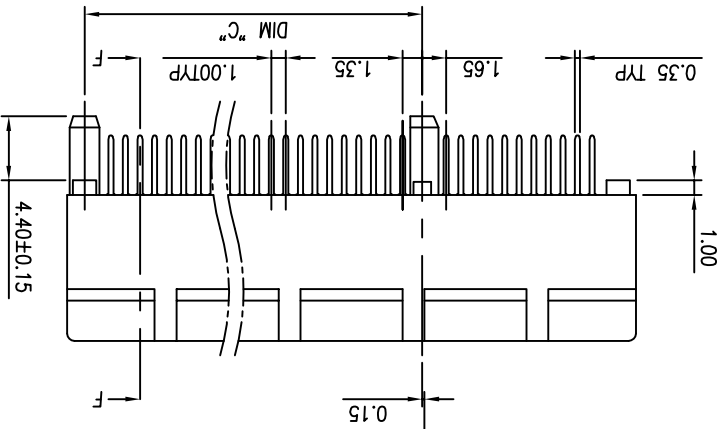
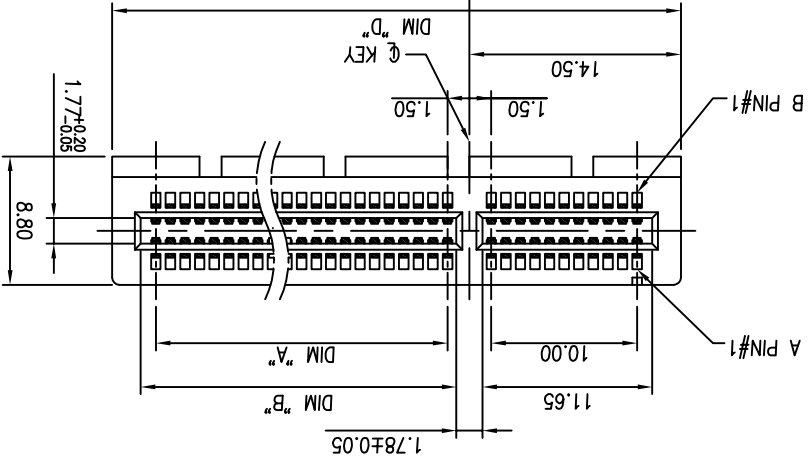


DIMENSIONS				
POSITION	A ± 0.10	B $^{+0.15}_{-0.05}$	C ± 0.20	D ± 0.23
36	6	7.65	9.15	25.00
64	20	21.65	23.15	39.00
98	37	38.65	40.15	56.00
164	70	71.65	73.15	89.00



TOLERANCE

LINEAR ANGLES

Umax conn
DONGGUAN UMAXCONN ENTERPRISE LIMITED
东莞市友贸实业有限公司

TITLE:

PCI EXPRESS 1.0mm
CARD EDGE ASSY

PART NO. 3183-XXXXXPXT

DWG NO. 318307001

REV	ECN NO.	NAME	DATE	.XXX±.10	.XXX±.20	.XXX±.30	.X±.40	X±.40	APPD:	John	MAT'L:	FINISH:	UNITS	SCALE	SHEET	REV
B0		Terry	May,11,2011	X±.40	X±.40	X±.40	X±.40	X±.40	APPD:	John	MAT'L:	FINISH:	UNITS	SCALE	SHEET	REV
B	09026	Terry	Jul,10,2009	X±.30	X±.20	X±.20	X±.20	X±.20	CHKD:	Jason	Q'TY:	Q'TY:	MM	1:1	1 OF 5	B0
A	94035	Schumi	Oct,28,2005	.XXX±.10	.XXX±.20	.XXX±.30	.XXX±.40	.XXX±.40	DRWN:	Schumi	Q'TY:	Q'TY:	MM	1:1	1 OF 5	B0

DUAL POST TYPE

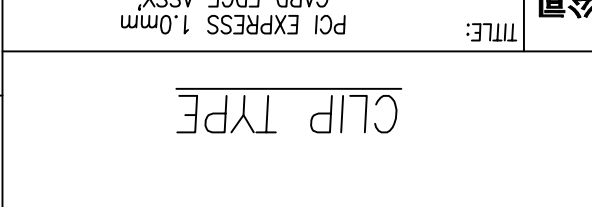
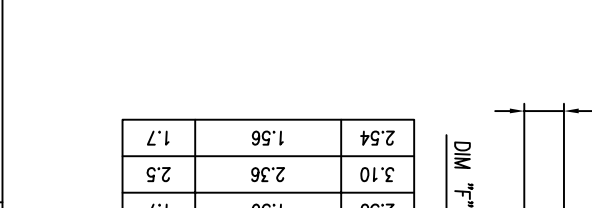
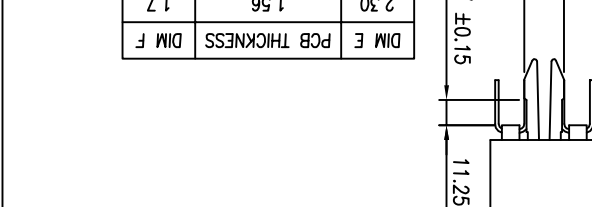
CUSTOMER

1 2 3 4 5 6 7 8

POSITION	A ± 0.10	B $^{+0.15}_{-0.05}$	C ± 0.20	D ± 0.23
36	6	7.65	9.15	25.00
64	20	21.65	23.15	39.00
98	37	38.65	40.15	56.00
164	70	71.65	73.15	89.00

DIM E	PCB THICKNESS	DIM F
2.30	1.56	1.7
3.10	2.36	2.5
2.54	1.56	1.7

DIM "F"	± 0.15
7.40	
11.25 MAX	



SECTION F-F

A PIN#1
B PIN#1

DIM "A"
DIM "B"
DIM "C"
DIM "D"

1.78 ± 0.05
11.65
10.00
1.50
1.50
14.50
1.50

1.77 ± 0.20
8.80

0.15
1.00
0.35 TYP
1.65
1.35
1.00 TYP
1.07 TYP
4.55 ± 0.15

DIM "E" +0.25 -0.13
DIM "F" ± 0.15
7.40
0.80 ± 0.15
3.55
11.25 MAX

2.72 w x 0.6t

CLIP TYPE

Umax
DONGGUAN UMAXCONN ENTERPRISE LIMITED
东莞市外贸实业有限公司

TITLE:
PCI EXPRESS 1.0mm
CARD EDGE ASSY

PART NO. 3183-XXXXXPXT
DWG NO. 318307001

APPD: Jason
CHKD: Schumi
DRWN: Schumi

Q'TY:
FINISH:
MATERIAL:

DATE
NAME
ECN NO.

REV
See Sheet 1

Umax
DONGGUAN UMAXCONN ENTERPRISE LIMITED
东莞市外贸实业有限公司

TOLERANCE
LINEAR
ANGLES

X ± 0.40
X ± 0.30
X ± 0.20
XXX ± 0.10

8 CUSTOMER

7

6

5

4

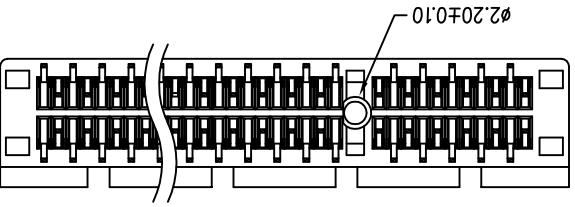
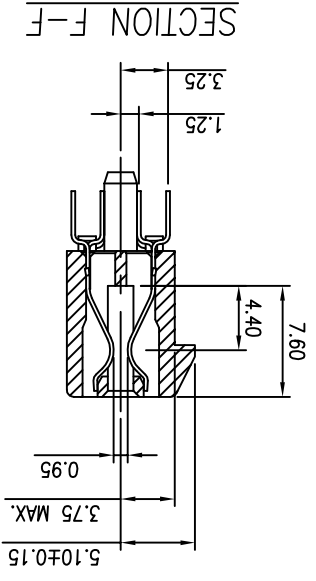
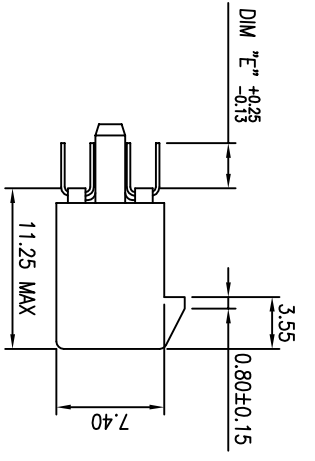
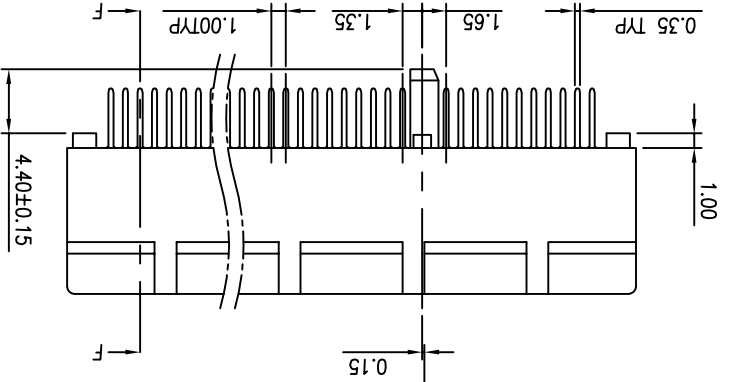
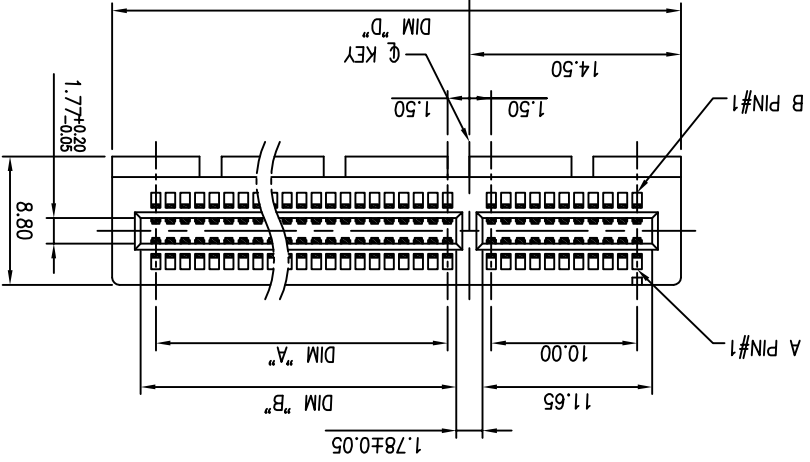
3

2

1

1 2 3 4 5 6 7 8

DIMENSIONS			
POSITION	A ± 0.10	B $+0.15$ -0.05	D ± 0.23
36	6	7.65	25.00
64	20	21.65	39.00
98	37	38.65	56.00
164	70	71.65	89.00



TOLERANCE	
LINEAR	X \pm 0.40
ANGLES	X \pm

Umax
DONGGUAN UMAXCONN ENTERPRISE LIMITED
东莞市外贸实业有限公司

TITLE: PCI EXPRESS 1.0mm
CARD EDGE ASSY
PART NO. 3183-XXXXPXT
DWG NO. 318307001

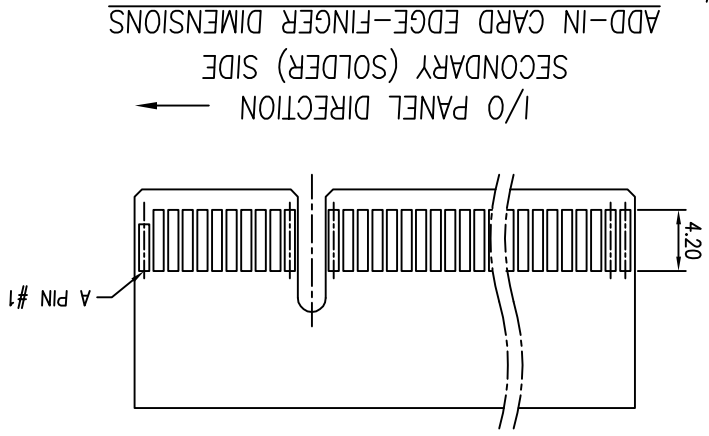
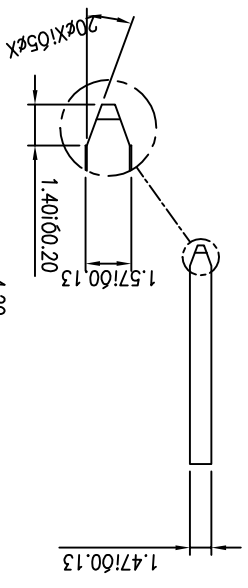
REV	ECN NO.	NAME	DATE	.XXX \pm 0.10	.XXX \pm	CHKD: Schumi	FINISH:	Q'TY:
REV	See Sheet 1			X \pm 0.20	X \pm	DRWN: Schumi		

APPD: Jason	MAT'L:	DWG NO. 318307001	UNITS	SCALE	SHEET	REV
			MM	1 : 1	3 OF 5	BO

7 8 CUSTOMER

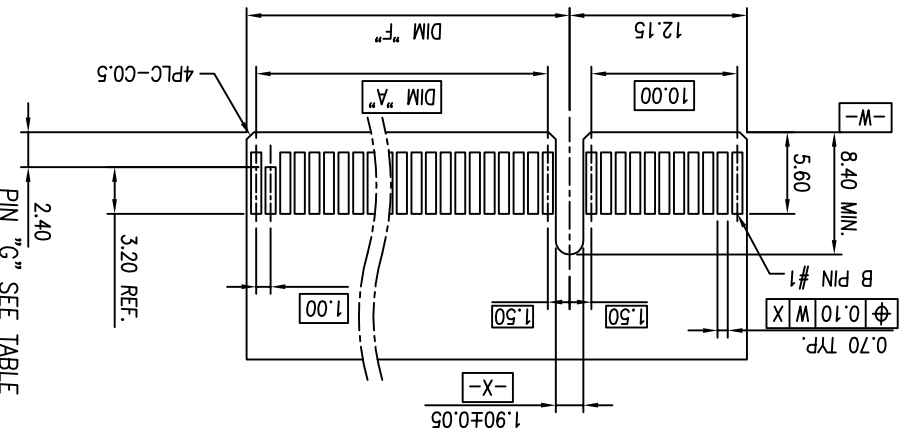
SINGLE POST TYPE

1 2 3 4 5 6 7 8



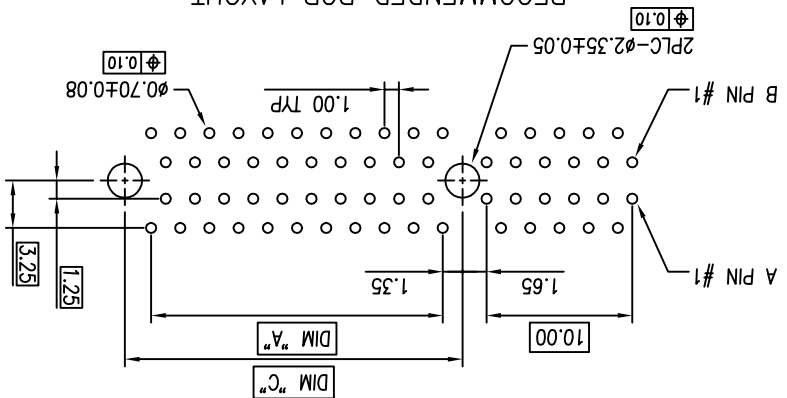
I/O PANEL DIRECTION
SECONDARY (SOLDER) SIDE
← ADD-IN CARD EDGE-FINGER DIMENSIONS

I/O PANEL DIRECTION
PRIMARY (COMPONENT) SIDE
→

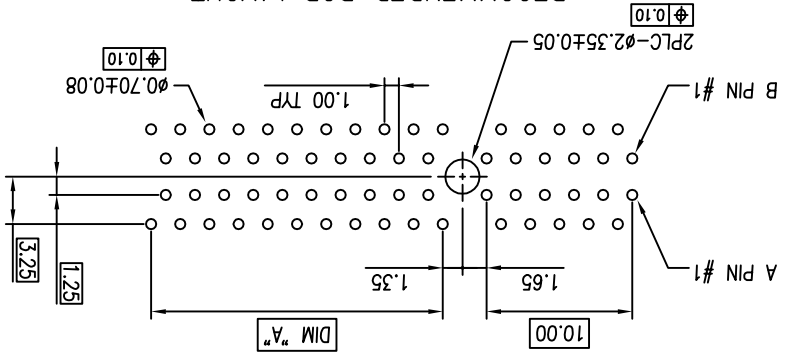


DIMENSIONS

POSITION	A	C	F ±0.20	G
36 B PIN#17	6	9.15	8.15	
64 B PIN#31	20	23.15	22.15	
98 B PIN#48	37	40.15	39.15	
164 B PIN#81	70	73.15	72.15	



RECOMMENDED PCB LAYOUT
POST TYPE & CLIP TYPE
TOLERANCE: ±0.05



RECOMMENDED PCB LAYOUT
SINGLE POST TYPE
TOLERANCE: ±0.05

TOLERANCE		TITLE: PCI EXPRESS 1.0mm CARD EDGE ASSY		DONGGUAN UMAXCONN ENTERPRISE LIMITED		PART NO. 3183-XXXXPXT		DWG NO. 318307001	
LINEAR		ANGLES		UMax conn 东莞市外贸实业有限公司		APPD: Jason		MAT'L:	
X.	X.±			SCHUMI: Schumi		FINISH: Schumi		Q'TY:	
TOLERANCE		TITLE: PCI EXPRESS 1.0mm CARD EDGE ASSY		DONGGUAN UMAXCONN ENTERPRISE LIMITED		PART NO. 3183-XXXXPXT		DWG NO. 318307001	
LINEAR		ANGLES		UMax conn 东莞市外贸实业有限公司		APPD: Jason		MAT'L:	
X.	X.±			SCHUMI: Schumi		FINISH: Schumi		Q'TY:	
TOLERANCE		TITLE: PCI EXPRESS 1.0mm CARD EDGE ASSY		DONGGUAN UMAXCONN ENTERPRISE LIMITED		PART NO. 3183-XXXXPXT		DWG NO. 318307001	
REV	ECN NO.	NAME		DATE		.XXX ±		.XXX ±	
See Sheet 1									

8 CUSTOMER 7 6 5 4 3 2 1

	REV	ECON NO.	NAME	DATE	.XXX ±	.XXX ±
	See Sheet 1				.XX ±	.XX ±
					.X ±	.X ±
TITLE:	PART NO. 3183-XXXXXPXT		APPD: Jason	MAT'L:	DWG NO. 318307001	
	PCI EXPRESS 1.0mm CARD EDGE ASSY		DONGGUAN UMAXCONN ENTERPRISE LIMITED			
TITLE:		DONGGUAN UMAXCONN ENTERPRISE LIMITED		UMax conn		

NOTES:

1. MATERIAL: THERMOPLASTIC, HIGH TEMP., UL94V-0;

COLOR: SEE PART NO.

1.2 CONTACTS: COPPER ALLOY.

1.3 CLIP: COPPER ALLOY.

2. FINISH:

2.1 CONTACT: SELECTIVE GOLD PLATING ON CONTACT AREA.

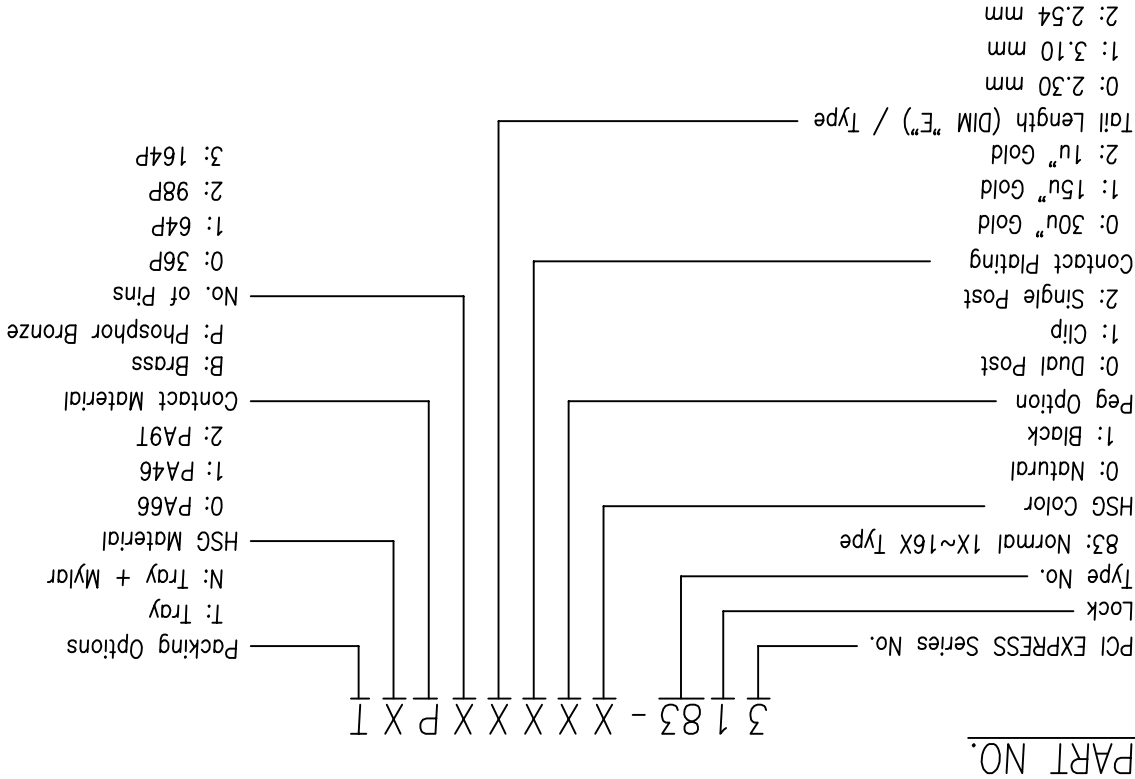
100μ" MIN. MATTE TIN PLATING ON SOLDER TAILS,

50μ" MIN. NICKEL UNDERPLATING OVERALL.

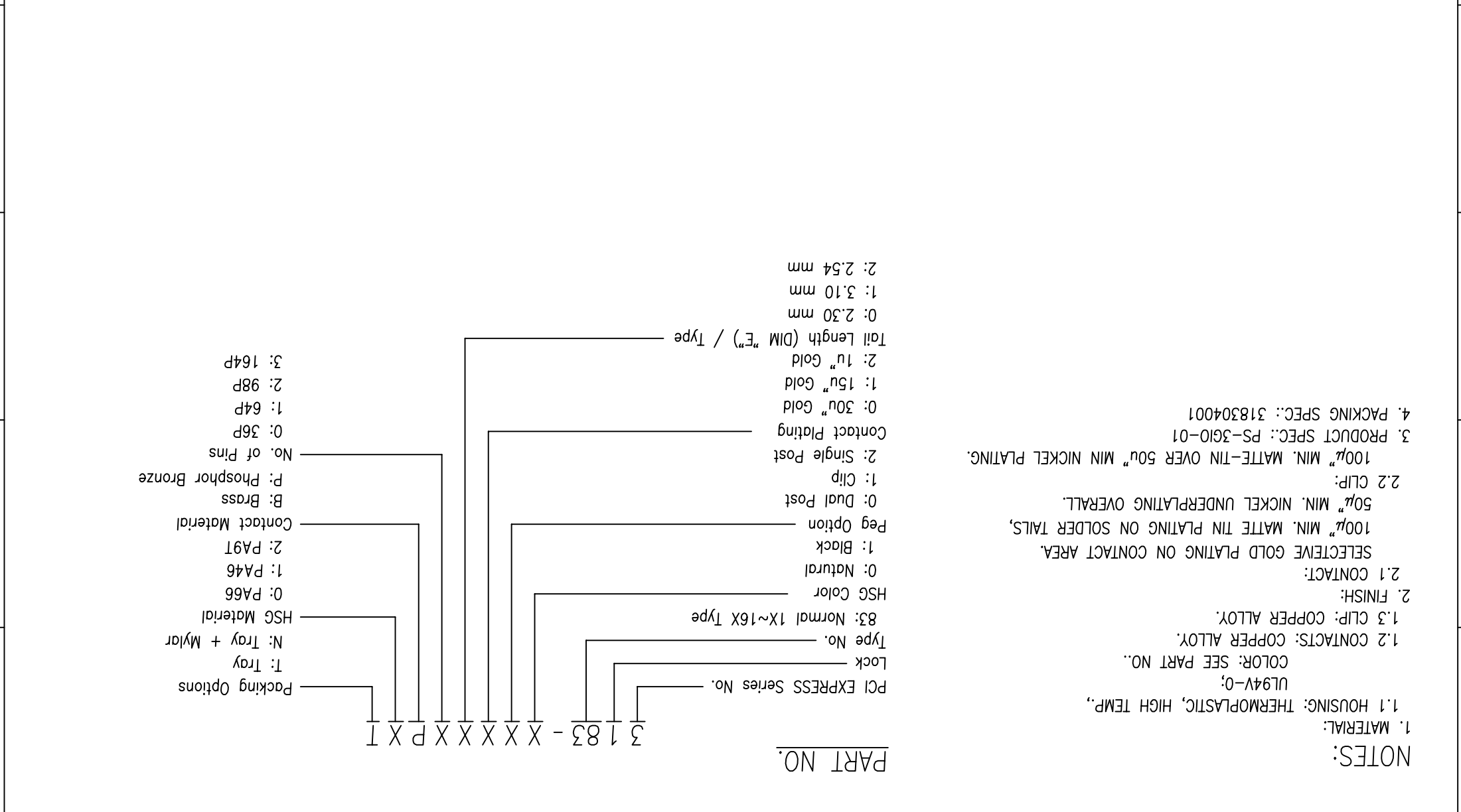
2.2 CLIP: 100μ" MIN. MATTE-TIN OVER 50μ" MIN NICKEL PLATING.

3. PRODUCT SPEC.: PS-3G10-01

4. PACKING SPEC.: 318304001



- Packing Options ————
- T: Tray
- N: Tray + Mylar
- HSG Material ————
- 0: PA66
- 1: PA46
- 2: PA9T
- Contact Material ————
- B: Brass
- P: Phosphor Bronze
- No. of Pins ————
- 0: 36P
- 1: 64P
- 2: 98P
- 3: 164P



	REV	ECON NO.	NAME	DATE	.XXX ±	.XXX ±
	See Sheet 1				.XX ±	.XX ±
					.X ±	.X ±
TITLE:	PART NO. 3183-XXXXXPXT		APPD: Jason	MAT'L:	DWG NO. 318307001	
	PCI EXPRESS 1.0mm CARD EDGE ASSY		DONGGUAN UMAXCONN ENTERPRISE LIMITED			
TITLE:		DONGGUAN UMAXCONN ENTERPRISE LIMITED		UMax conn		

X-ON Electronics

Largest Supplier of Electrical and Electronic Components

Click to view similar products for [Standard Card Edge Connectors](#) category:

Click to view products by [UMAX](#) manufacturer:

Other Similar products are found below :

[6565204-6](#) [PKC-156](#) [1437274-4](#) [147889-1](#) [1489165-4](#) [EBT156-12B1X](#) [EBT15622B2X](#) [EBT156-22R2W](#) [1-582587-1](#) [1-582589-1](#) [2-6437275-9](#) [284-0102-12100](#) [306022901000000](#) [307-012-502-202](#) [307-024-526-201](#) [307-056-520-300](#) [307-080-526-208](#) [1926088-2](#) [245-062-520-350](#) [287-0032-12101](#) [306-010-500-112](#) [306-028-525-102](#) [306-240-318](#) [307-036-502-202](#) [307-036-521-301](#) [307-072-526-202](#) [345-060-559-303](#) [368-004-520-201](#) [392-008-559-201](#) [534671-1](#) [5-530501-5](#) [341-240-317](#) [345-029-520-300](#) [345-030-500-301](#) [345-044-500-300](#) [345-220-058](#) [346-240-318](#) [357-030-526-201](#) [387-012-523-300](#) [395-044-520-300](#) [395-100-524-300](#) [50-12B-10](#) [50-6SN-5](#) [09-07-2032](#) [10035388-106LF](#) [10035388-802LF](#) [10115859-011LF](#) [10122859-009LF](#) [101269333204245CLF](#) [10127905-B04B24BLF](#)