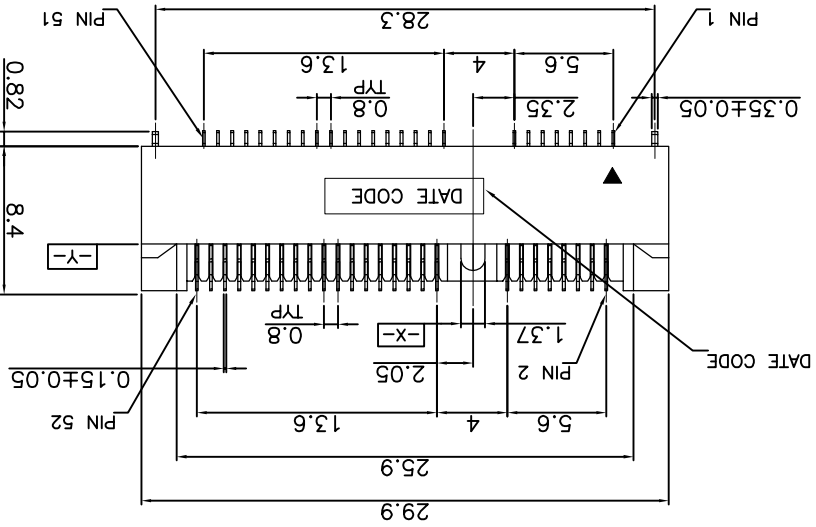
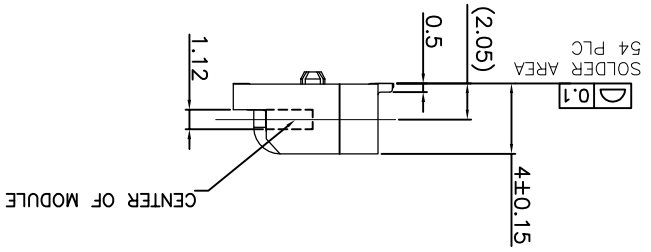
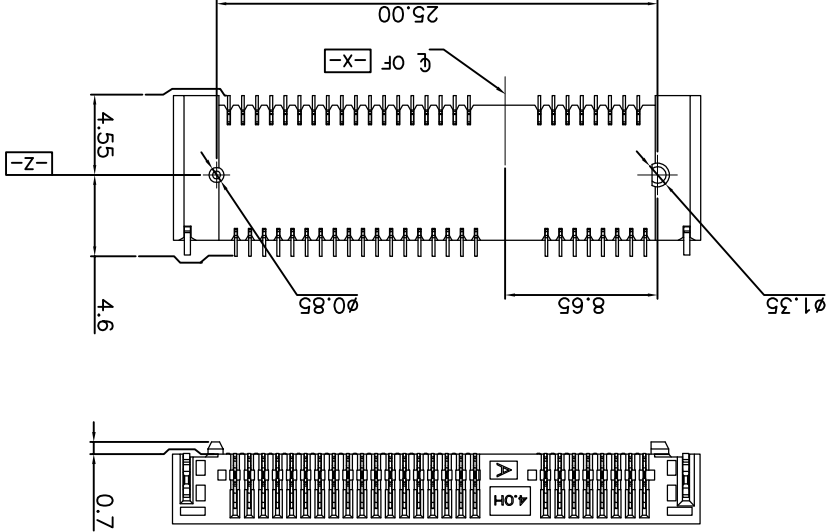


REV	Ecn NO.	NAME	DATE	.XXX±.15	.XXX±	DRWN: Lei Songping	Q'TY:		
	0	----	Lei Songping	Jun,06,2019	.XX±.20	CHKD: Schumi	FINISH:		
				.X±.30	.X±	APPD: Jason	MAT'L:		
				X.±.40	X.±	Umax DONGGUAN UMAXCONN ENTERPRISE LIMITED 东莞市外贸实业有限公司			
				LINEAR	ANGLES				
				TOLERANCE					
TITLE: MINI PCI EXPRESS 4.0MM HEIGHT PART NO. 91304-40-052RXXX DWG NO. C-91304-40									



NOTES:
 1. MATERIAL: HOUSING: THERMOPLASTIC, HIGH TEMP, UL94V-0, BLACK COLOR,
 CONTACTS: COPPER ALLOY.
 PEGS: COPPER ALLOY.

2. FINISH:
 CONTACTS: SELECTED GOLD PLATING ON THE CONTACT AREA,
 1u" MIN. GOLD PLATING ON THE SOLDERTAILS,
 50 u" MIN. NICKEL UNDERPLATING OVER ALL.
 PEGS: 120u" MIN. MATTE-TIN OVER 50u" MIN. NICKEL.

3. PACKAGING SPECIFICATION: 9130404001

4. PRODUCT SPECIFICATION: PS-MINI PCI-E-01

5. DATE CODE: YYYWDD

YY: YEAR (19: 2019)
 WW: WEEK (25: THE 25TH WEEK)
 DD: (D1~D7: SUNDAY~SATURDAY)

PRODUCT NUMBER CODE

91304 - 40 - 052 R X XX

40: 4.0H HEIGHT
 52 CONTACTS
 PACKAGING OPTIONS
 R: TAPE & REEL
 HALOGEN OPTIONS
 BLANK: HALOGEN
 HF: HALOGEN FREE
 CONTACT AREA PLATING
 0: 30u" GOLD
 1: 10u" GOLD
 2: GOLD FLASH

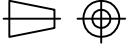
TITLE:

MINI PCI EXPRESS 4.0MM HEIGHT

UMax 东莞市友贸实业有限公司
 DONGGUAN UMAXCONN ENTERPRISE LIMITED

PART NO. 91304-40-052RXXX

DWG NO. C-91304-40



UNITS

SCALE

SHEET

REV

7

8

6

5

4

3

2

1

REV

ECON NO.

NAME

DATE

.XXX±0.15

.XX±

DRWN: Lei Songping

Q'TY:

7

MM

1 : 1

2 OF 5

0

8

6

5

4

3

2

1

REV

ECON NO.

NAME

DATE

.XXX±0.15

.XX±

DRWN: Lei Songping

Q'TY:

7

MM

1 : 1

2 OF 5

0

8

6

5

4

3

2

1

REV

ECON NO.

NAME

DATE

.XXX±0.15

.XX±

DRWN: Lei Songping

Q'TY:

7

MM

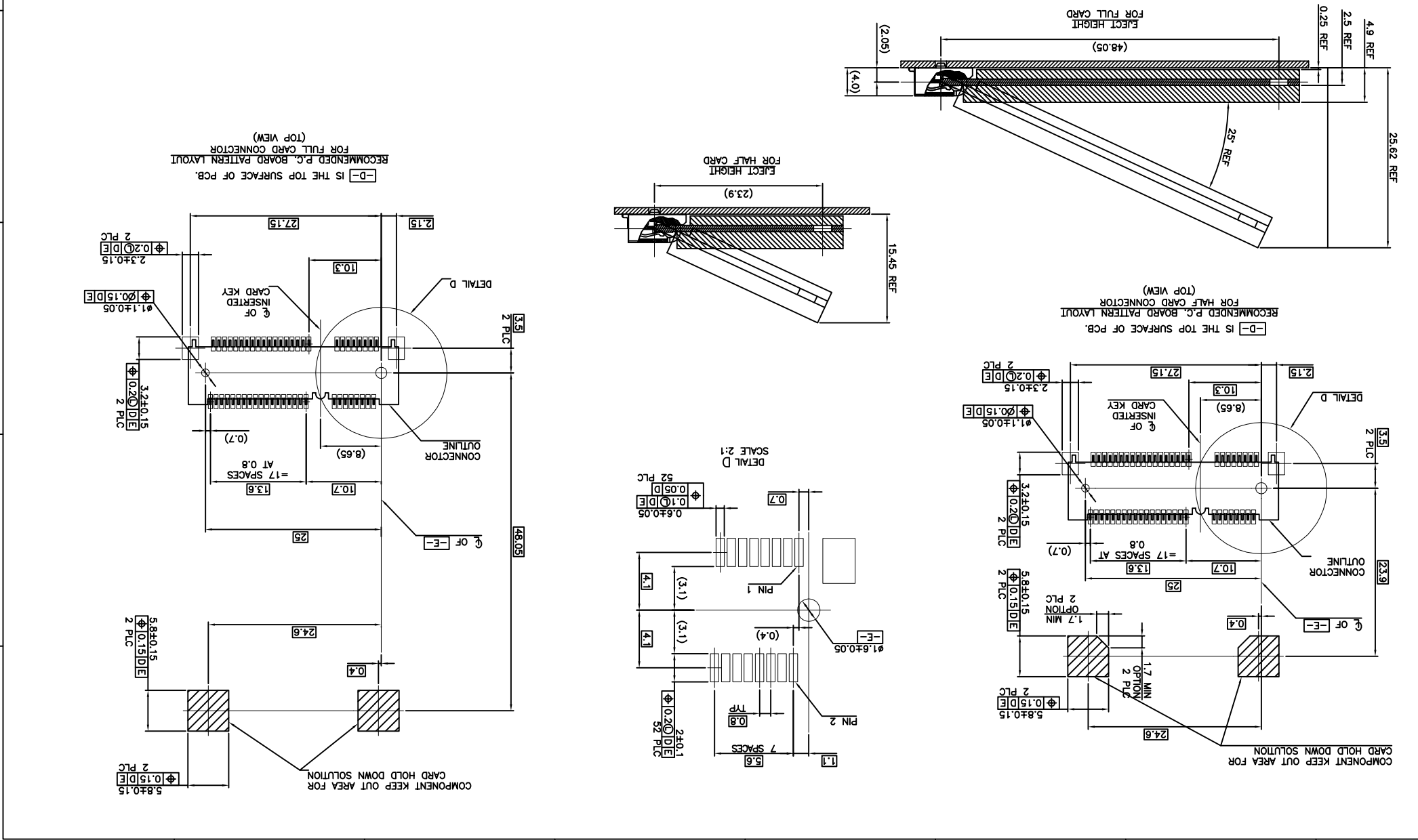
1 : 1

2 OF 5

0

8

1
2
3
4
5
6
7
8



TOLERANCE	
LINEAR	X.±
ANGLES	X.±

TITLE:	
MINI PCI EXPRESS 4.0MM HEIGHT	

PART NO.	91304-40-052RXXX
DWG NO.	C-91304-40

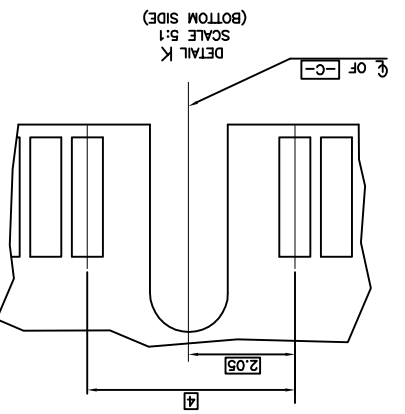
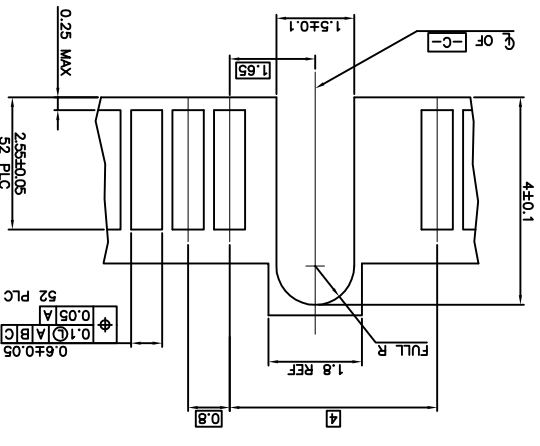
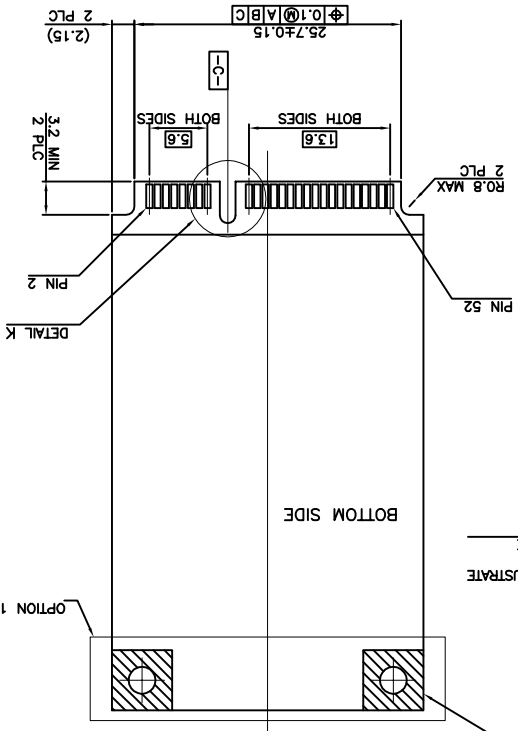
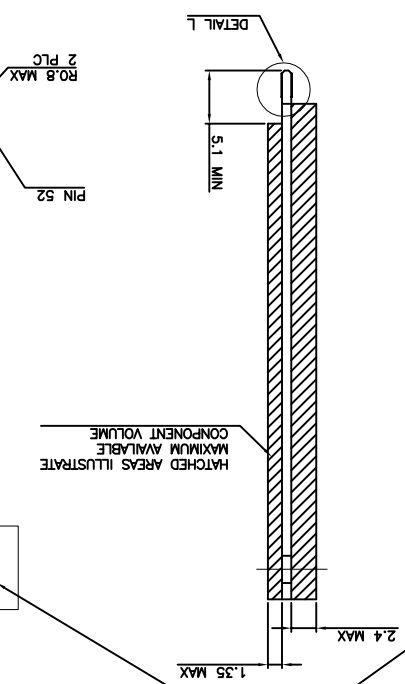
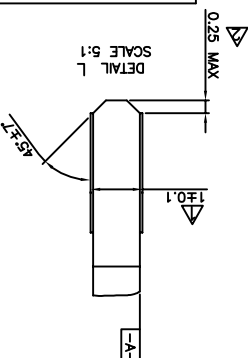
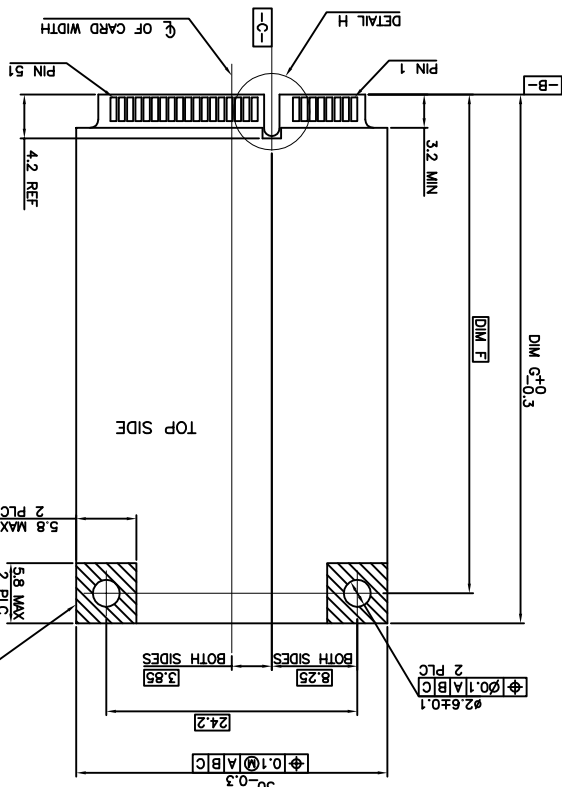
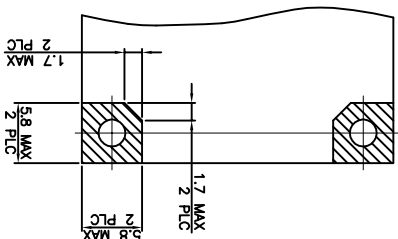
REV	ECCN NO.	NAME	DATE	.XXX±	.XXX±
0	----	Lei Songping	Jun,06,2019	.XX±	.XX±

DRWN:	Lei Songping	Q'TY:	
CHKD: <td>Schumi</td> <td>FINISH:<td></td></td>	Schumi	FINISH: <td></td>	
APPD: <td>Jason</td> <td>MAT'L:<td></td></td>	Jason	MAT'L: <td></td>	

UNITS	SCALE	SHEET	REV
MM	1:1	3 OF 5	0

CUSTOMER
8

OPTION 1
FOR HALF-MINI CARD
(TOP & BOTTOM SIDE)



DIM F	DIM G	48.05	50.95
FULL-MINI CARD	FULL-MINI CARD	23.9	26.8
KEEP OUT AREA FOR HOLD DOWN SOLUTIONS			

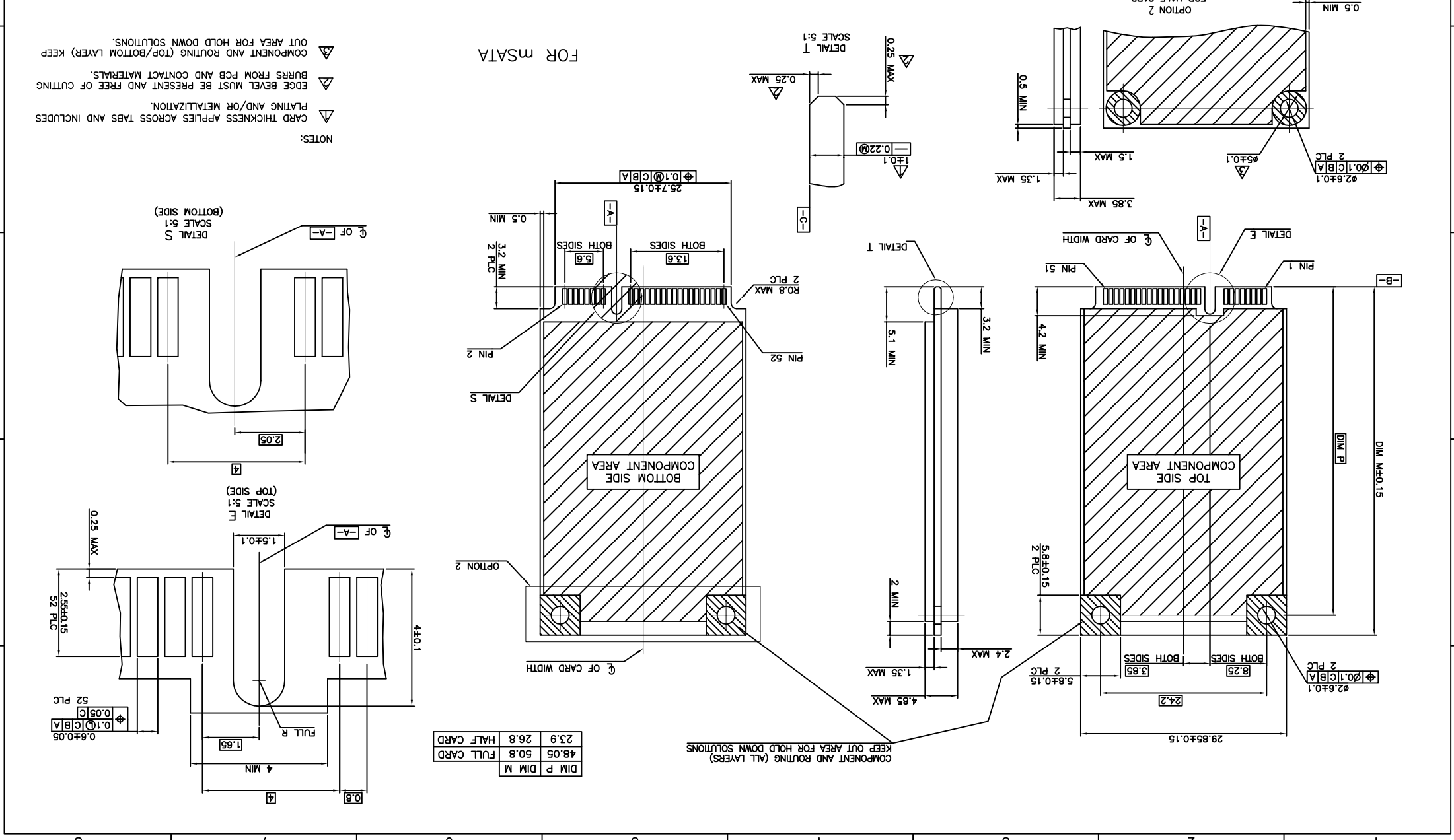
PIN NUMBERING REFERENCE:
ODD PINS-TOP SIDE
EVEN PINS-BOTTOM SIDE
OF CARD WIDTH

FOR PCI EXPRESS MINI CARD

- NOTES:
- CARD THICKNESS APPLIES ACROSS TABS AND INCLUDES PLATING AND/OR METALLIZATION.
 - EDGE BEVEL MUST BE PRESENT AND FREE OF CUTTING BURRS FROM PCB AND CONTACT MATERIALS.

TOLERANCE		TITLE: MINI PCI EXPRESS 4.0MM HEIGHT		PART NO. 91304-40-052RXXX		DWG NO. C-91304-40	
X.±		X.±		X.±		X.±	
L INEAR		L INEAR		L INEAR		L INEAR	
ANGLES		ANGLES		ANGLES		ANGLES	
DONGGUAN UMAXCONN ENTERPRISE LIMITED		DONGGUAN UMAXCONN ENTERPRISE LIMITED		DONGGUAN UMAXCONN ENTERPRISE LIMITED		DONGGUAN UMAXCONN ENTERPRISE LIMITED	
Umax		Umax		Umax		Umax	
东莞市友贸实业有限公司		东莞市友贸实业有限公司		东莞市友贸实业有限公司		东莞市友贸实业有限公司	
APPD: Jason		APPD: Jason		APPD: Jason		APPD: Jason	
MATERIAL: Jason		MATERIAL: Jason		MATERIAL: Jason		MATERIAL: Jason	
CHKD: Schumi		CHKD: Schumi		CHKD: Schumi		CHKD: Schumi	
FINISH: Schumi		FINISH: Schumi		FINISH: Schumi		FINISH: Schumi	
DRWN: Lei Songping		DRWN: Lei Songping		DRWN: Lei Songping		DRWN: Lei Songping	
QTY: 0		QTY: 0		QTY: 0		QTY: 0	
REV 0		REV 0		REV 0		REV 0	
ECN NO. ---		ECN NO. ---		ECN NO. ---		ECN NO. ---	
NAME Lei Songping		NAME Lei Songping		NAME Lei Songping		NAME Lei Songping	
DATE Jun,06,2019		DATE Jun,06,2019		DATE Jun,06,2019		DATE Jun,06,2019	
.XXX±		.XXX±		.XXX±		.XXX±	
.XXX±		.XXX±		.XXX±		.XXX±	
CUSTOMER		CUSTOMER		CUSTOMER		CUSTOMER	

1	REV	ECON NO.	NAME	DATE	.XXX±	.XXX±	DRWN: Lei Songping	Q'TY:	7	8	CUSTOMER
0	0	----	Lei Songping	Jun,06,2019	.XX±	.XX±	CHKD: Schumi	FINISH:	6	5	
					.X±	.X±	APPD: Jason	MAT'L:	5	4	
					X.±	X.±	DONGGUAN UMAXCONN ENTERPRISE LIMITED		4	3	
					TOLERANCE		TITLE: MINI PCI EXPRESS 4.0MM HEIGHT		3	2	
					LINEAR		PART NO. 91304-40-052RXXX		2	1	
					ANGLES		DWG NO. C-91304-40		1	0	



X-ON Electronics

Largest Supplier of Electrical and Electronic Components

Click to view similar products for [Standard Card Edge Connectors](#) category:

Click to view products by [UMAX](#) manufacturer:

Other Similar products are found below :

[6565204-6](#) [PKC-156](#) [1437274-4](#) [147889-1](#) [1489165-4](#) [EBT156-12B1X](#) [EBT15622B2X](#) [EBT156-22R2W](#) [1-582587-1](#) [1-582589-1](#) [2-6437275-9](#) [284-0102-12100](#) [306022901000000](#) [307-012-502-202](#) [307-024-526-201](#) [307-056-520-300](#) [307-080-526-208](#) [1926088-2](#) [245-062-520-350](#) [287-0032-12101](#) [306-010-500-112](#) [306-028-525-102](#) [306-240-318](#) [307-036-502-202](#) [307-036-521-301](#) [307-072-526-202](#) [345-060-559-303](#) [368-004-520-201](#) [392-008-559-201](#) [534671-1](#) [5-530501-5](#) [341-240-317](#) [345-029-520-300](#) [345-030-500-301](#) [345-044-500-300](#) [345-220-058](#) [346-240-318](#) [357-030-526-201](#) [387-012-523-300](#) [395-044-520-300](#) [395-100-524-300](#) [50-12B-10](#) [50-6SN-5](#) [09-07-2032](#) [10035388-106LF](#) [10035388-802LF](#) [10115859-011LF](#) [10122859-009LF](#) [101269333204245CLF](#) [10127905-B04B24BLF](#)