

TOLERANCE		X.±0.40		X.±		Umax		DONGGUAN UMAXCONN ENTERPRISE LIMITED		TITLE: MINI PCI EXPRESS 5.6MM HEIGHT	
LINEAR		X.±0.30		X.±		Umax		DONGGUAN UMAXCONN ENTERPRISE LIMITED		PART NO. 91304-56-052RXXX	
ANGLES		X.±0.20		X.±		Umax		DONGGUAN UMAXCONN ENTERPRISE LIMITED		DWG NO. C-91304-56	
X.XX±		X.XX±		X.XX±		Umax		DONGGUAN UMAXCONN ENTERPRISE LIMITED		APPD: Jason	
X.XX±		X.XX±		X.XX±		Umax		DONGGUAN UMAXCONN ENTERPRISE LIMITED		CHKD: Schumi	
X.XX±		X.XX±		X.XX±		Umax		DONGGUAN UMAXCONN ENTERPRISE LIMITED		DRWN: Lei Songping	
X.XX±		X.XX±		X.XX±		Umax		DONGGUAN UMAXCONN ENTERPRISE LIMITED		Q'TY:	
X.XX±		X.XX±		X.XX±		Umax		DONGGUAN UMAXCONN ENTERPRISE LIMITED		FINISH:	
X.XX±		X.XX±		X.XX±		Umax		DONGGUAN UMAXCONN ENTERPRISE LIMITED		MATERIAL:	
X.XX±		X.XX±		X.XX±		Umax		DONGGUAN UMAXCONN ENTERPRISE LIMITED		UNITS	
X.XX±		X.XX±		X.XX±		Umax		DONGGUAN UMAXCONN ENTERPRISE LIMITED		SCALE	
X.XX±		X.XX±		X.XX±		Umax		DONGGUAN UMAXCONN ENTERPRISE LIMITED		SHEET	
X.XX±		X.XX±		X.XX±		Umax		DONGGUAN UMAXCONN ENTERPRISE LIMITED		1 OF 5	
X.XX±		X.XX±		X.XX±		Umax		DONGGUAN UMAXCONN ENTERPRISE LIMITED		8 CUSTOMER	

NOTES:
 1. MATERIAL: HOUSING: THERMOPLASTIC, HIGH TEMP, UL94V-0, BLACK COLOR, CONTACTS: COPPER ALLOY, PEGS: COPPER ALLOY.
 2. FINISH: CONTACTS: SELECTED GOLD PLATING ON THE CONTACT AREA, 1u" MIN. GOLD PLATING ON THE SOLDERTAILS, 50 u" MIN. NICKEL UNDERPLATING OVER ALL. PEGS: 120u" MIN. MATTE-TIN OVER 50u" MIN. NICKEL.
 3. PACKAGING SPECIFICATION: 9130404001
 4. PRODUCT SPECIFICATION: PS-MINI PCI-E-01
 5. DATE CODE: YYYWDD
 YY: YEAR (19: 2019)
 WW: WEEK (25: THE 25TH WEEK)
 DD: (D1~D7: SUNDAY~SATURDAY)

PRODUCT NUMBER CODE

91304 - 56 - 052 R X XX

56: 5.6H HEIGHT
 52 CONTACTS
 R: TAPE & REEL
 PACKAGING OPTIONS
 CONTACT AREA PLATING
 0: 30u" GOLD
 1: 10u" GOLD
 2: GOLD FLASH
 HALOGEN OPTIONS
 BLANK: HALOGEN
 HF: HALOGEN FREE

yy: YEAR (19: 2019)
 ww: WEEK (25: THE 25TH WEEK)
 dd: (D1~D7: SUNDAY~SATURDAY)

3. PACKAGING SPECIFICATION: 9130404001

4. PRODUCT SPECIFICATION: PS-MINI PCI-E-01

5. DATE CODE: YYYWDD

2. FINISH:

CONTACTS: SELECTED GOLD PLATING ON THE CONTACT AREA,
 1u" MIN. GOLD PLATING ON THE SOLDERTAILS,
 50 u" MIN. NICKEL UNDERPLATING OVER ALL.

PEGS: 120u" MIN. MATTE-TIN OVER 50u" MIN. NICKEL.

3. PACKAGING SPECIFICATION: 9130404001

4. PRODUCT SPECIFICATION: PS-MINI PCI-E-01

5. DATE CODE: YYYWDD

YY: YEAR (19: 2019)

WW: WEEK (25: THE 25TH WEEK)

DD: (D1~D7: SUNDAY~SATURDAY)

Umax 东莞市友贸实业有限公司
 DONGGUAN UMAXCONN ENTERPRISE LIMITED

TOLERANCE

LINEAR

ANGLES

X.±.40

X.±

PART NO. 91304-56-052RXXX

TITLE: MINI PCI EXPRESS 5.6MM HEIGHT

APPD: Jason

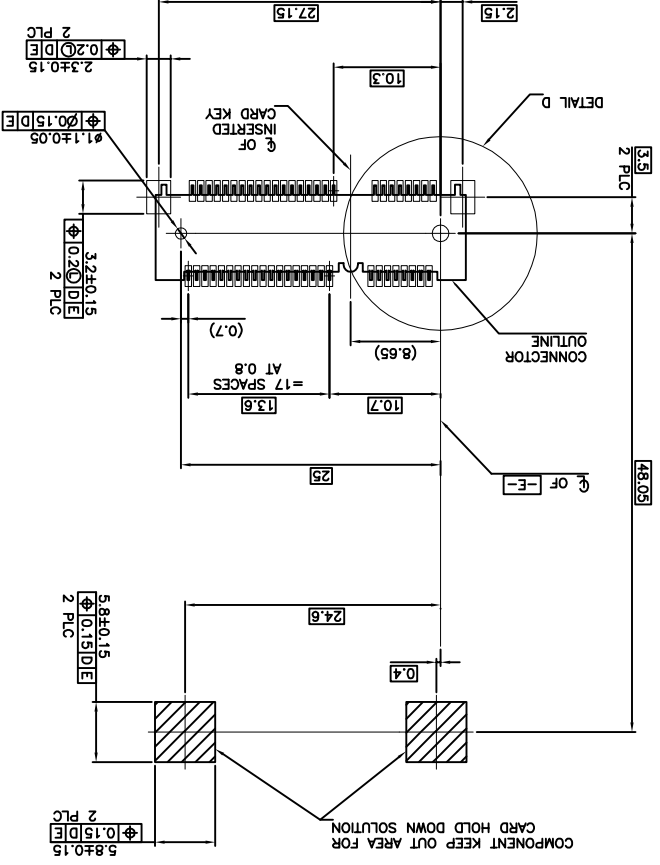
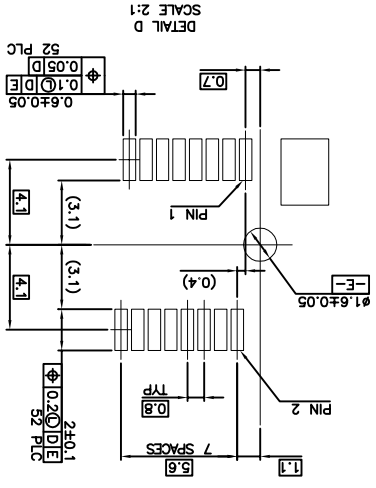
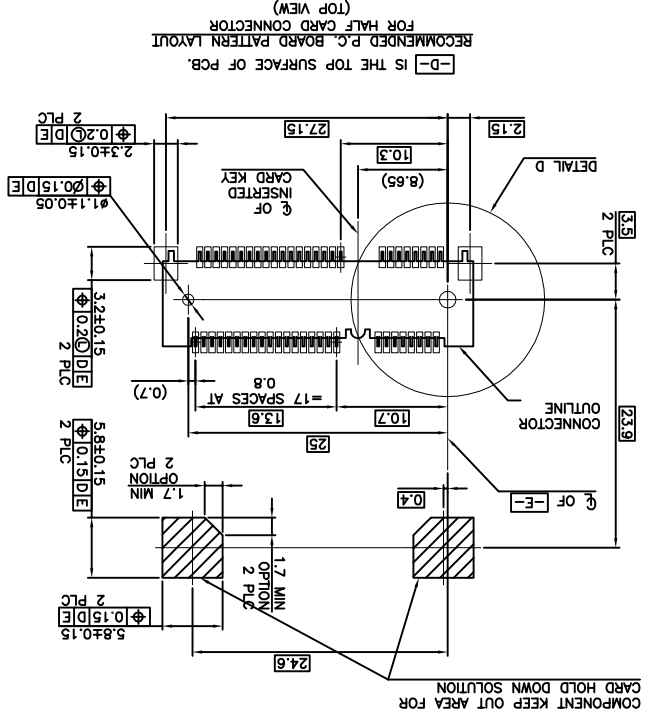
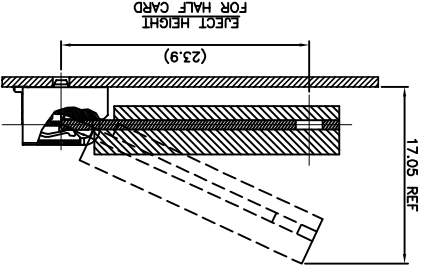
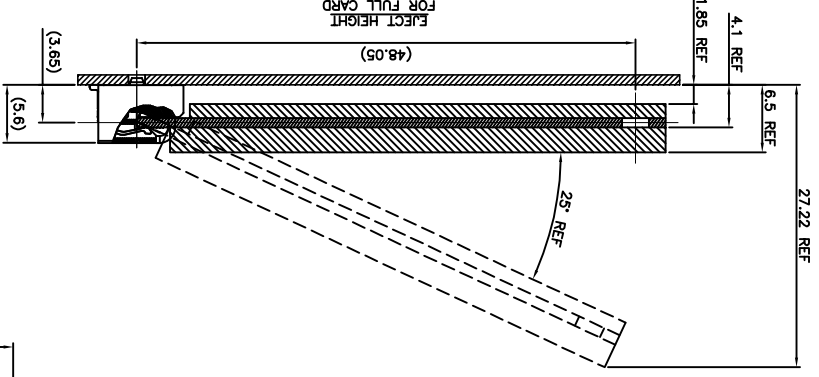
MAT'L:

DWG NO. C-91304-56

REV	ECN NO.	NAME	DATE	.XXX±.15	.XXX±	DRWN: Lei Songping	Q'TY:				
0	----	Lei Songping	Jun,06,2019	.XX±.20	.X±	CHKD: Schumi	FINISH:				
				.X±.30	.X±	APPD: Jason	MAT'L:				
				X.±.40	X.±	PART NO. 91304-56-052RXXX					

REV	ECN NO.	NAME	DATE	.XXX±.15	.XXX±	DRWN: Lei Songping	Q'TY:	MM	1:1	2 OF 5	0
0	----	Lei Songping	Jun,06,2019	.XX±.20	.X±	CHKD: Schumi	FINISH:	UNITS	SCALE	SHEET	REV
				.X±.30	.X±	APPD: Jason	MAT'L:				
				X.±.40	X.±	PART NO. 91304-56-052RXXX					

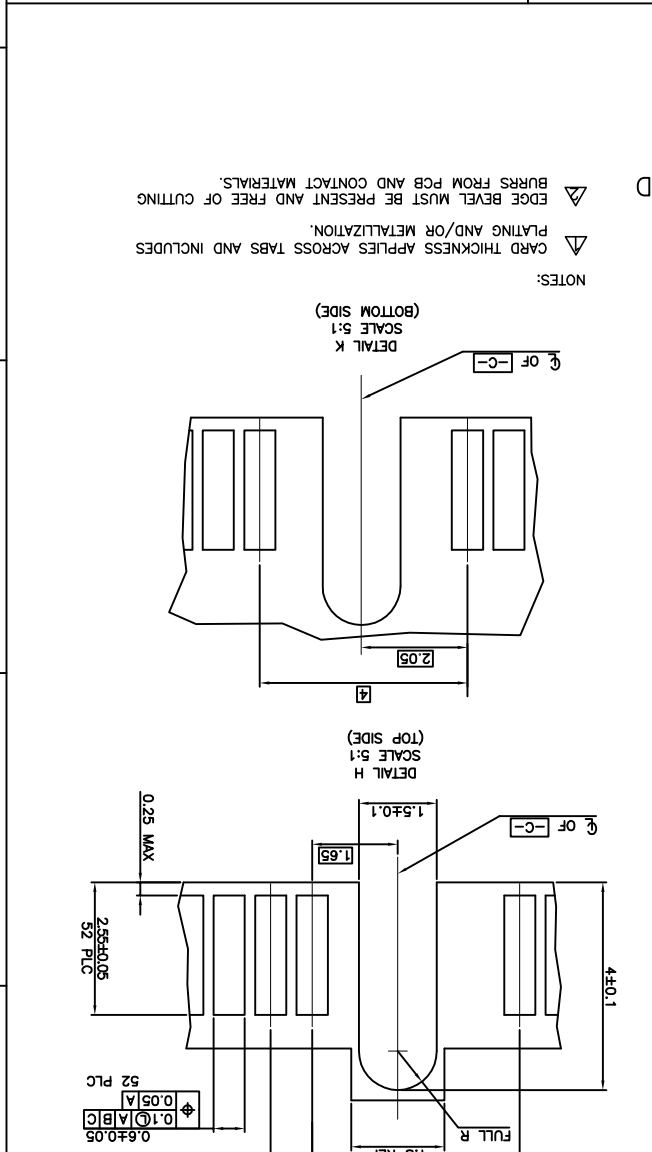
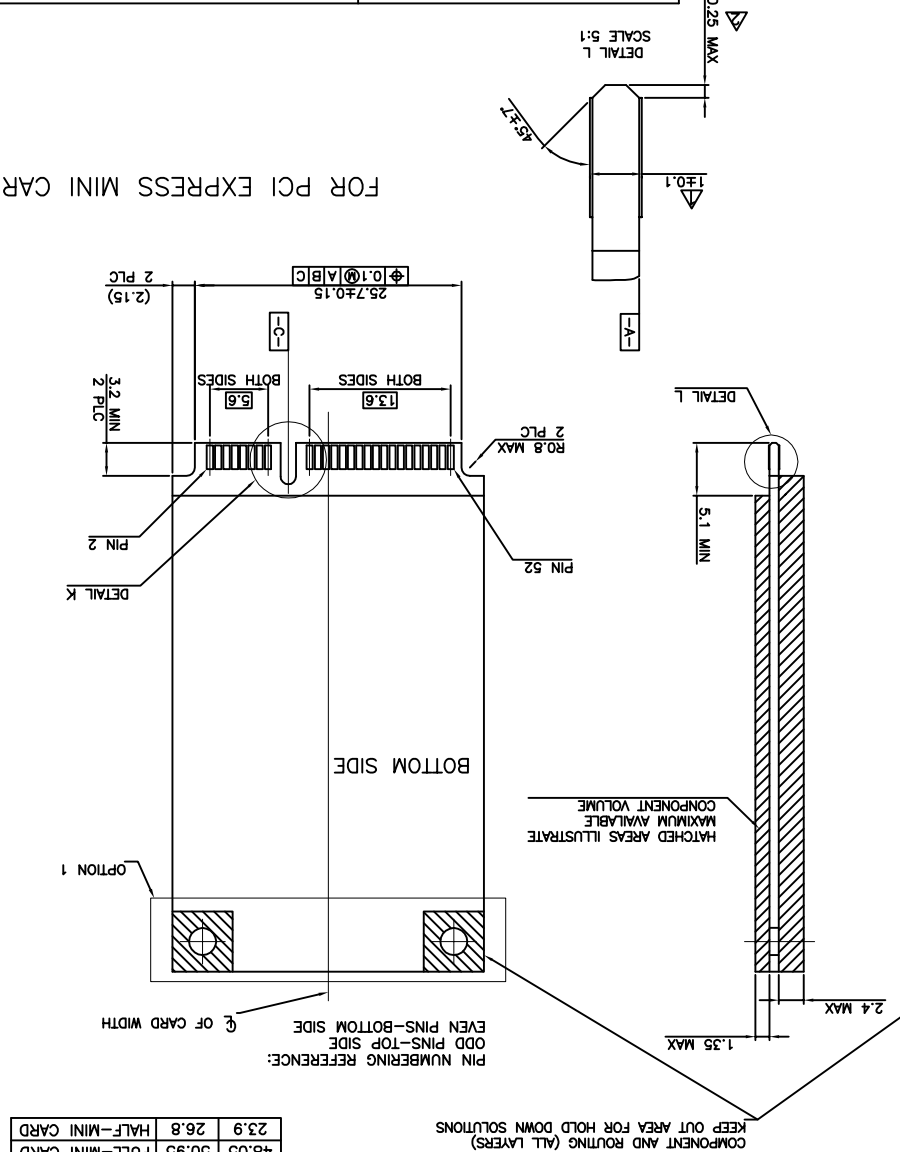
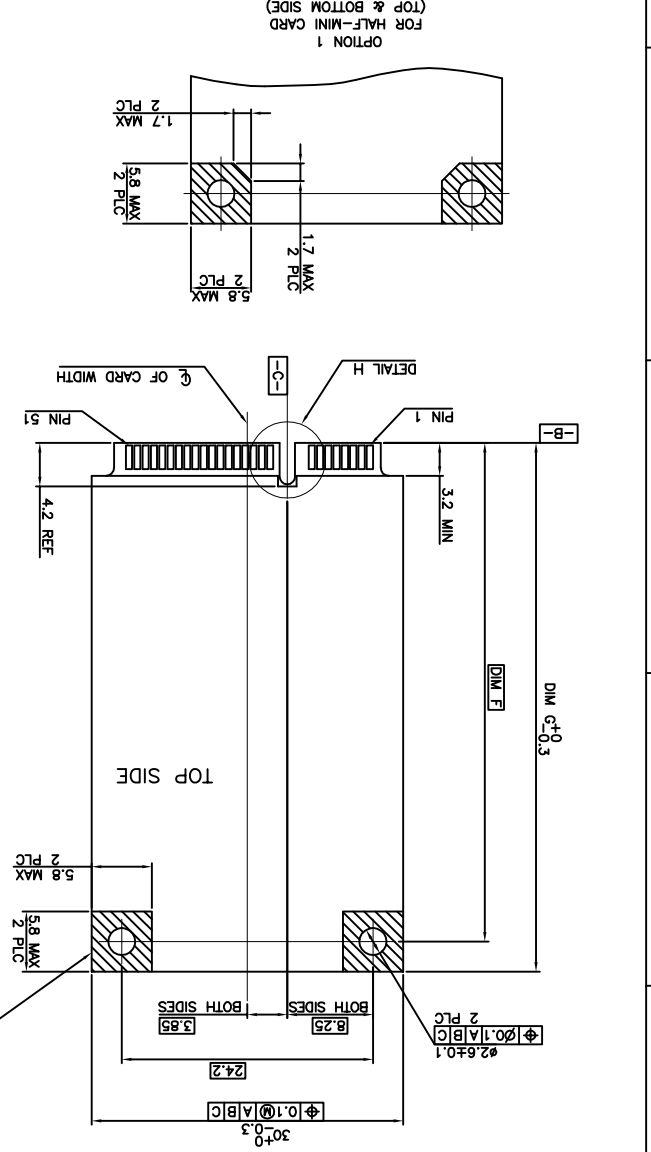
REV		ECN NO.	NAME	DATE	.XXX±	.XXX±	DRWN: Lei Songping	Q'TY:			7		
0		----	Lei Songping	Jun,06,2019	.XX±	.XX±	CHKD: Schumi	FINISH:			MM		
					.X±	.X±	APPD: Jason	MAT'L:			DWG NO. C-91304-56		
					X.±	X.±	Umax 东莞市外贸实业有限公司 DONGGUAN UMAXCONN ENTERPRISE LIMITED			PART NO. 91304-56-052RXXX			
					TOLERANCE		TITLE: MINI PCI EXPRESS 5.6MM HEIGHT						



[-D-] IS THE TOP SURFACE OF PCB
RECOMMENDED P.C. BOARD PATTERN LAYOUT
FOR FULL CARD CONNECTOR
(TOP VIEW)

[-D-] IS THE TOP SURFACE OF PCB
RECOMMENDED P.C. BOARD PATTERN LAYOUT
FOR HALF CARD CONNECTOR
(TOP VIEW)

1	REV	ECCN NO.	NAME	DATE	.XXX±	.XXX±	DRWN: Lei Songping	Q'TY:	7	8	CUSTOMER
0	---	---	Lei Songping	Jun,06,2019	.XX±	.XX±	CHKD: Schumi	FINISH:	6	4	
					.X±	.X±	APPD: Jason	MAT'L:	5	3	
					X.±	X.±	DONGGUAN UMAXCONN ENTERPRISE LIMITED		4	2	
					TOLERANCE		TITLE: MINI PCI EXPRESS 5.6MM HEIGHT		3	1	
					LINEAR		PART NO. 91304-56-052RXXX		2	0	
					ANGLES		DWG NO. C-91304-56		1	REV	



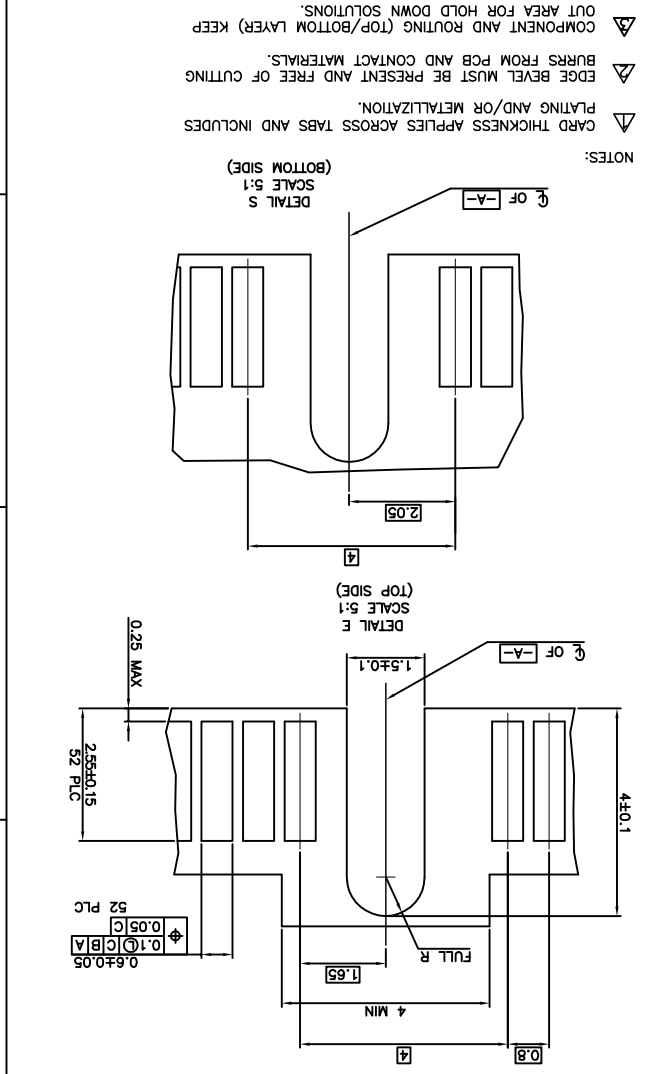
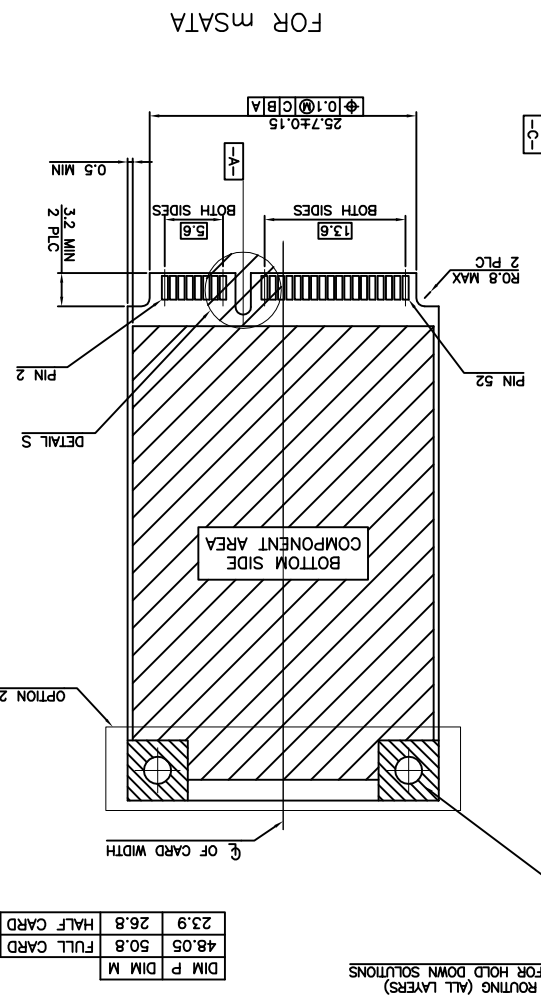
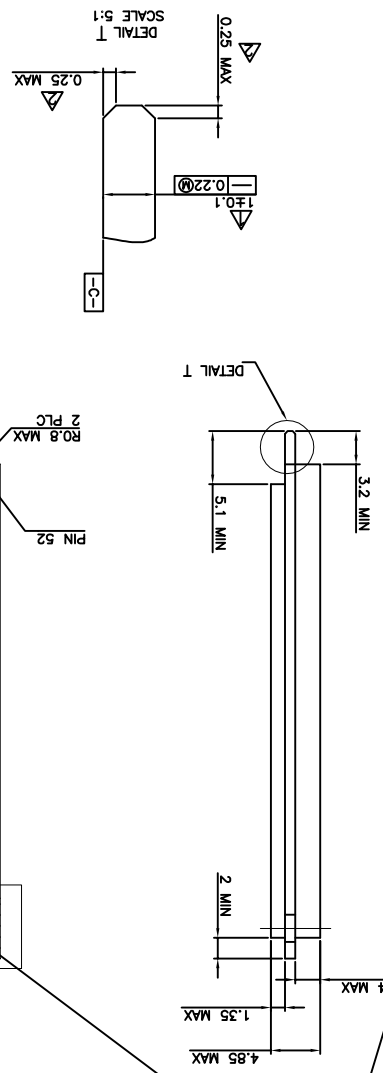
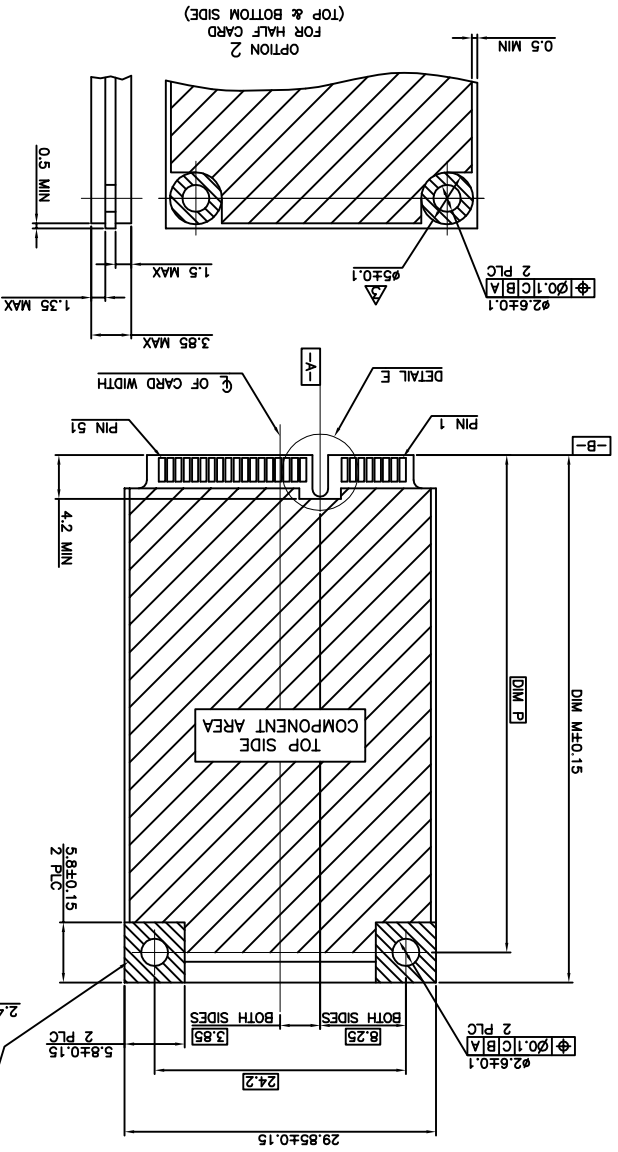
COMPONENT AND ROUTING (ALL LAYERS)
KEEP OUT AREA FOR HOLD DOWN SOLUTIONS

DIM F	DIM G	48.05	50.95
FULL-MINI CARD	FULL-MINI CARD	26.8	23.9
HALF-MINI CARD	HALF-MINI CARD		

NOTES:

- ▽ CARD THICKNESS APPLIES ACROSS TABS AND INCLUDES PLATING AND/OR METALLIZATION.
- ▽ EDGE BEVEL MUST BE PRESENT AND FREE OF CUTTING BURRS FROM PCB AND CONTACT MATERIALS.

REV	ECN NO.	NAME	DATE	XXX±	XXX±	DRWN: Lei Songping	Q'TY:	7	6	5	4	3	2	1	8	CUSTOMER
				0	---	Lei Songping										
			APPD: Jason			MATERIAL:		DWC NO. C-91304-56		E						
			X.±			X.±		PART NO. 91304-56-052RXXX		E						
			LINEAR			ANGLES		TITLE: MINI PCI EXPRESS 5.6MM HEIGHT		E						
			TOLERANCE			DONGGUAN UMAXCONN ENTERPRISE LIMITED				E						



X-ON Electronics

Largest Supplier of Electrical and Electronic Components

Click to view similar products for [Standard Card Edge Connectors](#) category:

Click to view products by [UMAX](#) manufacturer:

Other Similar products are found below :

[6565204-6](#) [PKC-156](#) [1437274-4](#) [147889-1](#) [1489165-4](#) [EBT156-12B1X](#) [EBT15622B2X](#) [EBT156-22R2W](#) [1-582587-1](#) [1-582589-1](#) [2-6437275-9](#) [284-0102-12100](#) [306022901000000](#) [307-012-502-202](#) [307-024-526-201](#) [307-056-520-300](#) [307-080-526-208](#) [1926088-2](#) [245-062-520-350](#) [287-0032-12101](#) [306-010-500-112](#) [306-028-525-102](#) [306-240-318](#) [307-036-502-202](#) [307-036-521-301](#) [307-072-526-202](#) [345-060-559-303](#) [368-004-520-201](#) [392-008-559-201](#) [534671-1](#) [5-530501-5](#) [341-240-317](#) [345-029-520-300](#) [345-030-500-301](#) [345-044-500-300](#) [345-220-058](#) [346-240-318](#) [357-030-526-201](#) [387-012-523-300](#) [395-044-520-300](#) [395-100-524-300](#) [50-12B-10](#) [50-6SN-5](#) [09-07-2032](#) [10035388-106LF](#) [10035388-802LF](#) [10115859-011LF](#) [10122859-009LF](#) [101269333204245CLF](#) [10127905-B04B24BLF](#)