

| | | | | | | | | | | | | |
|-----|--|----------|--------------|-------------|-----------|--------|---|---------|-------|--|--------|------------|
| REV | | ECON NO. | NAME | DATE | .XXX±.15 | .XXX± | DRWN: Lei Songping | Q'TY: | 7 | | | 8 CUSTOMER |
| 0 | | ---- | Lei Songping | Jun,06,2019 | .XX±0.20 | .XX± | CHKD: Schumi | FINISH: | 6 | | | |
| | | | | | .X±0.30 | .X± | APPD: Jason | MAT'L: | 5 | | | |
| | | | | | X.±0.40 | X.± | Umax 东莞市外贸实业有限公司 conn DONGGUAN UMAXCONN ENTERPRISE LIMITED | | 4 | | | |
| | | | | | LINEAR | ANGLES | | | 3 | | | |
| | | | | | TOLERANCE | | TITLE: MINI PCI EXPRESS 6.8MM HEIGHT | | 2 | | | |
| | | | | | | | PART NO. 91304-68-052RXXX | | 1 | | | |
| | | | | | | | DWG NO. C-91304-68 | | 0 | | | |
| | | | | | | | UNITS | | 1 : 1 | | 1 OF 5 | REV |
| | | | | | | | SCALE | | SHEET | | | |
| | | | | | | | MM | | | | | |
| | | | | | | | Q'TY: | | | | | |

NOTES:
 1. MATERIAL: HOUSING: THERMOPLASTIC, HIGH TEMP, UL94V-0, BLACK COLOR,
 CONTACTS: COPPER ALLOY.
 PEGS: COPPER ALLOY.

2. FINISH:
 CONTACTS: SELECTED GOLD PLATING ON THE CONTACT AREA,
 1u" MIN. GOLD PLATING ON THE SOLDERTAILS,
 50 u" MIN. NICKEL UNDERPLATING OVER ALL.
 PEGS: 120u" MIN. MATTE-TIN OVER 50u" MIN. NICKEL.

3. PACKAGING SPECIFICATION: 9130404001

4. PRODUCT SPECIFICATION: PS-MINI PCI-E-01

5. DATE CODE: YYYWDD

YY: YEAR (19: 2019)
 WW: WEEK (25: THE 25TH WEEK)
 DD: (D1~D7: SUNDAY~SATURDAY)

PRODUCT NUMBER CODE

91304 - 68 - 052 R X XX

68: 6.8H HEIGHT

52 CONTACTS

PACKAGING OPTIONS
 R: TAPE & REEL

CONTACT AREA PLATING

HALOGEN OPTIONS

BLANK: HALOGEN

HF: HALOGEN FREE

0: 30u" GOLD

1: 10u" GOLD

2: GOLD FLASH

Umax 东莞市友贸实业有限公司
 DONGGUAN UMAXCONN ENTERPRISE LIMITED

TOLERANCE

LINEAR ANGLES

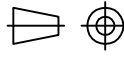
X.±

PART NO. 91304-68-052RXXX

APPD: Jason MAT'L:

CHKD: Schumi FINISH:

DRWN: Lei Songping Q'TY:



UNITS: MM

SCALE: 1:1

SHEET: 2 OF 5

REV: 0

1 2 3 4 5 6 7 8

A

B

C

D

E

8

7

6

5

4

3

2

1

8

7

6

5

4

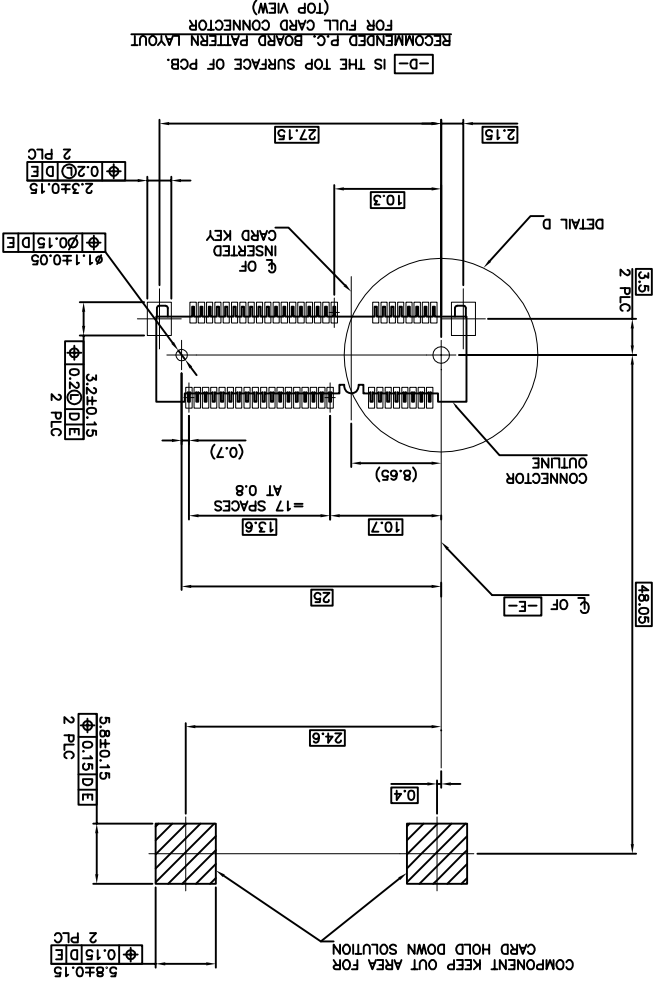
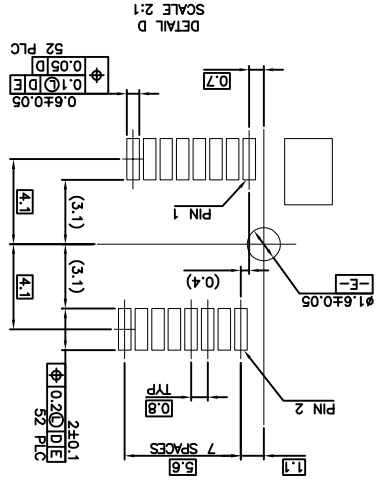
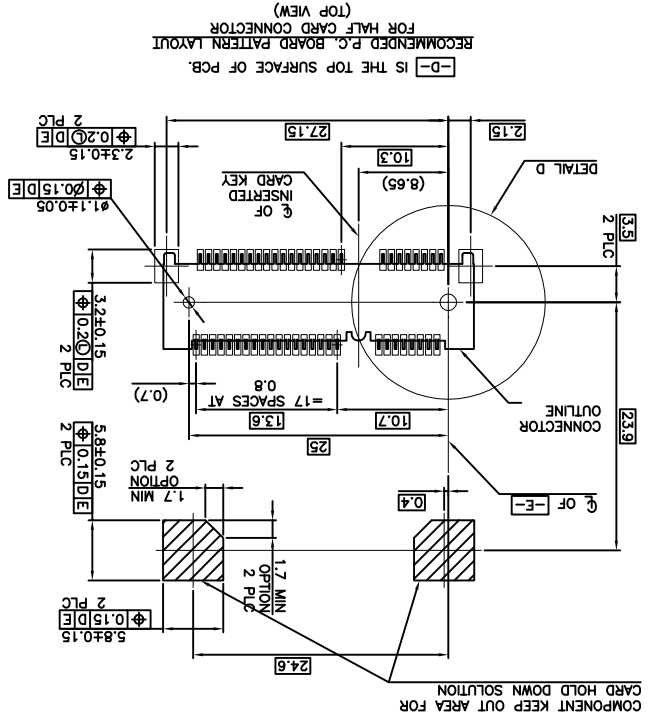
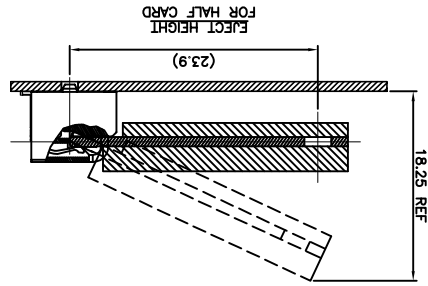
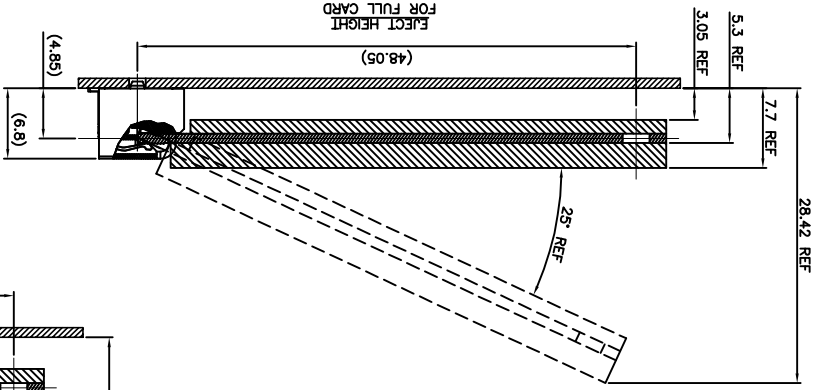
3

2

1

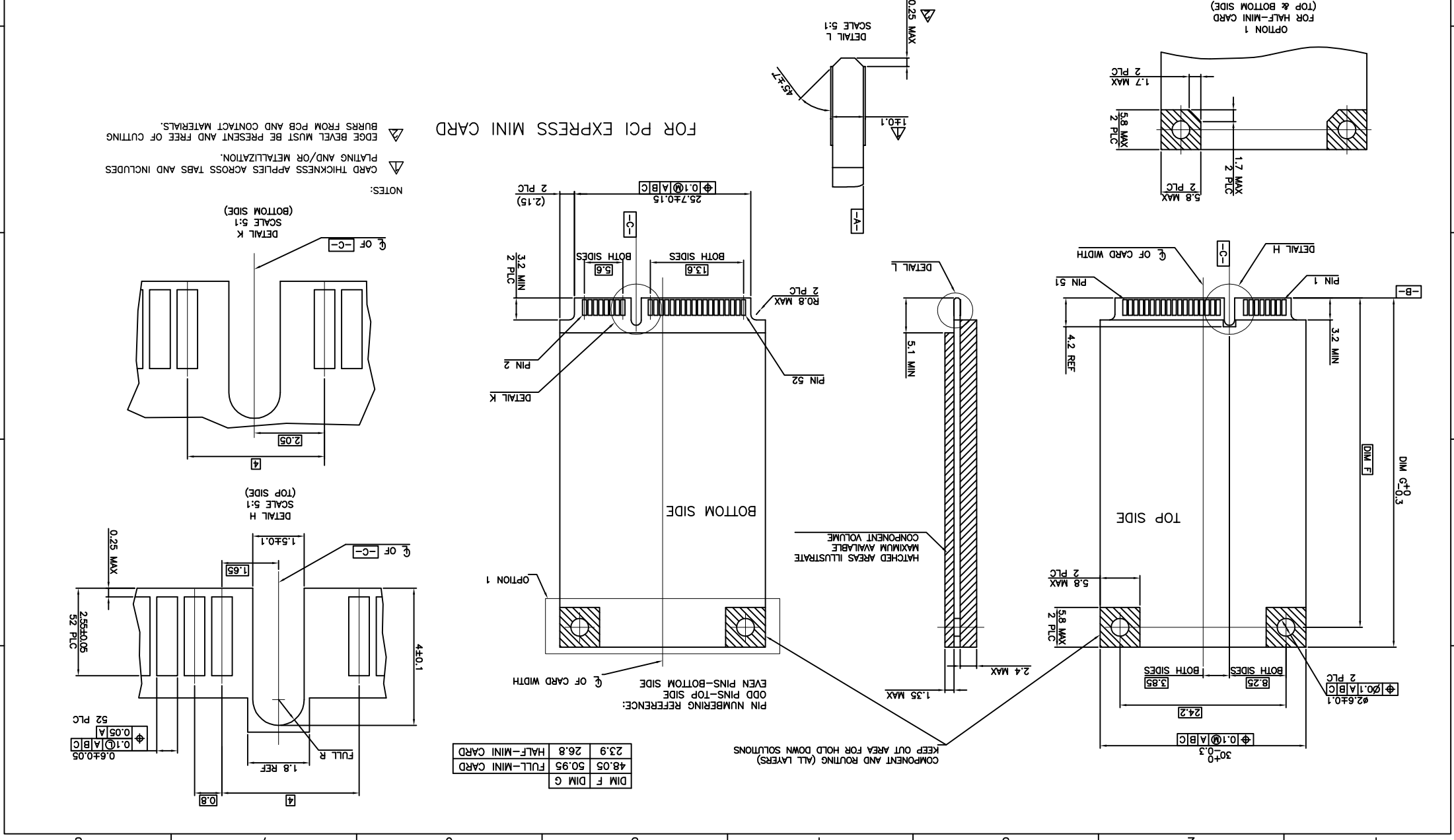
CUSTOMER

| | | | | | | | | | | | | | | | | | |
|--------------------------------------|--|---------------------------|--|--------------------|--|--------------|--|--------------------|--|-------------|--|--------------|--|---------|--|-----|--|
| TOLERANCE | | X.± | | X.± | | X.XX± | | X.XX± | | DATE | | NAME | | ECN NO. | | REV | |
| LINEAR | | X.± | | X.± | | X.XX± | | X.XX± | | Jun,06,2019 | | Lei Songping | | --- | | 0 | |
| ANGLES | | X.± | | X.± | | X.XX± | | X.XX± | | | | | | | | | |
| DONGGUAN UMAXCONN ENTERPRISE LIMITED | | APPD: Jason | | MATERIAL: Jason | | CHKD: Schumi | | DRWN: Lei Songping | | | | | | | | | |
| TITLE: MINI PCI EXPRESS 6.8MM HEIGHT | | PART NO. 91304-68-052RXXX | | DWG NO. C-91304-68 | | | | | | | | | | | | | |
| | | | | | | | | | | | | | | | | | |

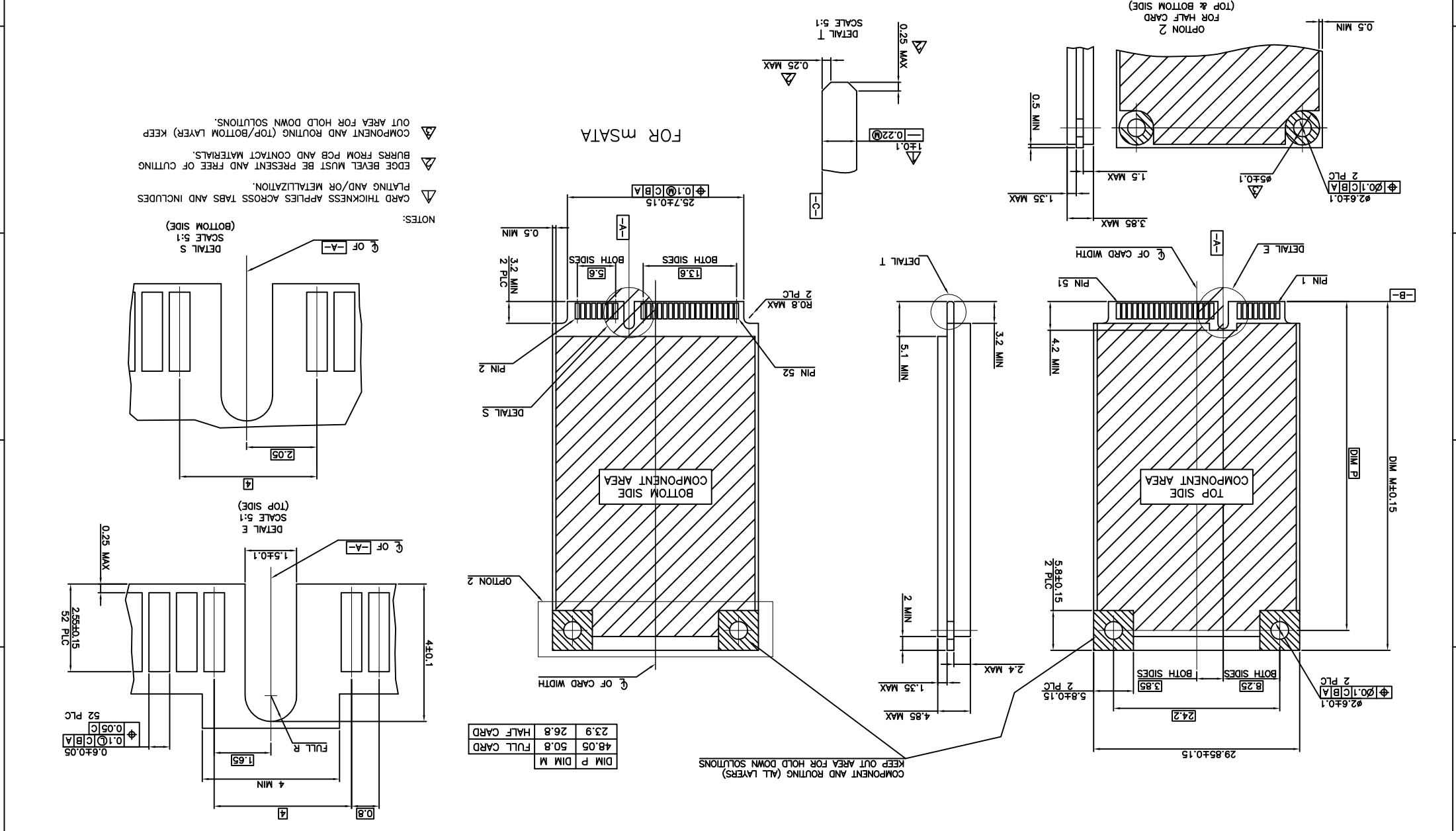


| | | | | | | | |
|----------|---|---|---|---|---|---|---|
| 8 | 7 | 6 | 5 | 4 | 3 | 2 | 1 |
| CUSTOMER | | | | | | | |

| | | | | | | | | | | | |
|---|--------------------------------------|---------|--------------|-------------|-------------|-------|--------------------------------------|---------|---|--------|----------|
| 1 | REV | ECC NO. | NAME | DATE | .XXX± | .XXX± | DRWN: Lei Songping | Q'TY: | 7 | 8 | CUSTOMER |
| 2 | 0 | ---- | Lei Songping | Jun,06,2019 | .XX± | .XX± | CHKD: Schumi | FINISH: | 6 | 4 OF 5 | |
| 3 | | | | | .X± | .X± | APPD: Jason | MAT'L: | 5 | SCALE | |
| 4 | | | | | X.± | X.± | PART NO. 91304-68-052RXXX | | 4 | SHEET | |
| 5 | TOLERANCE | | LINEAR | | ANGLES | | TITLE: MINI PCI EXPRESS 6.8MM HEIGHT | | 3 | REV | |
| 6 | DONGGUAN UMAXCONN ENTERPRISE LIMITED | | Umax | | 东莞市外贸实业有限公司 | | DWG NO. C-91304-68 | | 2 | | |



| | | | | | | | | | | | |
|---|-----------|---------|-------------------------------|-------------|--------------------|-------|--|---------|---|-----|----------|
| 1 | REV | ECN NO. | NAME | DATE | .XXX± | .XXX± | DRWN: Lei Songping | Q'TY: | 7 | 8 | CUSTOMER |
| 2 | 0 | ---- | Lei Songping | Jun,06,2019 | .XX± | .XX± | CHKD: Schumi | FINISH: | 6 | 5 | |
| 3 | | | | | .X± | .X± | APPD: Jason | MAT'L: | 5 | 4 | |
| 4 | | | | | X.± | X.± | Umax 东莞市外贸实业有限公司 DONGGUAN UMAXCONN ENTERPRISE LIMITED | | 4 | 3 | |
| 5 | TOLERANCE | | LINEAR | | ANGLES | | PART NO. 91304-68-052RXXX | | 3 | 2 | |
| 6 | TITLE: | | MINI PCI EXPRESS 6.8MM HEIGHT | | DWG NO. C-91304-68 | | UNITS | | 2 | 1 | |
| 7 | | | | | | | | MM | 1 | 5 | 5 OF 5 |
| 8 | | | | | | | | | 0 | REV | REV |



X-ON Electronics

Largest Supplier of Electrical and Electronic Components

Click to view similar products for [Standard Card Edge Connectors](#) category:

Click to view products by [UMAX](#) manufacturer:

Other Similar products are found below :

[6565204-6](#) [PKC-156](#) [1437274-4](#) [147889-1](#) [1489165-4](#) [EBT156-12B1X](#) [EBT15622B2X](#) [EBT156-22R2W](#) [1-582587-1](#) [1-582589-1](#) [2-6437275-9](#) [284-0102-12100](#) [306022901000000](#) [307-012-502-202](#) [307-024-526-201](#) [307-056-520-300](#) [307-080-526-208](#) [1926088-2](#) [245-062-520-350](#) [287-0032-12101](#) [306-010-500-112](#) [306-028-525-102](#) [306-240-318](#) [307-036-502-202](#) [307-036-521-301](#) [307-072-526-202](#) [345-060-559-303](#) [368-004-520-201](#) [392-008-559-201](#) [534671-1](#) [5-530501-5](#) [341-240-317](#) [345-029-520-300](#) [345-030-500-301](#) [345-044-500-300](#) [345-220-058](#) [346-240-318](#) [357-030-526-201](#) [387-012-523-300](#) [395-044-520-300](#) [395-100-524-300](#) [50-12B-10](#) [50-6SN-5](#) [09-07-2032](#) [10035388-106LF](#) [10035388-802LF](#) [10115859-011LF](#) [10122859-009LF](#) [101269333204245CLF](#) [10127905-B04B24BLF](#)