

TOLERANCE		LINEAR		X.±0.40		X.±		APPD: Jason		MATERIAL:		DWG NO. C-91304-80	
ANGLES		X.±		X.±		X.±		CHKD: Schumi		FINISH:		PART NO. 91304-80-052RXXX	
TITLE: MINI PCI EXPRESS 8.0MM HEIGHT		DONGGUAN UMAXCONN ENTERPRISE LIMITED		Umax		conn		DRWN: Lei Songping		Q'TY:		PRT NO. 91304-80	
REV		ECN NO.		NAME		DATE		.XXX±		.XXX±0.15		.XXX±	
0		----		Lei Songping		Jun,06,2019		X.±		X.±0.20		X.±0.30	
8 CUSTOMER		1 OF 5		1 : 1		SCALE		SHEET		REVISION		0	

NOTES:
 1. MATERIAL: HOUSING: THERMOPLASTIC, HIGH TEMP, UL94V-0, BLACK COLOR,
 CONTACTS: COPPER ALLOY.
 PEGS: COPPER ALLOY.

2. FINISH:
 CONTACTS: SELECTED GOLD PLATING ON THE CONTACT AREA,
 1u" MIN. GOLD PLATING ON THE SOLDERTAILS,
 50 u" MIN. NICKEL UNDERPLATING OVER ALL.
 PEGS: 120u" MIN. MATTE-TIN OVER 50u" MIN. NICKEL.

3. PACKAGING SPECIFICATION: 9130404001

4. PRODUCT SPECIFICATION: PS-MINI PCI-E-01

5. DATE CODE: YYYWDD

YY: YEAR (19: 2019)
 WW: WEEK (25: THE 25TH WEEK)
 DD: (D1~D7: SUNDAY~SATURDAY)

PRODUCT NUMBER CODE

91304 - 80 - 052 R X XX

80: 8.0H HEIGHT

52 CONTACTS

PACKAGING OPTIONS
 R: TAPE & REEL

CONTACT AREA PLATING

HALOGEN OPTIONS

BLANK: HALOGEN

HF: HALOGEN FREE

0: 30u" GOLD

1: 10u" GOLD

2: GOLD FLASH

UMax 东莞市友贸实业有限公司
 DONGGUAN UMAXCONN ENTERPRISE LIMITED

TOLERANCE

LINEAR ANGLES

X.±

PART NO. 91304-80-052RXXX

DWG NO. C-91304-80

X.±

APPD: Jason

MAT'L:

X.±

CHKD: Schumi

FINISH:

REV

0

ECN NO.

NAME

Lei Songping

DATE

Jun,06,2019

.XXX±0.15

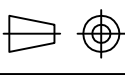
.XX±

.XXX±

.XX±

DRWN: Lei Songping

Q'TY:



MM

1 : 1

2 OF 5

REV

SHEET

REV

8

7

6

5

4

3

2

1

8

7

6

5

4

3

2

1

A

A

C

C

D

D

E

E

8

7

6

5

4

3

2

1

8

7

6

5

4

3

2

1

8

7

6

5

4

3

2

1

8

7

6

5

4

3

2

1

8

7

6

5

4

3

2

1

8

7

6

5

4

3

2

1

8

7

6

5

4

3

2

1

8

7

6

5

4

3

2

1

8

7

6

5

4

3

2

1

8

7

6

5

4

3

2

1

8

7

6

5

4

3

2

1

8

7

6

5

4

3

2

1

8

7

6

5

4

3

2

1

8

7

6

5

4

3

2

1

8

7

6

5

4

3

2

1

8

7

6

5

4

3

2

1

8

7

6

5

4

3

2

1

8

7

6

5

4

3

2

1

8

7

6

5

4

3

2

1

8

7

6

5

4

3

2

1

8

7

6

5

4

3

2

1

8

7

6

5

4

3

2

1

8

7

6

5

4

3

2

1

8

7

6

5

4

3

2

1

8

7

6

5

4

3

2

1

8

7

6

5

4

3

2

1

8

7

6

5

4

3

2

1

8

7

6

5

4

3

2

1

8

7

6

5

4

3

2

1

8

7

6

5

4

3

2

1

8

7

6

5

4

3

2

1

8

7

6

5

4

3

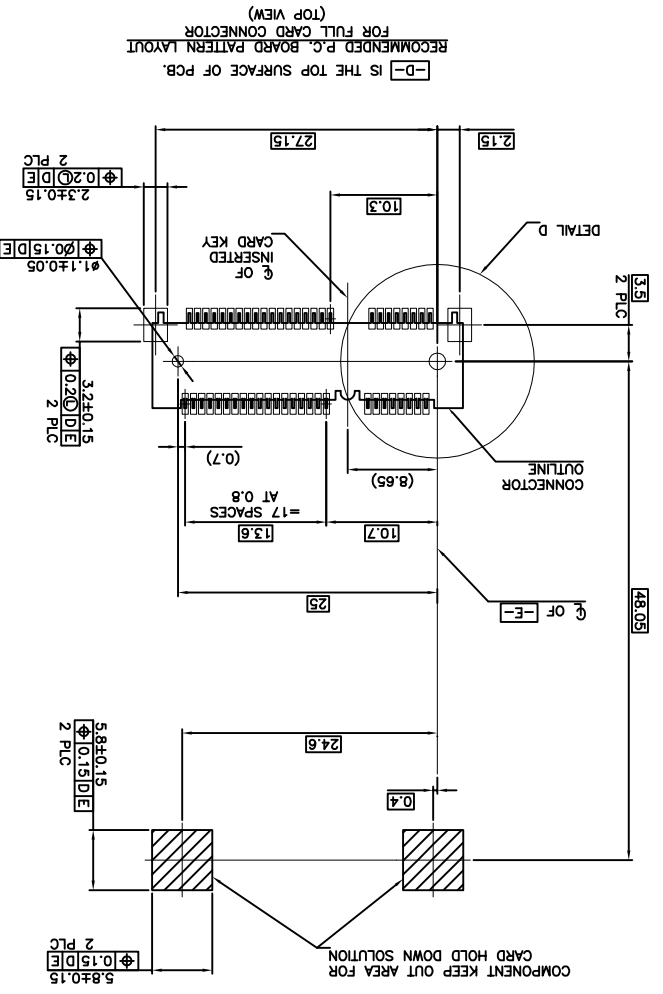
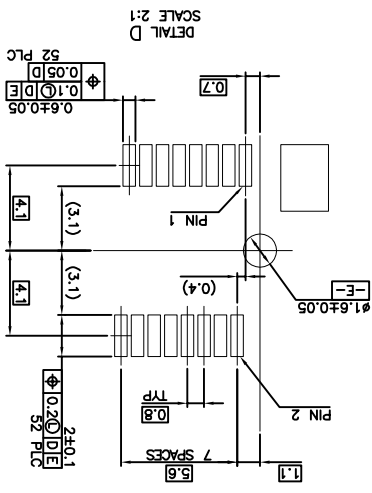
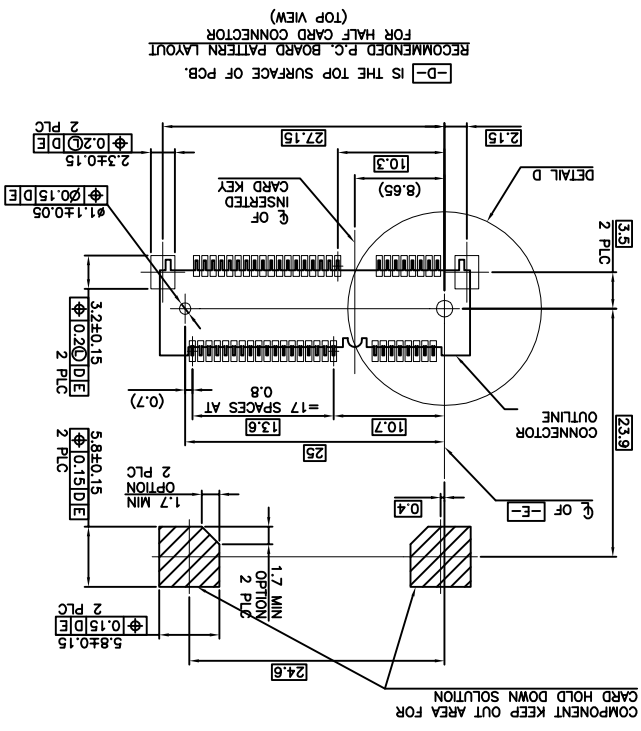
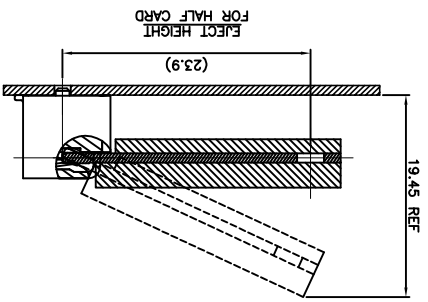
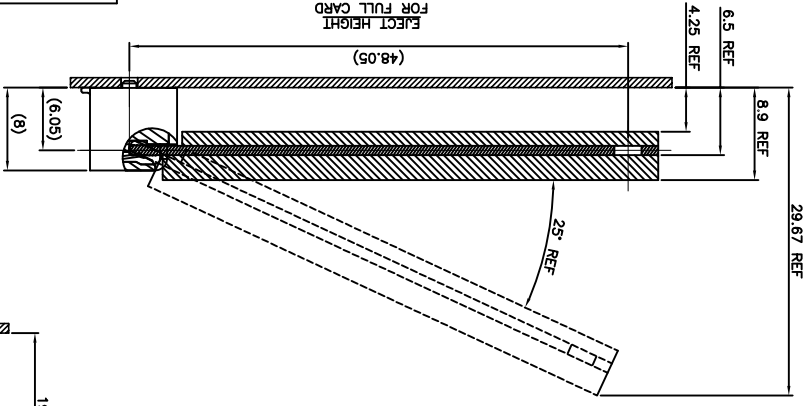
2

1

8

7

1	REV	ECN NO.	NAME	DATE	.XXX±	.XXX±	DRWN: Lei Songping	Q'TY:	7	8	CUSTOMER
2	0	----	Lei Songping	Jun,06,2019	.XX±	.XX±	CHKD: Schumi	FINISH:	6	3 OF 5	REV
3					.X±	.X±	APPD: Jason	MAT'L:	5	SHEET	REV
4					X.±	X.±	PRT NO. 91304-80-052RXXX		4		
5	TOLERANCE		LINEAR		ANGLES		TITLE: MINI PCI EXPRESS 8.0MM HEIGHT		3		
6	DONGGUAN UMAXCONN ENTERPRISE LIMITED		Umax		conn		PART NO. 91304-80-052RXXX		2		
7	DONGGUAN UMAXCONN ENTERPRISE LIMITED		Umax		conn		DWG NO. C-91304-80		1	SCALE	SHEET
8	DONGGUAN UMAXCONN ENTERPRISE LIMITED		Umax		conn		MM		1 : 1	3 OF 5	0



-D- IS THE TOP SURFACE OF PCB
RECOMMENDED P.C. BOARD PATTERN LAYOUT
FOR FULL CARD CONNECTOR
(TOP VIEW)

-D- IS THE TOP SURFACE OF PCB
RECOMMENDED P.C. BOARD PATTERN LAYOUT
FOR HALF CARD CONNECTOR
(TOP VIEW)

FOR HALF CARD
EJECT HEIGHT
(23.9)

FOR FULL CARD
EJECT HEIGHT
(48.05)

X-ON Electronics

Largest Supplier of Electrical and Electronic Components

Click to view similar products for [Standard Card Edge Connectors](#) category:

Click to view products by [UMAX](#) manufacturer:

Other Similar products are found below :

[6565204-6](#) [PKC-156](#) [1437274-4](#) [147889-1](#) [1489165-4](#) [EBT156-12B1X](#) [EBT15622B2X](#) [EBT156-22R2W](#) [1-582587-1](#) [1-582589-1](#) [2-6437275-9](#) [284-0102-12100](#) [306022901000000](#) [307-012-502-202](#) [307-024-526-201](#) [307-056-520-300](#) [307-080-526-208](#) [1926088-2](#) [245-062-520-350](#) [287-0032-12101](#) [306-010-500-112](#) [306-028-525-102](#) [306-240-318](#) [307-036-502-202](#) [307-036-521-301](#) [307-072-526-202](#) [345-060-559-303](#) [368-004-520-201](#) [392-008-559-201](#) [534671-1](#) [5-530501-5](#) [341-240-317](#) [345-029-520-300](#) [345-030-500-301](#) [345-044-500-300](#) [345-220-058](#) [346-240-318](#) [357-030-526-201](#) [387-012-523-300](#) [395-044-520-300](#) [395-100-524-300](#) [50-12B-10](#) [50-6SN-5](#) [09-07-2032](#) [10035388-106LF](#) [10035388-802LF](#) [10115859-011LF](#) [10122859-009LF](#) [101269333204245CLF](#) [10127905-B04B24BLF](#)