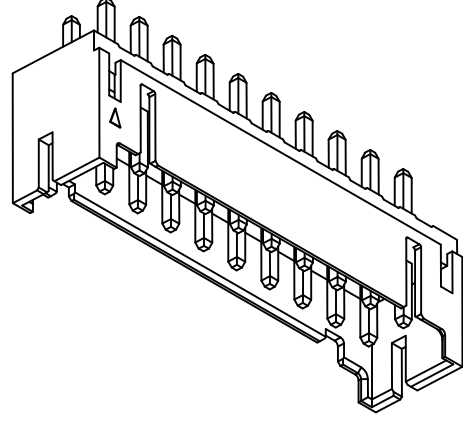


- Specifications :**
- Voltage rating: 250V AC / DC
  - Current rating: 3A AC / DC
  - Withstanding voltage: 800V AC/minute
  - Temperature range: -25°C~+85°C
  - Insulation resistance: ≥1000MΩ
  - Contact resistance: ≤10mΩ
  - After environmental testing: ≤20mΩ



X2026 W V X-2\*XX X -N0 XXX XX

- Series No.
- Category: W-WAFER
- Welding Board Angle: V-Straight 180°
- Welding Way: Blank-DIP
- Row No.-Pin No.: 2\*XX-2\*02P~2\*22P
- Plug the Pin & Special No.: HF-Halogen Free
- Material: N0-PA66 94V-0
- Plating Category: SN-Bright Tin Plating;
- V01-Gold Flash
- Color : Blank-Natural Color ; BK-Black;WH-White

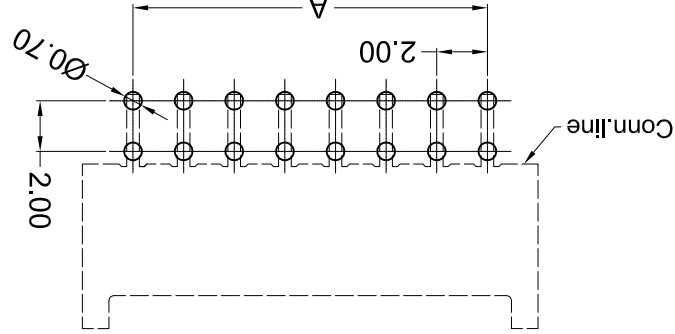
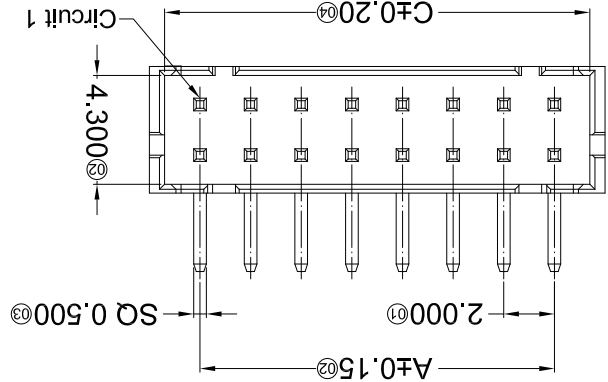
Poles	Dimensions (mm)			Poles	Dimensions (mm)					
	A	B	C		A	B	C			
2*02	2.00	6.00	2*09	16.00	20.00	18.80	2*16	30.00	34.00	32.80
2*03	4.00	8.00	2*10	18.00	22.00	20.80	2*17	32.00	36.00	34.80
2*04	6.00	10.00	8.80	2*11	20.00	24.00	22.80	2*18	34.00	38.00
2*05	8.00	12.00	10.80	2*12	22.00	26.00	24.80	2*19	36.00	38.80
2*06	10.00	14.00	12.80	2*13	24.00	28.00	26.80	2*20	38.00	40.80
2*07	12.00	16.00	14.80	2*14	26.00	30.00	28.80	2*21	40.00	42.80
2*08	14.00	18.00	16.80	2*15	28.00	32.00	30.80	2*22	42.00	44.80

PART NO	Material	Material (Pn)		PART NO	Material	Material (Pn)	
		Thi-Plated	Gold-Flash			Thi-Plated	Thi-Plated
X2026WV-2*XX-N0SMBK (Halogen Free)	PA66 UL 94V-0 Black	Thi-Plated		X2026WV-2*XX-N0SMBK (Halogen Free)	PA66 UL 94V-0 Black	Thi-Plated	
X2026WV-2*XX-N0SMMWH	PA66 UL 94V-0 White	Thi-Plated		X2026WV-2*XX-N0SMMWH	PA66 UL 94V-0 White	Thi-Plated	
X2026WV-2*XX-N0V01		Gold-Flash		X2026WV-2*XX-N0V01		Gold-Flash	
X2026WV-2*XX-N0SN	PA66 UL 94V-0	Thi-Plated		X2026WV-2*XX-N0SN	PA66 UL 94V-0	Thi-Plated	

REVISIONS		UNSPECIFIED TOLERANCES		REVISIONS		UNSPECIFIED TOLERANCES	
MARK	DESCRIPTION	DATE	APPROVED	DATE	APPROVED	DATE	APPROVED
△ X				L > 63		L > 63	±0.5
△ X				16 < L ≤ 63		16 < L ≤ 63	±0.4
△ X				4 < L ≤ 16		4 < L ≤ 16	±0.3
△ X				L ≤ 4		L ≤ 4	±0.2
				ANGULAR		ANGULAR	±5°

DSND	DATE	SCALE: N/A	MODEL TYPE: X2026WV-2*XX-N0XXXX
CHKD <th>DATE</th> <th>UNIT: mm</th> <th>DWG NO.:</th>	DATE	UNIT: mm	DWG NO.:
APPD <th>DATE</th> <th>SIZE: A4</th> <th>REVISION</th>	DATE	SIZE: A4	REVISION
			WEIGHT 1.0g
			SHEET 1/1
			REVISION A0

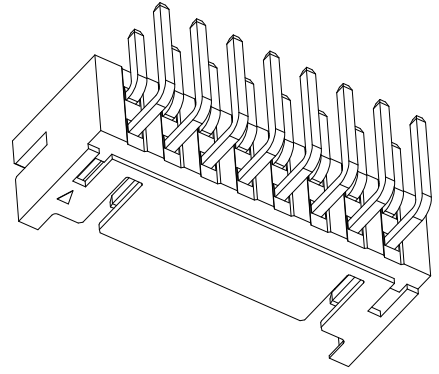
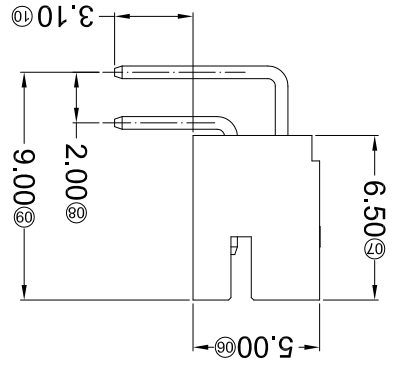
For and on behalf of  
**XKB INDUSTRIAL PRECISION CO., LIMITED**  
 香港星坤工業精密有限公司  
 Authorized Signatures(s)



Recommended P.C.B Layout  
General Tolerance±0.05

For and on behalf of  
XKB INDUSTRIAL PRECISION CO., LIMITED  
香港星坤工業精密有限公司

MARK	DESCRIPTION	DATE	REVISED	APPROVED	UNSPECIFIED TOLERANCES
△X					±0.5
△X					16 > L ≤ 63
△X					4 < L ≤ 16
					L ≤ 4
					ANGULAR ±5°



X2026 W R X-2\*XX S-N0 SN XX  
① ② ③ ④ ⑤ ⑥ ⑦ ⑧ ⑨

- ① Series No.
- ② Category: W-WAFFER
- ③ Welding Board Angle: R-Right Angle 90°
- ④ Welding Way: Blank-DIP
- ⑤ Row No.-Pin No.: 2\*XX-2\*02P~2\*22P
- ⑥ Plug the Pin & Special No.:
- ⑦ Without Positioning baffles on both side
- ⑧ Material: N0-PA66 94V-0
- ⑨ Plating Category: SN-Bright Tin Plating;
- ⑩ Color: Blank-Natural Color

PART NO	Material	Poles		Poles		PART NO	Material	Poles		Poles	
		A	B	C	A			B	C		
X2026WR-2*XXS-N0SN	PA66 UL 94V-0	16.00	18.00	2.09	2.16	X2026H	Brass	30.00	34.00	2.22	2.22
		14.80	16.80	2.15	2.20			26.00	30.00	2.21	2.22
		12.80	14.80	2.13	2.18			24.00	28.00	2.20	2.22
		10.00	12.00	2.11	2.16			20.00	24.00	2.19	2.22
		8.00	10.00	2.09	2.14			18.00	22.00	2.18	2.22
		6.00	8.00	2.07	2.12			16.00	20.00	2.17	2.22
		4.00	6.00	2.05	2.10			14.00	18.00	2.16	2.22
		2.00	4.00	2.03	2.08			12.00	16.00	2.15	2.22
		1.00	2.00	2.01	2.06			10.00	14.00	2.14	2.22
		0.50	1.00	2.00	2.05			8.00	12.00	2.13	2.22
		0.25	0.50	1.99	2.04			6.00	10.00	2.12	2.22
		0.125	0.25	1.98	2.03			4.00	8.00	2.11	2.22
		0.0625	0.125	1.97	2.02			2.00	4.00	2.10	2.22

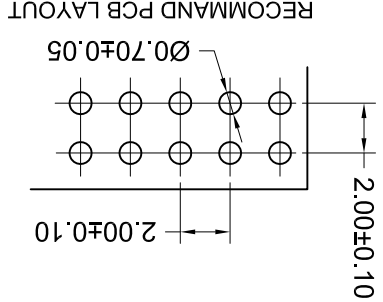
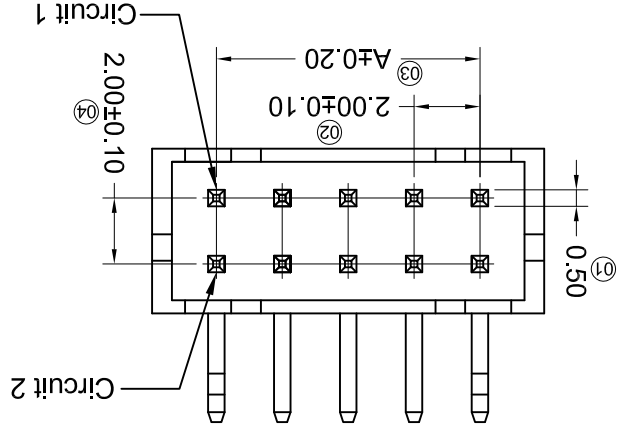
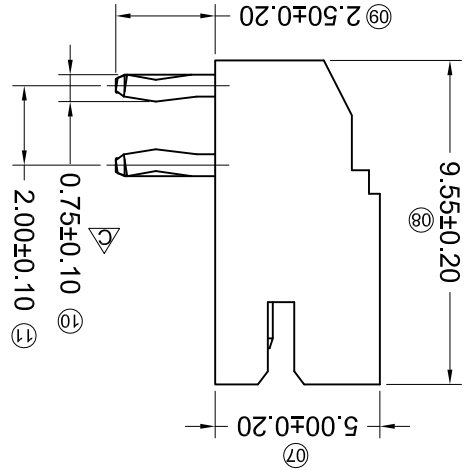
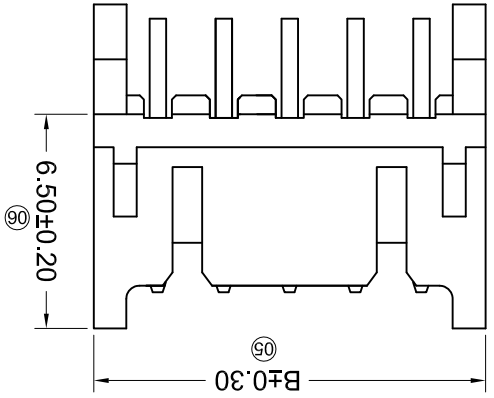
DSND	DATE	SCALE: N/A	MODEL TYPE: X2026WR-2*XXS-N0SN
CHKD <th>DATE</th> <th>UNIT: mm</th> <th>DWG NO.:</th>	DATE	UNIT: mm	DWG NO.:
APPD <th>DATE</th> <th>SIZE: A4</th> <th>REVISION</th>	DATE	SIZE: A4	REVISION
			WEIGHT 1.0g
			SHEET 1/1
			REVISION A0

- Specifications:
- Voltage rating: 250V AC / DC
- Current rating: 3A AC / DC
- Withstanding voltage: 800V AC/minute
- Temperature range: -25°C~+85°C
- Insulation resistance: ≥1000MΩ
- Contact resistance: ≤10mΩ
- After environmental testing: ≤20mΩ

*For and on behalf of*  
**XKB INDUSTRIAL PRECISION CO., LIMITED**  
 香港星坤工業精密有限公司

MARK	DESCRIPTION	DATE	REVISED	APPROVED	UNSPECIFIED TOLERANCES	
					L > 63	L ≤ 63
△ X					±0.5	
△ X					±0.4	
△ X					4 < L ≤ 16	±0.3
△ X					L ≤ 4	±0.2
					ANGULAR	±5°

PART NO	Material	Material(Pin)	Finish(Pin)	Suitable XKB Terminal	Q'ty/Bag
X2026WR-2*XXK-N0SN	Nylon 66 UL 94V-0	Brass	Tin-Plated	X2026H	1,000Pcs



- Specifications :
  - Voltage rating: 250V AC / DC
  - Current rating: 3A AC / DC
  - Withstanding voltage: 800V AC/minute
  - Temperature range: -25°C~+85°C
  - Insulation resistance: ≥1000MΩ
  - Contact resistance: ≤10mΩ
  - After environmental testing : ≤20mΩ

- X2026 W R X-2\*XX K-N0 SN XX
- ① Series No
  - ② Category: W-WAFER
  - ③ Welding Board Angle: R-90°
  - ④ Welding Way: Blank-DIP
  - ⑤ Row No.-Pin No.: 2\*XX-Double Row
  - ⑥ Plug the Pin & Special No:
  - ⑦ Material: N0-PA66 94V-0
  - ⑧ Plating Category:
  - G\*-Gold Plated Contact
  - V\*- All Gold-Plated
  - 01-Gold Flash 02-2u" 03-3u" 05-5u"
  - 10-10u" 15-15u" 30-30u" 50-50u"
  - SN-Bright Tin Plating (70-120u")
  - SN1-Bright Tin Plating (120u" Min).
  - SW-Fog Tin Plating
  - HS-Hight temperature Tin
  - ⑨ Color : Blank-Natural Color

Dimension(mm)	A	B
04	2.00	6.00
06	4.00	8.00
08	6.00	10.00
10	8.00	12.00
12	10.00	14.00
14	12.00	16.00
16	14.00	18.00
18	16.00	20.00
20	18.00	22.00
22	20.00	24.00
24	22.00	26.00
26	24.00	28.00
28	26.00	30.00
30	28.00	32.00
32	30.00	34.00
34	32.00	36.00
36	34.00	38.00
38	36.00	40.00
40	38.00	42.00
42	40.00	44.00
44	42.00	46.00

DSND	DATE	SCALE: N/A	MODEL TYPE: X2026WR-2*XXK-N0SN
DWN	DATE <td>VIEW: </td> <td>PART NO.:</td>	VIEW:	PART NO.:
CHKD	DATE <td>UNIT: mm</td> <td>DWG NO.:</td>	UNIT: mm	DWG NO.:
APPD	DATE <td>SIZE: A4</td> <td></td>	SIZE: A4	

WEIGHT	SHEET	REVISION
1.0g	1/1	A0





For and on behalf of  
**XKB INDUSTRIAL PRECISION CO., LIMITED**  
 香港星坤工業精密有限公司

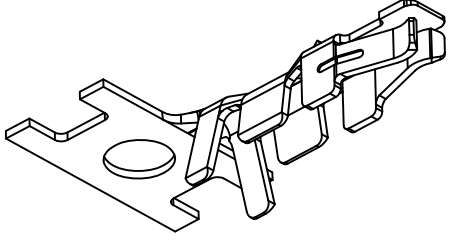
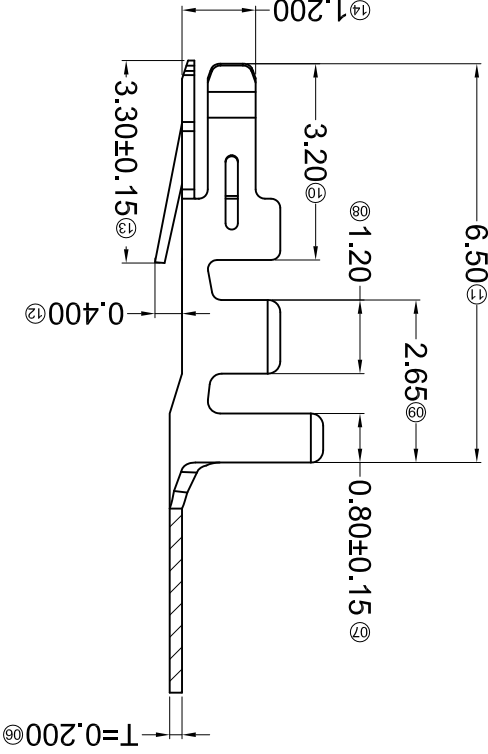
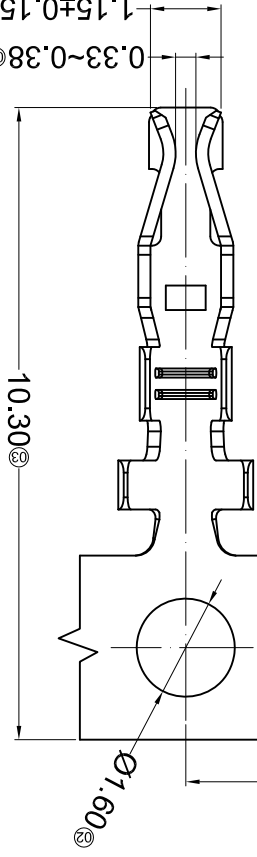
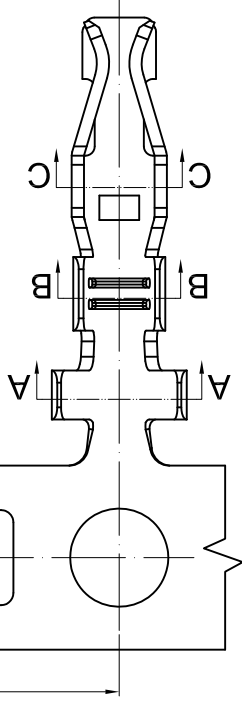
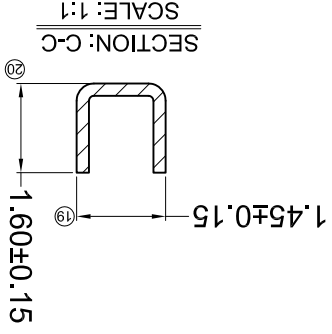
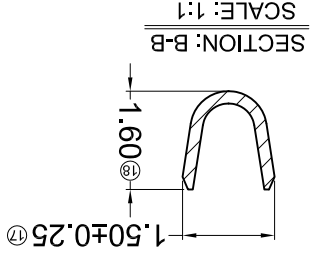
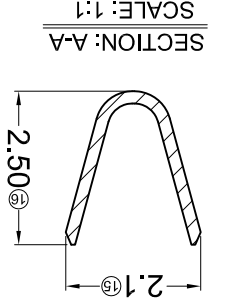
Authorized Signatures

MARK	DESCRIPTION	DATE	REVISED	APPROVED	UNSPECIFIED TOLERANCES
△ X					L > 63 ± 0.5
△ X					16 < L ≤ 63 ± 0.4
△ X					4 < L ≤ 16 ± 0.3
					L ≤ 4 ± 0.2
					ANGULAR ± 5°

REVISIONS	DATE	REVISED	APPROVED	UNSPECIFIED TOLERANCES
				L > 63 ± 0.5
				16 < L ≤ 63 ± 0.4
				4 < L ≤ 16 ± 0.3
				L ≤ 4 ± 0.2
				ANGULAR ± 5°

DNSD	DATE	SCALE: N/A	MODEL TYPE: X2026T-PSN-AQ
DWN	DATE	VIEW:	PART NO.: 2.00mm Crimp Style Connectors
CHKD	DATE	UNIT: mm	DWG NO.:
APPD	DATE	SIZE: A4	
		WEIGHT	1.0g
		SHEET	1/1
		REVISION	AO

X2026T-PSN-AQ	Phosphor Bronze	AWG#22-28	1.50mm(Max)	Stamping Before Plating: 30u" MIN, NI: 70u" MIN, Sn	X2026H-B, 2026H-C
X2026T-PSN-AQ	Material	Wire Range	Insulation O.D.	Finish	Suitable XKB



X2026 T X-P SN X-AQ  
 ① Series Number  
 ② Category: T-terminal  
 ③ Shape: Blank-ordinary  
 ④ Material: P-Phosphor bronze  
 ⑤ Plating style: SN-Bright tin plating  
 ⑥ Plating method: Blank-Stamping before plating  
 B-Plating before stamping  
 ⑦ Mold No./Mark/Special No.:

- Specifications:
- Voltage rating: 250V AC / DC
  - Current rating: 3A AC / DC
  - Withstanding voltage: 800V AC/minute
  - Temperature range: -25°C~+85°C
  - Insulation resistance: ≥1000MΩ
  - Contact resistance: ≤10mΩ
  - After environmental testing: ≤20mΩ

AQ- Mates with Lock Housing

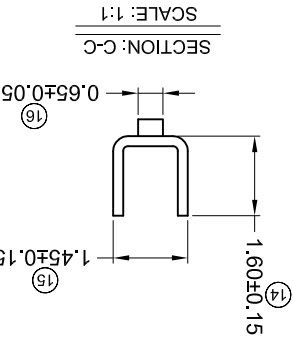
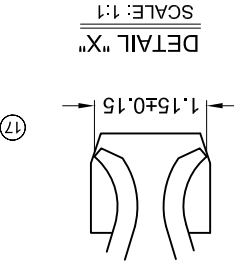
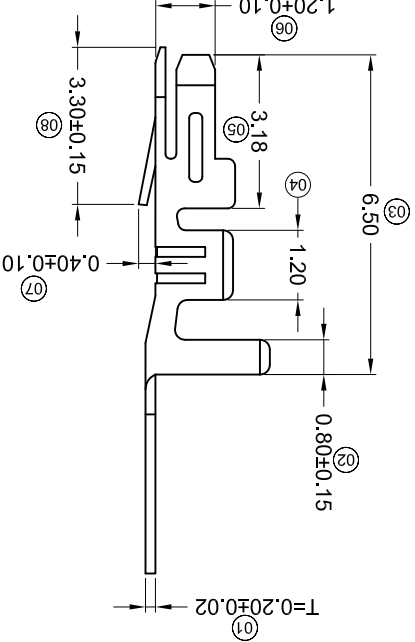
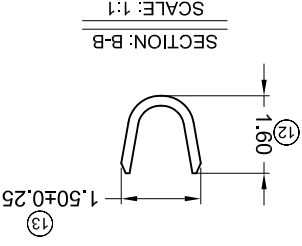
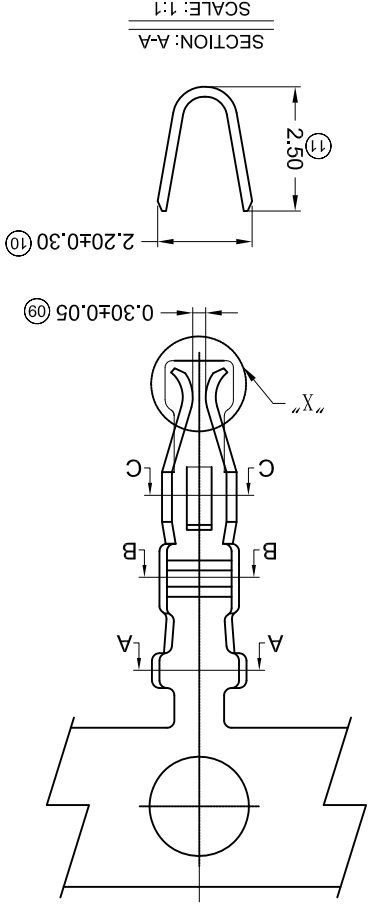


For and on behalf of  
**XKB INDUSTRIAL PRECISION CO., LIMITED**  
 香港星洲工業精密有限公司  
 REVISIONS  
 Authorized Signatures(s)

MARK	DESCRIPTION	DATE	REVISED	APPROVED	UNSPECIFIED TOLERANCES
△ X					L > 63 ± 0.5
△ X					16 < L ≤ 63 ± 0.4
△ X					4 < L ≤ 16 ± 0.3
△ X					L ≤ 4 ± 0.2
					ANGULAR ± 5°

REVISION	SHEET	WEIGHT	DATE	APPD	CHKD	DWN	DSND
A0	1/1	1.0g					
XKB INDUSTRIAL PRECISION CO., LIMITED			SIZE: A4				
2.00 mm Crimp Style Connector			UNIT: mm				
X2026T-PSN-A			VIEW:				
MODEL TYPE: X2026T-PSN-A			SCALE: N/A				

PART NO	Material	Wire Range	Insulation O.D.	Finish	Suitable XKB	Q'ty/Reel
X2026T-PSN-A	Phosphor Bronze	AWG#22-28	1.50mm(Max)	Stamping before plating:30~50u" Ni;70~120u"Sn	X2026H-B;X2026H-C;X2026H-D	10,000Pcs
X2026T-PSB-A				Plating Before Stamping:10~30u" Ni;40~60u"Sn		



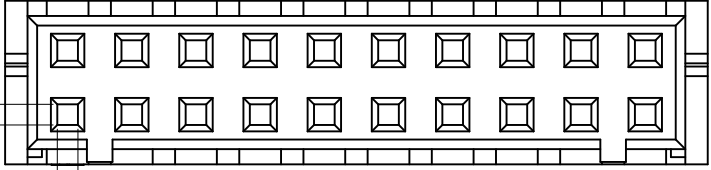
- Specifications :**
- Voltage rating: 250V AC / DC
  - Current rating: 3A AC / DC
  - Withstanding voltage: 1000V AC/minute
  - Temperature range: -25°C~+85°C
  - Insulation resistance: ≥1000MΩ
  - Contact resistance: ≤30mΩ
  - After environmental testing: ≤50mΩ
- X2026 T X-P SN X-A**
- Series No.
  - Category: T-Terminal
  - Appearance type: Blank-Ordinary
  - Material: P-Phosphor bronze
  - Plating Style: G\*\*-Gold Plated Contact
  - Plating Method: Blank-Stamping before Plating
  - Mold No./Mark/Special No.
- A-Mating With Lock Housing**
- ① Series No.  
 ② Category: T-Terminal  
 ③ Appearance type: Blank-Ordinary  
 ④ Material: P-Phosphor bronze  
 ⑤ Plating Style: G\*\*-Gold Plated Contact  
 V\*- All Gold-Plated  
 ①-Gold Flash 02-2u" 03-3u"  
 05-5u" 10-10u" 15-15u"  
 SN-Bright Tin Plating (70-120u")  
 SN1-Bright Tin Plating (120u" Min).  
 0-No Plating Material  
 SW-Fog Tin Plating  
 ⑥ Plating Method : Blank-Stamping before Plating  
 B-Plating before stamping  
 ⑦ Mold No./Mark/Special No.

For and on behalf of  
**XKB INDUSTRIAL PRECISION CO., LIMITED**  
 香港星洲工業精密有限公司

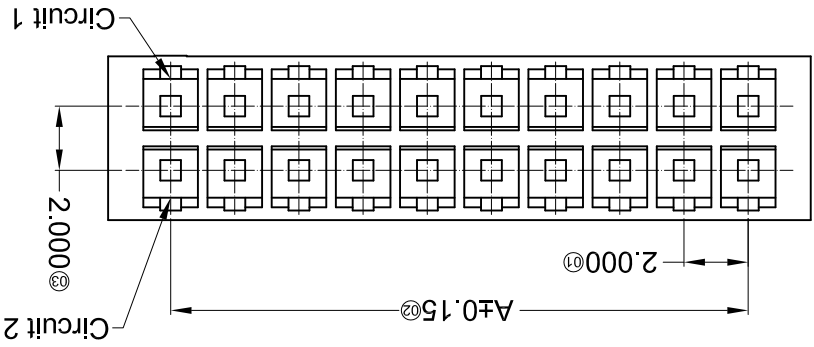
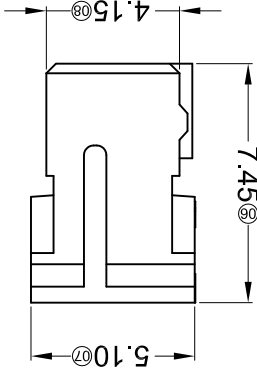
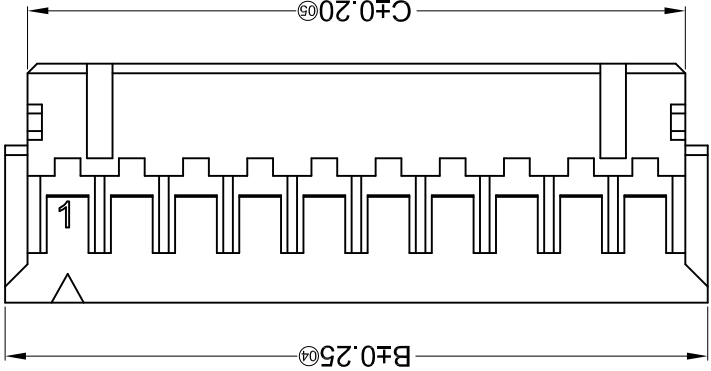
MARK	DESCRIPTION	DATE	REVISED	APPROVED	UNSPECIFIED TOLERANCES
△ X					L > 63
△ X					16 < L ≤ 63
△ X					4 < L ≤ 16
△ X					L ≤ 4
					ANGULAR
					±5°

**XKB INDUSTRIAL PRECISION CO., LIMITED**

MODEL TYPE:	SCALE: N/A	DATE		DNSD
X2026H-2*XXX-N0				
PART NO.:	VIEW:	DATE		DWN
2.00mm Crimp Style Connectors				
DWG NO.:	UNIT: mm	DATE		CHKD
REVISION	SHEET	1/1	WEIGHT	1.0g
A0				



0.640 <sup>⑩</sup>



Circuit 2

Circuit 1

- **Specifications :**
- Voltage rating: 250V AC / DC
  - Current rating: 3A AC / DC
  - Withstanding voltage: 800V AC/minute
  - Temperature range: -25°C~+85°C
  - Insulation resistance: ≥1000MΩ
  - Contact resistance: ≤10mΩ
  - After environmental testing: ≤20mΩ
- ① Series No. ① ② ③ ④ ⑤ ⑥ ⑦  
 X2026 H X-2\*XX HF-N0 XX
- ② Category: H-HSG  
 ③ Appearance type: Blank-Ordinary  
 ④ Row No.-Pin No.: 2\*XX-2\*02P~2\*22P  
 ⑤ Plug the Pin & special No.:  
 ⑥ Material: NO-PA66 94V-0  
 HF-Halogen Free  
 ⑦ Color: Blank-Natural Color  
 Bk-Black

Poles	Dimensions (mm)		
	A	B	C
2*02	2.00	5.90	2*13
2*03	4.00	7.90	2*14
2*04	6.00	9.90	2*15
2*05	8.00	11.90	2*16
2*06	10.00	13.90	2*17
2*07	12.00	15.90	2*18
2*08	14.00	17.90	2*19
2*09	16.00	19.90	2*20
2*10	18.00	21.90	2*21
2*11	20.00	23.90	2*22
2*12	22.00	25.90	24.50
Poles			
Dimensions (mm)			
A	B	C	
26.50	27.90	24.00	2*13
28.50	29.90	26.00	2*14
30.50	31.90	28.00	2*15
32.50	33.90	30.00	2*16
34.50	35.90	32.00	2*17
36.50	37.90	34.00	2*18
38.50	39.90	36.00	2*19
40.50	41.90	38.00	2*20
42.50	43.90	40.00	2*21
44.50	45.90	42.00	2*22

PART NO	Material	Suitable XKB Terminal	Suitable XKB Terminal
X2026H-2*XX-NOBK	Nylon 66 UL 94V-0 Black	X2026T	X2026W
X2026H-2*XXHF-N0	Nylon 66 UL 94V-0 Halogen Free		
X2026H-2*XX-N0	Nylon 66 UL 94V-0		



## X-ON Electronics

Largest Supplier of Electrical and Electronic Components

*Click to view similar products for [Headers & Wire Housings](#) category:*

*Click to view products by [XKB](#) manufacturer:*

Other Similar products are found below :

[95000-104TRLF](#) [10135584-644402LF](#) [DF62W-EP2022PCA](#) [95000-106TRLF](#) [DF62W-2022SCA](#) [DF62W-EP2022PC](#) [2203348](#) [DF62W-2022SC](#) [1084018](#) [1029039](#) [1084017](#) [802-10-012-10-002000](#) [1112640](#) [1112639](#) [891-007-9SS-BST1T](#) [000-34000](#) [0008550134](#) [0009482033](#) [0009507031](#) [57102-F02-18ULF](#) [57102-S06-03LF](#) [57202-S52-04LF](#) [PCN6-15S-2.5E](#) [0039019024](#) [58102-G61-06LF](#) [582553-1](#) [0009485154](#) [0009508121](#) [0022285053](#) [0050291907](#) [018731A](#) [LY20-4P-DT1-P1E-BR](#) [02.125.8002.8](#) [60101931](#) [60598-1 \(Cut Strip\)](#) [M1625-3R/100](#) [61062-3](#) [61082-181009](#) [CSU011177004](#) [636-1427](#) [638009-1](#) [641938-9](#) [641991-4](#) [644168-1](#) [644827-2](#) [647662-1](#) [65039-019ELF](#) [65692-001LF](#) [65781-018](#) [65781-047](#)