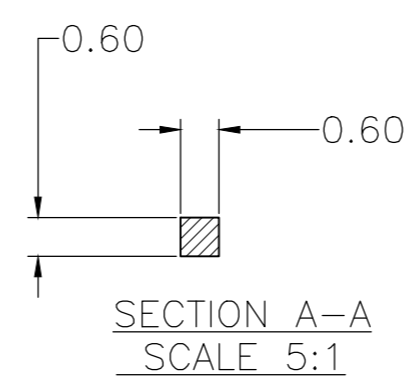
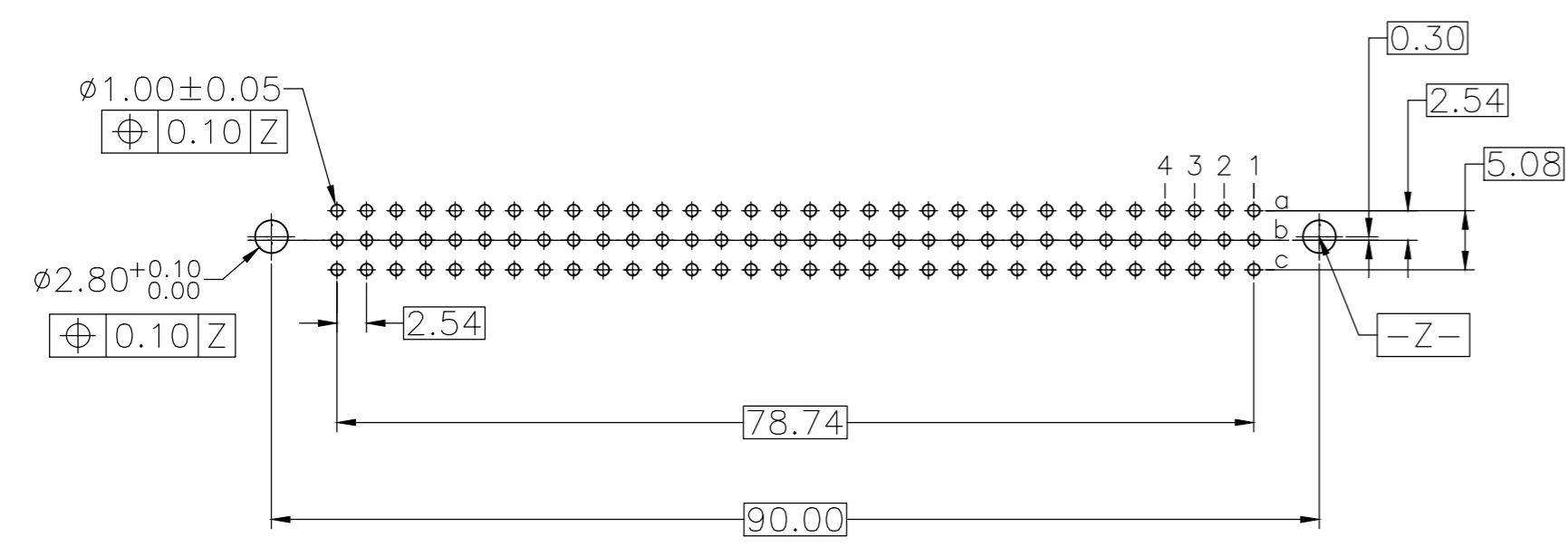
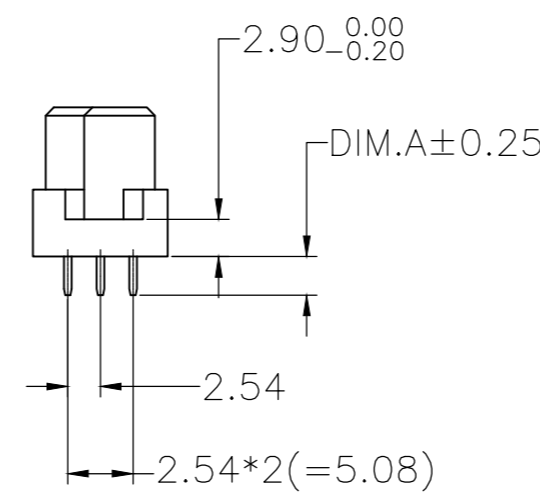
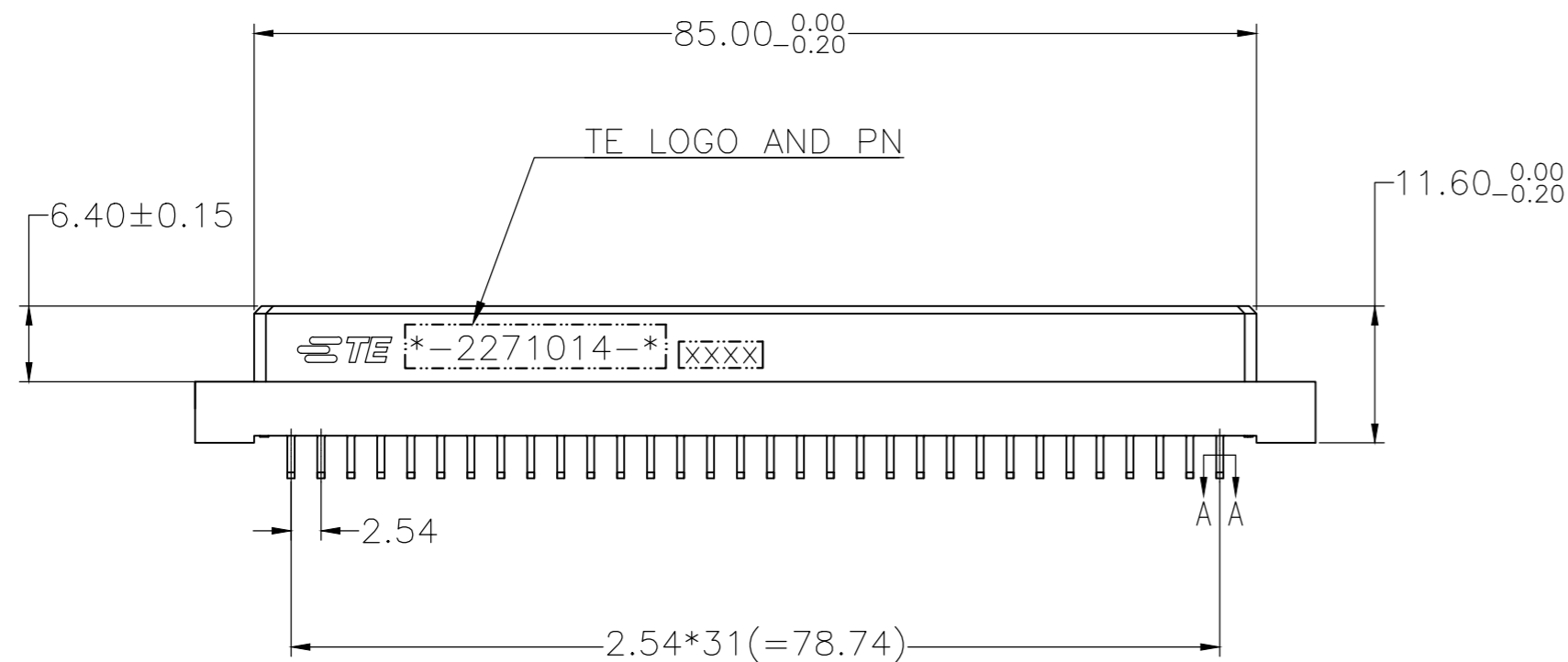
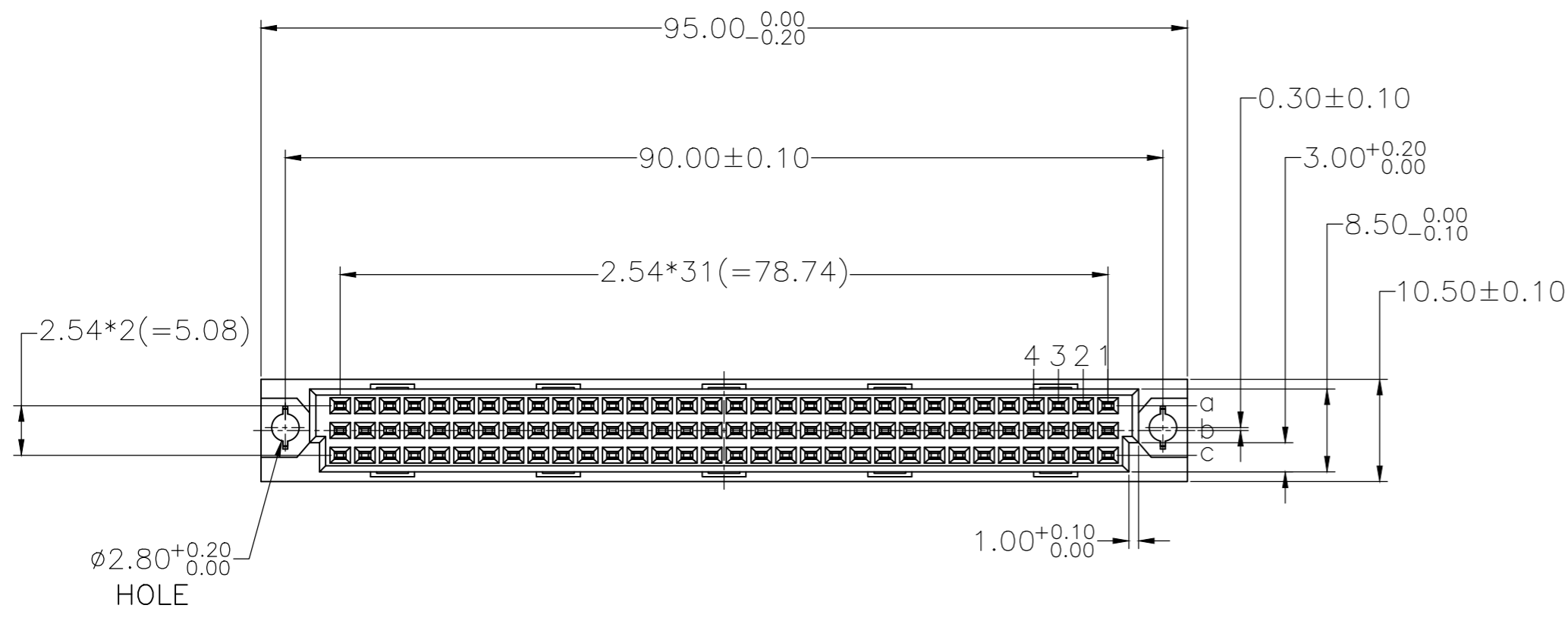


THIS DRAWING IS UNPUBLISHED. RELEASED FOR PUBLICATION  
 © COPYRIGHT - By - ALL RIGHTS RESERVED.

LOC	DIST	REVISIONS					
		P	LTR	DESCRIPTION	DATE	DWN	APVD
-	-	A	-		-	-	-



- NOTES:
- PRODUCT SPECIFICATION:  
 CURRENT RATING: 2.0AMP  
 CONTACT RESISTANCE: 20mΩ MAX  
 WITHSTAND VOLTAGE: 1000V AC/DC  
 INSULATION RESISTANCE: 10E6MΩ MIN  
 OPERATING TEMPERATURE: -55°C to +105°C  
 RECOMMEND SOLDERING PROCESS: WAVE SOLDERING  
 PEAK TEMPERATURE: 250°C
  - MATERIAL CONTACT: COPPER ALLOY  
 HOUSING: LOW-TEMPERATURE MATERIAL UL94V-0
  - 1.27um MIN NICKEL PER TEC-112-25 UNDERPLATE ALL OVER
  - 2.54um MIN TIN PER TEC-112-65 ON SOLDERING AREA
  - 0.76um MIN GOLD PER TEC-112-162 ON CONTACT AREA
  - 0.25um MIN GOLD PER TEC-112-162 ON CONTACT AREA
  - 0.076um MIN GOLD FLASH PER TEC-112-33 ON CONTACT AREA
  - PARTS MUST CONFORM TO DIN 41612/IEC60603-2

4.57	3 4 5	abc	96	8-2271014-2
4.57	3 4 6	abc	96	8-2271014-1
4.57	3 4 7	abc	96	8-2271014-0
4.57	3 4 5	a c	64	7-2271014-2
4.57	3 4 6	a c	64	7-2271014-1
4.57	3 4 7	a c	64	7-2271014-0
4.0	3 4 5	abc	96	6-2271014-2
4.0	3 4 6	abc	96	6-2271014-1
4.0	3 4 7	abc	96	6-2271014-0
4.0	3 4 5	a c	64	5-2271014-2
4.0	3 4 6	a c	64	5-2271014-1
4.0	3 4 7	a c	64	5-2271014-0
3.0	3 4 5	abc	96	4-2271014-2
3.0	3 4 6	abc	96	4-2271014-1
3.0	3 4 7	abc	96	4-2271014-0
3.0	3 4 5	a c	64	3-2271014-2
3.0	3 4 6	a c	64	3-2271014-1
3.0	3 4 7	a c	64	3-2271014-0
2.5	3 4 5	abc	96	2-2271014-2
2.5	3 4 6	abc	96	2-2271014-1
2.5	3 4 7	abc	96	2-2271014-0
2.5	3 4 5	a c	64	1-2271014-2
2.5	3 4 6	a c	64	1-2271014-1
2.5	3 4 7	a c	64	1-2271014-0
DIM.A	FINISH	ROWS LOADED	POS	PN

RECOMMENDED P.C.B LAYOUT

THIS DRAWING IS A CONTROLLED DOCUMENT. DWN 26SEP2014  
 ETHAN CHENG  
 CHK -  
 KOBBY ZHAO  
 APVD -  
 XIANG XU  
 PRODUCT SPEC  
 108-137009  
 APPLICATION SPEC

TE Connectivity  
 CELLO CONNECTOR, TYPE C  
 RECEPTACLE, VERTICAL  
 WITHOUT CLIPS

SIZE A2 CAGE CODE 00779 DRAWING NO C-2271014 RESTRICTED TO -  
 WEIGHT -  
 CUSTOMER DRAWING SCALE 1:1 SHEET 1 OF 1 REV A1

DIMENSIONS: mm  
 TOLERANCES UNLESS OTHERWISE SPECIFIED:  
 0 PLC ± -  
 1 PLC ± -  
 2 PLC ± 0.25  
 3 PLC ± -  
 4 PLC ± -  
 ANGLES ± 3

MATERIAL SEE NOTE FINISH SEE NOTE

## X-ON Electronics

Largest Supplier of Electrical and Electronic Components

*Click to view similar products for [Headers & Wire Housings](#) category:*

*Click to view products by [TE Connectivity](#) manufacturer:*

Other Similar products are found below :

[95000-104TRLF](#) [10135584-644402LF](#) [DF62W-EP2022PCA](#) [95000-106TRLF](#) [DF62W-2022SCA](#) [DF62W-EP2022PC](#) [2203348](#) [DF62W-2022SC](#) [1084018](#) [1029039](#) [1084017](#) [802-10-012-10-002000](#) [1112640](#) [1112639](#) [891-007-9SS-BST1T](#) [000-34000](#) [0008550134](#) [0009482033](#) [0009507031](#) [57102-F02-18ULF](#) [57102-S06-03LF](#) [57202-S52-04LF](#) [PCN6-15S-2.5E](#) [0039019024](#) [58102-G61-06LF](#) [582553-1](#) [0009485154](#) [0009508121](#) [0022285053](#) [0050291907](#) [018731A](#) [LY20-4P-DT1-P1E-BR](#) [02.125.8002.8](#) [60101931](#) [60598-1 \(Cut Strip\)](#) [M1625-3R/100](#) [61062-3](#) [61082-181009](#) [CSU011177004](#) [636-1427](#) [638009-1](#) [641938-9](#) [641991-4](#) [644168-1](#) [644827-2](#) [647662-1](#) [65039-019ELF](#) [65692-001LF](#) [65781-018](#) [65781-047](#)