

For and on behalf of
XKB INDUSTRIAL PRECISION CO., LIMITED
 香港星坤工業精密有限公司

REVISIONS
 Authorized Signatures(s)

MARK	DESCRIPTION	DATE	REVISED	APPROVED	UNSPECIFIED TOLERANCES
△ X					L > 63 ± 0.5
△ X					16 < L ≤ 63 ± 0.4
△ X					4 < L ≤ 16 ± 0.3
△ X					L ≤ 4 ± 0.2
					ANGULAR ± 5°

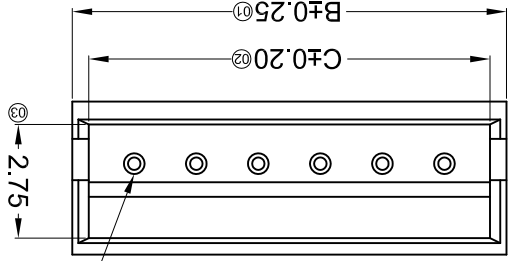
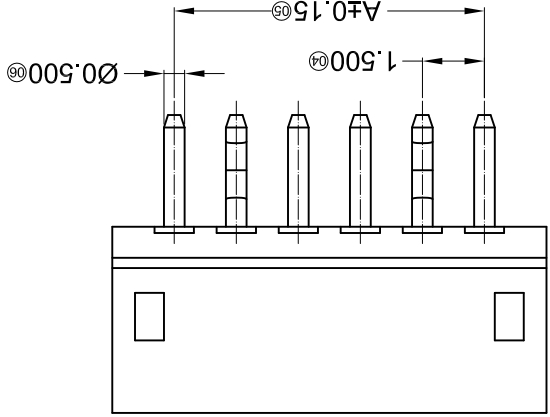
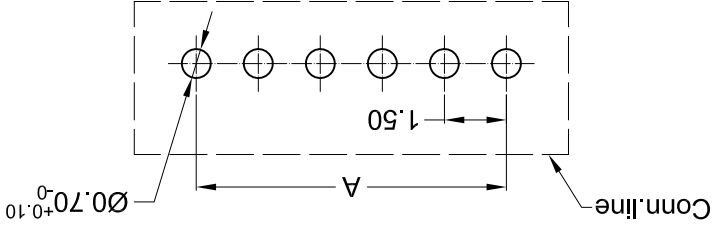
REVISION	SHEET	WEIGHT	SIZE: A4	DATE	DATE	DATE	DATE
A0	1/1	1.0g					

XKB INDUSTRIAL PRECISION CO., LIMITED

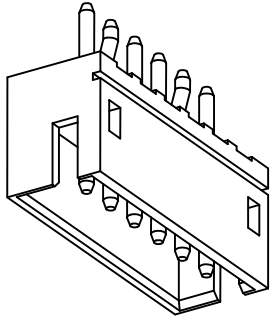
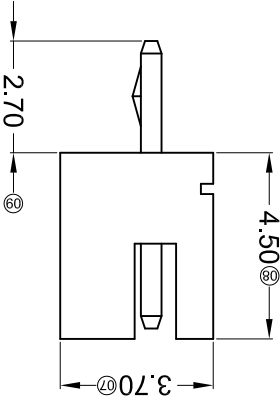
APPD	CHKD	DWN	DSND

UNIT: mm
 VIEW: 
 PART NO.:
 DWG NO.:
 MODEL TYPE: X1502WV-XXK-N0SN
 SCALE: N/A

Recommended P.C.B Layout
 General Tolerance ± 0.05



Circuit 1



PART NO	Material	Material(Pin)	Finish(Pin)	Suitable XKB Terminal
X1502WV-XXK-N0SN	Nylon 66 UL 94V-0	Brass	Tin-Plated	X1502H

Poles	Dimensions(mm)		
	A	B	C
02	1.50	4.50	3.70
03	3.00	6.00	5.20
04	4.50	7.50	6.70
05	6.00	9.00	8.20
06	7.50	10.50	9.70
07	9.00	12.00	11.20
08	10.50	13.50	12.70
09	12.00	15.00	14.20
10	13.50	16.50	15.70
11	15.00	18.00	17.20
12	16.50	19.50	18.70
13	18.00	21.00	20.20
14	19.50	22.50	21.70
15	21.00	24.00	23.20

- ① Series No.
- ② Category: W-water
- ③ Welding Board Angle: V- Straight 180°
- ④ Welding Way: Blank-DIP
- ⑤ Row No.-Pin No.: XX-02P~12P
- ⑥ Plug the Pin & Special No.: K- kink
- ⑦ Material: N0-PA66 94V-0
- ⑧ Planting Category: SN-Bright tin plating
- ⑨ Color: Blank-Natural Color

X1502 W V X-XX K-N0 SN XX
 ① ② ③ ④ ⑤ ⑥ ⑦ ⑧ ⑨

- Voltage rating: 50V AC / DC
- Current rating: 1A AC / DC
- Withstanding voltage: 500V AC/minute
- Temperature range: -25°C~+85°C
- Insulation resistance: ≥500MΩ
- Contact resistance: ≤20mΩ
- After environmental testing: ≤30mΩ

■ Specifications :

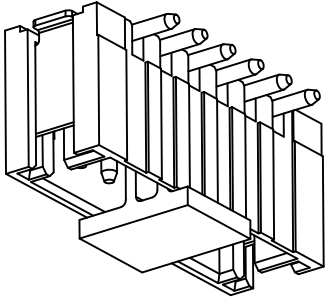
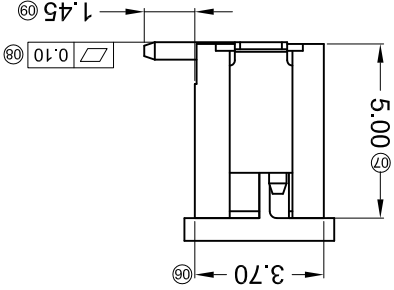
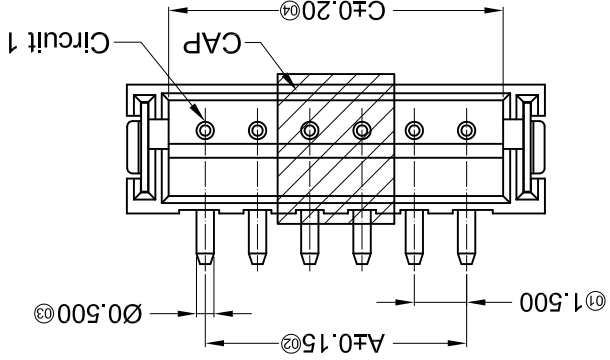
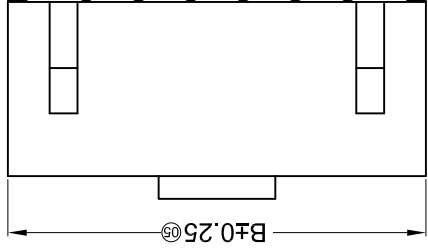
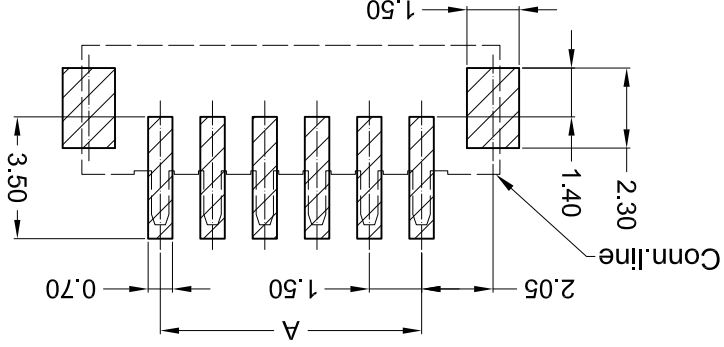
For and on behalf of
KXB INDUSTRIAL PRECISION CO., LIMITED
 香港星坤工業精密有限公司

MARK	DESCRIPTION	DATE	REVISD	APPROVED	UNSPECIFIED TOLERANCES
△ X					L > 63
△ X					16 > L ≤ 63
△ X					4 < L ≤ 16
△ X					L ≤ 4
					ANGULAR
					±5°

REVISIONS
 Authorized Signature(s)

DATE	DATE	DATE	DATE	DATE	DATE
DNSD	DWN	CHKD	APPD		
SCALE: N/A	VIEW:	UNIT: mm	SIZE: A4	WEIGHT	REVISION
MODEL TYPE: X1502WVS-XX-XXSN	PART NO.:	1.50mm Crimp Style Connectors		SHEET	AO
				1/1	8

Recommended P.C.B Layout
 General Tolerance±0.05



PART NO	Material	Material(Pin)	Finsh(Pin)	Material (Solder Tabs)	Finish (Solder Tabs)	Suitable XKB Terminal
X1502WVS-XX-6TSN	PA9T UL 94V-0	Brass	Tin-Plated	Phosphor Bronze	Tin-Plated	X1502H
X1502WVS-XX-9TSN	PA9T UL 94V-0	Brass	Tin-Plated	Phosphor Bronze	Tin-Plated	X1502H
X1502WVS-XXHF-LPSW	LCP UL 94V-0 Halogen Free	Brass	Tin-Plated	Phosphor Bronze	Tin-Plated	X1502H

Poles	Dimensions(mm)		
	A	B	C
02	1.50	3.00	6.00
03	3.00	7.50	5.10
04	4.50	9.00	6.60
05	6.00	10.50	8.10
06	7.50	12.00	9.60
07	9.00	13.50	11.10
08	10.50	15.00	12.60
			15
			21.00
			25.50
			23.10

X1502 W V S-XX X-XX SN XX

① Series No.

② Category: W-water

③ Welding Board Angle: V- Straight 180°

④ Welding Way: S-SMT

⑤ Row No.-Pin No.: XX-02P~15P

⑥ Plug the Pin & Special No.:

⑦ Material: 6T-PA6T 94V-0; 9T-PA9T 94V-0 LP-LCP 94V-0

⑧ Plating Category: SN-Bright tin plating

⑨ Color: Blank-Natural Color

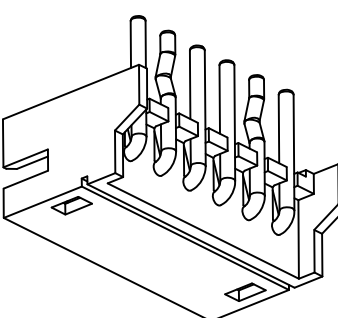
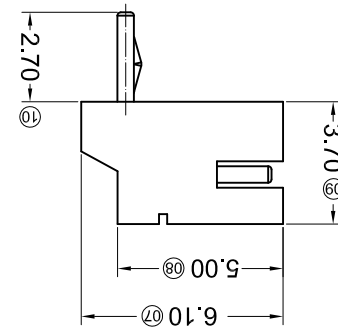
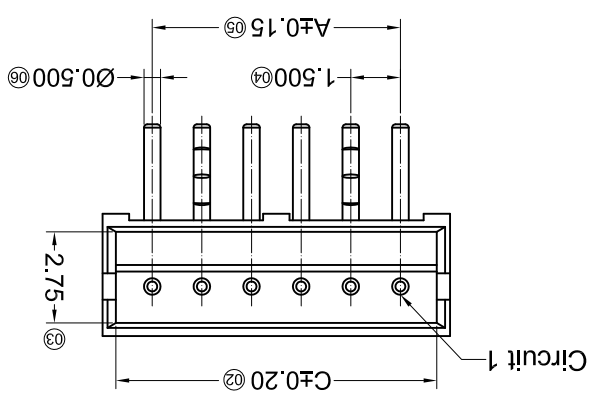
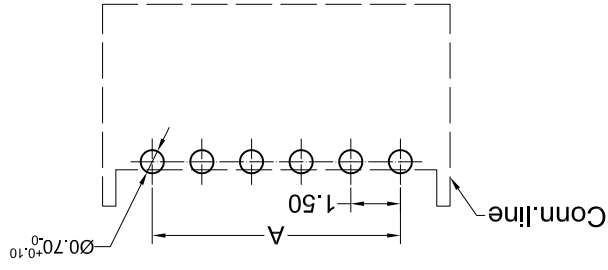
■ Specifications :

- Voltage rating: 50V AC / DC
- Current rating: 1A AC / DC
- Withstanding voltage: 500V AC/minute
- Temperature range: -25°C~+85°C
- Insulation resistance: ≥500MΩ
- Contact resistance: ≤20mΩ
- After environmental testing: ≤30mΩ

REVISIONS		APPROVED		REVISED		DATE		DESCRIPTION		MARK	
UNSPECIFIED TOLERANCES		L > 63		L ≤ 63		L ≤ 16		L ≤ 4		ANGULAR	
±0.5		±0.4		±0.3		±0.2		±5°		△ X	
△ X		△ X		△ X		△ X		△ X		△ X	

For and on behalf of
XKB INDUSTRIAL PRECISION CO., LIMITED
 香港星坤工業精密有限公司

REVISION	SHEET	WEIGHT	XKB INDUSTRIAL PRECISION CO., LIMITED		
A0	1/1	1.0g	SIZE: A4	DATE	DATE
PART NO.: X1502WR-XXK-N0SN			UNIT: mm	DATE	DATE
MODEL TYPE: X1502WR-XXK-N0SN			VIEW:	DATE	DATE
SCALE: N/A			SCALE: N/A	DATE	DATE



Recommended P.C.B Layout
 General Tolerance±0.05

PART NO	Material	Material(Pin)	Finish(Pin)	Material
X1502WR-XXK-N0SN	Nylon 66 UL 94V-0	Brass	Tin-Plated	Suitable XKB Terminal

Poles	Dimensions(mm)							
	A	B	C	Poles				
02	1.50	4.50	3.70	09	12.00	15.00	14.20	C
03	3.00	6.00	5.20	10	13.50	16.50	15.70	C
04	4.50	7.50	6.70	11	15.00	18.00	17.20	C
05	6.00	9.00	8.20	12	16.50	19.50	18.70	C
06	7.50	10.50	9.70	13	18.00	21.00	20.20	C
07	9.00	12.00	11.20	14	19.50	22.50	21.70	C
08	10.50	13.50	12.70	15	21.00	24.00	23.20	C

- ① Series No.
- ② Category: W-water
- ③ Welding Board Angle: R- Right Angle 90°
- ④ Welding Way: Blank-DIP
- ⑤ Row No.-Pin No.: XX-02P~15P
- ⑥ Plug the Pin & Special No.: K-kink
- ⑦ Material: N0-PA66 94V-0
- ⑧ Plating Category: SN-Bright tin plating
- ⑨ Color: Blank-Natural Color

X1502 W R X-XX K-N0 SN XX
 ① ② ③ ④ ⑤ ⑥ ⑦ ⑧ ⑨

- Specifications :
- Voltage rating: 50V AC / DC
 - Current rating: 1A AC / DC
 - Withstanding voltage: 500V AC/minute
 - Temperature range: -25°C~+85°C
 - Insulation resistance: ≥500MΩ
 - Contact resistance: ≤20mΩ
 - After environmental testing: ≤30mΩ

For and on behalf of
KXB INDUSTRIAL PRECISION CO., LIMITED
 香港星坤工業精密有限公司
 Revisions Authorized Signatures(s)

MARK	DESCRIPTION	DATE	REVISED	APPROVED	UNSPECIFIED TOLERANCES
△ X					L > 63 ±0.5
△ X					16 > L ≤ 63 ±0.4
△ X					4 < L ≤ 16 ±0.3
△ X					L ≤ 4 ±0.2
					ANGULAR ±5°

REVISION	SHEET	WEIGHT	SIZE: A4
A0	1/1	1.0g	

DATE	DATE	DATE	DATE

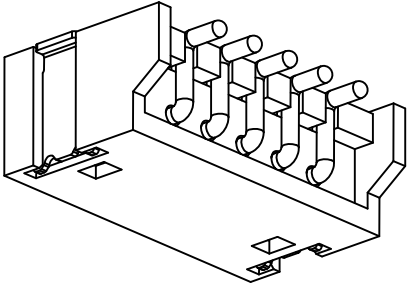
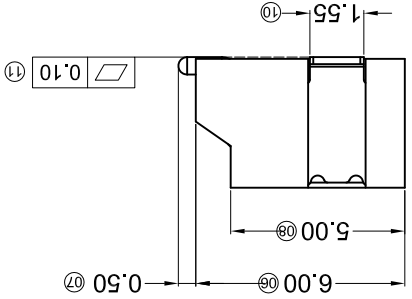
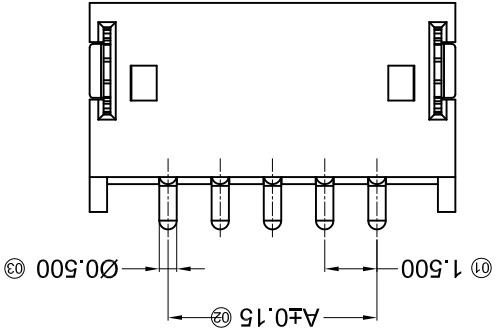
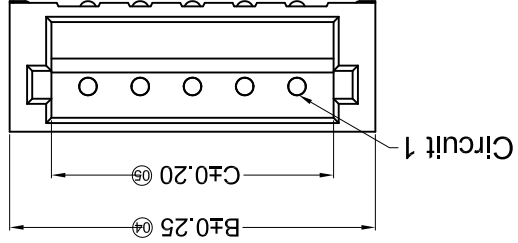
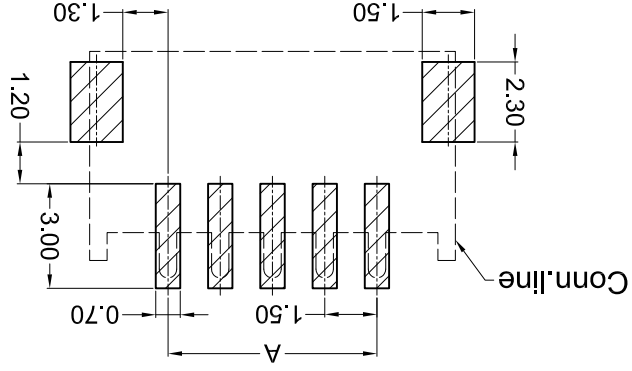
DATE	DATE	DATE	DATE

DATE	DATE	DATE	DATE

SCALE: N/A	VIEW:	UNIT: mm	PART NO.:
	⊙		

MODEL TYPE:	DWG NO.:
X1502WRS-XX-XXSN	1.50mm Crimp Style Connectors

Recommended P.C.B Layout
 General Tolerance±0.05



PART NO	Material	Material(Pin)	Finsh(Pin)	Material (Solder Tabs)	Finish (Solder Tabs)	Suitable XKB Terminal
X1502WRS-XX-6TSN	PA9T UL 94V-0	Brass	Tin-Plated	Phosphor Bronze	Tin-Plated	X1502H
X1502WRS-XX-9TSN	PA9T UL 94V-0	Brass	Tin-Plated	Phosphor Bronze	Tin-Plated	X1502H
X1502WRS-XXHF1.PSW	LCP UL 94V-0 Halogen Free	Brass	Tin-Plated	Phosphor Bronze	Tin-Plated	X1502H

Poles	Dimensions(mm)			Poles	Dimensions(mm)		
	A	B	C		A	B	C
02	1.50	6.00	3.60	09	12.00	16.50	14.10
03	3.00	7.50	5.10	10	13.50	18.00	15.60
04	4.50	9.00	6.60	11	15.00	19.50	17.10
05	6.00	10.50	8.10	12	16.50	21.00	18.60
06	7.50	12.00	9.60	13	18.00	22.50	20.10
07	9.00	13.50	11.10	14	19.50	24.00	21.60
08	10.50	15.00	12.60	15	21.00	25.50	23.10

Series No. ①
 Category: W-wafer ②
 Welding Board Angle: R- Right Angle 90° ③
 Welding Way: S-SMT ④
 Row No.-Pin No.: XX-02P~15P ⑤
 Plug the Pin & Special No.: ⑥
 Material: 6T -PA6T 94V-0; 9T -PA9T 94V-0 LP-LCP 94V-0 ⑦
 Plating Category: SN-Bright tin plating ⑧
 Color: Blank-Natural Color ⑨

- Specifications :
- Voltage rating: 50V AC / DC
 - Current rating: 1A AC / DC
 - Withstanding voltage: 500V AC/minute
 - Temperature range: -25°C~+85°C
 - Insulation resistance:≥500MΩ
 - Contact resistance: ≤20mΩ
 - After environmental testing: ≤30mΩ

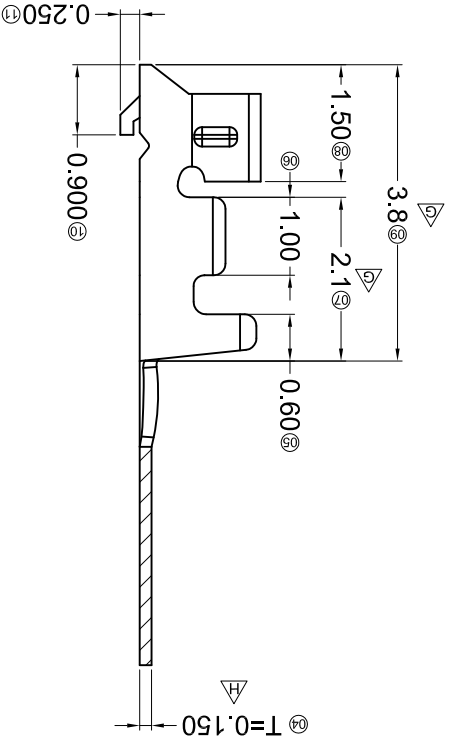
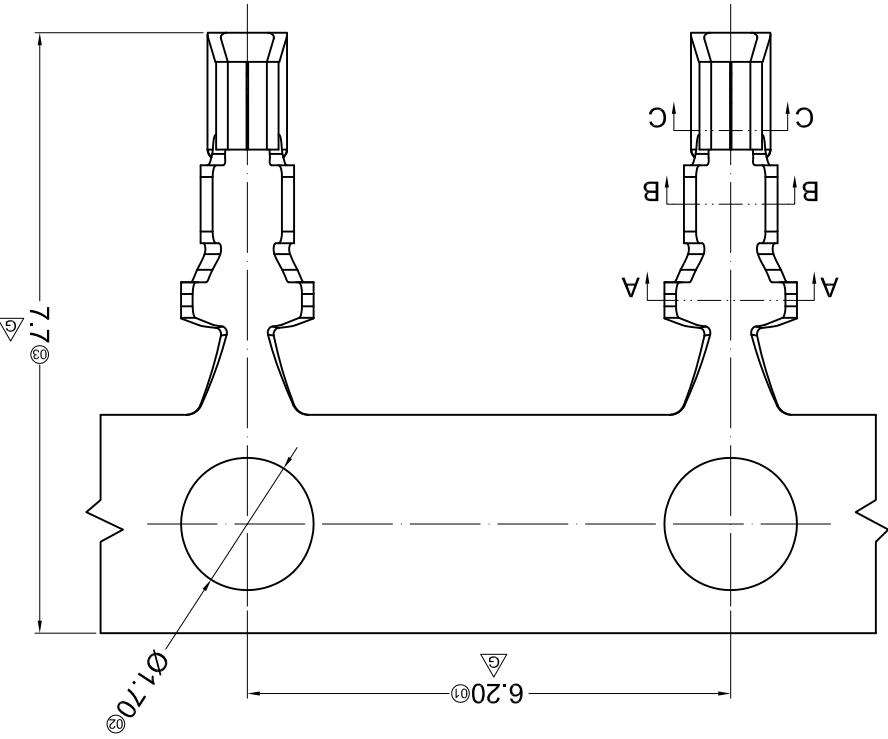
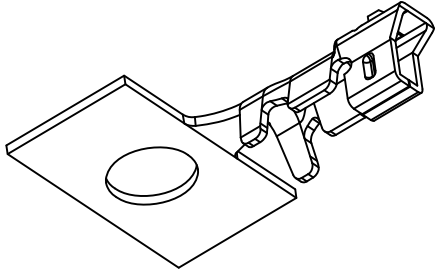
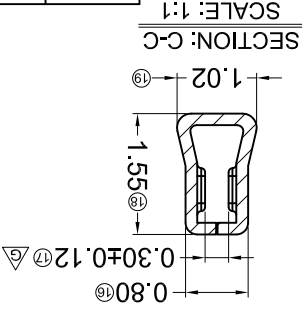
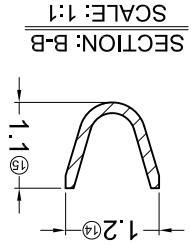
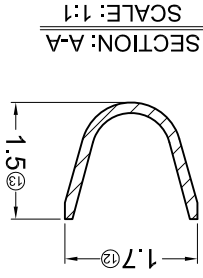
For and on behalf of
XKB INDUSTRIAL PRECISION CO., LIMITED
 香港星坤工業精密有限公司
 Authorized Signatures(s)

MARK	DESCRIPTION	DATE	REVISED	APPROVED	UNSPECIFIED TOLERANCES	
					L > 63	± 0.5
△ X					16 < L ≤ 63	± 0.4
△ X					4 < L ≤ 16	± 0.3
△ X					L ≤ 4	± 0.2
					ANGULAR	± 5°

REVISIONS		XKB INDUSTRIAL PRECISION CO., LIMITED	
REVISION	SHEET	WEIGHT	1.0g
AO	1/1		

DSND	DATE	SCALE: N/A	MODEL TYPE: X1502T-P/SN
APPD <td></td> <td>SIZE: A4</td> <td>DWG NO.:</td>		SIZE: A4	DWG NO.:
CHKD <td></td> <td>UNIT: mm</td> <td>1.50mm Crimp Style Connectors</td>		UNIT: mm	1.50mm Crimp Style Connectors
DWN <td></td> <td>VIEW: </td> <td>PART NO.:</td>		VIEW:	PART NO.:

PART NO	Material	Wire Range	Insulation O.D.	Finish	Suitable XKB Terminal
X1502T-P/SN	Phosphor Bronze	AWG#26-32	1.20mm(Max)	Stamping Before Plating: 30u" MIN. Ni; 70u" MIN. Sn	X1502H



Series Number
 X1502 T X-P SN X - X

- Specifications :
- Voltage rating: 50V AC / DC
 - Current rating: 1A AC / DC
 - Withstanding voltage: 500V AC/minute
 - Temperature range: -25°C~+85°C
 - Insulation resistance: ≥500MΩ
 - Contact resistance: ≤20mΩ
 - After environmental testing: ≤30mΩ

- Series Number
- Category: T-Terminal
- Shape: Blank-ordinary
- Material: P-Phosphor bronze
- Plating style: SN-Bright tin plating
- Plating method: Blank-Stamping before plating
- Mold No./Mark/Special No.

X-ON Electronics

Largest Supplier of Electrical and Electronic Components

Click to view similar products for [Headers & Wire Housings](#) category:

Click to view products by [XKB](#) manufacturer:

Other Similar products are found below :

[95000-104TRLF](#) [10135584-644402LF](#) [DF62W-EP2022PCA](#) [95000-106TRLF](#) [DF62W-2022SCA](#) [DF62W-EP2022PC](#) [2203348](#) [DF62W-2022SC](#) [1084018](#) [1029039](#) [1084017](#) [802-10-012-10-002000](#) [1112640](#) [1112639](#) [891-007-9SS-BST1T](#) [000-34000](#) [0008550134](#) [0009482033](#) [0009507031](#) [57102-F02-18ULF](#) [57102-S06-03LF](#) [57202-S52-04LF](#) [PCN6-15S-2.5E](#) [0039019024](#) [58102-G61-06LF](#) [582553-1](#) [0009485154](#) [0009508121](#) [0022285053](#) [0050291907](#) [018731A](#) [LY20-4P-DT1-P1E-BR](#) [02.125.8002.8](#) [60101931](#) [60598-1 \(Cut Strip\)](#) [M1625-3R/100](#) [61062-3](#) [61082-181009](#) [CSU011177004](#) [636-1427](#) [638009-1](#) [641938-9](#) [641991-4](#) [644168-1](#) [644827-2](#) [647662-1](#) [65039-019ELF](#) [65692-001LF](#) [65781-018](#) [65781-047](#)