

For and on behalf of  
**XKB INDUSTRIAL PRECISION CO., LIMITED**  
 香港星坤工業精密有限公司

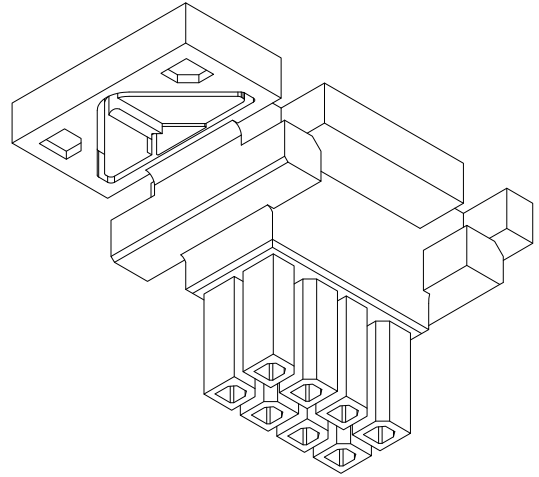
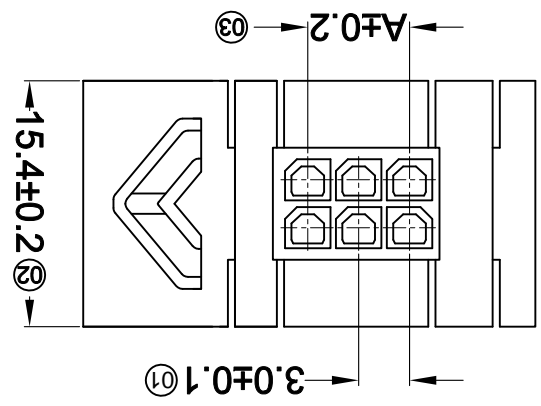
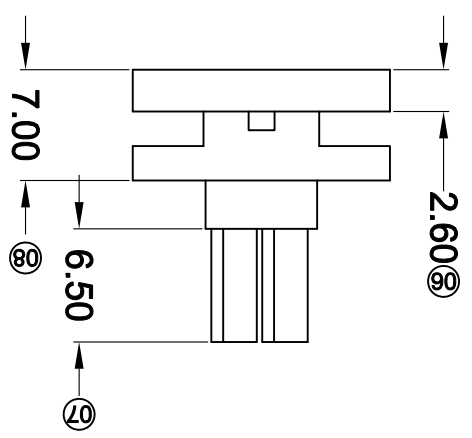
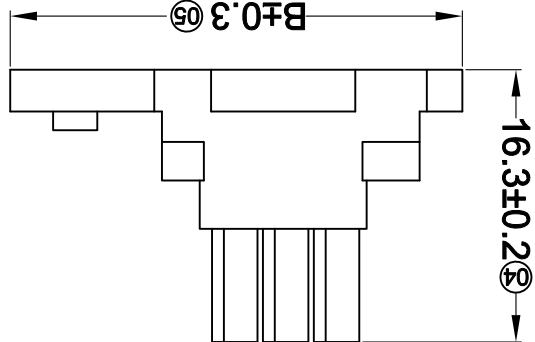
Authorized Signature(s)

MARK	DESCRIPTION	DATE	REVISED	APPROVED	UNSPECIFIED TOLERANCES
△ X					L > 63 ±0.5
△ X					16 < L ≤ 63 ±0.4
△ X					4 < L ≤ 16 ±0.3
					L ≤ 4 ±0.2
					ANGULAR ±5°

DATE	SCALE: N/A	VIEW:	DATE	DATE	SIZE: A4
DNSD					
DWN					
CHKD					
APPD					

WEIGHT	SHEET	REVISION
1.0g	1/1	A0

MODEL TYPE: X3025HF-2\*XXWS-N2  
 PART NO.:  
 3.00 mm Crimp Style Connectors  
 DWG NO.:



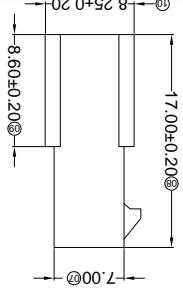
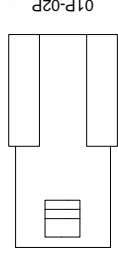
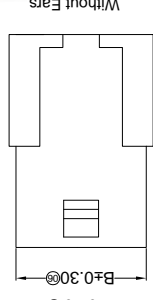
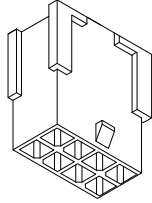
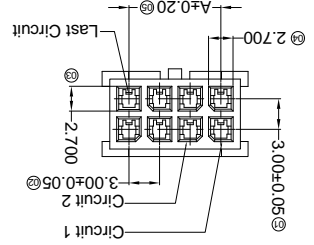
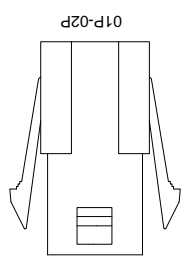
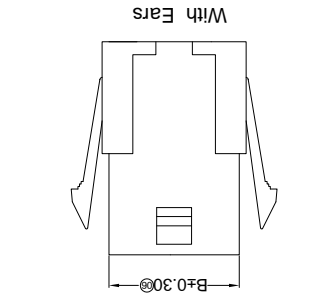
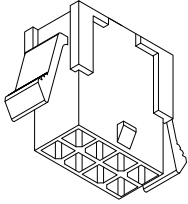
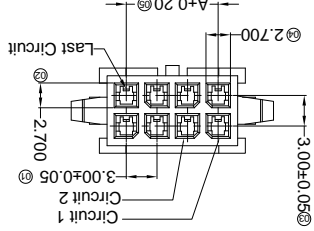
Poles	Dimensions(mm)		Poles	A	B
	A	B			
2*02	3.00	24.85	2*08	21.00	42.85
2*03	6.00	27.85	2*09	24.00	45.85
2*04	9.00	30.85	2*10	27.00	48.85
2*05	12.00	33.85	2*11	30.00	51.85
2*06	15.00	36.85	2*12	33.00	54.85
2*07	18.00	39.85			

- ① Series No.
- ② Category: H-HSG
- ③ Welding Board Angle: F-Female HSG
- ④ Row No.-Pin No.: 2\*XX-2\*02P~2\*12P
- ⑤ Plug the Pin & special No.: WS-With Base
- ⑥ Material: N2-PA66 94V-2;
- ⑦ Color: Blank-natural color

X3025 H F-2\*XX WS-N2 XX

- Specifications :
- Voltage rating: 250V AC / DC
  - Current rating: 5A AC / DC
  - Withstanding voltage: 1500V AC/minute
  - Temperature range: -25°C~+85°C
  - Insulation resistance: ≥1000MΩ
  - Contact resistance: ≤10mΩ
  - After environmental testing: ≤17mΩ

RoHS  
Lead-free

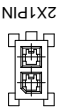
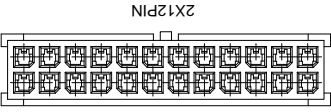
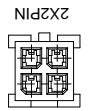
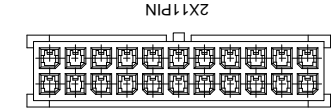
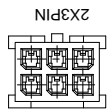
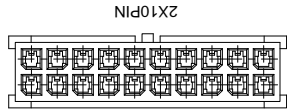
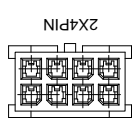
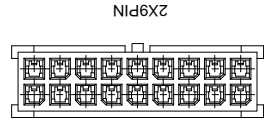


01P-02P

REVISIONS  
(Unauthorized Signatures)

MARK	DESCRIPTION	DATE	REVISED	APPROVED	UNSPECIFIED TOLERANCES
△ X					$L > 63$ $\pm 0.5$
△ X					$16 < L \leq 63$ $\pm 0.4$
△ X					$4 < L \leq 16$ $\pm 0.3$
△ X					$L \leq 4$ $\pm 0.2$
					ANGULAR $\pm 5^\circ$

For and on behalf of  
XKB INDUSTRIAL PRECISION CO., LIMITED  
香港星坤工業精密有限公司



- Specifications :
- Voltage rating: 250V AC / DC
  - Current rating: 5A AC / DC
  - Withstanding voltage: 1000V AC/minute
  - Temperature range:  $-25^\circ\text{C} \sim +85^\circ\text{C}$
  - Insulation resistance:  $\geq 1000\text{M}\Omega$
  - Contact resistance:  $\leq 10\text{m}\Omega$
  - After environmental testing:  $\leq 20\text{m}\Omega$

X3025 H F-2\*XX XX-N2 XX  
① ② ③ ④ ⑤ ⑥ ⑦

- Series No.
- Category: H-HSG
- Welding Board Angle: F-Female HSG
- Row No.-Pin No.: 2\*XX-2\*01P-2\*12P
- Plug the Pin & special No.: I-Without Ears  
G-With Ears
- Material: N2-PA66 94V-2;  
⑦ Color: Blank-Natural Color

Poles	A	B	Dimensions(mm)	
			A	B
2*01	18.00	22.00	2*07	4.00
2*02	3.00	7.00	2*08	7.00
2*03	6.00	10.00	2*09	10.00
2*04	9.00	13.00	2*10	13.00
2*05	12.00	16.00	2*11	16.00
2*06	15.00	19.00	2*12	19.00

PART NO	Material	Suitable SWB Terminal	Mates With XKB Housing	Note
X3025HF-2*XXG-N2	Nylon 66 94V-2	X3025TM	X3025HM	With Ears
X3025HF-2*XXI-N2	Nylon 66 94V-2	X3025TM	X3025HM	Without Ears

DSND	DATE	SCALE: N/A	MODEL TYPE: X3025HF-2*XXX-N2
DWN <th>DATE</th> <th>VIEW:</th> <th>PART NO.:</th>	DATE	VIEW:	PART NO.:
CHKD <th>DATE</th> <th>UNIT: mm</th> <th>DWG NO.:</th>	DATE	UNIT: mm	DWG NO.:
APPD <th>DATE</th> <th>SIZE: A4</th> <th>REVISION</th>	DATE	SIZE: A4	REVISION

WEIGHT	SHEET	REVISION
1.0g	1/1	A0

XKB INDUSTRIAL PRECISION CO., LIMITED

REVISIONS  
~~Authorized Signatures~~

MARK	DESCRIPTION	DATE	REVISED	APPROVED	UNSPECIFIED TOLERANCES
△ X					L > 63 ± 0.5
△ X					16 > L ≤ 63 ± 0.4
△ X					4 < L ≤ 16 ± 0.3
△ X					L ≤ 4 ± 0.2
					ANGULAR ± 5°

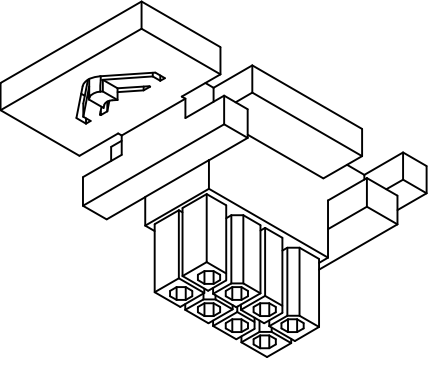
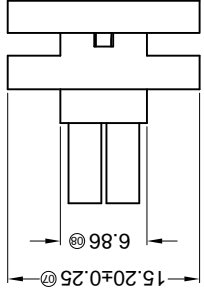
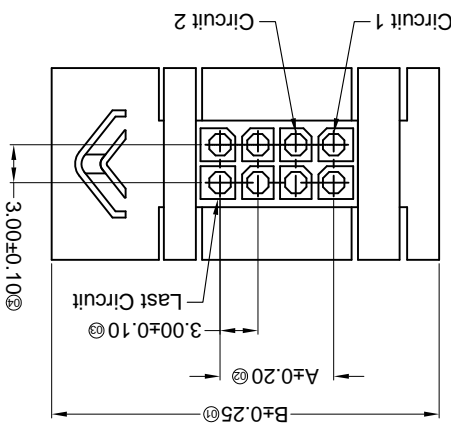
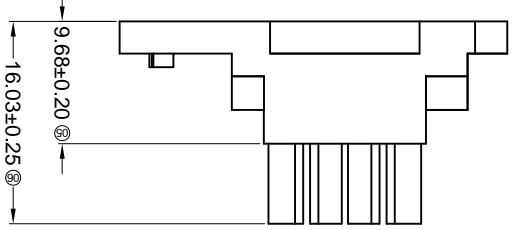
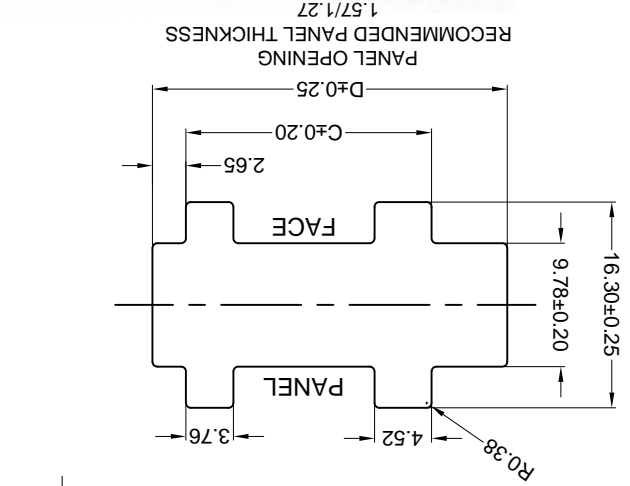
For and on behalf of  
**XKB INDUSTRIAL PRECISION CO., LIMITED**  
 香港星坤工業精密有限公司

**XKB INDUSTRIAL PRECISION CO., LIMITED**

WEIGHT	1.0g	SHEET	1/1	REVISION	A0
SIZE	A4	DATE		DATE	
UNIT	mm	DATE		DATE	
VIEW	VIEW: ①	DATE		DATE	
SCALE	N/A	DATE		DATE	

MODEL TYPE: X3025HM-2\*XXWS-N2  
 PART NO.:  
 3.00 mm Crimp Style Connectors  
 DWG NO.:

PART NO	Material	Suitable SWB Terminal	Mates With XKB Wafer
X3025HM-2*XXWS-N2	Nylon 66 94V-2	X3025TF	X3025W



Poles	A	B	C	D
2*02	3.00	24.60	13.46	22.10
2*03	6.00	27.70	16.46	25.10
2*04	9.00	30.70	19.46	28.10
2*05	12.00	33.80	22.46	31.10
2*06	15.00	36.80	25.46	34.10
2*07	18.00	39.90	28.46	37.10
2*08	21.00	42.90	31.46	40.10
2*09	24.00	46.00	34.46	43.10
2*10	27.00	49.00	37.46	46.10
2*11	30.00	51.80	40.46	49.10
2*12	33.00	54.90	43.46	52.10

- ① Series No.
- ② Category: H-HSG
- ③ Welding Board Angle: M-Male HSG
- ④ Row No.-Pin No.: 2\*XX-2\*02P~2\*10P
- ⑤ Plug the Pin & special No.: WS-With Base
- ⑥ Material: N2-PA66 94V-2;
- ⑦ Color: Blank-natural color Black

X3025 H M-2\*XX WS-N2 XX

- Specifications :
- Voltage rating: 250V AC / DC
- Current rating: 5A AC / DC
- Withstanding voltage: 1500V AC/minute
- Temperature range: -25°C~+85°C
- Insulation resistance: ≥1000MΩ
- Contact resistance: ≤10mΩ
- After environmental testing: ≤20mΩ

Authorized Signatures

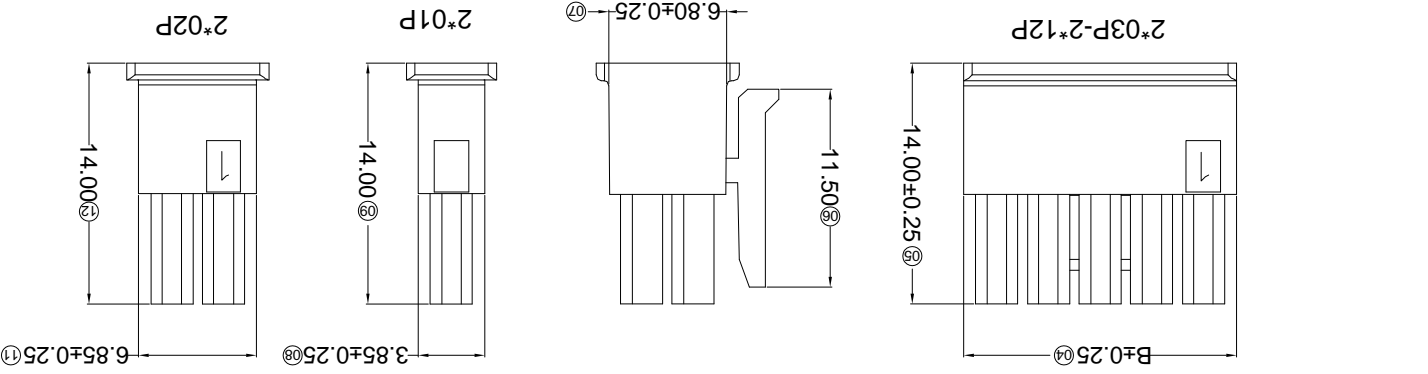
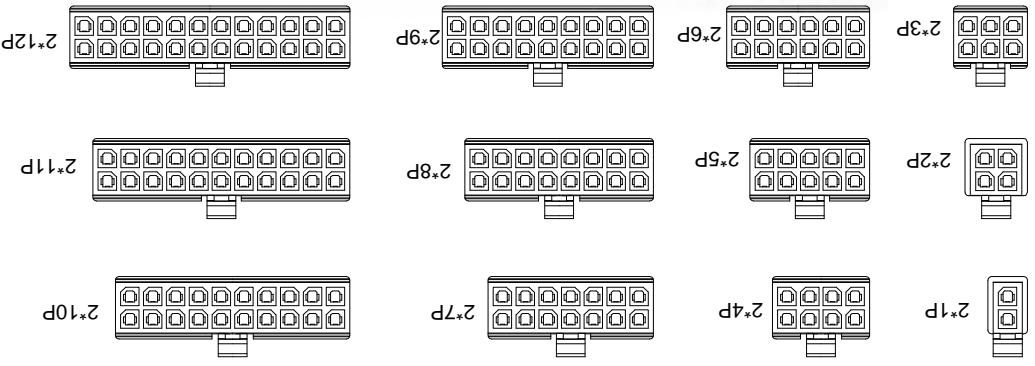
For and on behalf of  
KXB INDUSTRIAL PRECISION CO., LIMITED  
香港星坤工業精密有限公司

MARK	DESCRIPTION	DATE	REVISED	APPROVED	UNSPECIFIED TOLERANCES
△ X					L > 63 ± 0.5
△ X					16 < L ≤ 63 ± 0.4
△ X					4 < L ≤ 16 ± 0.3
					L ≤ 4 ± 0.2
					ANGULAR ± 5°

DATE	SCALE: N/A	MODEL TYPE: X3025HM-2*XX-N2	PART NO.:	VIEW:	DATE	DWN	DATE	CHKD	DATE	APPD	SIZE: A4	WEIGHT: 1.0g	SHEET: 1/1	REVISION: A0

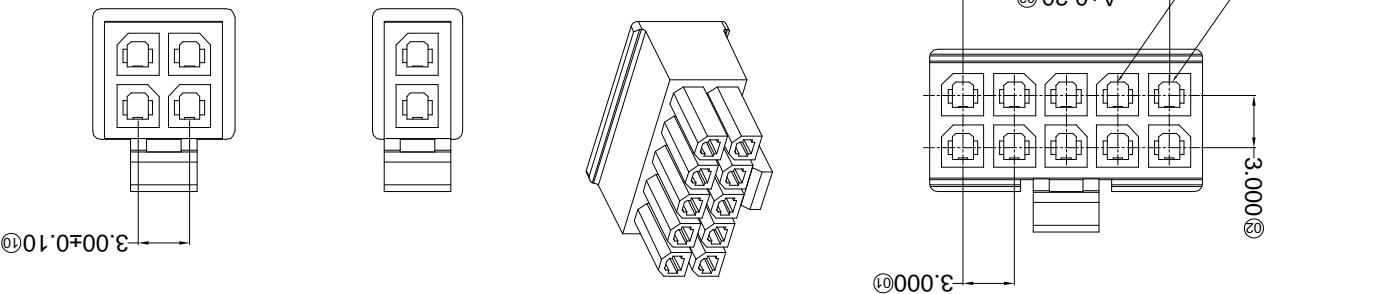
PART NO	Material	Suitable SWB Terminal	Mates With XKB Water
X3025HM-2*XX-N2	Nylon 66 94V-2	X3025TF	X3025W

Poles	Dimensions(mm)		Poles	Dimensions(mm)	
	A	B		A	B
2*01			2*07	18.00	21.85
2*02				21.00	24.85
2*03	6.00	9.85	2*09	24.00	27.85
2*04	9.00	12.85	2*10	27.00	30.85
2*05	12.00	15.85	2*11	30.00	33.85
2*06	15.00	18.85	2*12	33.00	36.85



- ① Series No.
  - ② Category: H-HSG
  - ③ Welding Board Angle: M-Male HSG
  - ④ Row No.-Pin No.: 2\*XX-2\*01P~2\*12P
  - ⑤ Plug the Pin & special No.:
  - ⑥ Material: N2-PA66 94V-2;
  - ⑦ Color: Blank-Natural Color
- X3025 H M-2\*XX XX-N2 XX

- Voltage rating: 250V AC / DC
- Current rating: 5A AC / DC
- Withstanding voltage: 1000V AC/minute
- Temperature range: -25°C~+85°C
- Insulation resistance: ≥1000MΩ
- Contact resistance: ≤10mΩ
- After environmental testing: ≤20mΩ



Specifications :

*for and on behalf of*  
**KXB INDUSTRIAL PRECISION CO., LIMITED**  
香港星坤工業精密有限公司  
REVISIONS  
*Authorized Signatures(s)*

MARK	DESCRIPTION	DATE	REVISION	APPROVED	UNSPECIFIED TOLERANCES
△ X					L > 63 ±0.5
△ X					16 > L ≤ 63 ±0.4
△ X					4 < L ≤ 16 ±0.3
△ X					L ≤ 4 ±0.2
					ANGULAR ±5°

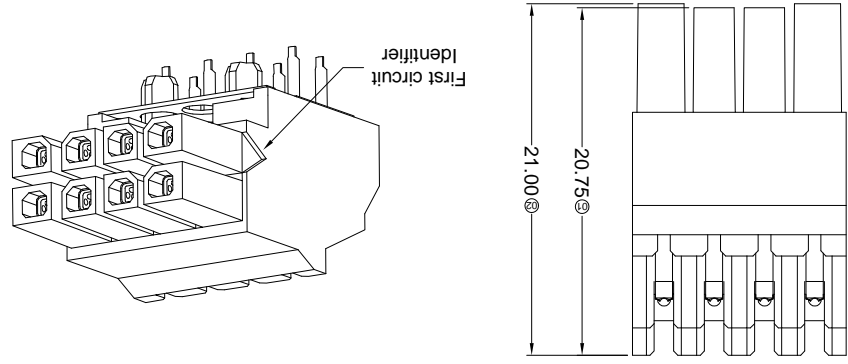
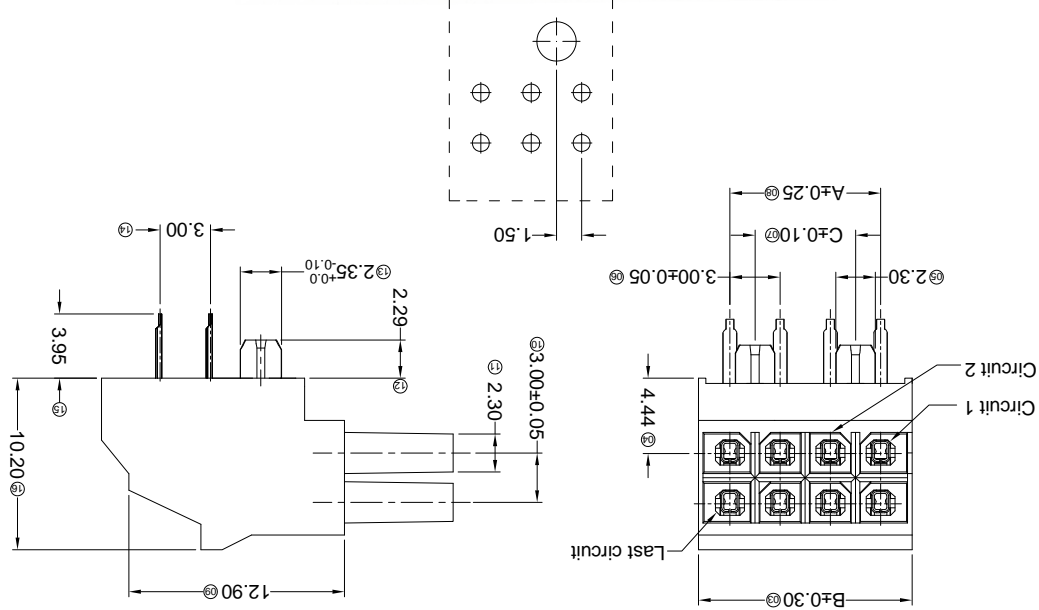
REVISION	SHEET	WEIGHT	SIZE	DATE	DATE	DATE	DATE
A0	1/1	1.0g	A4				

DNSD	DWN	CHKD	APPD
DATE	DATE	DATE	DATE
SCALE: N/A	VIEW: 	UNIT: mm	SIZE: A4

MODEL TYPE: X3025HR-2\*XX-LPSN  
PART NO.:  
3.00 mm Crimp Style Connectors  
DWG NO.:

Part No.	Material	Material(Pin)	Finish(Pin)	Mates With
X3025HR-2*XX-LPSN	LCP UL 94V-0	Brass	Tin-Plated	X3025HW or 3025H Mates With XKB Housing

Poles	Dimensions(mm)			Poles	Dimensions(mm)								
	A	B	C		A	B	C						
2'02	3.00	6.70	2'08	21.00	24.70	18.00	2'02	3.00	6.70	2'08	21.00	24.70	18.00
2'03	6.00	9.70	2'09	24.00	27.70	21.00	2'03	6.00	9.70	2'09	24.00	27.70	21.00
2'04	9.00	12.70	2'10	27.00	30.70	24.00	2'04	9.00	12.70	2'10	27.00	30.70	24.00
2'05	12.00	15.70	2'11	30.00	33.70	27.00	2'05	12.00	15.70	2'11	30.00	33.70	27.00
2'06	15.00	18.70	2'12	33.00	36.70	30.00	2'06	15.00	18.70	2'12	33.00	36.70	30.00
2'07	18.00	21.70	2'13	36.00	39.70	33.00	2'07	18.00	21.70	2'13	36.00	39.70	33.00



- Specifications :
- Voltage rating: 250V AC / DC
  - Current rating: 5A AC / DC
  - Withstanding voltage: 1000V AC/minute
  - Temperature range: -25°C~+85°C
  - Insulation resistance:  $\geq 1000M\Omega$
  - Contact resistance:  $\leq 10m\Omega$
  - After environmental testing:  $\leq 20m\Omega$
- ① Series No.  
② Category: H-HSG  
③ Welding Board Angle: BOARD-IN-R-90°  
④ Row No.-Pin No.: 2\*XX-2\*02P~2\*12P  
⑤ Plug the Pin & special No.:  
⑥ Material: LP-LCP 94V-0;  
⑦ Plating Category: SN-Bright tin plating  
⑧ Color: Blank-Natural Color
- X3025 H R-2\*XX LP SN XX  
① ② ③ ④ ⑤ ⑥ ⑦ ⑧

For and on behalf of  
**KXB INDUSTRIAL PRECISION CO., LIMITED**  
 香港星坤工業精密有限公司

MARK	DESCRIPTION	DATE	REVISIONS	UNSPECIFIED TOLERANCES
△ X				L > 63 ±0.5
△ X				16 < L ≤ 63 ±0.4
△ X				4 < L ≤ 16 ±0.3
△ X				L ≤ 4 ±0.2
				ANGULAR ±5°

REVISIONS	DATE	APPROVED	REVISED	DESCRIPTION

MARK	DESCRIPTION	DATE	REVISIONS
△ X			
△ X			
△ X			

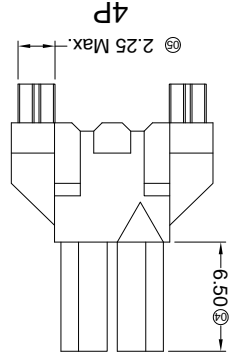
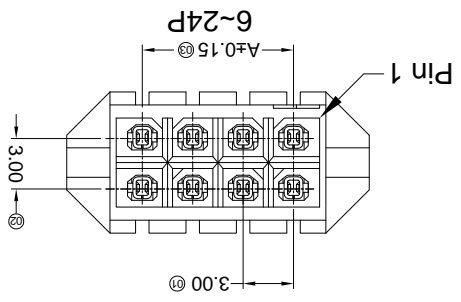
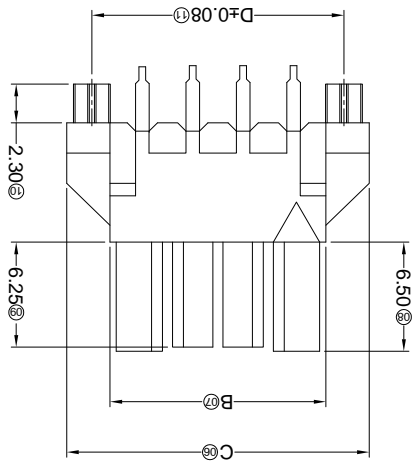
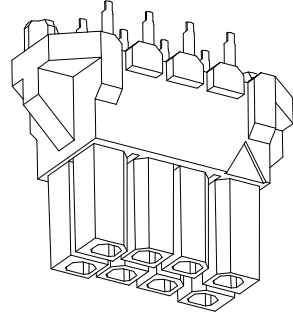
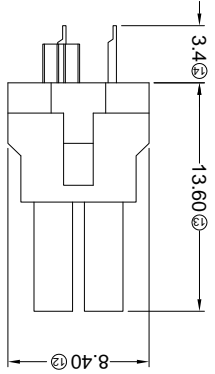
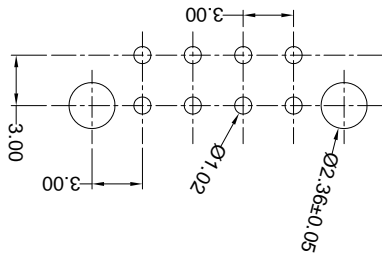
Part No.	Material	Material(Pin)	Finish(Pin)	Mates With
X3025HV-2*XX-LPSN	LCP UL 94V-0	Brass	Tin-Plated	X3025HW or 3025H Mates With KXB Housing

Poles	Dimensions(mm)			
	A	B	C	D
2*02	3.00	6.85	12.00	9.00
2*03	6.00	9.85	15.00	12.00
2*04	9.00	12.85	18.00	15.00
2*05	12.00	15.85	21.00	18.00
2*06	15.00	18.85	24.00	21.00
2*07	18.00	21.85	27.00	24.00
2*08	21.00	24.85	30.00	27.00
2*09	24.00	27.85	33.00	30.00
2*10	27.00	30.85	36.00	33.00
2*11	30.00	33.85	39.00	36.00
2*12	33.00	36.85	42.00	39.00

- ① Series No.
  - ② Category: H-HSG
  - ③ Welding Board Angle: BOARD-IN: V-180°
  - ④ Row No.-Pin No.: 2\*XX-2\*02P~2\*12P
  - ⑤ Plug the Pin & special No.:
  - ⑥ Material: LP-LCP 94V-0;
  - ⑦ Plating Category: SN-Bright tin plating
  - ⑧ Color: Blank-Natural Color
- X3025 H V-2\*XX LP SN XX

- Specifications:
- Voltage rating: 250V AC / DC
  - Current rating: 5A AC / DC
  - Withstanding voltage: 1000V AC/minute
  - Temperature range: -25°C~+85°C
  - Insulation resistance: ≥1000MΩ
  - Contact resistance: ≤10mΩ
  - After environmental testing: ≤20mΩ

Recommended P.C.B Layout





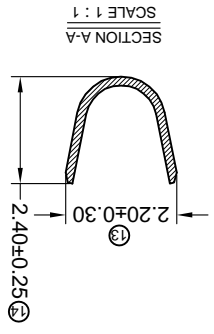
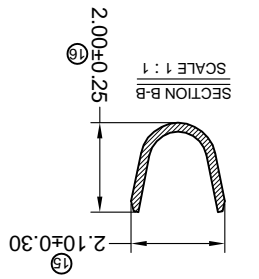
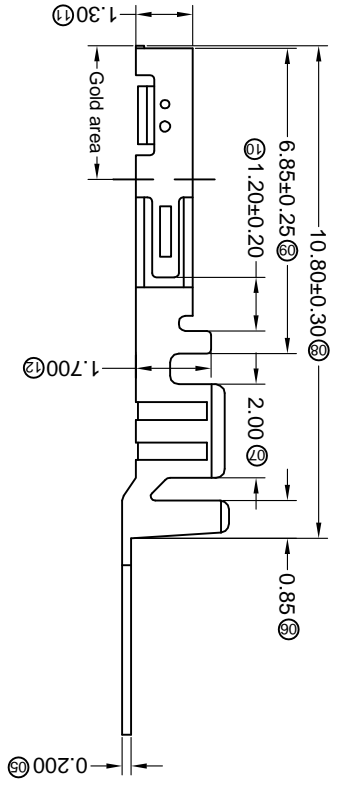
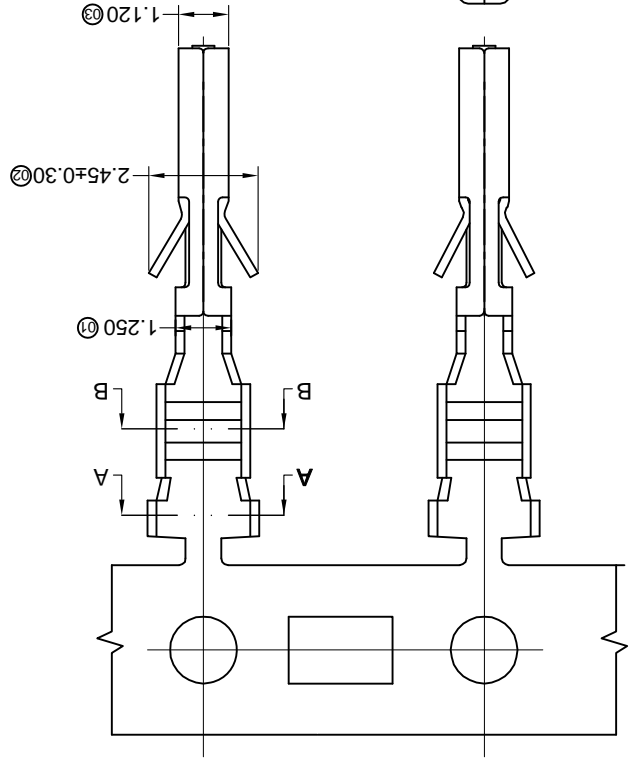
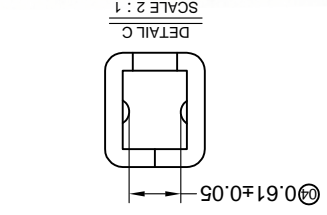
For and on behalf of  
**XKB INDUSTRIAL PRECISION CO., LIMITED**  
 香港星坤工業精密有限公司

REVISIONS  
 Authorized Signature(s)

MARK	DESCRIPTION	DATE	REVISED	APPROVED	UNSPECIFIED TOLERANCES
△ X					L > 63 ± 0.5
△ X					16 > L ≤ 63 ± 0.4
△ X					4 < L ≤ 16 ± 0.3
△ X					L ≤ 4 ± 0.2
					ANGULAR ± 5°

DATE	DATE	DATE	DATE	DATE	DATE	DATE	DATE	DATE
DNSD	DWN	CHKD	APPD					
SCALE: N/A	VIEW:	UNIT: mm	SIZE: A4					
MODEL TYPE: X3025TF-PXXX	PART NO.:	3.00 mm Crimp Style Connectors		DWG NO.:				
WEIGHT: 1.0g	SHEET: 1/1	REVISION		A0				

PART NO	Material	Wire Range	Insulation O.D.	Finish	Used in XKB Housing
X3025TF-PG30	Phosphor Bronze	AWG#20-24	1.85mm(Max)	Stamping Before Plating:30~50u" Ni;Contact Area Gold:30u" Min.	X3025HM
X3025TF-PG15				Stamping Before Plating:30~50u" Ni;Contact Area Gold:15u" Min.	
X3025TF-PG01				Stamping Before Plating:30~50u" Ni;Contact Area Gold Flash	
X3025TF-PSN				Stamping Before Plating:30~50u" Ni;70~120u" Sn	



■ Specifications :

- Voltage rating: 250V AC / DC
- Current rating: 5A AC / DC
- Withstanding voltage: 1000V AC/minute
- Temperature range: -40°C~+85°C
- Insulation resistance: ≥1000MΩ
- Contact resistance: ≤10mΩ
- After environmental testing: ≤20mΩ

X3025 T F-P XX X-X  
 ①① Series Number  
 ①② Category: T-terminal  
 ①③ Shape: F-Female Terminal  
 ①④ Material: P-Phosphor bronze  
 ①⑤ Plating style:  
 ①⑥ G-Gold-Plated Contact  
 \*01-Gold Flash \*15-15u" \*30-30u"  
 SN-Bright tin plating 70-120u"  
 ①⑦ Plating method:  
 Blank-Stamping before plating  
 ①⑧ Mold No./Mark/Special No.

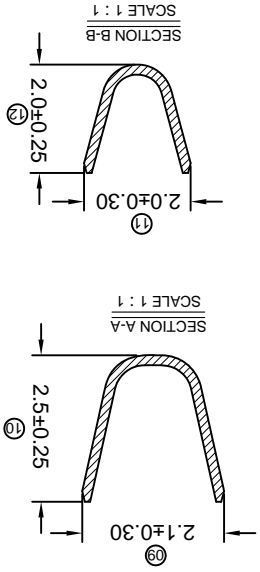
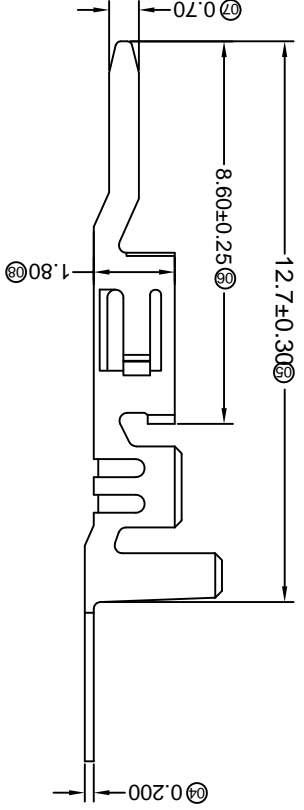
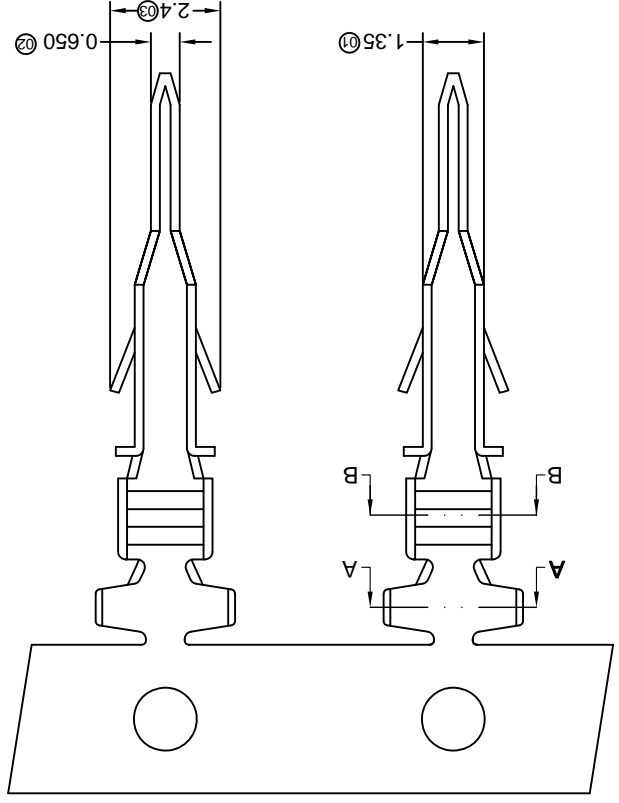
REVISIONS  
*Authorized Signature(s)*

For and on behalf of  
**XKB INDUSTRIAL PRECISION CO., LIMITED**  
香港星坤工業精密有限公司

MARK	DESCRIPTION	DATE	REVISED	APPROVED	UNSPECIFIED TOLERANCES
△ X					L > 63
△ X					16 > L ≤ 63
△ X					4 < L ≤ 16
					L ≤ 4
					ANGULAR
					± 5°

DATE	SCALE: N/A	MODEL TYPE: X3025TM-PXX
DATE	VIEW:	PART NO.:
DATE	UNIT: mm	DWG NO.:
DATE	SIZE: A4	REVISION
DATE		SHEET
DATE		1/1
DATE		WEIGHT
DATE		1.0g
DATE		REVISION
DATE		A0

PART NO	Material	Wire Range	Insulation O.D.	Finish
X3025TM-PSN	Phosphor Bronze	AWG#20-24	1.85mm(Max)	Stamping Before Plating:30u" Ni;70u" Sn
X3025TM-PG01				Stamping Before Plating:30u" Ni>Contact Area Gold Flash
X3025TM-PG15				Stamping Before Plating:30u" Ni>Contact Area Gold:15u" Min.
X3025TM-PG30				Stamping Before Plating:30u" Ni>Contact Area Gold:30u" Min.



- Specifications :**
- Voltage rating: 250V AC / DC
  - Current rating: 5A AC / DC
  - Withstanding voltage: 1000V AC/minute
  - Temperature range: -25°C~+85°C
  - Insulation resistance: ≥1000MΩ
  - Contact resistance: ≤10mΩ
  - After environmental testing: ≤20mΩ
- X3025 T-M-P XX X-X**
- ① Series Number
  - ② Category: T-terminal
  - ③ Shape: M-Male Terminal
  - ④ Material: P-Phosphor bronze
  - ⑤ Plating style: G-Gold-Plated Contact
  - ⑥ Plating method: SN-Bright tin plating 70u"
  - ⑦ \*01-Gold Flash \*15-15u" \*30-30u"
  - ⑧ Mold No./Mark/Special No.

A B C D E F

8

7

6

5

4

3

2

1

8

7

6

5

4

3

2

1



REVISIONS  
 (Authorized Signatures)

MARK	DESCRIPTION	DATE	REVISED	APPROVED	UNSPECIFIED TOLERANCES
△ X					L > 63 ± 0.5
△ X					16 > L ≤ 63 ± 0.4
△ X					4 < L ≤ 16 ± 0.3
△ X					L ≤ 4 ± 0.2
					ANGULAR ± 5°

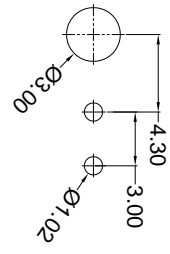
For and on behalf of  
 XKB INDUSTRIAL PRECISION CO., LIMITED  
 香港星坤工業精密有限公司

XKB INDUSTRIAL PRECISION CO., LIMITED

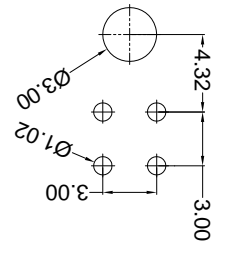
MODEL TYPE:	X3025WR-2*XX-N0XXX
PART NO.:	3.00 mm Crimp Style Connectors
DWG NO.:	
SIZE:	A4
UNIT:	mm
VIEW:	VIEW: ①
SCALE:	N/A
DATE:	
DATE:	
DATE:	
WEIGHT:	1.0g
SHEET:	1/1
REVISION:	A0

Part No.	Material	Material(Pin)	Finish(Pin)	Mates With XKB Housing
X3025WR-2*XX-N0NSN	Nylon 66 UL 94V-0	Brass	Tin-Plated	X3025H
X3025WR-2*XX-N0G01	Nylon 66 UL 94V-0	Brass	Contact Gold	

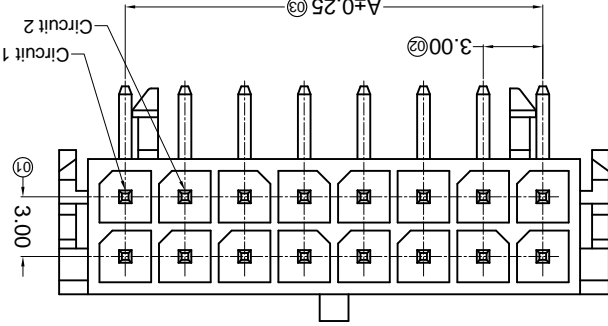
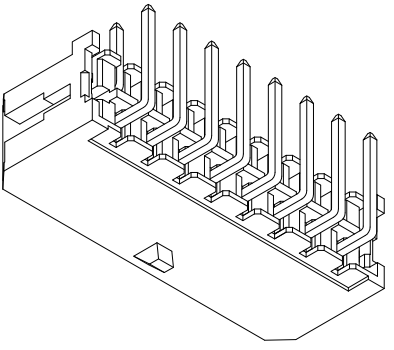
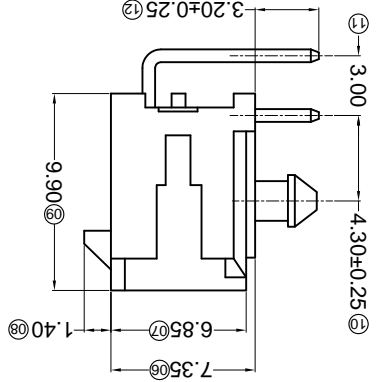
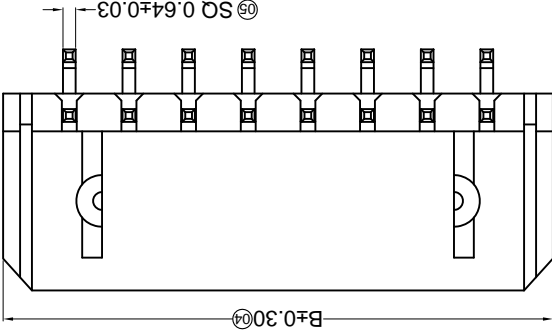
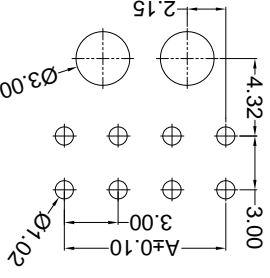
2P P.C.B LAYOUT



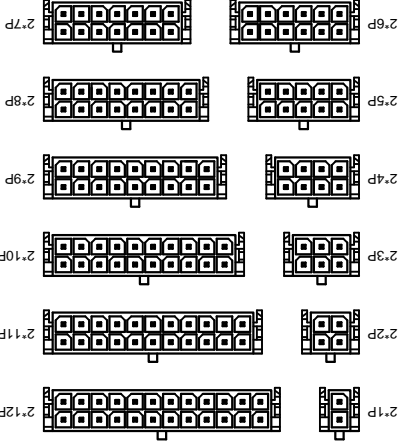
4P-6P P.C.B LAYOUT



8P-24P P.C.B LAYOUT



Scale 1:3



Dimensions (mm)	A	B
2*01	---	6.65
2*02	3.00	9.65
2*03	6.00	12.65
2*04	9.00	15.65
2*05	12.00	18.65
2*06	15.00	21.65
2*07	18.00	24.65
2*08	21.00	27.65
2*09	24.00	30.65
2*10	27.00	33.65
2*11	30.00	36.65
2*12	33.00	39.65

- ① Series No.
- ② Category: W-water
- ③ Welding Board Angle: R-90°
- ④ Welding Way: Blank-DIP
- ⑤ Row No.-Pin No.: 2\*XX-2\*01P-2\*12P
- ⑥ Special NO.:
- ⑦ Material: N0-PA66 94V-0
- ⑧ Plating Category: G01-Contact Gold Flash;
- ⑨ Color: Blank-natural color
- ⑩ SN-Bright tin plating
- ⑪ X3025 WR X-2\*XX X-N0 XX XX
- ⑫ ⑬ ⑭ ⑮ ⑯ ⑰ ⑱ ⑲ ⑳ ㉑ ㉒ ㉓ ㉔ ㉕ ㉖ ㉗ ㉘ ㉙ ㉚ ㉛ ㉜ ㉝ ㉞ ㉟ ㊱ ㊲ ㊳ ㊴ ㊵ ㊶ ㊷ ㊸ ㊹ ㊺ ㊻ ㊼ ㊽ ㊾ ㊿

- Specifications :
- Voltage rating: 250V AC / DC
- Current rating: 5A AC / DC
- Withstanding voltage: 1000V AC/minute
- Temperature range: -25°C~+85°C
- Insulation resistance: ≥1000MΩ
- Contact resistance: ≤10mΩ
- After environmental testing : ≤20mΩ

For and on behalf of  
**XKB INDUSTRIAL PRECISION CO., LIMITED**  
 香港星坤工業精密有限公司

REVISIONS  
 Authorized Signature(s)

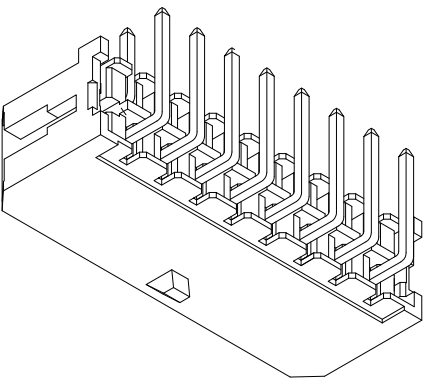
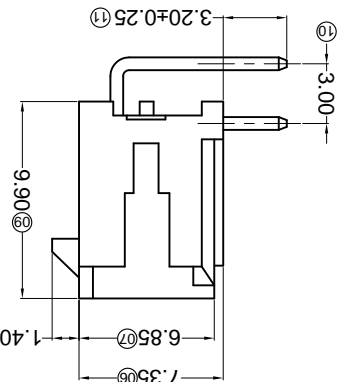
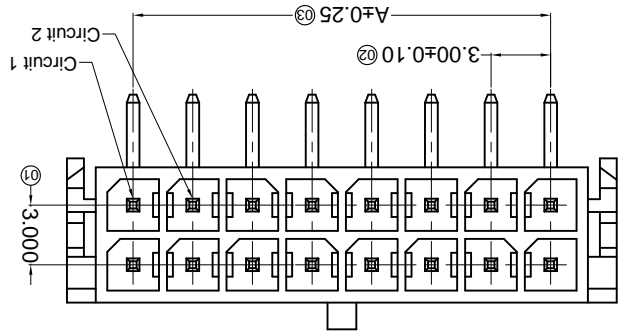
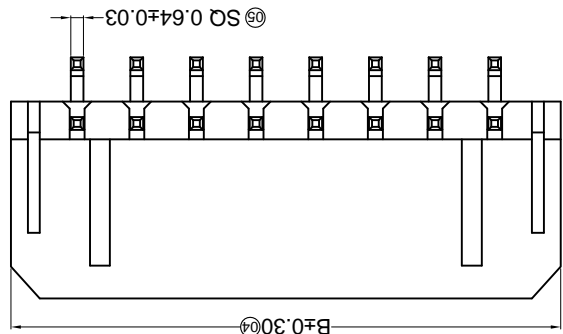
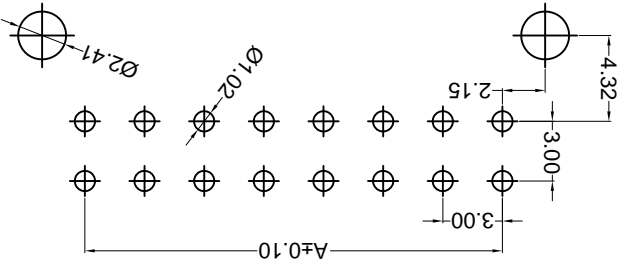
MARK	DESCRIPTION	DATE	REVISED	APPROVED	UNSPECIFIED TOLERANCES
△ X					L > 63 ±0.5
△ X					16 < L ≤ 63 ±0.4
△ X					4 < L ≤ 16 ±0.3
					L ≤ 4 ±0.2
					ANGULAR ±5°

MODEL TYPE	SCALE	DATE	DATE	DATE	DATE	SIZE
X3025WR-2*XXB-XXSN	N/A					A4
PART NO.:	VIEW:	DATE	DATE	DATE	DATE	UNIT: mm
300 mm Crimp Style Connectors						
DWG NO.:						
WEIGHT	SHEET					
1.0g	1/1					
REVISION						
A0						

Poles	Dimensions (mm)		Poles		Dimensions (mm)	
	A	B	A	B	A	B
2*01	---	6.65	2*07	18.00	24.65	24.65
2*02	3.00	9.65	2*08	21.00	27.65	27.65
2*03	6.00	12.65	2*09	24.00	30.65	30.65
2*04	9.00	15.65	2*10	27.00	33.65	33.65
2*05	12.00	18.65	2*11	30.00	36.65	36.65
2*06	15.00	21.65	2*12	33.00	39.65	39.65

Part No.	Material	Material(Pin)	Finish(Pin)	Mates With XKB Housing
X3025WR-2*XXB-LPSN	LCP UL 94V-0	Brass	Tin-Plated	X3025H
X3025WR-2*XXB-46SN	Nylon 46 UL 94V-0			
X3025WR-2*XXB-N0SN	Nylon 66 UL 94V-0			

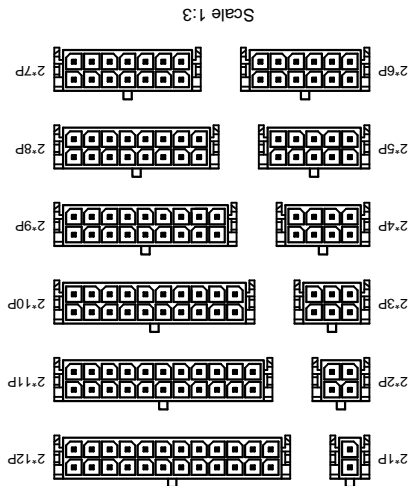
Recommended P.C.B Layout  
 General Tolerance±0.05



**Specifications :**

- Voltage rating: 250V AC / DC
- Current rating: 5A AC / DC
- Withstanding voltage: 1000V AC/minute
- Temperature range: -25°C~+85°C
- Insulation resistance: ≥1000MΩ
- Contact resistance: ≤10mΩ
- After environmental testing: ≤20mΩ

X3025 W R X-2\*XX B-XX XX XX  
 ① Series No.  
 ② Category: W-water  
 ③ Welding Board Angle: R-90°  
 ④ Welding Way: Blank-DIP  
 ⑤ Row No.-Pin No.: 2\*XX-2\*01P-2\*12P  
 ⑥ Special NO.: B-Without positioning column  
 ⑦ Material: 46-PA46 94V-0 N0-PA66 94V-0 LP-LCP 94V-0  
 ⑧ Plating Category: SN-Bright tin plating  
 ⑨ Color: Blank-natural color



For and on behalf of  
**KXB INDUSTRIAL PRECISION CO., LIMITED**  
 香港星坤工業精密有限公司

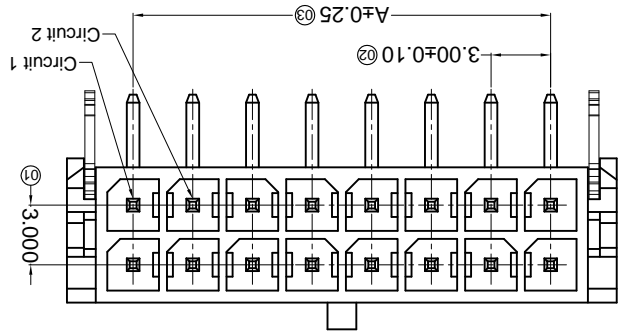
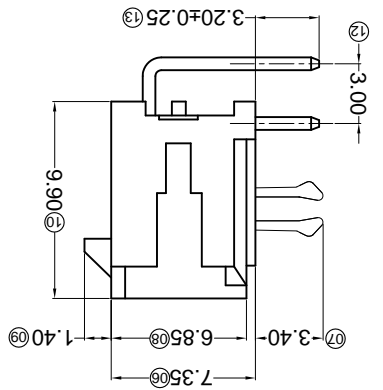
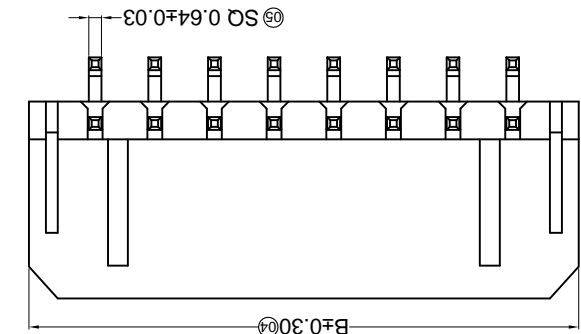
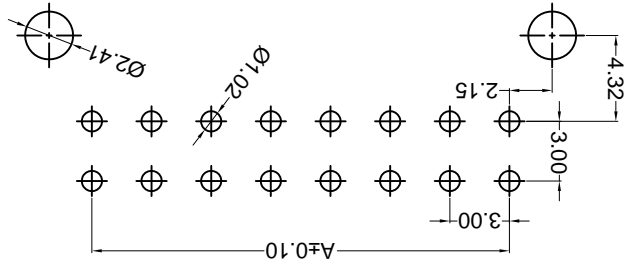
MARK	DESCRIPTION	DATE	REVISED	APPROVED	UNSPECIFIED TOLERANCES
△ X					L > 63
△ X					16 < L ≤ 63
△ X					4 < L ≤ 16
△ X					L ≤ 4
					ANGULAR
					± 5°

REVISIONS  
 Authorized Signature(s)

MARK	DESCRIPTION	DATE	REVISED	APPROVED	UNSPECIFIED TOLERANCES
△ X					L > 63
△ X					16 < L ≤ 63
△ X					4 < L ≤ 16
△ X					L ≤ 4
					ANGULAR
					± 5°

MODEL TYPE:	SCALE: N/A	DATE	DATE	DATE	DATE
X3025WR-2*XXC-XXX					
PART NO.:	VIEW:	DATE	DATE	DATE	DATE
3.00 mm Crimp Style Connectors					
DWG NO.:	UNIT: mm	DATE	DATE	DATE	DATE
SIZE: A4					
WEIGHT	SHEET	REVISION			
1.0g	1/1	A0			

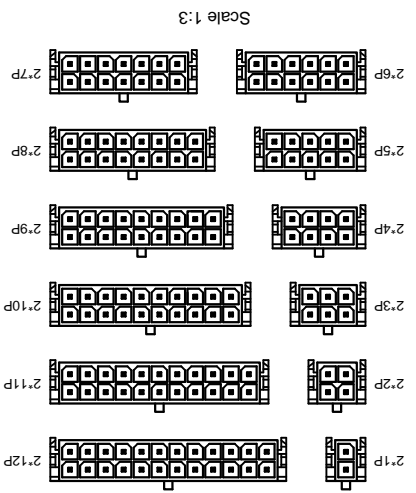
Recommended P.C.B Layout  
 General Tolerance±0.05



■ Specifications :

- Voltage rating: 250V AC / DC
- Current rating: 5A AC / DC
- Withstanding voltage: 1000V AC/minute
- Temperature range: -25°C~+85°C
- Insulation resistance: ≥1000MΩ
- Contact resistance: ≤10mΩ
- After environmental testing: ≤20mΩ

- ① Series No.
- ② Category: W-water
- ③ Welding Board Angle: R-90°
- ④ Welding Way: Blank-DIP
- ⑤ Row No.-Pin No.: 2\*XX-2\*01P~2\*12P
- ⑥ Special NO.: C-The harpoon
- ⑦ Material:
- ⑧ 46-PA46 94V-0 NO-PA66 94V-0 LP-LCP 94V-0 Planting Category:
- ⑨ G\*:Gold-Plated Contact \*02-2u"
- ⑩ SN-Bright tin plating 70u"
- ⑪ Color: Blank-natural color



Poles	A	B	Dimensions (mm)
2*01	---	6.65	
2*02	3.00	9.65	
2*03	6.00	12.65	
2*04	9.00	15.65	
2*05	12.00	18.65	
2*06	15.00	21.65	
2*07	18.00	24.65	
2*08	21.00	27.65	
2*09	24.00	30.65	
2*10	27.00	33.65	
2*11	30.00	36.65	
2*12	33.00	39.65	

Part No.	Material	Material(Pin)	Finish(Pin)	Mates With(XB Housing)
X3025WR-2*XXC-N0S2	Nylon 66 UL 94V-0	Brass	Gold Flash	X3025H
X3025WR-2*XXC-LP5N	LCP UL 94V-0	Brass	Tin-Plated	
X3025WR-2*XXC-46SN	Nylon 46 UL 94V-0	Brass	Tin-Plated	
X3025WR-2*XXC-N0SN	Nylon 66 UL 94V-0	Brass	Tin-Plated	

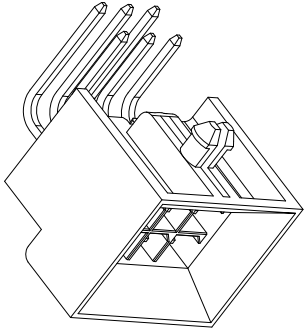
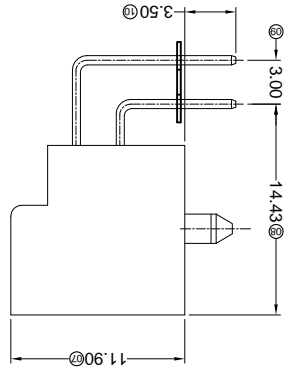
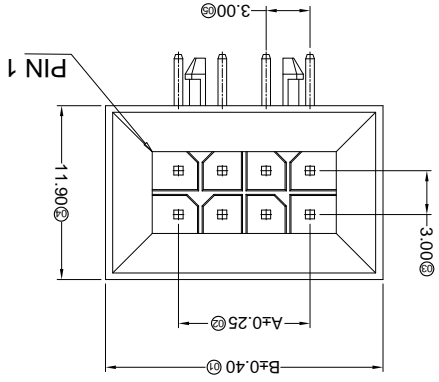
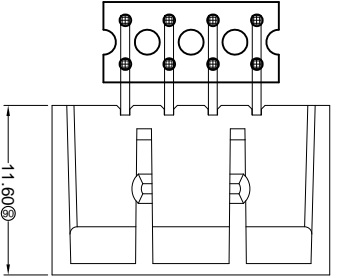
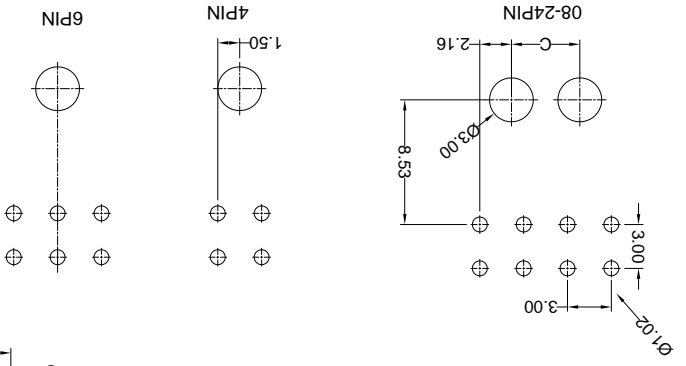
For and on behalf of  
**KXB INDUSTRIAL PRECISION CO., LIMITED**  
 香港星坤工業精密有限公司

REVISIONS  
 (Authorized Signatures)

MARK	DESCRIPTION	DATE	REVISED	APPROVED	UNSPECIFIED TOLERANCES
△ X					L > 63
△ X					16 < L ≤ 63
△ X					4 < L ≤ 16
△ X					L ≤ 4
					ANGULAR
					± 5°

DATE	SCALE: N/A	MODEL TYPE: X3025WR-2*XXH-LPSN
DATE	VIEW:	PART NO.:
DATE	UNIT: mm	DWG NO.:
DATE	SIZE: A4	REVISION
DATE		SHEET
DATE		1/1
DATE		WEIGHT
DATE		1.0g
DATE		8

**PCB LAYOUT : Component side**



Part No.	Material	Material(Pin)	Finish(Pin)	Mates With XKB Housing
X3025WR-2*XXH-LPSN	LCP UL 94V-0	Brass	Tin-Plated	X3025H

Poles	Dimensions (mm)		
	A	B	C
2*02	3.00	13.00	2*08
2*03	6.00	16.00	2*09
2*04	9.00	19.00	4.68
2*05	12.00	22.00	7.68
2*06	15.00	25.00	10.68
2*07	18.00	28.00	13.68

- ① Series No. X3025 W R X-2\*XX H-LP SN XX
- ② ③ ④ ⑤ ⑥ ⑦ ⑧ ⑨
- ⑩ Color: Blank-natural color
- ⑪ Planting Category: SN-Bright tin plating
- ⑫ Material: LP-LCP 94V-0
- ⑬ Special NO. : H-With Base and positioning column
- ⑭ Row No.-Pin No.: 2\*XX-2\*01P~2\*12P
- ⑮ Welding Way: Blank-DIP
- ⑯ Welding Board Angle: R-90°
- ⑰ Category: W-water

- **Specifications :**
- Voltage rating: 250V AC / DC
  - Current rating: 5A AC / DC
  - Withstanding voltage: 1500V AC/minute
  - Temperature range: -25°C~+85°C
  - Insulation resistance: ≥1000MΩ
  - Contact resistance: ≤10mΩ
  - After environmental testing: ≤20mΩ

REVISIONS  
 (Authorized Signatures)

MARK	DESCRIPTION	DATE	REVISED	APPROVED	UNSPECIFIED TOLERANCES
△ X					L > 63 ± 0.5
△ X					16 < L ≤ 63 ± 0.4
△ X					4 < L ≤ 16 ± 0.3
△ X					L ≤ 4 ± 0.2
					ANGULAR ± 5°

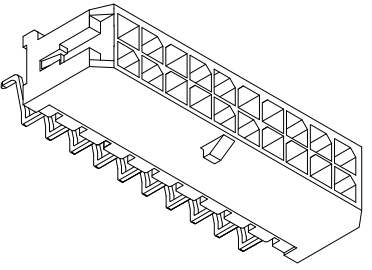
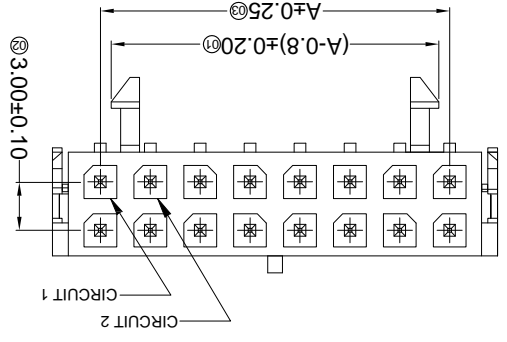
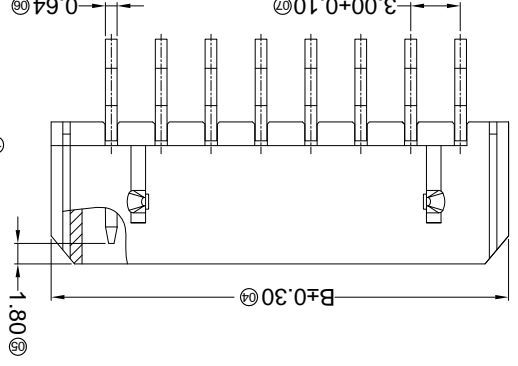
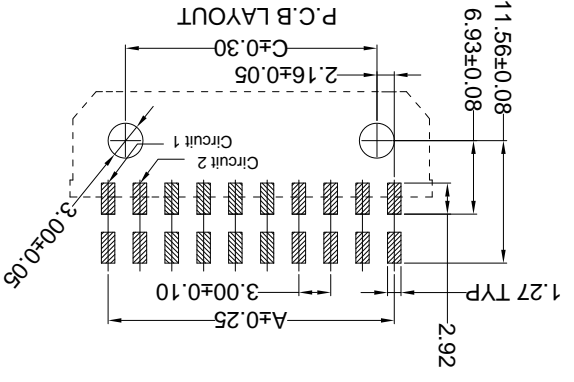
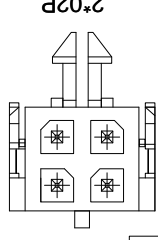
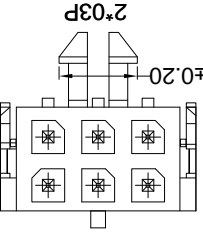
For and on behalf of  
 KXB INDUSTRIAL PRECISION CO., LIMITED  
 香港星坤工業精密有限公司

KXB INDUSTRIAL PRECISION CO., LIMITED

DATE	SCALE: N/A	MODEL TYPE:
		X3025WRS-2*XXA-LPXX
DATE	VIEW:	PART NO.:
DATE	UNIT: mm	DWG NO.:
		3.00 mm Crimp Style Connectors
DATE	SIZE: A4	REVISION
		A0
WEIGHT	SHEET	REVISION
1.0g	1/1	

PART NO	Material	Material(Pin)	Finish(Pin)	Mates With XKB Housing
X3025WRS-2*XXA-LP5W	LCP UL 94V-0	Brass	Tin-Plated	X3025H
X3025WRS-2*XXA-LP5W	LCP UL 94V-0	Brass	Mate Tin Plating	

Poles	Dimensions (mm)		
	A	B	C
2*01	6.65	6.65	2*07
2*02	3.00	9.65	2*08
2*03	6.00	12.65	2*09
2*04	9.00	15.65	4*07
2*05	12.00	18.65	7*07
2*06	15.00	21.65	10*07
Poles			
Dimensions (mm)			
A	B	C	
18.00	24.65	13.70	
21.00	27.65	16.70	
24.00	30.65	19.70	
27.00	33.65	22.70	
30.00	36.65	25.70	
33.00	39.65	28.70	



- ① Series No.
  - ② Category: W-water
  - ③ Welding Board Angle: R- Right Angle 90°
  - ④ Welding Way: S-SMT
  - ⑤ Row No.-Pin No.: 2\*XX-2\*01P-2\*12P
  - ⑥ Plug the Pin & Special No.: A-With Post
  - ⑦ Material: LP-LCP 94V-0
  - ⑧ Planting Category: SN-Bright tin plating
  - ⑨ Color: Blank-natural color
  - ⑩ SW-Matte Tin plating
- X3025 W R S-2\*XX A-LP XX XX

- Specifications :
- Voltage rating: 250V AC / DC
- Current rating: 5A AC / DC
- Withstanding voltage: 1000V AC/minute
- Temperature range: -25°C~+85°C
- Insulation resistance: >1000MΩ
- Contact resistance: ≤10mΩ
- After environmental testing: <20mΩ



For and on behalf of  
**KXB INDUSTRIAL PRECISION CO., LIMITED**  
 香港星坤工業精密有限公司

REVISIONS  
 Authorized Signature(s)

MARK	DESCRIPTION	DATE	REVISED	APPROVED	UNSPECIFIED TOLERANCES
△ X					L > 63
△ X					16 < L ≤ 63
△ X					4 < L ≤ 16
△ X					L ≤ 4
					ANGULAR
					± 5°
					± 0.2
					± 0.3
					± 0.4
					± 0.5

REVISION	SHEET	WEIGHT	8
A0	1/1	1.0g	

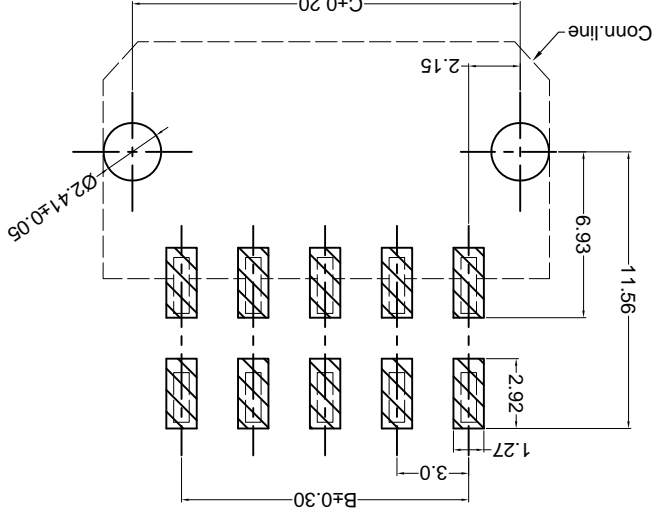
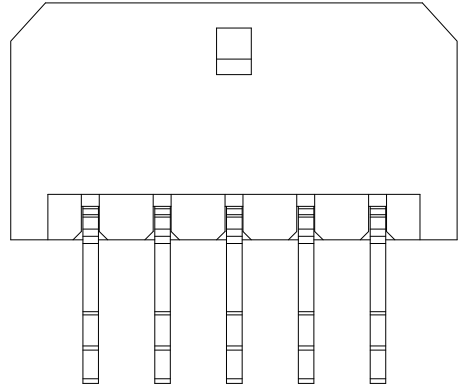
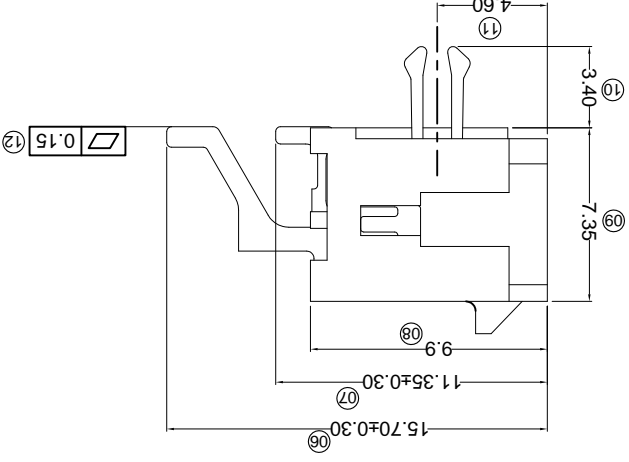
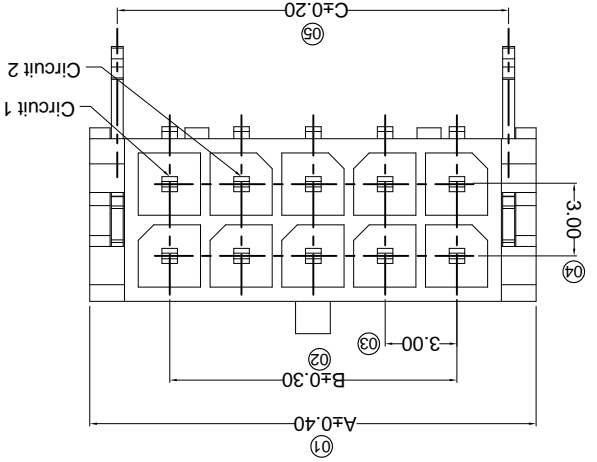
DATE	SCALE: N/A	MODEL TYPE: X3025WRS-2*XXC-XXXX	7

DATE	VIEW:	PART NO.: X3025WRS-2*XXC-XXXX	6

DATE	UNIT: mm	DWG NO.:	5

DATE	SIZE: A4	REVISION	4

PART NO	Material	Material(Pin)	Finish(Pin)	(Solder Tabs)	(Solder Tabs)	Mates With XKB Housing
X3025WRS-2*XXC-LPSW	LCP UL 94V-0	Brass	Ni:50u"Min; Sn:120u"Min;	Brass	Finish Tabs	Mates With XKB Housing
X3025WRS-2*XXC-LPSN	LCP UL 94V-0				Tin-Plated	
X3025WRS-2*XXC-NOSN	PA66 UL 94V-0				Matte Tin Plating	



- Specifications :
- Voltage rating: 250V AC / DC
  - Current rating: 5A AC / DC
  - Withstanding voltage: 1000V AC/minute
  - Temperature range: -25°C~+85°C
  - Insulation resistance: ≥1000MΩ
  - Contact resistance: ≤10mΩ
  - After environmental testing: ≤20mΩ

X3025 W R S-2\*XX C-XX XX XX  
 ① Series No.  
 ② Category: W-water  
 ③ Welding Board Angle: R-90°  
 ④ Welding Way: S-SMT  
 ⑤ Row No.-Pin No.: 2\*XX-Double row  
 ⑥ Special NO.: C-The harpoon  
 ⑦ Material: LP-LCP 94V-0  
 ⑧ Material: N0-PA66 94V-0  
 ⑨ Plating Category:  
 SN-Bright tin plating 70u"  
 SW-Fog Tin plating  
 Color:  
 ⑩ Blank-natural color

Poles	A	B	C
02	6.65	---	4.20
04	9.65	3.00	7.20
06	12.65	6.00	10.20
08	15.65	9.00	13.20
10	18.65	12.00	16.20
12	21.65	15.00	19.20
14	24.65	18.00	22.20
16	27.65	21.00	25.20
18	30.65	24.00	28.20
20	33.65	27.00	31.20
22	36.65	30.00	34.20
24	39.65	33.00	37.20

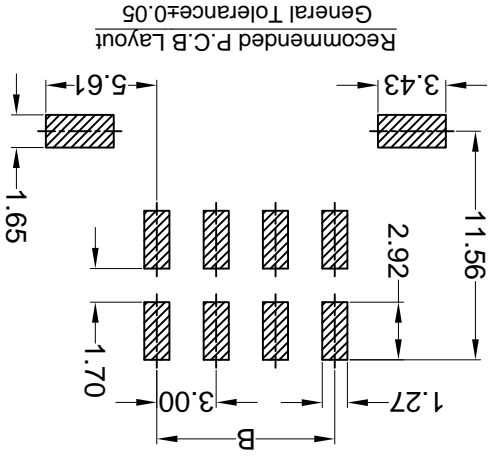
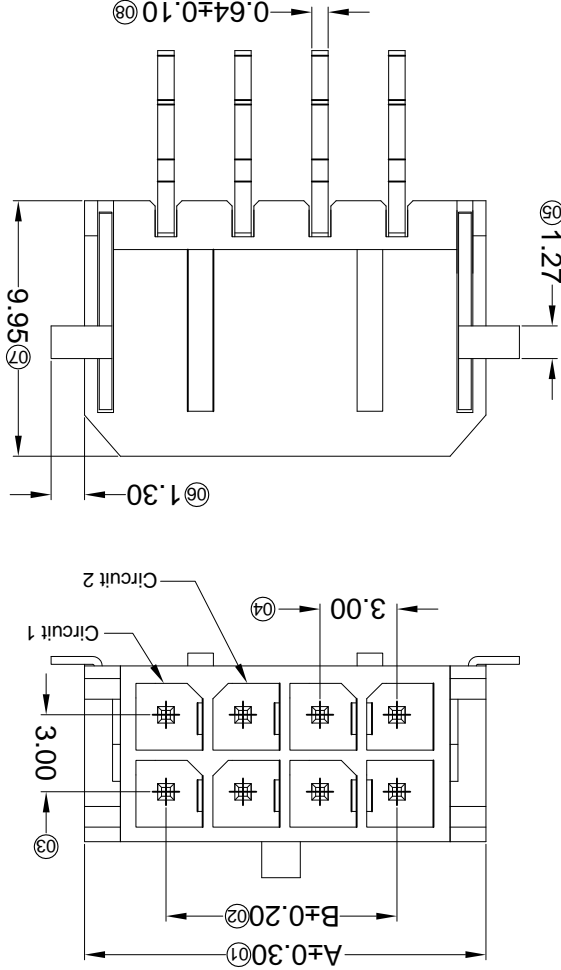


For and on behalf of  
**XKB INDUSTRIAL PRECISION CO., LIMITED**  
 香港星坤工業精密有限公司

Authorized Signature(s)

MARK	DESCRIPTION	DATE	REVISID	APPROVED	UNSPECIFIED TOLERANCES
△ X					L > 63
△ X					16 < L ≤ 63
△ X					4 < L ≤ 16
△ X					L ≤ 4
					ANGULAR
					± 5°

REVISION	SHEET	WEIGHT	MODEL TYPE	SCALE	DATE	DATE	DATE	DATE	DATE	APPD	CHKD	DWN	DSND
A0	1/1	1.0g	X3025WRS-2*XXD-XXXX	N/A									
					SIZE: A4								
					UNIT: mm								
					VIEW:								
					PART NO.: 300 mm Crimp Style Connectors								
					DWG NO.:								



Poles	Dimensions (mm)		Poles	Dimensions (mm)	
	A	B		A	B
2*01	6.65	---	2*07	24.65	18.00
2*02	9.65	3.00	2*08	27.65	21.00
2*03	12.65	6.00	2*09	30.65	24.00
2*04	15.65	9.00	2*10	33.65	27.00
2*05	18.65	12.00	2*11	36.65	30.00
2*06	21.65	15.00	2*12	39.65	33.00

- ① Series No.
- ② Category: W-WAFER
- ③ Welding Board Angle: R-Straight 90°
- ④ Welding Way: S-SMT
- ⑤ Row No.-Pin No.: 2\*XX-2\*02P~2\*22P
- ⑥ Plug the Pin & Special No.: D-With Solder Tabs
- ⑦ Material: LP-LCP 94V-0
- ⑧ Plating Category: SN-Bright Tin Plating; G05-Contact Gold 5u"
- ⑨ Color: Blank-Natural Color

- Specifications:
- Voltage rating: 250V AC / DC
  - Current rating: 5A AC / DC
  - Withstanding voltage: 1000V AC/minute
  - Temperature range: -25°C~+85°C
  - Insulation resistance: ≥1000MΩ
  - Contact resistance: ≤10mΩ
  - After environmental testing: ≤20mΩ

X3025 W R S-2\*XX D-LP XX XX  
 ① ② ③ ④ ⑤ ⑥ ⑦ ⑧ ⑨

PART NO	Material	Material(Pin)	Finish(Pin)	Material (Solder Tabs)	Finish (Solder Tabs)	Mates With XKB Housing
X3025WRS-2*XXD-LPSN	LCP UL 94V-0	Brass	Tin-Plated Contact Area Gold5u" Min.	Brass	Tin-Plated	X3025H
X3025WRS-2*XXD-LPG06						
X3025WRS-2*XXD-LPSW						
			Matte tin			



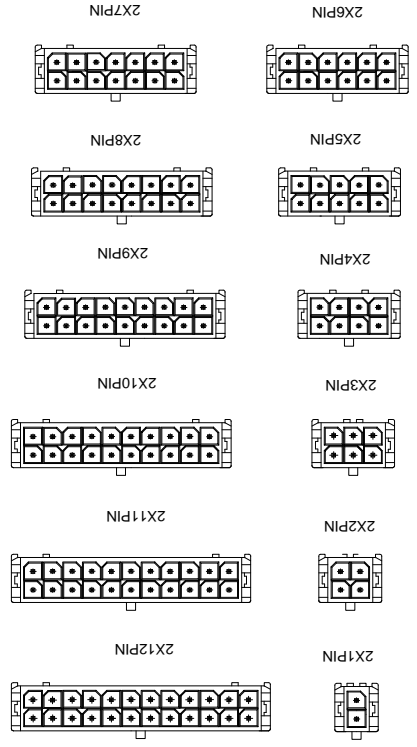
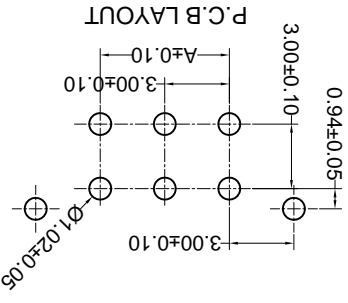
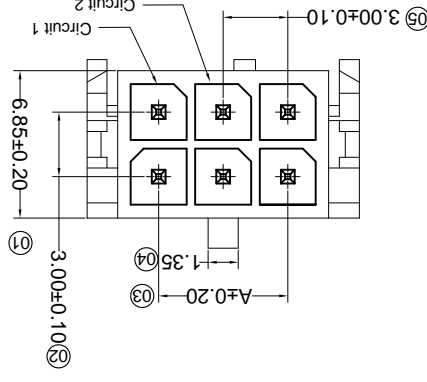
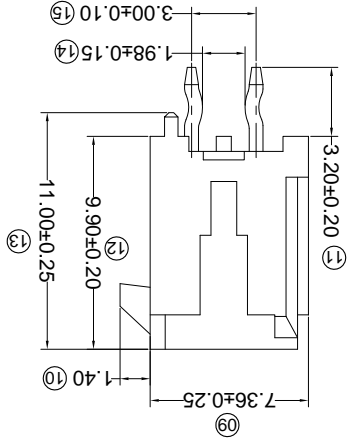
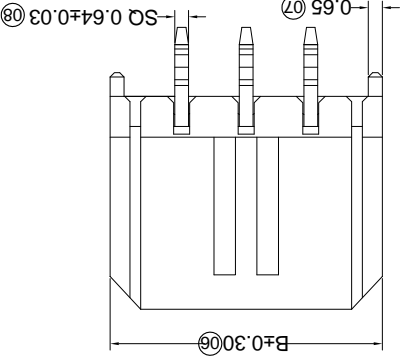
For and on behalf of  
**XKB INDUSTRIAL PRECISION CO., LIMITED**  
 香港星坤工業精密有限公司

REVISIONS  
 (Authorized Signatures)

MARK	DESCRIPTION	DATE	REVISED	APPROVED	UNSPECIFIED TOLERANCES
△ X					L > 63 ± 0.5
△ X					16 < L ≤ 63 ± 0.4
△ X					4 < L ≤ 16 ± 0.3
					L ≤ 4 ± 0.2
					ANGULAR ± 5°

DATE	SCALE: N/A	MODEL TYPE: X3025WV-2*XX-XXXX
DNSD		
DWN	VIEW:	PART NO.: 3.00 mm Crimp Style Connectors
CHKD	UNIT: mm	DWG NO.:
APPD	DATE	SIZE: A4
		WEIGHT 1.0g
		SHEET 1/1
		REVISION A0

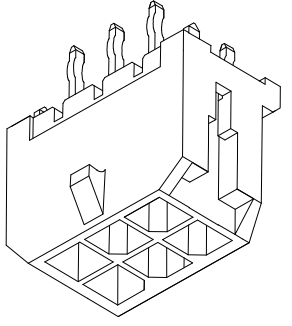
PART NO	Material	Material(Pin)	Finish(Pin)	Mates With XKB Housing
X3025WV-2*XX-PTSN	PBT UL 94V-0	Brass	Tin-Plated	X3025H
X3025WV-2*XX-46SN	PA46 UL 94V-0			
X025WV-2*XX-N0SN	PA66 UL 94V-0			
X3025WV-2*XX-46V01	PA46 UL 94V-0			



Poles	Dimensions (mm)	
	A	B
2*01	---	6.65
2*02	3.00	9.65
2*03	6.00	12.65
2*04	9.00	15.65
2*05	12.00	18.65
2*06	15.00	21.65
2*07	18.00	24.65
2*08	21.00	27.65
2*09	24.00	30.65
2*10	27.00	33.65
2*11	30.00	36.65
2*12	33.00	39.65

- ① Series No. X3025 W V X-2\*XX X-XX XX XX ① ② ③ ④ ⑤ ⑥ ⑦ ⑧ ⑨
- ② Category: W-WAFER
  - ③ Welding Board Angle: V-Straight 180°
  - ④ Welding Way: Blank-DIP
  - ⑤ Row No.-Pin No.: 2\*XX-2\*01P-2\*22P
  - ⑥ Plug the Pin & Special No.:
  - ⑦ Material: N0-PA66 94V-0; PT-PBT 94V-0; 46-PA46 94V-0
  - ⑧ Plating Category: SN-Bright Tin Plating; V01-All Gold Flash
  - ⑨ Color: Blank-Natural Color

- Specifications:
- Voltage rating: 250V AC / DC
  - Current rating: 5A AC / DC
  - Withstanding voltage: 1000V AC/minute
  - Temperature range: -25°C~+85°C
  - Insulation resistance: ≥1000MΩ
  - Contact resistance: ≤10mΩ
  - After environmental testing: ≤20mΩ



For and on behalf of  
**KXB INDUSTRIAL PRECISION CO., LIMITED**  
 香港星坤工業精密有限公司

Authorized Signatures

MARK	DESCRIPTION	DATE	REVISID	APPROVED	UNSPECIFIED TOLERANCES
△ X					L > 63
△ X					16 > L ≤ 63
△ X					4 < L ≤ 16
△ X					L ≤ 4
					ANGULAR
					± 5°

REVISIONS	DATE	APPD	CHKD	DWN	DSND

DATE	VIEW	SCALE	MODEL TYPE	PART NO.	DWG NO.:

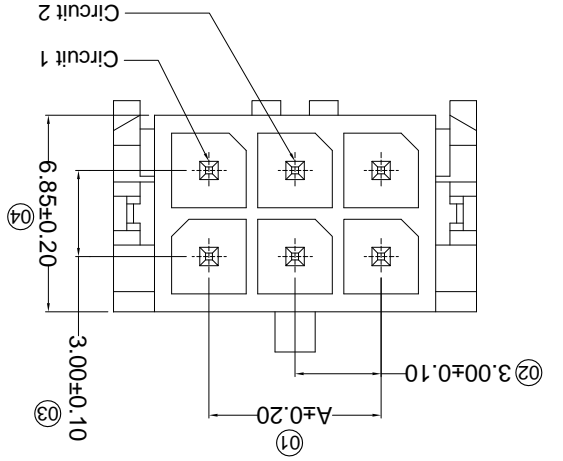
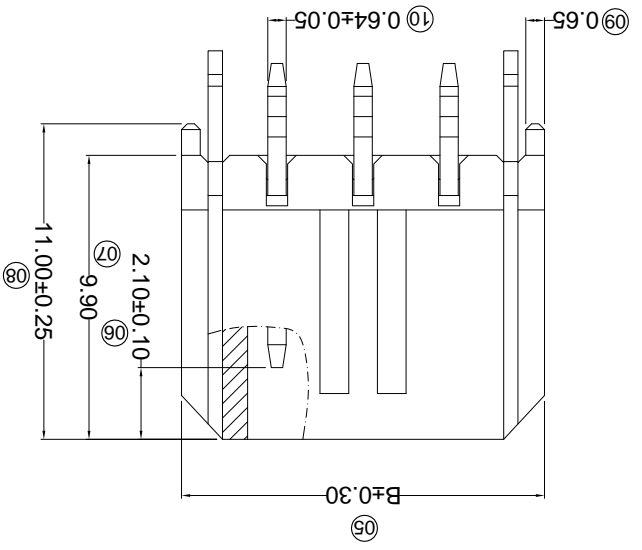
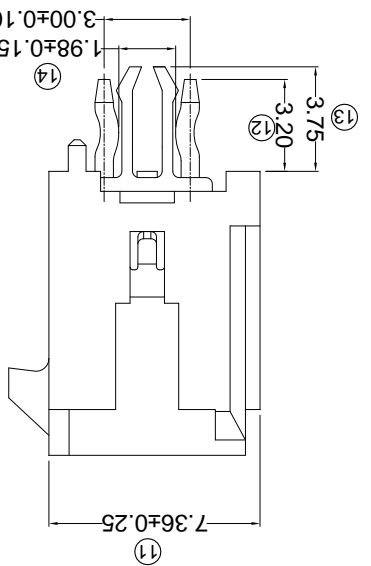
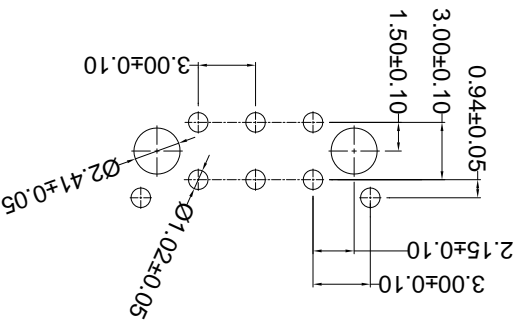
WEIGHT	SHEET	REVISION
1.0g	1/1	A0

PART NO	Material	Material(Pin)	Finish(Pin)	Mates With
X3025WV-2*XXC-9TSN	Nylon 9T UL 94V-0	Brass	Tin Plating Fog	X3025H
X3025WV-2*XXC-LPSW	LCP UL 94V-0			

Poles	Dimensions (mm)
A	39.65
B	36.65
	33.00
	30.00
	27.00
	24.00
	21.00
	18.00
	15.00
	12.00
	9.00
	6.00
	3.00
	0.94

- ① Series No.
- ② Category:
- ③ W-water
- ④ Welding Board Angle:
- ⑤ V-180°
- ⑥ Welding Way:
- ⑦ Blank-DIP
- ⑧ Row No.-Pin No.
- ⑨ 2\*XX-Double row
- ⑩ Special NO.
- ⑪ C-The harpoon
- ⑫ Material:
- ⑬ LP-LCP 94V-0 9T-PA9T 94V-0
- ⑭ Planting Category:
- ⑮ V\*\*All Gold-Plated
- ⑯ \*01-Gold Flash : \*02-2u" ; \*03-3u" ; \*05-5u"
- ⑰ \*10-10u" ; \*15-15u" ; \*30-30u" ; \*50-50u"
- ⑱ SN-Bright tin plating 70u"
- ⑲ SN1-Bright tin plating 120u"Min.:
- ⑳ SW-Fog Tin plating
- ㉑ Color:
- ㉒ Blank-natural color

P.C.B LAYOUT



- Specifications :
- Voltage rating: 250V AC / DC
- Current rating: 5A AC / DC
- Withstanding voltage: 1000V AC/minute
- Temperature range: -25°C~+85°C
- Insulation resistance: ≥1000MΩ
- Contact resistance: ≤10mΩ
- After environmental testing: ≤20mΩ

REVISIONS  
*Authorized Signatures*

For and on behalf of  
**XKB INDUSTRIAL PRECISION CO., LIMITED**  
香港星坤工業精密有限公司

MARK	DESCRIPTION	DATE	REVISED	APPROVED	UNSPECIFIED TOLERANCES
△ X					L > 63
△ X					16 < L ≤ 63
△ X					4 < L ≤ 16
△ X					L ≤ 4
					ANGULAR
					± 5°

REVISION	SHEET	WEIGHT	DATE	DATE	DATE	DATE	DATE
A0	1/1	1.0g					

MODEL TYPE	SCALE	VIEW	UNIT	SIZE	APPD	CHKD	DWN	DNSD
X3025WV-2*XXCN-LPSN	N/A	VIEW: ①	mm	A4				

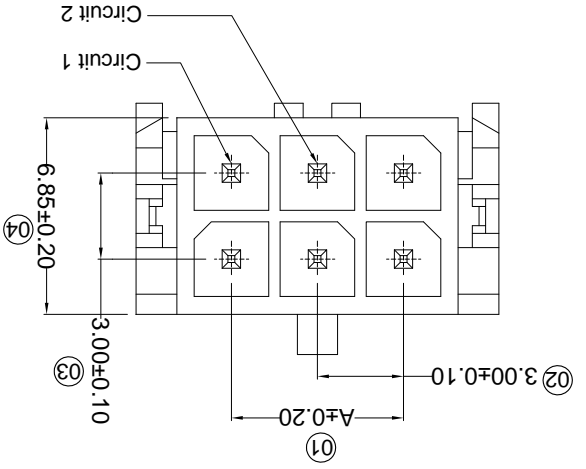
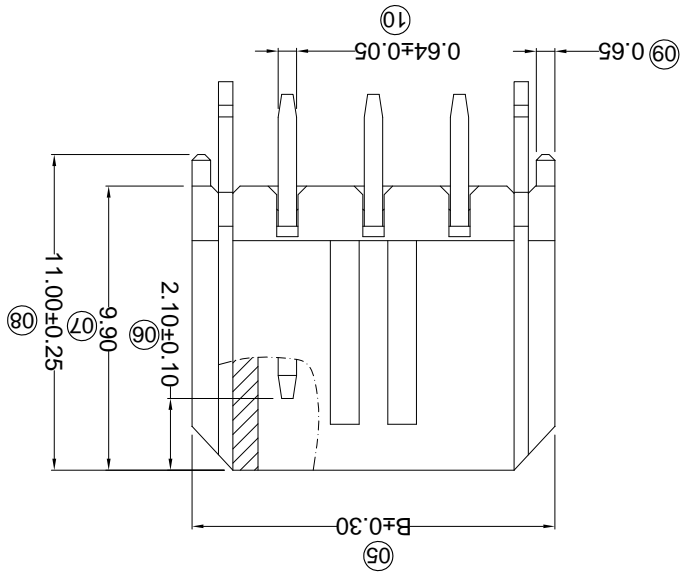
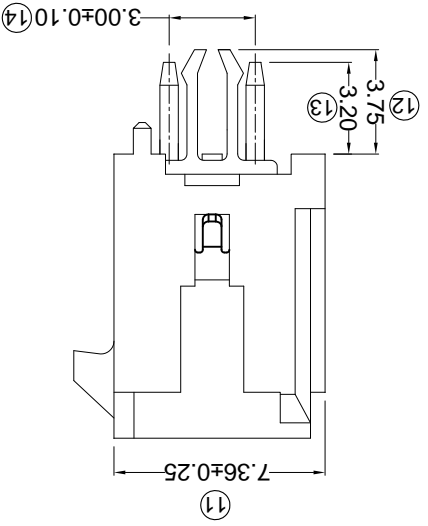
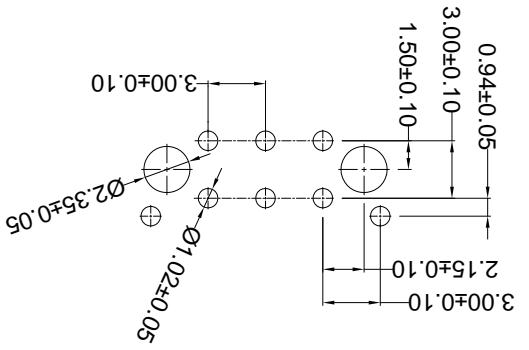
PART NO	Material	Material(Pin)	Finish(Pin)	Mates With XKB Housing
X3025WV-2*XXCN-LPSN	LCP UL 94V-0	Brass	Tin-Plated	X3025H

Poles	A	B
02	--	6.65
04	3.00	9.65
06	6.00	12.65
08	9.00	15.65
10	12.00	18.65
12	15.00	21.65
14	18.00	24.65
16	21.00	27.65
18	24.00	30.65
20	27.00	33.65
22	30.00	36.65
24	33.00	39.65

- ① Series No.
- ② Category:
- ③ W-water
- ④ Welding Board Angle:
- ⑤ V-180°
- ⑥ Welding Way:
- ⑦ Blank-DIP
- ⑧ Row No.-Pin No.
- ⑨ 2\*XX-Double row
- ⑩ Special NO.
- ⑪ C-The harpoon N-without K the feet
- ⑫ Material:
- ⑬ LP-LCP 94V-0
- ⑭ Planting Category:
- ⑮ V\*\*All Gold-Plated
- ⑯ \*01-Gold Flash ; \*02-2u" ; \*03-3u" ; \*05-5u"
- ⑰ \*10-10u" ; \*15-15u" ; \*30-30u" ; \*50-50u"
- ⑱ SN-Bright tin plating 70u"
- ⑲ SN1-Bright tin plating 120u"Min.
- ⑳ SW-Fog Tin plating
- ㉑ Color:
- ㉒ Blank-natural color

- Specifications :
- Voltage rating: 250V AC / DC
  - Current rating: 5A AC / DC
  - Withstanding voltage: 1000V AC/minute
  - Temperature range: -25°C~+85°C
  - Insulation resistance: ≥1000MΩ
  - Contact resistance: ≤10mΩ
  - After environmental testing: ≤20mΩ

P.C.B LAYOUT



For and on behalf of  
**KXB INDUSTRIAL PRECISION CO., LIMITED**  
 香港星坤工業精密有限公司

MARK	DESCRIPTION	DATE	REVISED	APPROVED	UNSPECIFIED TOLERANCES
△ X					L > 63
△ X					16 < L ≤ 63
△ X					4 < L ≤ 16
△ X					L ≤ 4
					ANGULAR

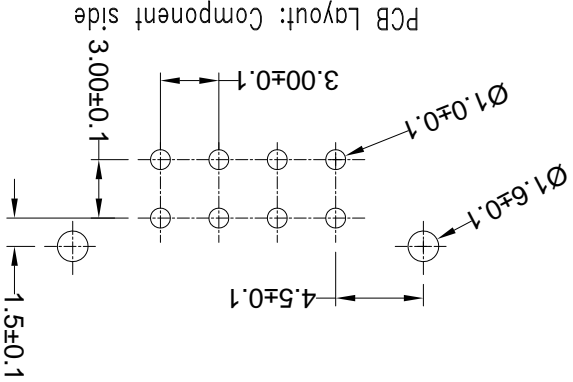
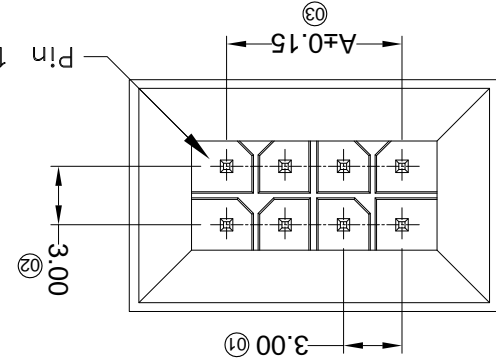
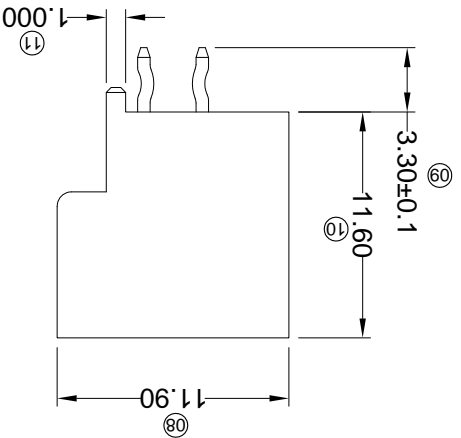
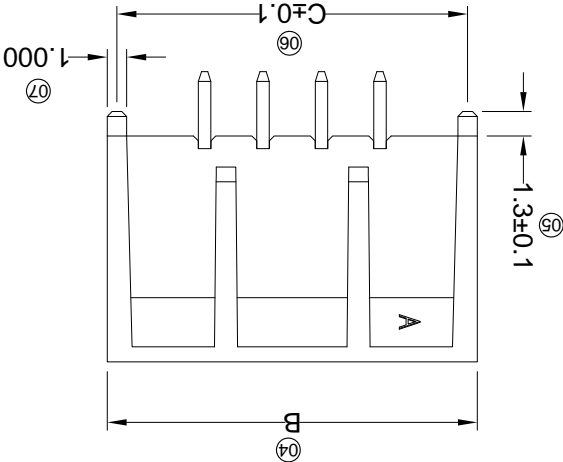
REVISIONS	DATE	REVISIONS	DATE	REVISIONS	DATE
APPROVED		REVISED		APPROVED	

APPD	DATE	SIZE: A4
CHKD	DATE	UNIT: mm
DWN	DATE	VIEW:
DSND	DATE	SCALE: N/A

Part No.	Material	Material(Pin)	Finish(Pin)	Tin-Plated	Part No.
X3025WV-2*XXH-LPSN	LCP UL 94V-0	Brass			X3025H
					Mates With XKB Housing

MODEL TYPE:	X3025WV-2*XXH-LPSN
PART NO.:	
DWG NO.:	800 mm Crimp Style Connectors

WEIGHT	1.0g
SHEET	1/1
REVISION	A0



X3025W V X-2\*XXH-LPSNXX  
 ① Series No.  
 ② Category:  
 W-water  
 ③ Welding Board Angle:  
 V-180°  
 ④ Welding Way:  
 Blank-DIP  
 ⑤ Row No.-Pin No.  
 2\*XX-Double row  
 ⑥ Special NO.  
 H-Arrange ushering with positioning column  
 ⑦ Material:  
 LP-LCP 94V-0  
 ⑧ Planting Category:  
 V\*\*All Gold-Plated  
 G\*\*Gold-Plated Contact  
 \*04 Gold Flash ; \*02-2u" ; \*03-3u" ; \*05-5u"  
 \*10-10u" ; \*15-15u" ; \*30-30u" ; \*50-50u"  
 SN-Bright tin plating 70u"  
 SN1-Bright tin plating 120u"Min. ;  
 SW-Fog Tin plating  
 ⑨ Color:  
 Blank-natural color

Poles	A	B	C
04	3.00	13.00	12.00
06	6.00	16.00	15.00
08	9.00	19.00	18.00
10	12.00	22.00	21.00
12	15.00	25.00	24.00
14	18.00	28.00	27.00
16	21.00	31.00	30.00
18	24.00	34.00	33.00
20	27.00	37.00	36.00
22	30.00	40.00	39.00
24	33.00	43.00	42.00

- Specifications :
- Voltage rating: 250V AC / DC
  - Current rating: 5A AC / DC
  - Withstanding voltage: 1000V AC/minute
  - Temperature range: -25°C~+85°C
  - Insulation resistance: ≥1000MΩ
  - Contact resistance: ≤10mΩ
  - After environmental testing: ≤20mΩ

REVISIONS  
 (Authorized Signatures)

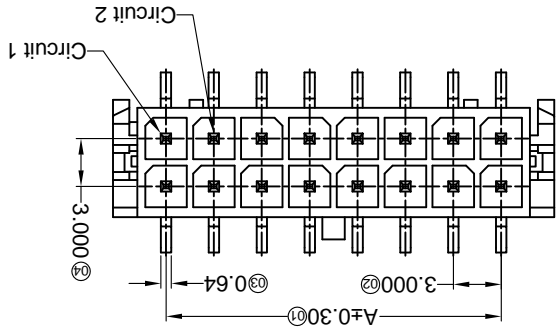
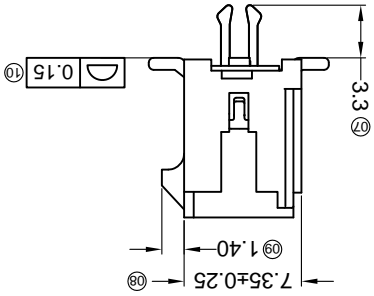
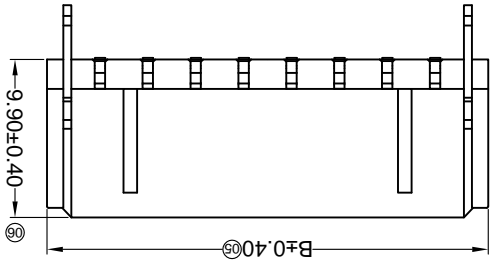
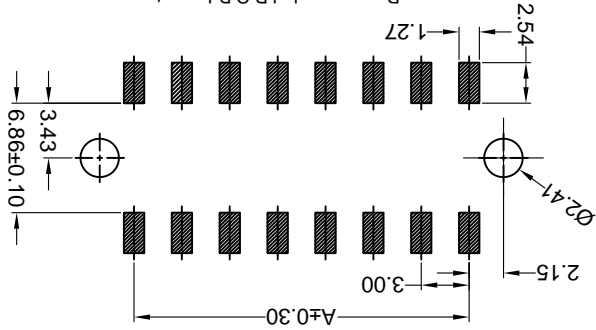
MARK	DESCRIPTION	DATE	REVISED	APPROVED	UNSPECIFIED TOLERANCES
△ X					L > 63
△ X					16 < L ≤ 63
△ X					4 < L ≤ 16
△ X					L ≤ 4
					ANGULAR
					± 5°

For and on behalf of  
**XKB INDUSTRIAL PRECISION CO., LIMITED**  
 香港星坤工業精密有限公司

**XKB INDUSTRIAL PRECISION CO., LIMITED**

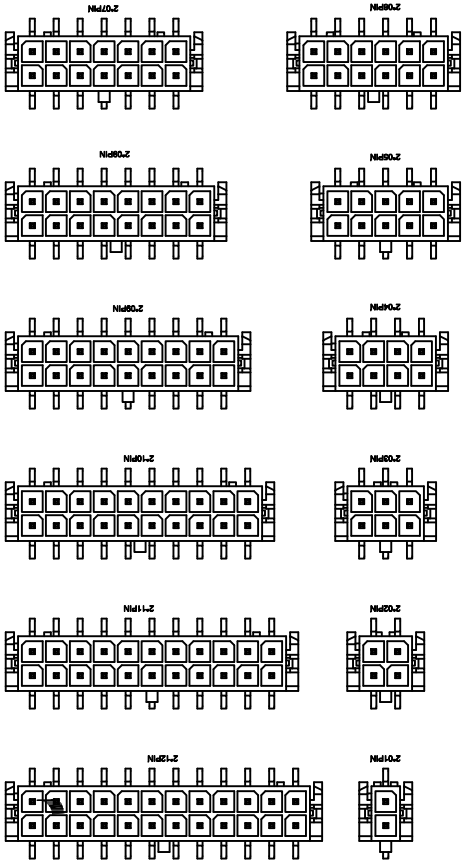
WEIGHT	1.0g
SHEET	1/1
REVISION	A0
DATE	
DATE	
DATE	
DATE	
SCALE: N/A	
MODEL TYPE:	X3025WVS-2*XXC-LPXX
PART NO.:	
VIEW:	
UNIT: mm	
SIZE: A4	
DWG NO.:	3.00 mm Crimp Style Connectors

Recommended P.C.B Layout  
 General Tolerance±0.05



PART NO	Material	Material (Pn)	Finish (Pn)	Material (Pn)	Material (Pn)	Material (Pn)	Material (Pn)
X3025WVS-2*XXC-LPXX	LCP UL 94V-0	Brass	Tin-Plated	Brass	Tin-Plated	Brass	Tin-Plated
X3025WVS-2*XXC-LPXX	LCP UL 94V-0	Brass	Tin-Plated	Brass	Tin-Plated	Brass	Tin-Plated

Poles	Dimensions(mm)	Dimensions(mm)
2*01	---	6.65
2*02	3.00	9.65
2*03	6.00	12.65
2*04	9.00	15.65
2*05	12.00	18.65
2*06	15.00	21.65
2*07	18.00	24.65
2*08	21.00	27.65
2*09	24.00	30.65
2*10	27.00	33.65
2*11	30.00	36.65
2*12	33.00	39.65



- ① Series No.
- ② Category: W-water
- ③ Welding Board Angle: V- Straight 180°
- ④ Welding Way: S-SMT
- ⑤ Row No-Pin No.: 2\*XX-2\*01P-2\*12P
- ⑥ Plug the Pin & Special No.: C-The Harpoon
- ⑦ Material: LP-LCP 94V-0
- ⑧ Plating Category:
- ⑨ SN-Bright tin plating: SW-Matte Tin plating
- ⑩ Color: Blank-Natural color

X3025 W V S-2\*XX C-LP XX XX

- Specifications :
- Voltage rating: 250V AC / DC
- Current rating: 5A AC / DC
- Withstanding voltage: 1000V AC/minute
- Temperature range: -25°C~+85°C
- Insulation resistance: ≥1000MΩ
- Contact resistance: ≤10mΩ
- After environmental testing: ≤20mΩ



For and on behalf of  
**KXB INDUSTRIAL PRECISION CO., LIMITED**  
 香港星坤工業精密有限公司  
 REVISIONS  
 Authorized Signature(s)

MARK	DESCRIPTION	DATE	REVISED	APPROVED	UNSPECIFIED TOLERANCES
△ X					L > 63
△ X					16 > L ≤ 63
△ X					4 < L ≤ 16
					L ≤ 4
					ANGULAR
					± 5°

REVISION	SHEET	WEIGHT	SIZE: A4
A0	1/1	1.0g	

DATE	SCALE: N/A	DATE	VIEW:	DATE	UNIT: mm	DATE

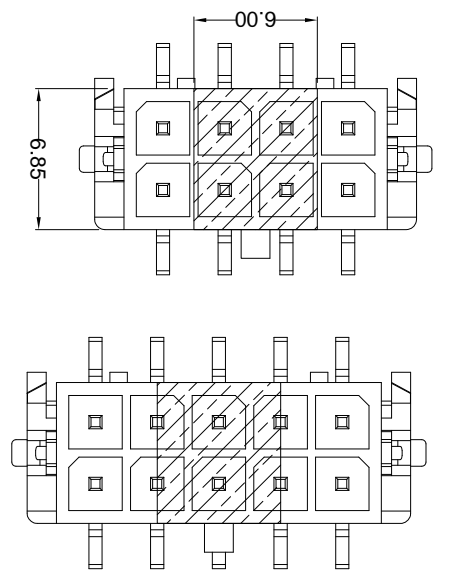
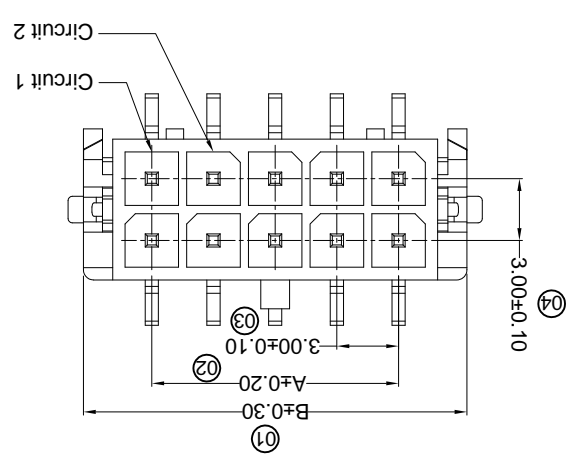
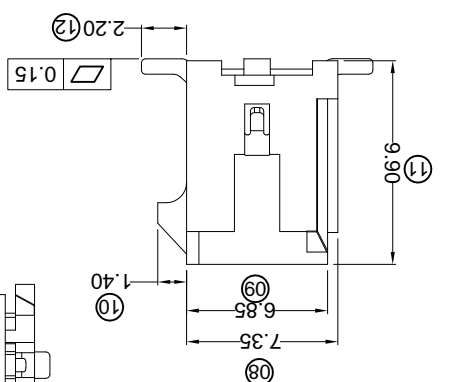
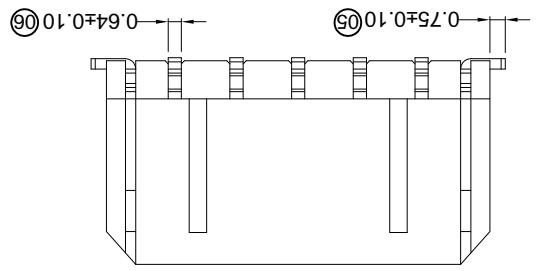
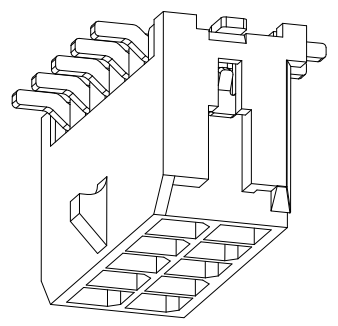
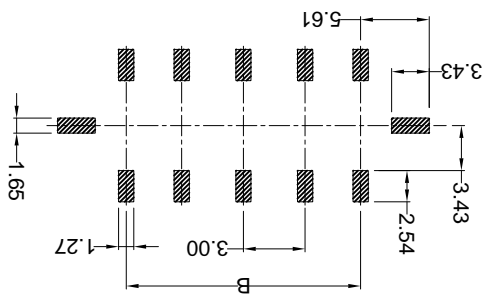
DATE	SCALE: N/A	DATE	VIEW:	DATE	UNIT: mm	DATE

DATE	SCALE: N/A	DATE	VIEW:	DATE	UNIT: mm	DATE

DATE	SCALE: N/A	DATE	VIEW:	DATE	UNIT: mm	DATE

DATE	SCALE: N/A	DATE	VIEW:	DATE	UNIT: mm	DATE

P.C.B. LAYOUT



Dimensions(mm)	Dimensions(mm)	Dimensions(mm)	Dimensions(mm)	Dimensions(mm)	Dimensions(mm)	Dimensions(mm)	Dimensions(mm)	Dimensions(mm)	Dimensions(mm)
2*06	15.00	2*12	21.65	2*06	15.00	2*12	21.65	2*06	15.00
2*05	12.00	2*11	18.65	2*05	12.00	2*11	18.65	2*05	12.00
2*04	9.00	2*10	15.65	2*04	9.00	2*10	15.65	2*04	9.00
2*03	6.00	2*09	12.65	2*03	6.00	2*09	12.65	2*03	6.00
2*02	3.00	2*08	9.65	2*02	3.00	2*08	9.65	2*02	3.00
2*01	---	2*07	6.65	2*01	---	2*07	6.65	2*01	---
Poles A		Poles B		Poles A		Poles B		Poles A	
A		B		A		B		A	
24.65		18.00		24.65		18.00		24.65	
30.65		21.00		30.65		21.00		30.65	
33.65		27.00		33.65		27.00		33.65	
36.65		30.00		36.65		30.00		36.65	
39.65		33.00		39.65		33.00		39.65	

- ① Series No.
- ② Category: W-water
- ③ Weiding Board Angle: V- Stright 180°
- ④ Weiding Way: S-SMT
- ⑤ Row No.-Pin No.: 2\*XX-2\*01P-2\*12P
- ⑥ Plug the Pin & Special No.: D-Solder Tabs
- ⑦ Material: LP-LCP 94V-0
- ⑧ Planting Category:
- ⑨ SN-Bright tin plating ; SW-Matte Tin plating
- ⑩ Color: Blank-Natural color

X3025 W V S-2\*XX D-LP XX XX

- Voltage rating: 250V AC / DC
- Current rating: 5A AC / DC
- Withstanding voltage: 1000V AC/minute
- Temperature range: -25°C~+85°C
- Insulation resistance: ≥1000MΩ
- Contact resistance: ≤10mΩ
- After environmental testing: ≤20mΩ

Specifications :

## X-ON Electronics

Largest Supplier of Electrical and Electronic Components

*Click to view similar products for [Headers & Wire Housings](#) category:*

*Click to view products by [XKB](#) manufacturer:*

Other Similar products are found below :

[95000-104TRLF](#) [10135584-644402LF](#) [DF62W-EP2022PCA](#) [95000-106TRLF](#) [DF62W-2022SCA](#) [DF62W-EP2022PC](#) [2203348](#) [DF62W-2022SC](#) [1084018](#) [1029039](#) [1084017](#) [802-10-012-10-002000](#) [1112640](#) [1112639](#) [891-007-9SS-BST1T](#) [000-34000](#) [0008550134](#) [0009482033](#) [0009507031](#) [57102-F02-18ULF](#) [57102-S06-03LF](#) [57202-S52-04LF](#) [PCN6-15S-2.5E](#) [0039019024](#) [58102-G61-06LF](#) [582553-1](#) [0009485154](#) [0009508121](#) [0022285053](#) [0050291907](#) [018731A](#) [LY20-4P-DT1-P1E-BR](#) [02.125.8002.8](#) [60101931](#) [60598-1 \(Cut Strip\)](#) [M1625-3R/100](#) [61062-3](#) [61082-181009](#) [CSU011177004](#) [636-1427](#) [638009-1](#) [641938-9](#) [641991-4](#) [644168-1](#) [644827-2](#) [647662-1](#) [65039-019ELF](#) [65692-001LF](#) [65781-018](#) [65781-047](#)