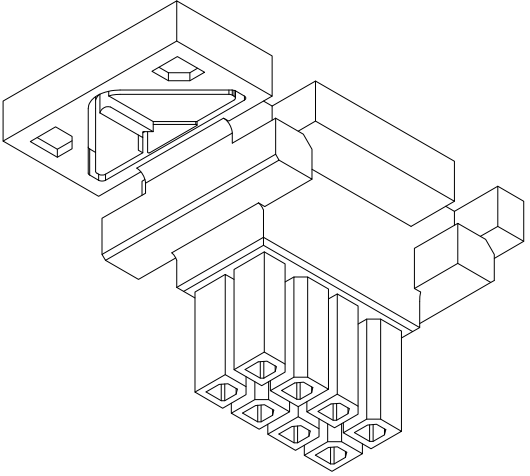
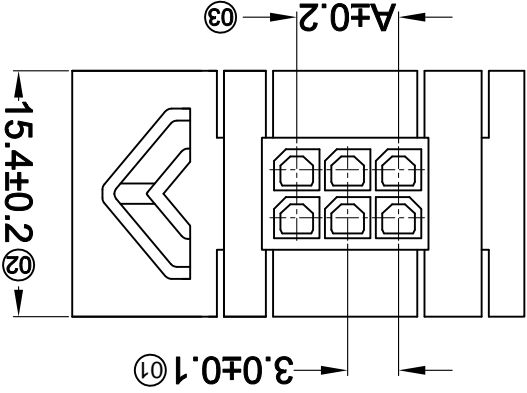
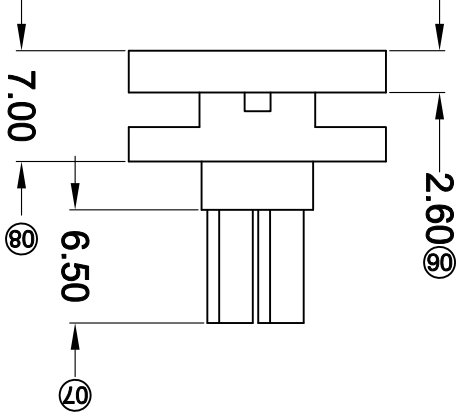
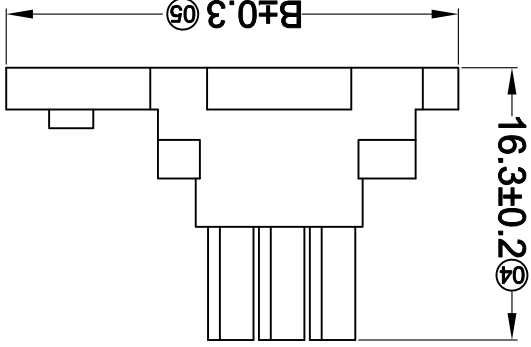


For and on behalf of
XKB INDUSTRIAL PRECISION CO., LIMITED
 香港星坤工業精密有限公司

| MARK | DESCRIPTION | DATE | REVISED | APPROVED | UNSPECIFIED TOLERANCES |
|------|-------------|------|---------|----------|------------------------|
| △ X | | | | | L > 63 |
| △ X | | | | | 16 < L ≤ 63 |
| △ X | | | | | 4 < L ≤ 16 |
| | | | | | L ≤ 4 |
| | | | | | ANGULAR |

| REVISIONS | DATE | REVISED | APPROVED | UNSPECIFIED TOLERANCES |
|--|-----------|--------------------------------|------------|-------------------------------|
| XKB INDUSTRIAL PRECISION CO., LIMITED | | | | |
| DATE | DATE | DATE | DATE | DATE |
| SIZE: A4 | UNIT: mm | VIEW: | SCALE: N/A | MODEL TYPE: X3025HF-2*XXWS-N2 |
| DWG NO.: | PART NO.: | 3.00 mm Crimp Style Connectors | | |
| WEIGHT | SHEET | REVISION | | |
| 1.0g | 1/1 | A0 | | |

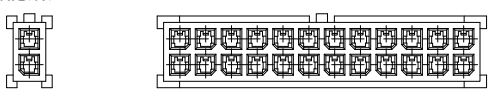
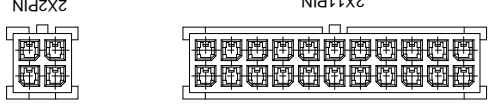
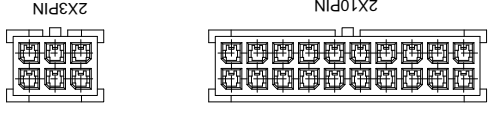
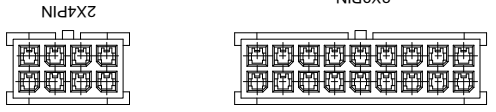
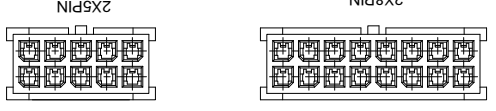
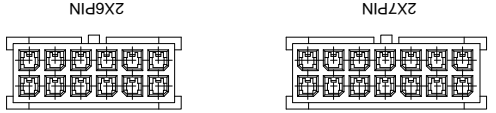
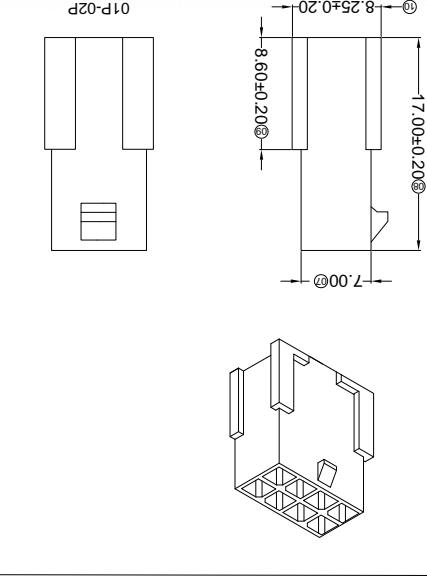
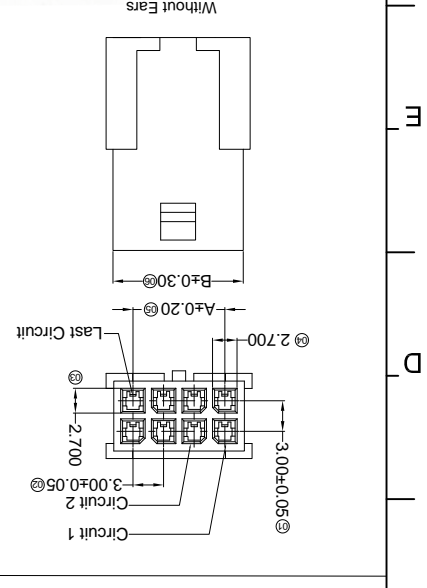
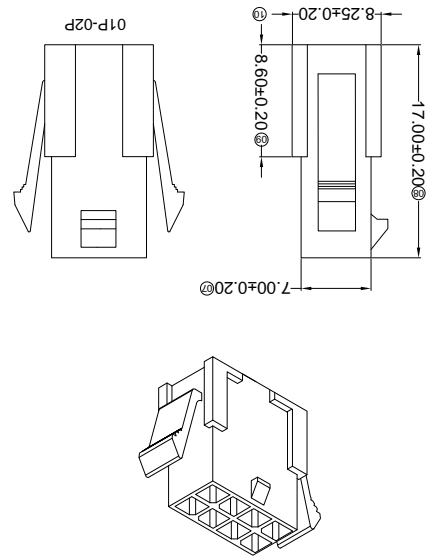
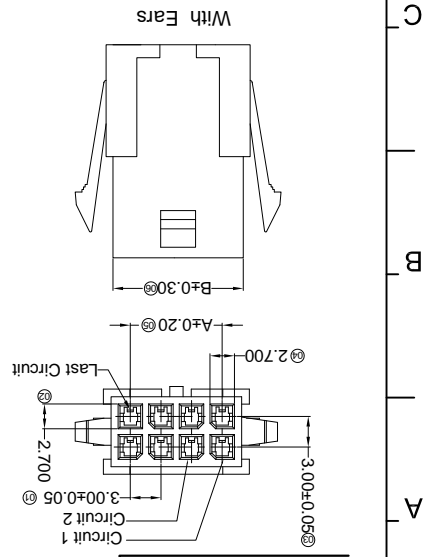


| Poles | Dimensions(mm) | | Poles | |
|-------|----------------|-------|-------|-------|
| | A | B | A | B |
| 2*02 | 3.00 | 24.85 | 2*08 | 21.00 |
| 2*03 | 6.00 | 27.85 | 2*09 | 24.00 |
| 2*04 | 9.00 | 30.85 | 2*10 | 27.00 |
| 2*05 | 12.00 | 33.85 | 2*11 | 30.00 |
| 2*06 | 15.00 | 36.85 | 2*12 | 33.00 |
| 2*07 | 18.00 | 39.85 | | |

- ① Series No.
- ② Category: H-HSG
- ③ Welding Board Angle: F-Female HSG
- ④ Row No.-Pin No.: 2*XX-2*02P~2*12P
- ⑤ Plug the Pin & special No.: WS-With Base
- ⑥ Material: N2-PA66 94V-2;
- ⑦ Color: Blank-natural color

X3025 H F-2*XX WS-N2 XX
 ① ② ③ ④ ⑤ ⑥ ⑦

- Specifications :
- Voltage rating: 250V AC / DC
 - Current rating: 5A AC / DC
 - Withstanding voltage: 1500V AC/minute
 - Temperature range: -25°C~+85°C
 - Insulation resistance: ≥1000MΩ
 - Contact resistance: ≤10mΩ
 - After environmental testing: ≤17mΩ



- Specifications :**
- Voltage rating: 250V AC / DC
 - Current rating: 5A AC / DC
 - Withstanding voltage: 1000V AC/minute
 - Temperature range: -25°C~+85°C
 - Insulation resistance: ≥1000MΩ
 - Contact resistance: ≤10mΩ
 - After environmental testing: ≤20mΩ

X3025 H F-2*XX XX-N2 XX

- ① Series No.
- ② Category: H-HSG
- ③ Welding Board Angle: F-Female HSG
- ④ Row No.-Pin No.: 2*XX-2*01P-2*12P
- ⑤ Plug the Pin & special No.: I-Without Ears
- ⑥ G-With Ears
- ⑦ Material: N2-PA66 94V-2;
- ⑧ Color: Blank-Natural Color

| Poles | Dimensions(mm) | | Poles | Dimensions(mm) | |
|-------|----------------|-------|-------|----------------|-------|
| | A | B | | A | B |
| 2*01 | 18.00 | 22.00 | 2*07 | 4.00 | 2.00 |
| 2*02 | 3.00 | 7.00 | 2*08 | 7.00 | 2.00 |
| 2*03 | 6.00 | 10.00 | 2*09 | 10.00 | 2.00 |
| 2*04 | 9.00 | 13.00 | 2*10 | 13.00 | 2.00 |
| 2*05 | 12.00 | 16.00 | 2*11 | 16.00 | 2.00 |
| 2*06 | 15.00 | 19.00 | 2*12 | 19.00 | 2.00 |
| | | 33.00 | | | 37.00 |

| PART NO | Material | Suitable SWB Terminal | Mates With XKB Housing | Note |
|------------------|----------------|-----------------------|------------------------|--------------|
| X3025HF-2*XXG-N2 | Nylon 66 94V-2 | X3025TM | X3025HM | With Ears |
| X3025HF-2*XXI-N2 | Nylon 66 94V-2 | X3025TM | X3025HM | Without Ears |

| MARK | DESCRIPTION | DATE | REVISED | APPROVED | UNSPECIFIED TOLERANCES | | REVISIONS | | |
|------|-------------|------|---------|----------|------------------------|------|-----------|-------------|-----------|
| | | | | | L > 63 | ±0.5 | DATE | DESCRIPTION | REVISIONS |
| △ X | | | | | 16 < L ≤ 63 | ±0.4 | | | |
| △ X | | | | | 4 < L ≤ 16 | ±0.3 | | | |
| △ X | | | | | L ≤ 4 | ±0.2 | | | |
| | | | | | ANGULAR | ±5° | | | |

| DSND | DATE | SCALE: N/A | MODEL TYPE: X3025HF-2*XX-N2 |
|--|------|------------|-----------------------------|
| DWN <th>DATE</th> <th>VIEW: </th> <th>PART NO.:</th> | DATE | VIEW: | PART NO.: |
| CHKD <th>DATE</th> <th>UNIT: mm</th> <th>DWG NO.:</th> | DATE | UNIT: mm | DWG NO.: |
| APPD <th>DATE</th> <th>SIZE: A4</th> <th>REVISION</th> | DATE | SIZE: A4 | REVISION |
| | | | WEIGHT 1.0g |
| | | | SHEET 1/1 |
| | | | REVISION A0 |

For and on behalf of
XKB INDUSTRIAL PRECISION CO., LIMITED
 香港星坤工業精密有限公司

Authorized Signatures

XKB INDUSTRIAL PRECISION CO., LIMITED

For and on behalf of
KXB INDUSTRIAL PRECISION CO., LIMITED
 香港星坤工業精密有限公司

REVISIONS
 (Authorized Signature(s))

| MARK | DESCRIPTION | DATE | REVISED | APPROVED | UNSPECIFIED TOLERANCES |
|------|-------------|------|---------|----------|-------------------------------|
| △ X | | | | | $L > 63$ ± 0.5 |
| △ X | | | | | $16 > L \leq 63$ ± 0.4 |
| △ X | | | | | $4 < L \leq 16$ ± 0.3 |
| △ X | | | | | $L \leq 4$ ± 0.2 |
| | | | | | ANGULAR $\pm 5^\circ$ |

| REVISION | SHEET | WEIGHT | SIZE | DATE | DATE | DATE | DATE | DATE |
|----------|-------|--------|------|------|------|------|------|------|
| A0 | 1/1 | 1.0g | A4 | | | | | |

KXB INDUSTRIAL PRECISION CO., LIMITED

| APPD | CHKD | DWN | DSND |
|------|------|-----|------|
| | | | |

| UNIT: mm | VIEW: | SCALE: N/A |
|----------|-------|------------|
| | | |

MODEL TYPE: X3025HM-2*XXWS-N2
 PART NO.:
 3.00 mm Crimp Style Connectors
 DWG NO.:

| PART NO | Material | Suitable SWB Terminal | Mates With XKB Wafer |
|-------------------|----------------|-----------------------|----------------------|
| X3025HM-2*XXWS-N2 | Nylon 66 94V-2 | X3025TF | X3025W |

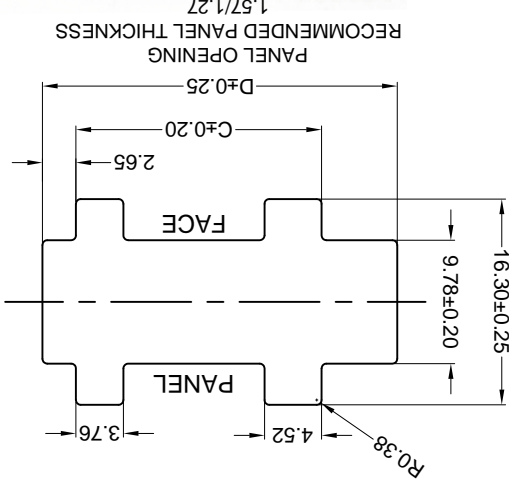
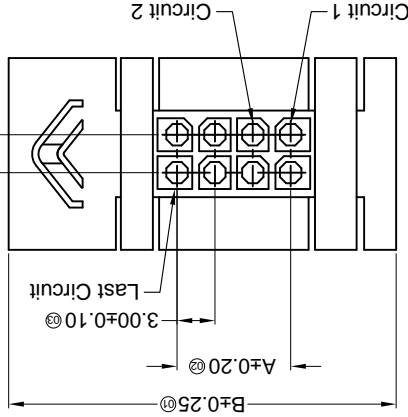
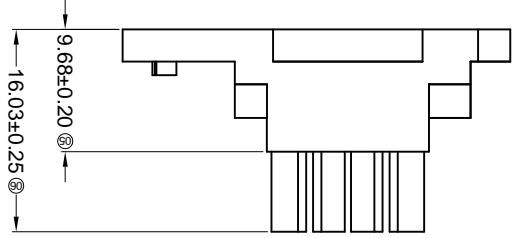
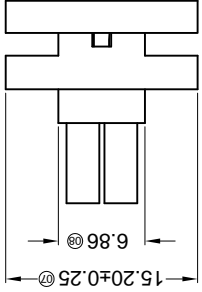
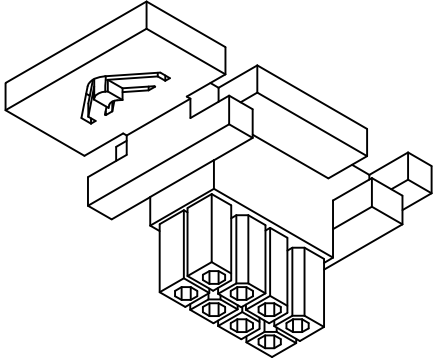
| Poles | A | B | C | D |
|-------|-------|-------|-------|-------|
| 2*02 | 3.00 | 24.60 | 13.46 | 22.10 |
| 2*03 | 6.00 | 27.70 | 16.46 | 25.10 |
| 2*04 | 9.00 | 30.70 | 19.46 | 28.10 |
| 2*05 | 12.00 | 33.80 | 22.46 | 31.10 |
| 2*06 | 15.00 | 36.80 | 25.46 | 34.10 |
| 2*07 | 18.00 | 39.90 | 28.46 | 37.10 |
| 2*08 | 21.00 | 42.90 | 31.46 | 40.10 |
| 2*09 | 24.00 | 46.00 | 34.46 | 43.10 |
| 2*10 | 27.00 | 49.00 | 37.46 | 46.10 |
| 2*11 | 30.00 | 51.80 | 40.46 | 49.10 |
| 2*12 | 33.00 | 54.90 | 43.46 | 52.10 |

Dimensions(mm)

- ① Series No.
- ② Category: H-HSG
- ③ Welding Board Angle: M-Male HSG
- ④ Row No.-Pin No.: 2*XX-2*02P~2*10P
- ⑤ Plug the Pin & special No.: WS-With Base
- ⑥ Material: N2-PA66 94V-2;
- ⑦ Color: Blank-natural color Black

X3025 H M-2*XX WS-N2 XX

- Specifications :
- Voltage rating: 250V AC / DC
 - Current rating: 5A AC / DC
 - Withstanding voltage: 1500V AC/minute
 - Temperature range: -25°C~+85°C
 - Insulation resistance: $\geq 1000M\Omega$
 - Contact resistance: $\leq 10m\Omega$
 - After environmental testing: $\leq 20m\Omega$



Authorized Signatures

For and on behalf of
KXB INDUSTRIAL PRECISION CO., LIMITED
 香港星坤工業精密有限公司

| MARK | DESCRIPTION | DATE | REVISED | APPROVED | UNSPECIFIED TOLERANCES |
|------|-------------|------|---------|----------|------------------------|
| △ X | | | | | L > 63 |
| △ X | | | | | 16 < L ≤ 63 |
| △ X | | | | | 4 < L ≤ 16 |
| | | | | | L ≤ 4 |
| | | | | | ANGULAR |

| REVISIONS | DATE | REVISED | APPROVED | UNSPECIFIED TOLERANCES |
|-----------|------|---------|----------|------------------------|
| | | | | L > 63 |
| | | | | 16 < L ≤ 63 |
| | | | | 4 < L ≤ 16 |
| | | | | L ≤ 4 |
| | | | | ANGULAR |

| DATE | SCALE: N/A | MODEL TYPE: X3025HM-2*XX-N2 |
|------|------------|-----------------------------|
| DNSD | | |
| DWN | | |
| CHKD | | |
| APPD | | |

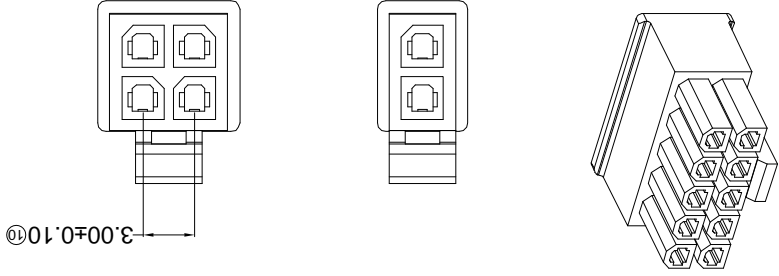
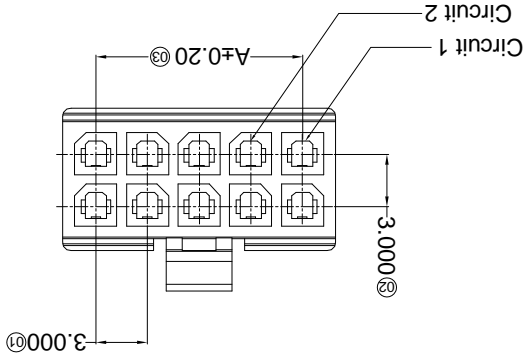
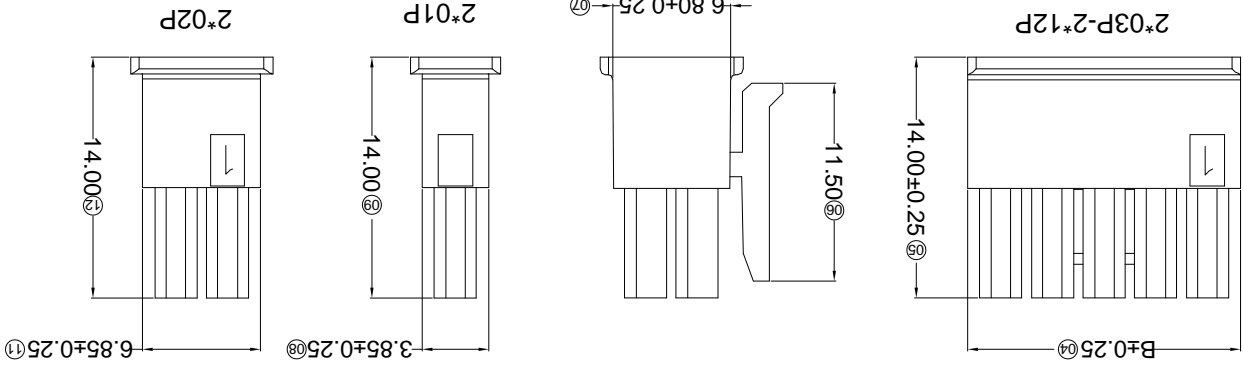
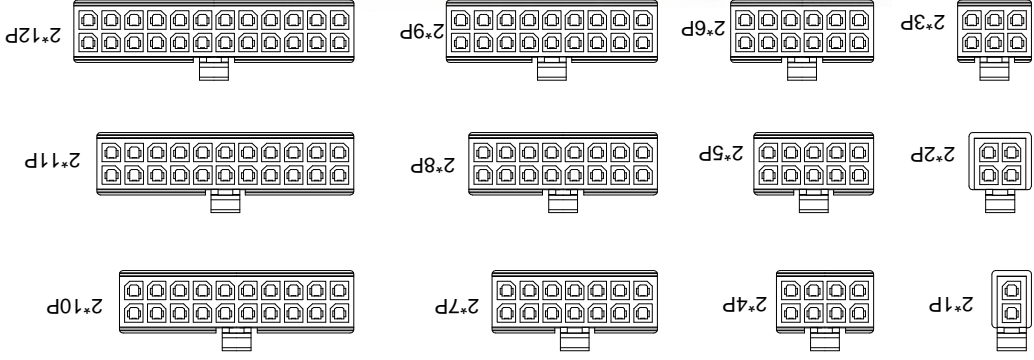
| DATE | VIEW: | PART NO.: 3.00 mm Crimp Style Connectors |
|------|-------|--|
| | | |
| | | |
| | | |

| DATE | SIZE: A4 | WEIGHT: 1.0g |
|------|----------|--------------|
| | | |
| | | |
| | | |

| REVISION | SHEET | 8 |
|----------|-------|---|
| | | |
| | | |
| | | |

| PART NO | Material | Suitable SWB Terminal | Mates With XKB Water |
|-----------------|----------------|-----------------------|----------------------|
| X3025HM-2*XX-N2 | Nylon 66 94V-2 | X3025TF | X3025W |

| Poles | Dimensions(mm) | | Poles | Dimensions(mm) | |
|-------|----------------|-------|-------|----------------|-------|
| | A | B | | A | B |
| 2*01 | 2*07 | 18.00 | 2*01 | 2*07 | 21.85 |
| 2*02 | 3.00 | 24.00 | 2*02 | 2*08 | 24.85 |
| 2*03 | 6.00 | 27.85 | 2*03 | 2*09 | 27.85 |
| 2*04 | 9.00 | 30.85 | 2*04 | 2*10 | 30.85 |
| 2*05 | 12.00 | 33.85 | 2*05 | 2*11 | 33.85 |
| 2*06 | 15.00 | 36.85 | 2*06 | 2*12 | 36.85 |



- Specifications :
- Voltage rating: 250V AC / DC
 - Current rating: 5A AC / DC
 - Withstanding voltage: 1000V AC/minute
 - Temperature range: -25°C~+85°C
 - Insulation resistance: ≥1000MΩ
 - Contact resistance: ≤10mΩ
 - After environmental testing: ≤20mΩ
- ① Series No. X3025 H M-2*XX XX-N2 XX
- ② Category: H-HSG
- ③ Welding Board Angle: M-Male HSG
- ④ Row No.-Pin No.: 2*XX-2*01P~2*12P
- ⑤ Plug the Pin & special No.:
- ⑥ Material: N2-PA66 94V-2;
- ⑦ Color: Blank-Natural Color

REVISIONS
Authorized Signature(s)

| MARK | DESCRIPTION | DATE | REVISED | APPROVED | UNSPECIFIED TOLERANCES |
|------|-------------|------|---------|----------|------------------------|
| △ X | | | | | L > 63 ± 0.5 |
| △ X | | | | | 16 < L ≤ 63 ± 0.4 |
| △ X | | | | | 4 < L ≤ 16 ± 0.3 |
| △ X | | | | | L ≤ 4 ± 0.2 |
| | | | | | ANGULAR ± 5° |

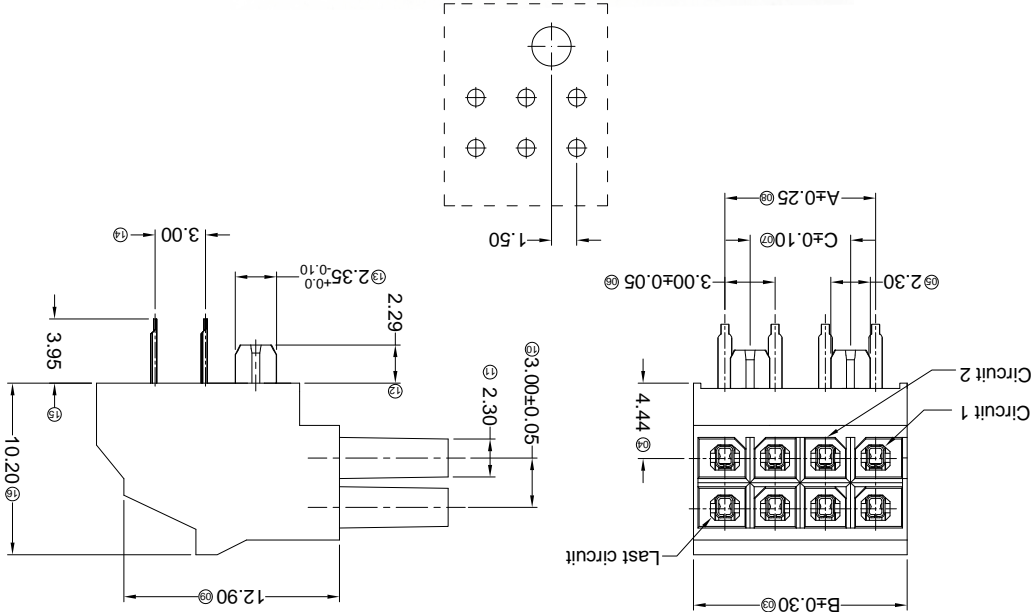
For and on behalf of
XKB INDUSTRIAL PRECISION CO., LIMITED
香港星坤工業精密有限公司

XKB INDUSTRIAL PRECISION CO., LIMITED

| | |
|-------------|--------------------------------|
| WEIGHT | 1.0g |
| SHEET | 1/1 |
| REVISION | A0 |
| SIZE: | A4 |
| UNIT: | mm |
| VIEW: | |
| SCALE: | N/A |
| MODEL TYPE: | X3025HR-2*XX-LPSN |
| PART NO.: | |
| DWG NO.: | 3.00 mm Crimp Style Connectors |

| Part No. | Material | Material(Pin) | Finish(Pin) | Mates With XKB Housing |
|-------------------|--------------|---------------|-------------|------------------------|
| X3025HR-2*XX-LPSN | LCP UL 94V-0 | Brass | Tin-Plated | X3025HW or 3025H |

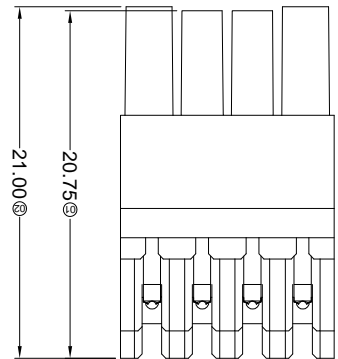
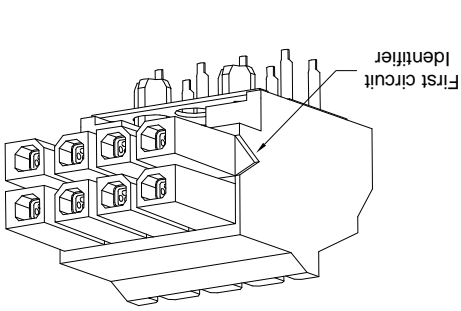
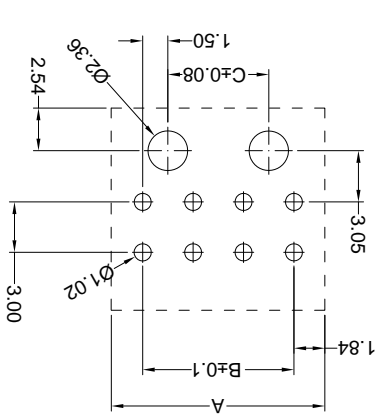
| Poles | Dimensions(mm) | | |
|-------|----------------|-------|-------|
| | A | B | C |
| 2'02 | 3.00 | 6.70 | 2'08 |
| 2'03 | 6.00 | 9.70 | 2'09 |
| 2'04 | 9.00 | 12.70 | 2'10 |
| 2'05 | 12.00 | 15.70 | 2'11 |
| 2'06 | 15.00 | 18.70 | 2'12 |
| 2'07 | 18.00 | 21.70 | 15.00 |



- ① Series No.
- ② Category: H-HSG
- ③ Welding Board Angle: BOARD-IN-R-90°
- ④ Row No.-Pin No.: 2*XX-2*02P~2*12P
- ⑤ Plug the Pin & special No.:
- ⑥ Material: LP-LCP 94V-0;
- ⑦ Plating Category: SN-Bright tin plating
- ⑧ Color: Blank-Natural Color

X3025 H R-2*XX LP SN XX
① ② ③ ④ ⑤ ⑥ ⑦ ⑧

- Specifications :
- Voltage rating: 250V AC / DC
- Current rating: 5A AC / DC
- Withstanding voltage: 1000V AC/minute
- Temperature range: -25°C~+85°C
- Insulation resistance: ≥1000MΩ
- Contact resistance: ≤10mΩ
- After environmental testing: ≤20mΩ



For and on behalf of
KXB INDUSTRIAL PRECISION CO., LIMITED
 香港星坤工業精密有限公司

| MARK | DESCRIPTION | DATE | REVISIONS | UNSPECIFIED TOLERANCES |
|------|-------------|------|-----------|------------------------|
| △ X | | | | L > 63 ±0.5 |
| △ X | | | | 16 < L ≤ 63 ±0.4 |
| △ X | | | | 4 < L ≤ 16 ±0.3 |
| △ X | | | | L ≤ 4 ±0.2 |
| | | | | ANGULAR ±5° |

| MARK | DESCRIPTION | DATE | REVISIONS | UNSPECIFIED TOLERANCES |
|------|-------------|------|-----------|------------------------|
| △ X | | | | L > 63 ±0.5 |
| △ X | | | | 16 < L ≤ 63 ±0.4 |
| △ X | | | | 4 < L ≤ 16 ±0.3 |
| △ X | | | | L ≤ 4 ±0.2 |
| | | | | ANGULAR ±5° |

| Part No. | Material | Material(Pin) | Finish(Pin) | Mates With KXB Housing |
|-------------------|--------------|---------------|-------------|------------------------|
| X3025HV-2*XX-LPSN | LCP UL 94V-0 | Brass | Tin-Plated | X3025HW or 3025H |

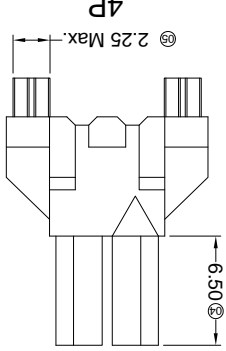
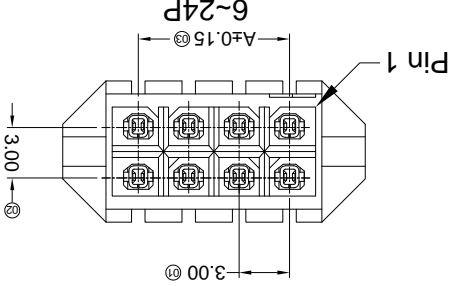
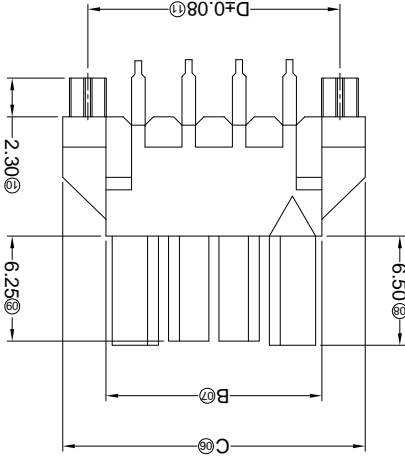
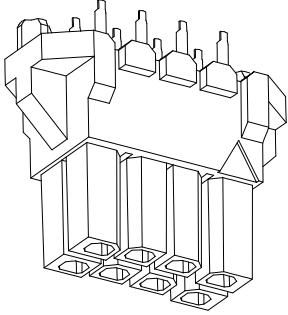
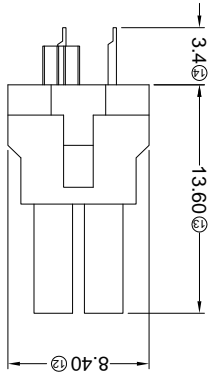
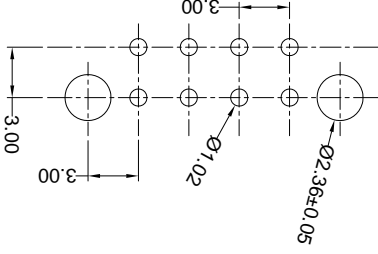
| Poles | Dimensions(mm) | | | |
|-------|----------------|-------|-------|-------|
| | A | B | C | D |
| 2*02 | 3.00 | 6.85 | 12.00 | 9.00 |
| 2*03 | 6.00 | 9.85 | 15.00 | 12.00 |
| 2*04 | 9.00 | 12.85 | 18.00 | 15.00 |
| 2*05 | 12.00 | 15.85 | 21.00 | 18.00 |
| 2*06 | 15.00 | 18.85 | 24.00 | 21.00 |
| 2*07 | 18.00 | 21.85 | 27.00 | 24.00 |
| 2*08 | 21.00 | 24.85 | 30.00 | 27.00 |
| 2*09 | 24.00 | 27.85 | 33.00 | 30.00 |
| 2*10 | 27.00 | 30.85 | 36.00 | 33.00 |
| 2*11 | 30.00 | 33.85 | 39.00 | 36.00 |
| 2*12 | 33.00 | 36.85 | 42.00 | 39.00 |

- ① Series No.
- ② Category: H-HSG
- ③ Welding Board Angle: BOARD-IN: V-180°
- ④ Row No.-Pin No.: 2*XX-2*02P~2*12P
- ⑤ Plug the Pin & special No.:
- ⑥ Material: LP-LCP 94V-0;
- ⑦ Plating Category: SN-Bright tin plating
- ⑧ Color: Blank-Natural Color

X3025 H V-2*XX LP SN XX

- Voltage rating: 250V AC / DC
- Current rating: 5A AC / DC
- Withstanding voltage: 1000V AC/minute
- Temperature range: -25°C~+85°C
- Insulation resistance: ≥1000MΩ
- Contact resistance: ≤10mΩ
- After environmental testing: ≤20mΩ

Recommended P.C.B Layout



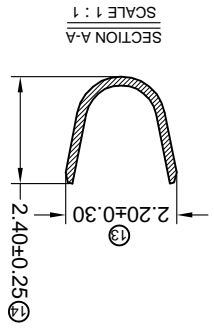
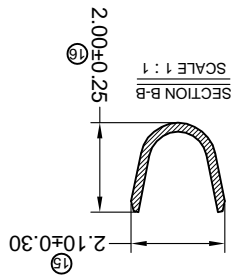
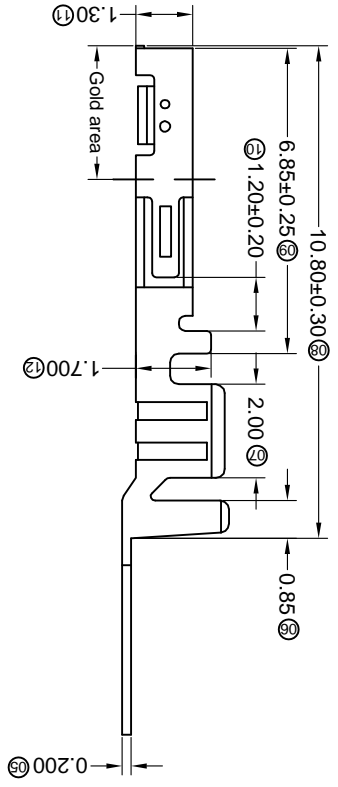
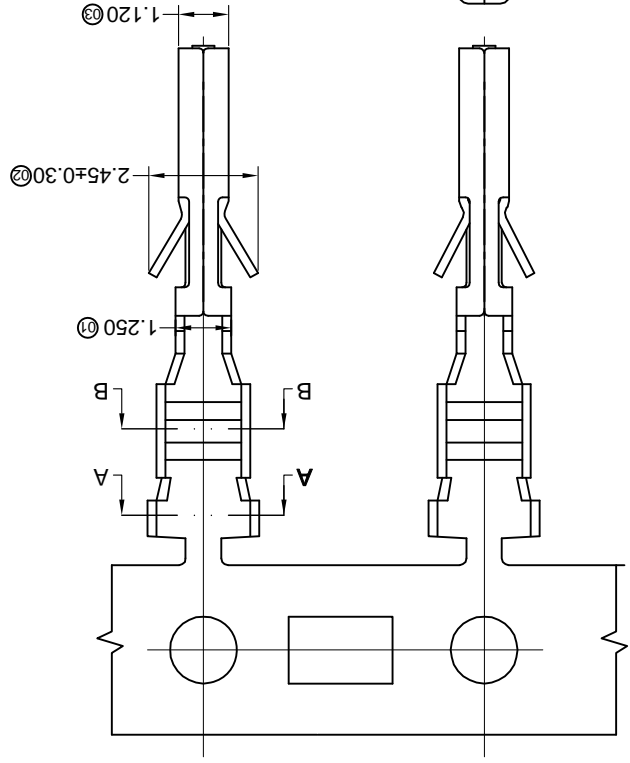
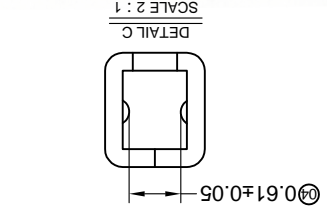
For and on behalf of
XKB INDUSTRIAL PRECISION CO., LIMITED
 香港星坤工業精密有限公司

REVISIONS
 Authorized Signature(s)

| MARK | DESCRIPTION | DATE | REVISED | APPROVED | UNSPECIFIED TOLERANCES |
|------|-------------|------|---------|----------|------------------------|
| △ X | | | | | L > 63 ± 0.5 |
| △ X | | | | | 16 > L ≤ 63 ± 0.4 |
| △ X | | | | | 4 < L ≤ 16 ± 0.3 |
| △ X | | | | | L ≤ 4 ± 0.2 |
| | | | | | ANGULAR ± 5° |

| DATE | DATE | DATE | DATE | DATE | DATE |
|--------------------------|-----------|--------------------------------|----------|--------------|------|
| DNSD | DWN | CHKD | APPD | | |
| SCALE: N/A | VIEW: | UNIT: mm | SIZE: A4 | | |
| MODEL TYPE: X3025TF-PXXX | PART NO.: | 3.00 mm Crimp Style Connectors | | DWG NO.: | |
| | | | | WEIGHT: 1.0g | |
| | | | | SHEET: 1/1 | |
| | | | | REVISION: A0 | |

| PART NO | Material | Wire Range | Insulation O.D. | Finish | Used in XKB Housing |
|--------------|-----------------|------------|-----------------|--|---------------------|
| X3025TF-PG30 | Phosphor Bronze | AWG#20-24 | 1.85mm(Max) | Stamping Before Plating:30~50u" Ni;Contact Area Gold:30u" Min. | X3025HM |
| X3025TF-PG15 | | | | Stamping Before Plating:30~50u" Ni;Contact Area Gold:15u" Min. | |
| X3025TF-PG01 | | | | Stamping Before Plating:30~50u" Ni;Contact Area Gold Flash | |
| X3025TF-PSN | | | | Stamping Before Plating:30~50u" Ni;70~120u" Sn | |



X3025 T F-P XX X-X

Series Number

Category: T-terminal

Shape: F-Female Terminal

Material: P-Phosphor bronze

Plating style:

G-Gold-Plated Contact

*01-Gold Flash *15-15u" *30-30u"

SN-Bright tin plating 70-120u"

Plating method:

Blank-Stamping before plating

Mold No./Mark/Special No.

- Specifications :
- Voltage rating: 250V AC / DC
 - Current rating: 5A AC / DC
 - Withstanding voltage: 1000V AC/minute
 - Temperature range: -40°C~+85°C
 - Insulation resistance: ≥1000MΩ
 - Contact resistance: ≤10mΩ
 - After environmental testing: ≤20mΩ

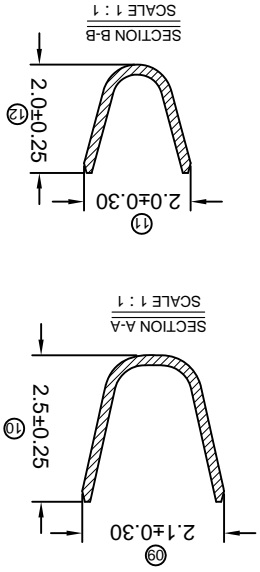
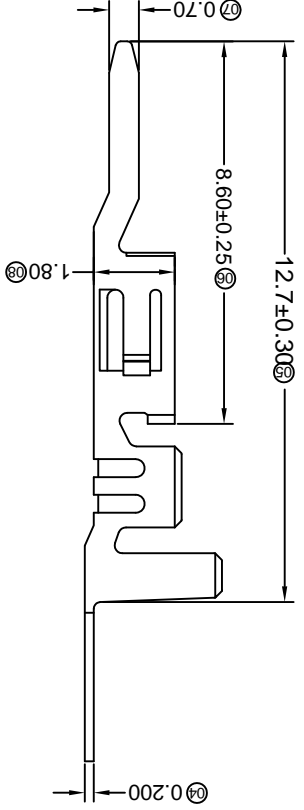
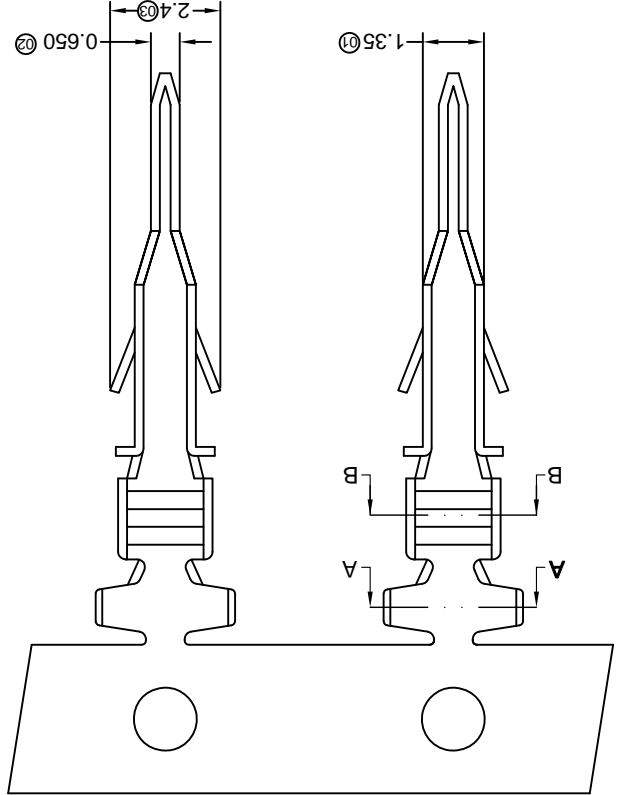
REVISIONS
Authorized Signature(s)

For and on behalf of
XKB INDUSTRIAL PRECISION CO., LIMITED
香港星坤工業精密有限公司

| MARK | DESCRIPTION | DATE | REVISED | APPROVED | UNSPECIFIED TOLERANCES |
|------|-------------|------|---------|----------|------------------------|
| △ X | | | | | L > 63 |
| △ X | | | | | 16 > L ≤ 63 |
| △ X | | | | | 4 < L ≤ 16 |
| | | | | | L ≤ 4 |
| | | | | | ANGULAR |
| | | | | | ± 5° |

| DATE | SCALE: N/A | MODEL TYPE: X3025TM-PXX |
|------|------------|-------------------------|
| DATE | VIEW: | PART NO.: |
| DATE | UNIT: mm | DWG NO.: |
| DATE | SIZE: A4 | REVISION |
| DATE | | SHEET |
| DATE | | 1/1 |
| DATE | | WEIGHT |
| DATE | | 1.0g |
| DATE | | REVISION |
| DATE | | A0 |

| PART NO | Material | Wire Range | Insulation O.D. | Finish |
|--------------|-----------------|------------|-----------------|---|
| X3025TM-PSN | Phosphor Bronze | AWG#20-24 | 1.85mm(Max) | Stamping Before Plating:30u" Ni;70u" Sn |
| X3025TM-PG01 | | | | Stamping Before Plating:30u" Ni>Contact Area Gold Flash |
| X3025TM-PG15 | | | | Stamping Before Plating:30u" Ni>Contact Area Gold:15u" Min. |
| X3025TM-PG30 | | | | Stamping Before Plating:30u" Ni>Contact Area Gold:30u" Min. |



- Specifications :**
- Voltage rating: 250V AC / DC
 - Current rating: 5A AC / DC
 - Withstanding voltage: 1000V AC/minute
 - Temperature range: -25°C~+85°C
 - Insulation resistance: ≥1000MΩ
 - Contact resistance: ≤10mΩ
 - After environmental testing: ≤20mΩ
- X3025 T-M-P XX X-X**
- ① Series Number
 - ② Category: T-terminal
 - ③ Shape: M-Male Terminal
 - ④ Material: P-Phosphor bronze
 - ⑤ Plating style: G-Gold-Plated Contact
 - ⑥ SN-Bright tin plating 70u"
 - ⑦ *01-Gold Flash *15-15u" *30-30u"
 - ⑧ Plating method: Blank-Stamping before plating
 - ⑨ Mold No./Mark/Special No.

For and on behalf of
KKB INDUSTRIAL PRECISION CO., LIMITED
 香港星坤工業精密有限公司

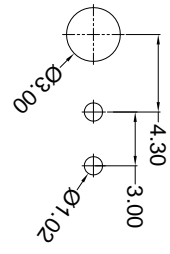
REVISIONS
 Authorized Signatures(s)

| MARK | DESCRIPTION | DATE | REVISED | APPROVED | UNSPECIFIED TOLERANCES |
|------|-------------|------|---------|----------|------------------------|
| △ X | | | | | L > 63 ± 0.5 |
| △ X | | | | | 16 > L ≤ 63 ± 0.4 |
| △ X | | | | | 4 < L ≤ 16 ± 0.3 |
| △ X | | | | | L ≤ 4 ± 0.2 |
| | | | | | ANGULAR ± 5° |

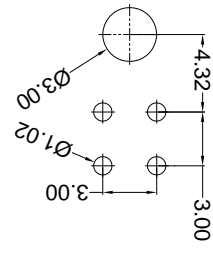
| DATE | DATE | DATE | DATE | DATE | DATE | DATE | DATE | DATE | DATE | |
|------------|-------|----------|----------|--------------------------------|-----------|--------------------------------|----------|--------------|------------|--------------|
| SCALE: N/A | VIEW: | UNIT: mm | SIZE: A4 | MODEL TYPE: X3025WR-2*XX-N0XXX | PART NO.: | 3.00 mm Crimp Style Connectors | DWG NO.: | WEIGHT: 1.0g | SHEET: 1/1 | REVISION: A0 |
| DNSD | DWN | CHKD | APPD | | | | | | | |

| Part No. | Material | Material(Pin) | Finish(Pin) | Mates With KKB Housing |
|--------------------|-------------------|---------------|--------------|------------------------|
| X3025WR-2*XX-N0G01 | Nylon 66 UL 94V-0 | Brass | Tin-Plated | X3025H |
| X3025WR-2*XX-N0SN | Nylon 66 UL 94V-0 | Brass | Contact Gold | |

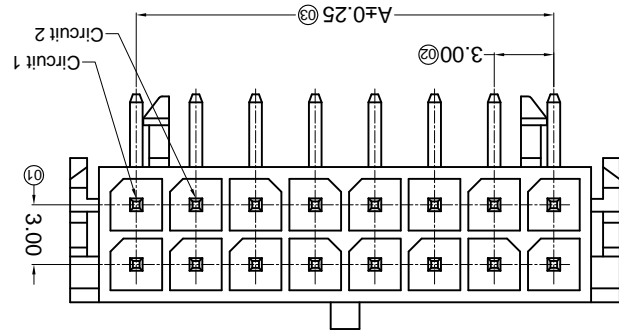
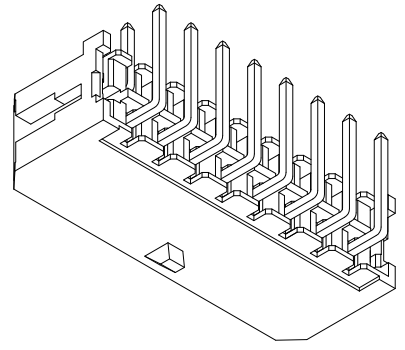
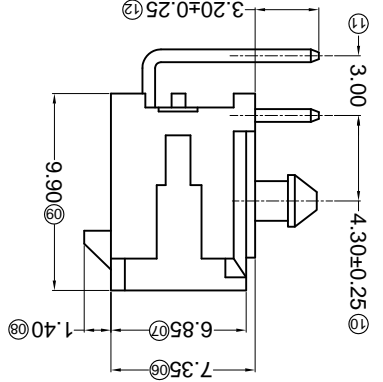
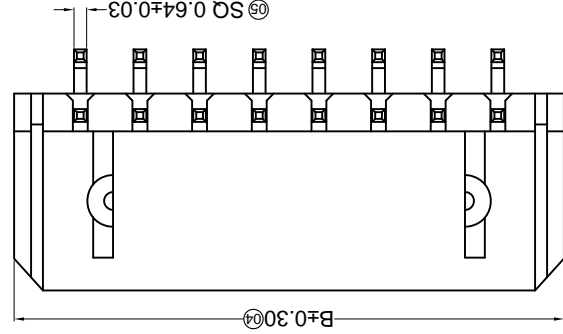
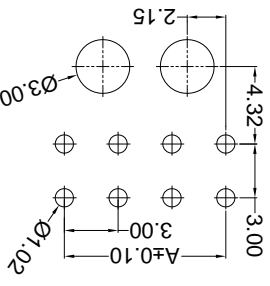
2P P.C.B LAYOUT



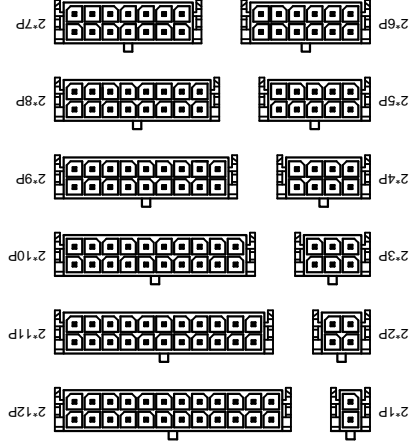
4P-6P P.C.B LAYOUT



8P-24P P.C.B LAYOUT



Scale 1:3



| Dimensions (mm) | A | B |
|-----------------|-------|-------|
| 2*01 | --- | 6.65 |
| 2*02 | 3.00 | 9.65 |
| 2*03 | 6.00 | 12.65 |
| 2*04 | 9.00 | 15.65 |
| 2*05 | 12.00 | 18.65 |
| 2*06 | 15.00 | 21.65 |
| 2*07 | 18.00 | 24.65 |
| 2*08 | 21.00 | 27.65 |
| 2*09 | 24.00 | 30.65 |
| 2*10 | 27.00 | 33.65 |
| 2*11 | 30.00 | 36.65 |
| 2*12 | 33.00 | 39.65 |

- ① Series No.
 - ② Category: W-water
 - ③ Welding Board Angle: R-90°
 - ④ Welding Way: Blank-DIP
 - ⑤ Row No.-Pin No.: 2*XX-2*01P-2*12P
 - ⑥ Special NO.:
 - ⑦ Material: N0-PA66 94V-0
 - ⑧ Plating Category: G01-Contact Gold Flash; SN-Bright tin plating
 - ⑨ Color: Blank-natural color
- X3025 WR X-2*XX X-N0 XX XX
 ① ② ③ ④ ⑤ ⑥ ⑦ ⑧ ⑨

- Specifications:
- Voltage rating: 250V AC / DC
 - Current rating: 5A AC / DC
 - Withstanding voltage: 1000V AC/minute
 - Temperature range: -25°C~+85°C
 - Insulation resistance: ≥1000MΩ
 - Contact resistance: ≤10mΩ
 - After environmental testing: ≤20mΩ

For and on behalf of
XKB INDUSTRIAL PRECISION CO., LIMITED
 香港星坤工業精密有限公司

REVISIONS
 Authorized Signature(s)

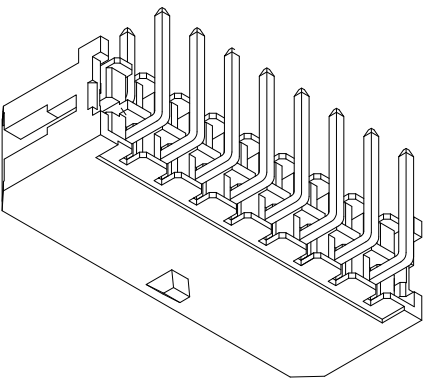
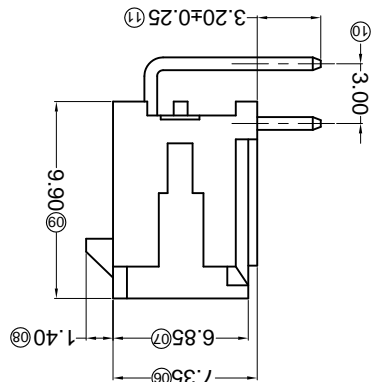
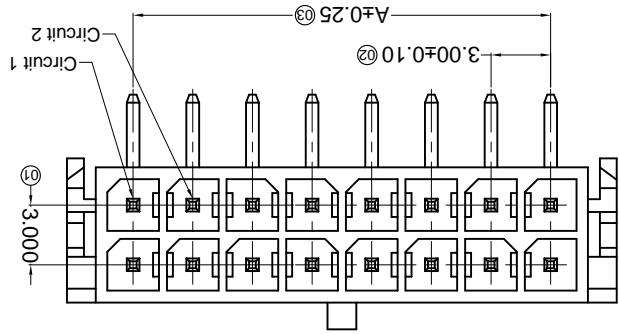
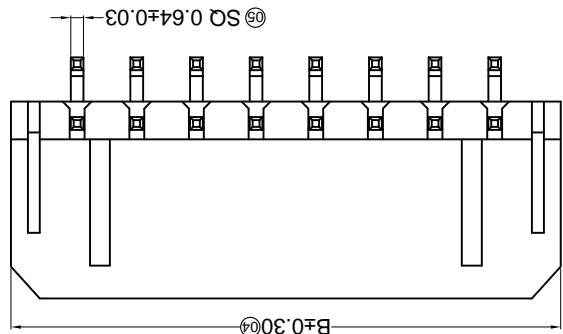
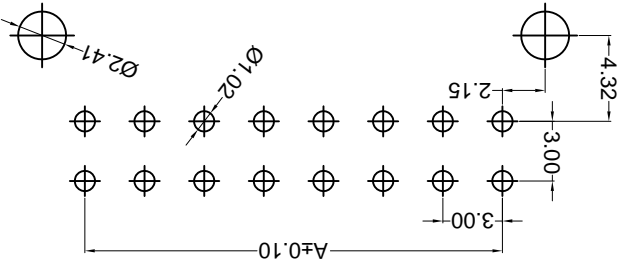
| MARK | DESCRIPTION | DATE | REVISED | APPROVED | UNSPECIFIED TOLERANCES |
|------|-------------|------|---------|----------|------------------------|
| △ X | | | | | L > 63 ±0.5 |
| △ X | | | | | 16 < L ≤ 63 ±0.4 |
| △ X | | | | | 4 < L ≤ 16 ±0.3 |
| | | | | | L ≤ 4 ±0.2 |
| | | | | | ANGULAR ±5° |

| MODEL TYPE | SCALE | DATE | DATE | DATE | DATE | SIZE |
|-------------------------------|-------|----------|------|------|------|----------|
| X3025WR-2*XXB-XXSN | N/A | | | | | A4 |
| PART NO.: | VIEW: | DATE | DATE | DATE | DATE | UNIT: mm |
| 300 mm Crimp Style Connectors | | | | | | |
| DWG NO.: | | | | | | |
| | | | | | | |
| WEIGHT | SHEET | REVISION | | | | |
| 1.0g | 1/1 | A0 | | | | |

| Poles | Dimensions (mm) | | Poles | | Dimensions (mm) | |
|-------|-----------------|-------|-------|-------|-----------------|-------|
| | A | B | A | B | A | B |
| 2*01 | --- | 6.65 | 2*07 | 18.00 | 24.65 | 24.65 |
| 2*02 | 3.00 | 9.65 | 2*08 | 21.00 | 27.65 | 27.65 |
| 2*03 | 6.00 | 12.65 | 2*09 | 24.00 | 30.65 | 30.65 |
| 2*04 | 9.00 | 15.65 | 2*10 | 27.00 | 33.65 | 33.65 |
| 2*05 | 12.00 | 18.65 | 2*11 | 30.00 | 36.65 | 36.65 |
| 2*06 | 15.00 | 21.65 | 2*12 | 33.00 | 39.65 | 39.65 |

| Part No. | Material | Material(Pin) | Finish(Pin) | Mates With XKB Housing |
|---------------------|-------------------|---------------|-------------|------------------------|
| X3025WR-2*XXB-N0SN | Nylon 66 UL 94V-0 | Brass | Tin-Plated | X3025H |
| X3025WR-2*XXB-46SN | Nylon 46 UL 94V-0 | | | |
| X3025WR-2*XXB-LP-SN | LCP UL 94V-0 | | | |

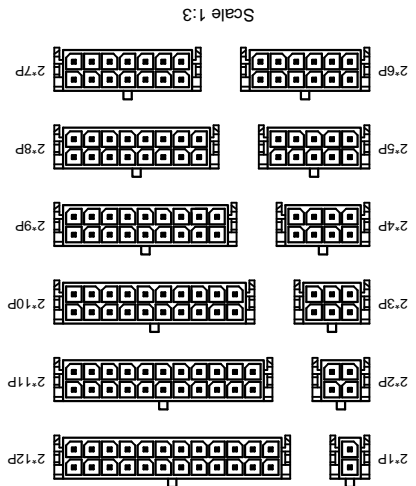
Recommended P.C.B Layout
 General Tolerance±0.05



Specifications :

- Voltage rating: 250V AC / DC
- Current rating: 5A AC / DC
- Withstanding voltage: 1000V AC/minute
- Temperature range: -25°C~+85°C
- Insulation resistance: ≥1000MΩ
- Contact resistance: ≤10mΩ
- After environmental testing: ≤20mΩ

X3025 W R X-2*XX B-XX XX XX
 ① Series No.
 ② Category: W-water
 ③ Welding Board Angle: R-90°
 ④ Welding Way: Blank-DIP
 ⑤ Row No.-Pin No.: 2*XX-2*01P-2*12P
 ⑥ Special NO.: B-Without positioning column
 ⑦ Material: 46-PA46 94V-0 N0-PA66 94V-0 LP-LCP 94V-0
 ⑧ Plating Category: SN-Bright tin plating
 ⑨ Color: Blank-natural color



For and on behalf of
XKB INDUSTRIAL PRECISION CO., LIMITED
 香港星坤工業精密有限公司

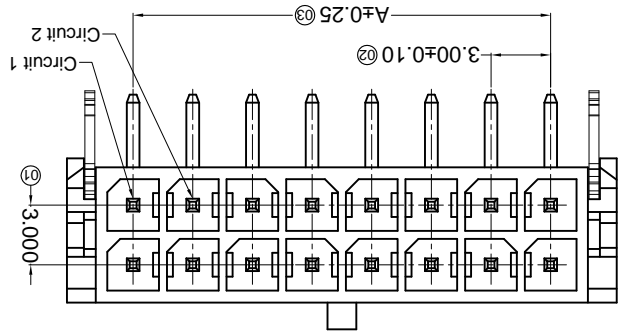
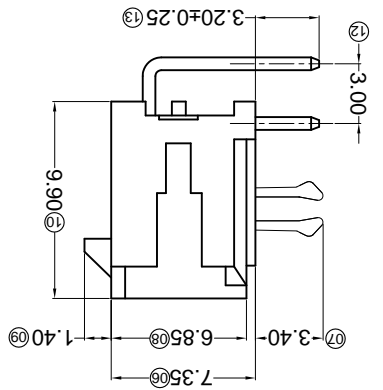
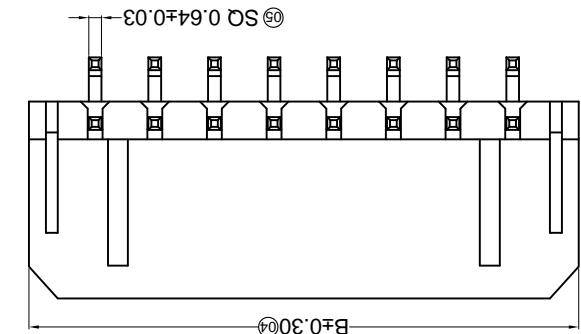
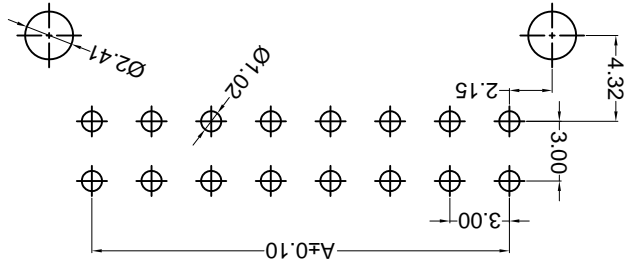
| MARK | DESCRIPTION | DATE | REVISIONS | APPROVED | REVISOR | DATE | UNSPECIFIED TOLERANCES |
|------|-------------|------|-----------|----------|---------|------|------------------------|
| △ X | | | | | | | L > 63 ±0.5 |
| △ X | | | | | | | 16 < L ≤ 63 ±0.4 |
| △ X | | | | | | | 4 < L ≤ 16 ±0.3 |
| △ X | | | | | | | L ≤ 4 ±0.2 |
| | | | | | | | ANGULAR ±5° |

Authorized Signature(s)

| DSND | DATE | SCALE: N/A | MODEL TYPE: X3025WR-2*XXC-XXX |
|------|--|------------|--|
| DWN | DATE <td>VIEW: </td> <td>PART NO.: 3.00 mm Crimp Style Connectors</td> | VIEW: | PART NO.: 3.00 mm Crimp Style Connectors |
| CHKD | DATE <td>UNIT: mm</td> <td>DWG NO.:</td> | UNIT: mm | DWG NO.: |
| APPD | DATE <td>SIZE: A4</td> <td>WEIGHT 1.0g</td> | SIZE: A4 | WEIGHT 1.0g |

| REVISION | SHEET | 1/1 | 8 |
|----------|-------|-----|---|
|----------|-------|-----|---|

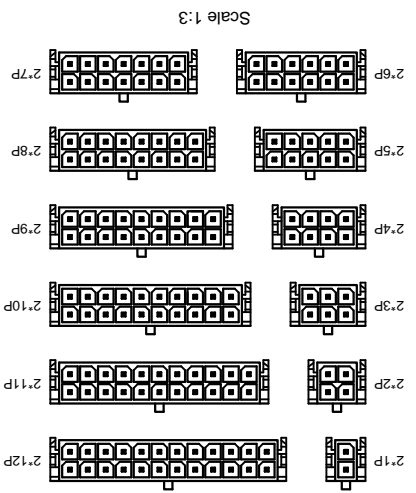
Recommended P.C.B Layout
 General Tolerance±0.05



■ Specifications :

- Voltage rating: 250V AC / DC
- Current rating: 5A AC / DC
- Withstanding voltage: 1000V AC/minute
- Temperature range: -25°C~+85°C
- Insulation resistance: ≥1000MΩ
- Contact resistance: ≤10mΩ
- After environmental testing: ≤20mΩ

- X3025 W R X-2*XX C-XX XX XX
- ① Series No.
 - ② Category: W-water
 - ③ Welding Board Angle: R-90°
 - ④ Welding Way: Blank-DIP
 - ⑤ Row No.-Pin No.: 2*XX-2*01P~2*12P
 - ⑥ Special NO.: C-The harpoon
 - ⑦ Material: 46-PA46 94V-0 NO-PA66 94V-0 LP-LCP 94V-0
 - ⑧ Plating Category: G*:Gold-Plated Contact *02-2u"
 - ⑨ Color: Blank-natural color



| Poles | A | B | Dimensions (mm) |
|-------|-------|-------|-----------------|
| 2*01 | --- | 6.65 | |
| 2*02 | 3.00 | 9.65 | |
| 2*03 | 6.00 | 12.65 | |
| 2*04 | 9.00 | 15.65 | |
| 2*05 | 12.00 | 18.65 | |
| 2*06 | 15.00 | 21.65 | |
| 2*07 | 18.00 | 24.65 | |
| 2*08 | 21.00 | 27.65 | |
| 2*09 | 24.00 | 30.65 | |
| 2*10 | 27.00 | 33.65 | |
| 2*11 | 30.00 | 36.65 | |
| 2*12 | 33.00 | 39.65 | |

| Part No. | Material | Material(Pin) | Finish(Pin) | Mates With XKB Housing |
|--------------------|-------------------|-------------------|-------------|------------------------|
| X3025WR-2*XXC-N0S2 | Nylon 66 UL 94V-0 | LCP UL 94V-0 | Gold Flash | X3025H |
| X3025WR-2*XXC-LP5N | Nylon 66 UL 94V-0 | LCP UL 94V-0 | Tin-Plated | |
| X3025WR-2*XXC-46SN | Nylon 46 UL 94V-0 | Nylon 46 UL 94V-0 | Tin-Plated | |
| X3025WR-2*XXC-N0SN | Nylon 66 UL 94V-0 | Nylon 66 UL 94V-0 | Tin-Plated | |

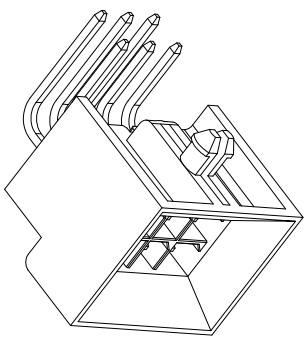
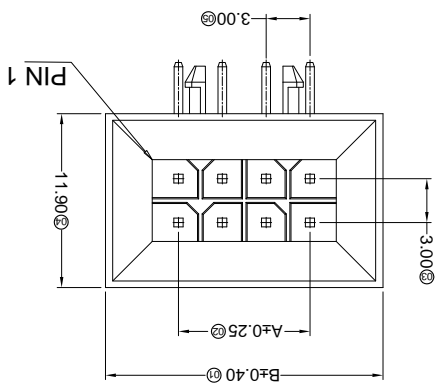
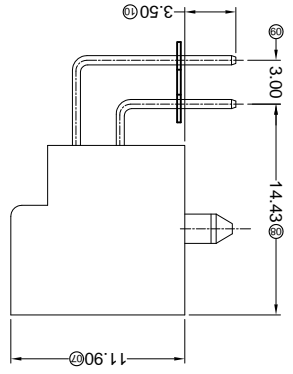
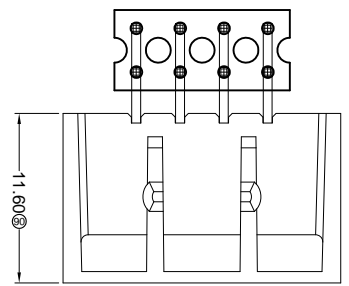
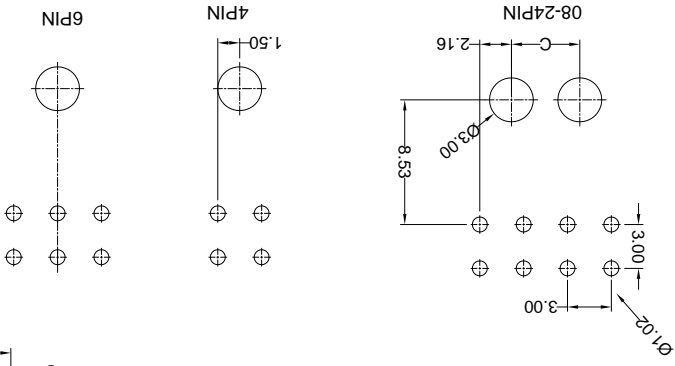
For and on behalf of
KXB INDUSTRIAL PRECISION CO., LIMITED
 香港星坤工業精密有限公司

REVISIONS
 (Authorized Signatures)

| MARK | DESCRIPTION | DATE | REVISED | APPROVED | UNSPECIFIED TOLERANCES |
|------|-------------|------|---------|----------|------------------------|
| △ X | | | | | L > 63 |
| △ X | | | | | 16 < L ≤ 63 |
| △ X | | | | | 4 < L ≤ 16 |
| △ X | | | | | L ≤ 4 |
| | | | | | ANGULAR |
| | | | | | ± 5° |

| DSND | DATE | SCALE: N/A | MODEL TYPE: X3025WR-2*XXH-LPSN |
|------|--|------------|--|
| DWN | DATE <td>VIEW: </td> <td>PART NO.: 3.00 mm Crimp Style Connectors</td> | VIEW: | PART NO.: 3.00 mm Crimp Style Connectors |
| CHKD | DATE <td>UNIT: mm</td> <td>DWG NO.:</td> | UNIT: mm | DWG NO.: |
| APPD | DATE <td>SIZE: A4</td> <td>WEIGHT: 1.0g</td> | SIZE: A4 | WEIGHT: 1.0g |
| | | | SHEET: 1/1 |
| | | | REVISION: A0 |

PCB LAYOUT: Component side



X3025 WR X-2*XX H-LP SN XX

① Series No.

② Category: W-water

③ Welding Board Angle: R-90°

④ Welding Way: Blank-DIP

⑤ Row No.-Pin No.: 2*XX-2*01P~2*12P

⑥ Special NO.: H-With Base and positioning column

⑦ Material: LP-LCP 94V-0

⑧ Planting Category: SN-Bright tin plating

⑨ Color: Blank-natural color

| Poles | Dimensions (mm) | | |
|-------|-----------------|-------|-------|
| | A | B | C |
| 2*02 | 3.00 | 13.00 | 2*08 |
| 2*03 | 6.00 | 16.00 | 2*09 |
| 2*04 | 9.00 | 19.00 | 2*10 |
| 2*05 | 12.00 | 22.00 | 2*11 |
| 2*06 | 15.00 | 25.00 | 2*12 |
| 2*07 | 18.00 | 28.00 | 13.68 |

| Part No. | Material | Material(Pin) | Finish(Pin) | Mates With XKB Housing |
|--------------------|--------------|---------------|-------------|------------------------|
| X3025WR-2*XXH-LPSN | LCP UL 94V-0 | Brass | Tin-Plated | X3025H |

- Specifications:**
- Voltage rating: 250V AC / DC
 - Current rating: 5A AC / DC
 - Withstanding voltage: 1500V AC/minute
 - Temperature range: -25°C~+85°C
 - Insulation resistance: ≥1000MΩ
 - Contact resistance: ≤10mΩ
 - After environmental testing: ≤20mΩ

REVISIONS
 (Authorized Signature(s))

| MARK | DESCRIPTION | DATE | REVISED | APPROVED | UNSPECIFIED TOLERANCES |
|------|-------------|------|---------|----------|------------------------|
| △ X | | | | | L > 63 ± 0.5 |
| △ X | | | | | 16 < L ≤ 63 ± 0.4 |
| △ X | | | | | 4 < L ≤ 16 ± 0.3 |
| △ X | | | | | L ≤ 4 ± 0.2 |
| | | | | | ANGULAR ± 5° |

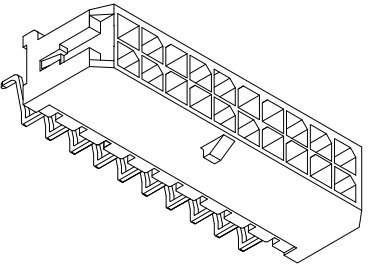
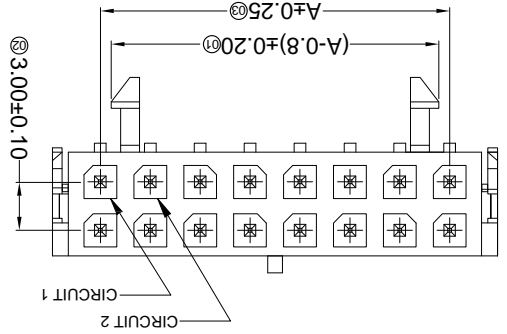
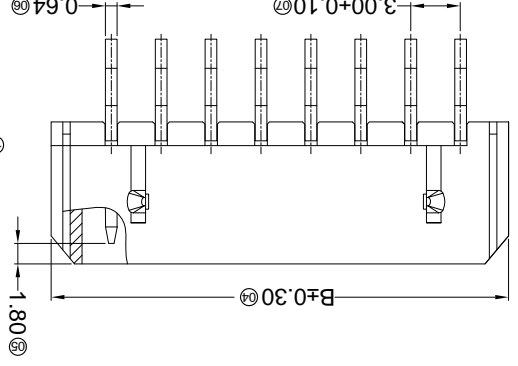
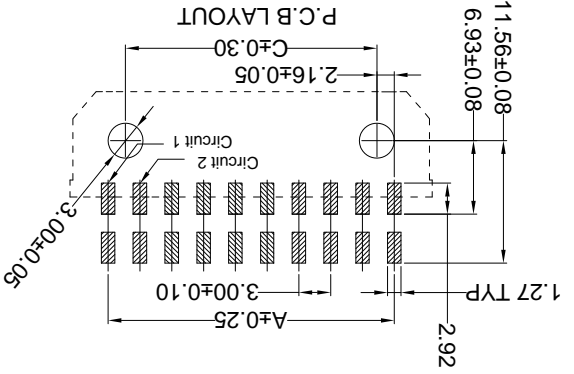
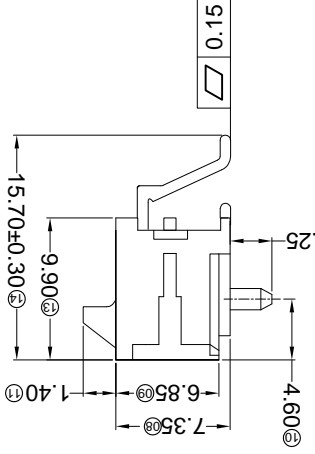
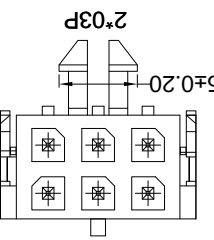
For and on behalf of
KXB INDUSTRIAL PRECISION CO., LIMITED
 香港星坤工業精密有限公司

KXB INDUSTRIAL PRECISION CO., LIMITED

| | | | | | |
|--------|------|-------|-----|----------|----|
| WEIGHT | 1.0g | SHEET | 1/1 | REVISION | A0 |
| SIZE: | A4 | DATE | | APPD | |
| UNIT: | mm | DATE | | CHKD | |
| VIEW: | | DATE | | DWN | |
| SCALE: | N/A | DATE | | DSND | |

| PART NO | Material | Material(Pin) | Finish(Pin) | Mates With XKB Housing |
|---------------------|--------------|---------------|------------------|------------------------|
| X3025WRS-2*XXA-LP5W | LCP UL 94V-0 | Brass | Tin-Plated | X3025H |
| X3025WRS-2*XXA-LP5W | LCP UL 94V-0 | Brass | Mate Tin Plating | |

| Poles | Dimensions (mm) | | |
|-------|-----------------|-------|--------|
| | A | B | C |
| 2*01 | 6.65 | 2*07 | 18.00 |
| 2*02 | 3.00 | 2*08 | 21.00 |
| 2*03 | 6.00 | 2*09 | 24.00 |
| 2*04 | 9.00 | 2*10 | 27.00 |
| 2*05 | 12.00 | 2*11 | 30.00 |
| 2*06 | 15.00 | 2*12 | 33.00 |
| 2*07 | 18.00 | 2*13 | 36.00 |
| 2*08 | 21.00 | 2*14 | 39.00 |
| 2*09 | 24.00 | 2*15 | 42.00 |
| 2*10 | 27.00 | 2*16 | 45.00 |
| 2*11 | 30.00 | 2*17 | 48.00 |
| 2*12 | 33.00 | 2*18 | 51.00 |
| 2*13 | 36.00 | 2*19 | 54.00 |
| 2*14 | 39.00 | 2*20 | 57.00 |
| 2*15 | 42.00 | 2*21 | 60.00 |
| 2*16 | 45.00 | 2*22 | 63.00 |
| 2*17 | 48.00 | 2*23 | 66.00 |
| 2*18 | 51.00 | 2*24 | 69.00 |
| 2*19 | 54.00 | 2*25 | 72.00 |
| 2*20 | 57.00 | 2*26 | 75.00 |
| 2*21 | 60.00 | 2*27 | 78.00 |
| 2*22 | 63.00 | 2*28 | 81.00 |
| 2*23 | 66.00 | 2*29 | 84.00 |
| 2*24 | 69.00 | 2*30 | 87.00 |
| 2*25 | 72.00 | 2*31 | 90.00 |
| 2*26 | 75.00 | 2*32 | 93.00 |
| 2*27 | 78.00 | 2*33 | 96.00 |
| 2*28 | 81.00 | 2*34 | 99.00 |
| 2*29 | 84.00 | 2*35 | 102.00 |
| 2*30 | 87.00 | 2*36 | 105.00 |
| 2*31 | 90.00 | 2*37 | 108.00 |
| 2*32 | 93.00 | 2*38 | 111.00 |
| 2*33 | 96.00 | 2*39 | 114.00 |
| 2*34 | 99.00 | 2*40 | 117.00 |
| 2*35 | 102.00 | 2*41 | 120.00 |
| 2*36 | 105.00 | 2*42 | 123.00 |
| 2*37 | 108.00 | 2*43 | 126.00 |
| 2*38 | 111.00 | 2*44 | 129.00 |
| 2*39 | 114.00 | 2*45 | 132.00 |
| 2*40 | 117.00 | 2*46 | 135.00 |
| 2*41 | 120.00 | 2*47 | 138.00 |
| 2*42 | 123.00 | 2*48 | 141.00 |
| 2*43 | 126.00 | 2*49 | 144.00 |
| 2*44 | 129.00 | 2*50 | 147.00 |
| 2*45 | 132.00 | 2*51 | 150.00 |
| 2*46 | 135.00 | 2*52 | 153.00 |
| 2*47 | 138.00 | 2*53 | 156.00 |
| 2*48 | 141.00 | 2*54 | 159.00 |
| 2*49 | 144.00 | 2*55 | 162.00 |
| 2*50 | 147.00 | 2*56 | 165.00 |
| 2*51 | 150.00 | 2*57 | 168.00 |
| 2*52 | 153.00 | 2*58 | 171.00 |
| 2*53 | 156.00 | 2*59 | 174.00 |
| 2*54 | 159.00 | 2*60 | 177.00 |
| 2*55 | 162.00 | 2*61 | 180.00 |
| 2*56 | 165.00 | 2*62 | 183.00 |
| 2*57 | 168.00 | 2*63 | 186.00 |
| 2*58 | 171.00 | 2*64 | 189.00 |
| 2*59 | 174.00 | 2*65 | 192.00 |
| 2*60 | 177.00 | 2*66 | 195.00 |
| 2*61 | 180.00 | 2*67 | 198.00 |
| 2*62 | 183.00 | 2*68 | 201.00 |
| 2*63 | 186.00 | 2*69 | 204.00 |
| 2*64 | 189.00 | 2*70 | 207.00 |
| 2*65 | 192.00 | 2*71 | 210.00 |
| 2*66 | 195.00 | 2*72 | 213.00 |
| 2*67 | 198.00 | 2*73 | 216.00 |
| 2*68 | 201.00 | 2*74 | 219.00 |
| 2*69 | 204.00 | 2*75 | 222.00 |
| 2*70 | 207.00 | 2*76 | 225.00 |
| 2*71 | 210.00 | 2*77 | 228.00 |
| 2*72 | 213.00 | 2*78 | 231.00 |
| 2*73 | 216.00 | 2*79 | 234.00 |
| 2*74 | 219.00 | 2*80 | 237.00 |
| 2*75 | 222.00 | 2*81 | 240.00 |
| 2*76 | 225.00 | 2*82 | 243.00 |
| 2*77 | 228.00 | 2*83 | 246.00 |
| 2*78 | 231.00 | 2*84 | 249.00 |
| 2*79 | 234.00 | 2*85 | 252.00 |
| 2*80 | 237.00 | 2*86 | 255.00 |
| 2*81 | 240.00 | 2*87 | 258.00 |
| 2*82 | 243.00 | 2*88 | 261.00 |
| 2*83 | 246.00 | 2*89 | 264.00 |
| 2*84 | 249.00 | 2*90 | 267.00 |
| 2*85 | 252.00 | 2*91 | 270.00 |
| 2*86 | 255.00 | 2*92 | 273.00 |
| 2*87 | 258.00 | 2*93 | 276.00 |
| 2*88 | 261.00 | 2*94 | 279.00 |
| 2*89 | 264.00 | 2*95 | 282.00 |
| 2*90 | 267.00 | 2*96 | 285.00 |
| 2*91 | 270.00 | 2*97 | 288.00 |
| 2*92 | 273.00 | 2*98 | 291.00 |
| 2*93 | 276.00 | 2*99 | 294.00 |
| 2*94 | 279.00 | 2*100 | 297.00 |
| 2*95 | 282.00 | 2*101 | 300.00 |
| 2*96 | 285.00 | 2*102 | 303.00 |
| 2*97 | 288.00 | 2*103 | 306.00 |
| 2*98 | 291.00 | 2*104 | 309.00 |
| 2*99 | 294.00 | 2*105 | 312.00 |
| 2*100 | 297.00 | 2*106 | 315.00 |



- ① Series No.
 ② Category: W-water
 ③ Welding Board Angle: R- Right Angle 90°
 ④ Welding Way: S-SMT
 ⑤ Row No.-Pin No.: 2*XX-2*01P-2*12P
 ⑥ Plug the Pin & Special No.: A-With Post
 ⑦ Material: LP-LCP 94V-0
 ⑧ Planting Category: SN-Bright tin plating
 ⑨ Color: Blank-natural color
 ⑩ SW-Matte Tin plating

- Specifications:
- Voltage rating: 250V AC / DC
 - Current rating: 5A AC / DC
 - Withstanding voltage: 1000V AC/minute
 - Temperature range: -25°C~+85°C
 - Insulation resistance: >1000MΩ
 - Contact resistance: <10mΩ
 - After environmental testing: <20mΩ

X3025 W R S-2*XX A-LP XX XX

For and on behalf of
KXB INDUSTRIAL PRECISION CO., LIMITED
 香港星坤工業精密有限公司

REVISIONS
 Authorized Signature(s)

| MARK | DESCRIPTION | DATE | REVISED | APPROVED | UNSPECIFIED TOLERANCES |
|------|-------------|------|---------|----------|------------------------|
| △ X | | | | | L > 63 |
| △ X | | | | | 16 < L ≤ 63 |
| △ X | | | | | 4 < L ≤ 16 |
| △ X | | | | | L ≤ 4 |
| | | | | | ANGULAR |
| | | | | | ± 5° |
| | | | | | ± 0.2 |
| | | | | | ± 0.3 |
| | | | | | ± 0.4 |
| | | | | | ± 0.5 |

| REVISION | SHEET | WEIGHT | 8 |
|----------|-------|--------|---|
| A0 | 1/1 | 1.0g | |

| DATE | SCALE: N/A | MODEL TYPE: X3025WRS-2*XXC-XXXX | 7 |
|------|------------|---------------------------------|---|
| | | | |

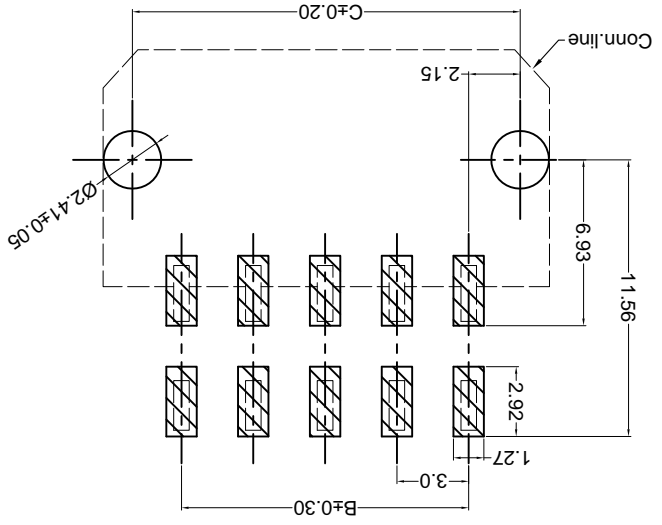
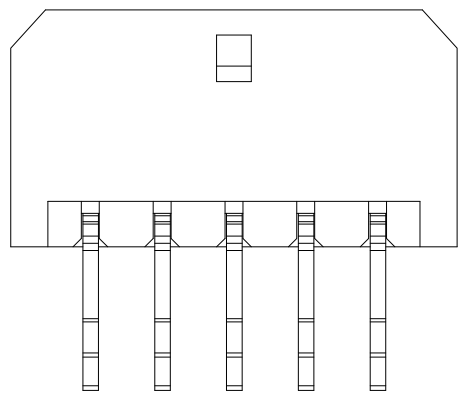
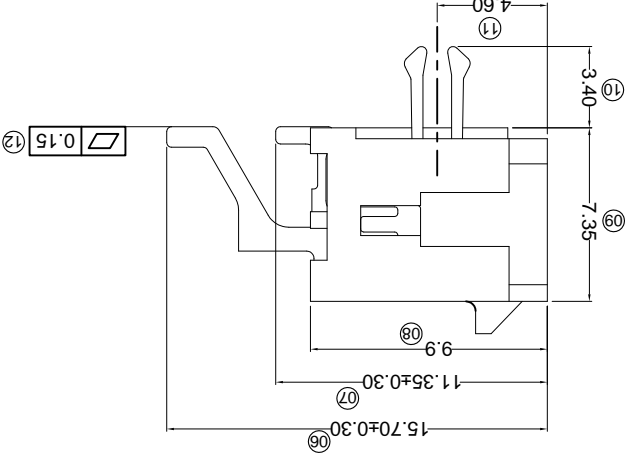
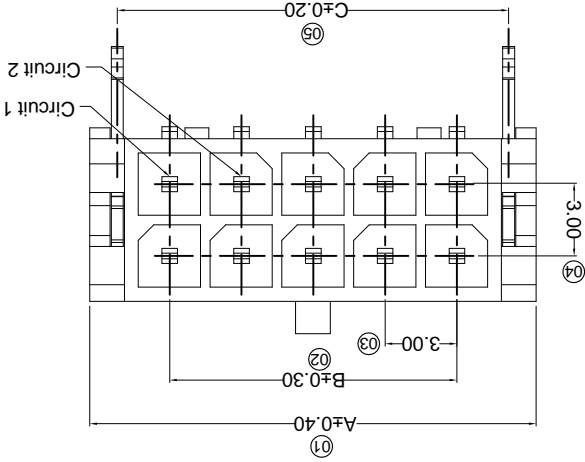
| DATE | VIEW: | PART NO.: X3025WRS-2*XXC-XXXX | 6 |
|------|-------|-------------------------------|---|
| | | | |

| DATE | UNIT: mm | DWG NO.: | 5 |
|------|----------|--|---|
| | | 3.00 mm Crimp Style Connectors <td></td> | |

| DATE | SIZE: A4 | REVISION | 4 |
|------|----------|----------|---|
| | | | |

| DATE | APPD | CHKD | DWN | DNSD | 3 |
|------|------|------|-----|------|---|
| | | | | | |

| PART NO | Material | Material(Pin) | Finish(Pin) | (Solder Tabs) | (Solder Tabs) | Mates With XKB Housing |
|---------------------|---------------|---------------|-----------------------------|---------------|-------------------|------------------------|
| X3025WRS-2*XXC-LPSW | LCP UL 94V-0 | Brass | Ni:50u"Min; Sn:120u"Min; | Brass | Finish Tabs | Mates With XKB Housing |
| X3025WRS-2*XXC-LPSN | LCP UL 94V-0 | Brass | Ni:50u"Min; Sn:120u"Min; | Brass | Tin-Plated | Mates With XKB Housing |
| X3025WRS-2*XXC-NOSN | PA66 UL 94V-0 | Brass | Ni:50u"Min; Sn:120u"Min; | Brass | Matte Tin Plating | Mates With XKB Housing |



| Poles | A | B | C |
|-------|-------|-------|-------|
| 02 | 6.65 | --- | 4.20 |
| 04 | 9.65 | 3.00 | 7.20 |
| 06 | 12.65 | 6.00 | 10.20 |
| 08 | 15.65 | 9.00 | 13.20 |
| 10 | 18.65 | 12.00 | 16.20 |
| 12 | 21.65 | 15.00 | 19.20 |
| 14 | 24.65 | 18.00 | 22.20 |
| 16 | 27.65 | 21.00 | 25.20 |
| 18 | 30.65 | 24.00 | 28.20 |
| 20 | 33.65 | 27.00 | 31.20 |
| 22 | 36.65 | 30.00 | 34.20 |
| 24 | 39.65 | 33.00 | 37.20 |

- **Specifications :**
- Voltage rating: 250V AC / DC
 - Current rating: 5A AC / DC
 - Withstanding voltage: 1000V AC/minute
 - Temperature range: -25°C~+85°C
 - Insulation resistance: ≥1000MΩ
 - Contact resistance: ≤10mΩ
 - After environmental testing: ≤20mΩ
- Series No. 01 02 03 04 05 06 07 08 09
- X3025 W R S-2*XX C-XX XX XX
- ① Series No.
- ② Category: W-water
- ③ Welding Board Angle: R-90°
- ④ Welding Way: S-SMT
- ⑤ Row No.-Pin No.: 2*XX-Double row
- ⑥ Special NO.: C-The harpoon
- ⑦ Material: LP-LCP 94V-0
- ⑧ Material: N0-PA66 94V-0
- ⑨ Plating Category: SN-Bright tin plating 70u"
- ⑩ SW-Fog Tin plating
- ⑪ Color: Blank-natural color

For and on behalf of
XKB INDUSTRIAL PRECISION CO., LIMITED
 香港星坤工業精密有限公司

| MARK | DESCRIPTION | DATE | REVISID | APPROVED | UNSPECIFIED TOLERANCES |
|------|-------------|------|---------|----------|------------------------|
| △ X | | | | | L > 63 |
| △ X | | | | | 16 < L ≤ 63 |
| △ X | | | | | 4 < L ≤ 16 |
| △ X | | | | | L ≤ 4 |
| | | | | | ANGULAR |
| | | | | | ± 5° |

| REVISIONS | DATE | APPROVED | DESCRIPTION |
|-----------|------|----------|-------------|
| | | | |

| | |
|----------|------|
| WEIGHT | 1.0g |
| SHEET | 1/1 |
| REVISION | A0 |

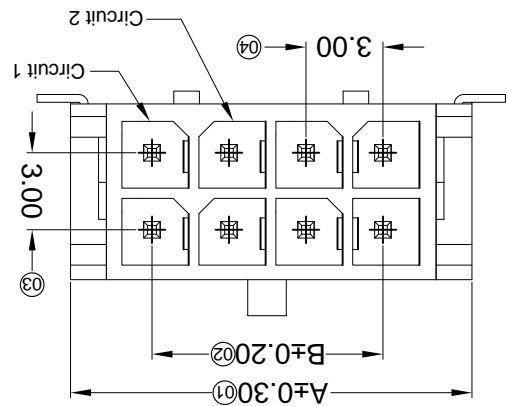
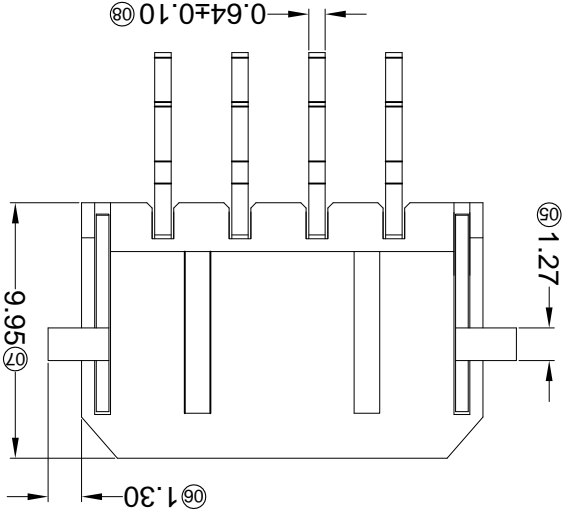
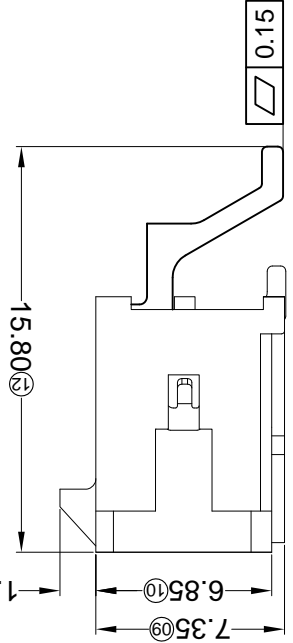
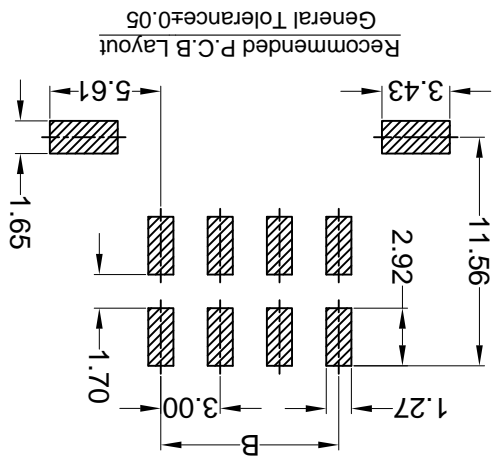
| PART NO | Material | Material(Pin) | Finish(Pin) | Material (Solder Tabs) | Finish (Solder Tabs) | Mates With XKB Housing |
|----------------------|--------------|---------------|---|------------------------|----------------------|------------------------|
| X3025WRS-2*XXD-LPSN | LCP UL 94V-0 | Brass | Tin-Plated | Brass | Tin-Plated | X3025H |
| X3025WRS-2*XXD-LPG06 | | | Ni:50µ/Min;Sn:120µ/Min;Contact Area Gold:5µ | | | |
| X3025WRS-2*XXD-LPSW | | | Matte tin | | | |

| Poles | Dimensions (mm) | | Poles | | Dimensions (mm) | |
|-------|-----------------|-------|-------|-------|-----------------|---|
| | A | B | A | B | A | B |
| 2*01 | 6.65 | --- | 2*07 | 24.65 | 18.00 | |
| 2*02 | 9.65 | 3.00 | 2*08 | 27.65 | 21.00 | |
| 2*03 | 12.65 | 6.00 | 2*09 | 30.65 | 24.00 | |
| 2*04 | 15.65 | 9.00 | 2*10 | 33.65 | 27.00 | |
| 2*05 | 18.65 | 12.00 | 2*11 | 36.65 | 30.00 | |
| 2*06 | 21.65 | 15.00 | 2*12 | 39.65 | 33.00 | |

- ① Series No.
- ② Category: W-WAFER
- ③ Welding Board Angle: R-Straight 90°
- ④ Welding Way: S-SMT
- ⑤ Row No.-Pin No.: 2*XX-2*02P~2*22P
- ⑥ Plug the Pin & Special No.: D-With Solder Tabs
- ⑦ Material: LP-LCP 94V-0
- ⑧ Plating Category: SN-Bright Tin Plating; G05-Contact Gold 5µ
- ⑨ Color: Blank-Natural Color

X3025 W R S-2*XX D-LP XX XX
 ① ② ③ ④ ⑤ ⑥ ⑦ ⑧ ⑨

- Specifications:
- Voltage rating: 250V AC / DC
 - Current rating: 5A AC / DC
 - Withstanding voltage: 1000V AC/minute
 - Temperature range: -25°C~+85°C
 - Insulation resistance: ≥1000MΩ
 - Contact resistance: ≤10mΩ
 - After environmental testing: ≤20mΩ



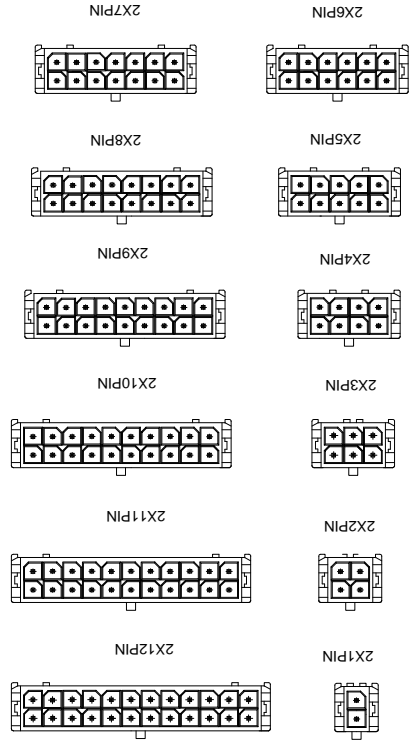
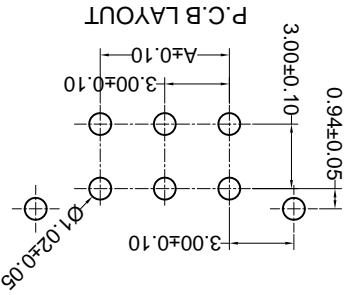
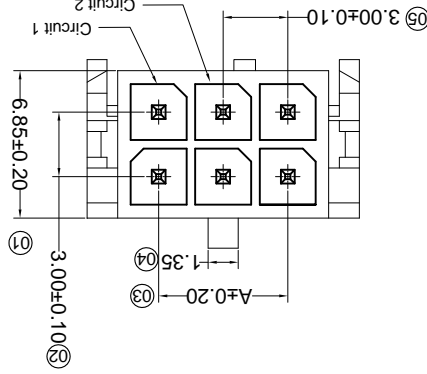
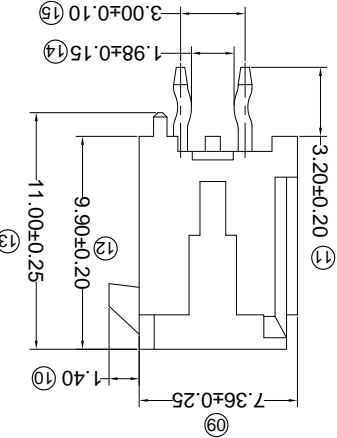
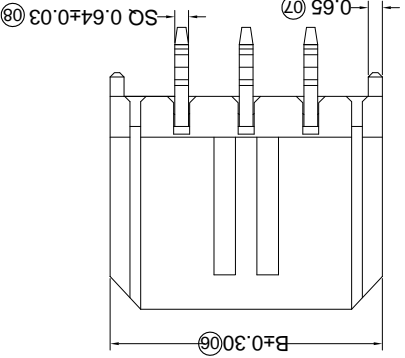
For and on behalf of
XKB INDUSTRIAL PRECISION CO., LIMITED
 香港星坤工業精密有限公司

REVISIONS
 (Authorized Signature)

| MARK | DESCRIPTION | DATE | REVISED | APPROVED | UNSPECIFIED TOLERANCES |
|------|-------------|------|---------|----------|------------------------|
| △ X | | | | | L > 63 ± 0.5 |
| △ X | | | | | 16 < L ≤ 63 ± 0.4 |
| △ X | | | | | 4 < L ≤ 16 ± 0.3 |
| | | | | | L ≤ 4 ± 0.2 |
| | | | | | ANGULAR ± 5° |

| DATE | SCALE: N/A | MODEL TYPE: X3025WV-2*XX-XXXX |
|------|------------|--|
| DNSD | | |
| DWN | VIEW: | PART NO.: 3.00 mm Crimp Style Connectors |
| CHKD | UNIT: mm | DWG NO.: |
| APPD | DATE | SIZE: A4 |
| | | WEIGHT 1.0g |
| | | SHEET 1/1 |
| | | REVISION A0 |

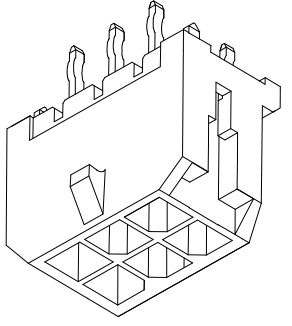
| PART NO | Material | Material(Pin) | Finish(Pin) | Mates With XKB Housing |
|--------------------|---------------|---------------|-------------|------------------------|
| X3025WV-2*XX-PTSN | PBT UL 94V-0 | Brass | Tin-Plated | X3025H |
| X3025WV-2*XX-46SN | PA46 UL 94V-0 | | | |
| X025WV-2*XX-N0SN | PA66 UL 94V-0 | | Gold-Flash | |
| X3025WV-2*XX-46V01 | PA46 UL 94V-0 | | | |



| Poles | Dimensions (mm) | |
|-------|-----------------|-------|
| | A | B |
| 2*06 | 15.00 | 21.65 |
| 2*07 | --- | 6.65 |
| 2*08 | 3.00 | 9.65 |
| 2*09 | 6.00 | 12.65 |
| 2*10 | 9.00 | 15.65 |
| 2*11 | 12.00 | 18.65 |
| 2*12 | 15.00 | 21.65 |

- ① Series No. X3025 W V X-2*XX X-XX XX XX ② ③ ④ ⑤ ⑥ ⑦ ⑧ ⑨
- ① Series No.
 - ② Category: W-WAFER
 - ③ Welding Board Angle: V-Straight 180°
 - ④ Welding Way: Blank-DIP
 - ⑤ Row No.-Pin No.: 2*XX-2*01P-2*22P
 - ⑥ Plug the Pin & Special No.:
 - ⑦ Material: N0-PA66 94V-0; PT-PBT 94V-0; 46-PA46 94V-0
 - ⑧ Plating Category: SN-Bright Tin Plating; V01-All Gold Flash
 - ⑨ Color: Blank-Natural Color

- Specifications :
- Voltage rating: 250V AC / DC
 - Current rating: 5A AC / DC
 - Withstanding voltage: 1000V AC/minute
 - Temperature range: -25°C~+85°C
 - Insulation resistance: ≥1000MΩ
 - Contact resistance: ≤10mΩ
 - After environmental testing: ≤20mΩ



For and on behalf of
KXB INDUSTRIAL PRECISION CO., LIMITED
 香港星坤工業精密有限公司

Authorized Signatures

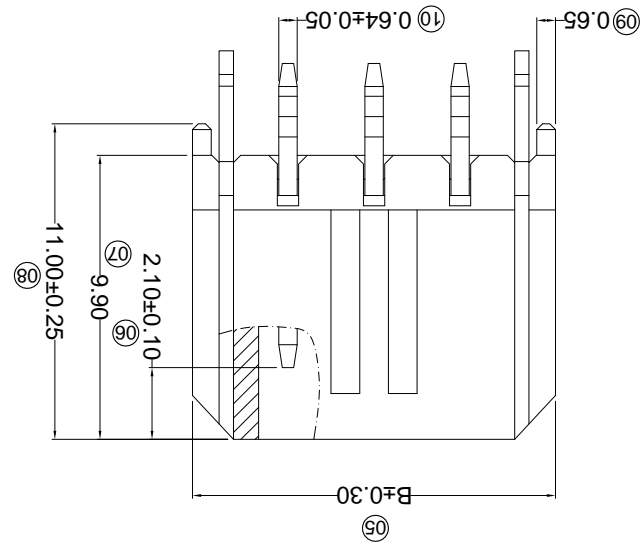
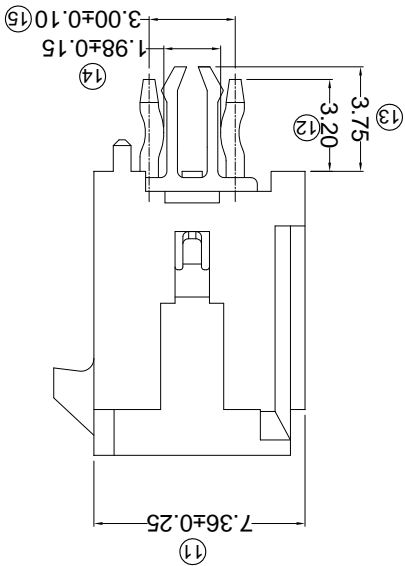
| MARK | DESCRIPTION | DATE | REVISED | APPROVED | UNSPECIFIED TOLERANCES |
|------|-------------|------|---------|----------|------------------------|
| △ X | | | | | L > 63 |
| △ X | | | | | 16 > L ≤ 63 |
| △ X | | | | | 4 < L ≤ 16 |
| △ X | | | | | L ≤ 4 |
| | | | | | ANGULAR |
| | | | | | ± 5° |

| REVISIONS | DATE | APPD | CHKD | DWN | DSND |
|-----------|------|------|------|-----|------|
| | | | | | |
| | | | | | |
| | | | | | |
| | | | | | |

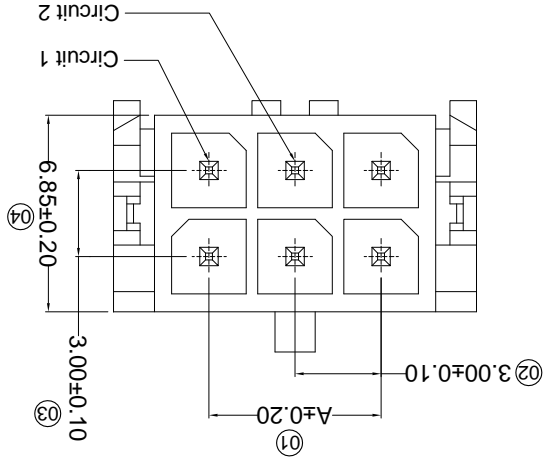
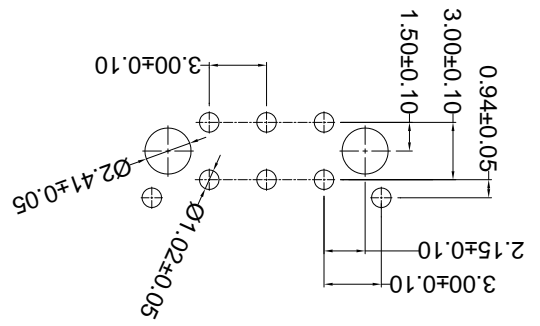
| DATE | VIEW | SCALE | MODEL TYPE | PART NO. | DWG NO.: |
|------|------|-------|------------|----------|----------|
| | | | | | |
| | | | | | |
| | | | | | |
| | | | | | |

| WEIGHT | SHEET | REVISION |
|--------|-------|----------|
| 1.0g | 1/1 | A0 |

| PART NO | Material | Material(Pin) | Finish(Pin) | Mates With |
|--------------------|-------------------|---------------|-----------------|------------|
| X3025WV-2*XXC-9TSN | Nylon 9T UL 94V-0 | Brass | Tin Plating Fog | X3025H |
| X3025WV-2*XXC-LPSW | LCP UL 94V-0 | | | |



P.C.B LAYOUT



- Specifications :
- Voltage rating: 250V AC / DC
 - Current rating: 5A AC / DC
 - Withstanding voltage: 1000V AC/minute
 - Temperature range: -25°C~+85°C
 - Insulation resistance: ≥1000MΩ
 - Contact resistance: ≤10mΩ
 - After environmental testing: ≤20mΩ

- X3025 W V X-2*XX C-XX XX XX
- ① Series No.
 - ② Category: W-water
 - ③ Welding Board Angle: V-180°
 - ④ Welding Way: Blank-DIP
 - ⑤ Row No.-Pin No. 2*XX-Double row
 - ⑥ Special NO. C-The harpoon
 - ⑦ Material: LP-LCP 94V-0 9T-PA9T 94V-0
 - ⑧ Planting Category: V** All Gold-Plated
 - ⑨ *01-Gold Flash : *02-2u" ; *03-3u" ; *05-5u" ; *10-10u" ; *15-15u" ; *30-30u" ; *50-50u"
 - ⑩ SN-Bright tin plating 70u"
 - ⑪ SN1-Bright tin plating 120u"Min. ;
 - ⑫ SW-Fog Tin plating
 - ⑬ Color: Blank-natural color

| Poles | Dimensions (mm) |
|-------|-----------------|
| A | 6.65 |
| B | 9.65 |
| | 3.00 |
| | 9.65 |
| | 12.65 |
| | 6.00 |
| | 12.65 |
| | 9.00 |
| | 15.65 |
| | 12.00 |
| | 18.65 |
| | 15.00 |
| | 21.65 |
| | 18.00 |
| | 24.65 |
| | 16.00 |
| | 27.65 |
| | 24.00 |
| | 30.65 |
| | 27.00 |
| | 33.65 |
| | 30.00 |
| | 36.65 |
| | 33.00 |
| | 39.65 |

Authorized Signatures

For and on behalf of
KXB INDUSTRIAL PRECISION CO., LIMITED
 香港星坤工業精密有限公司

| MARK | DESCRIPTION | DATE | REVISED | APPROVED | UNSPECIFIED TOLERANCES |
|------|-------------|------|---------|----------|------------------------|
| △ X | | | | | L > 63 |
| △ X | | | | | 16 < L ≤ 63 |
| △ X | | | | | 4 < L ≤ 16 |
| △ X | | | | | L ≤ 4 |
| | | | | | ANGULAR |
| | | | | | ± 5° |

| REVISIONS | DATE | REVISED | APPROVED | UNSPECIFIED TOLERANCES |
|-----------|------|---------|----------|------------------------|
| | | | | L > 63 |
| | | | | 16 < L ≤ 63 |
| | | | | 4 < L ≤ 16 |
| | | | | L ≤ 4 |
| | | | | ANGULAR |
| | | | | ± 5° |

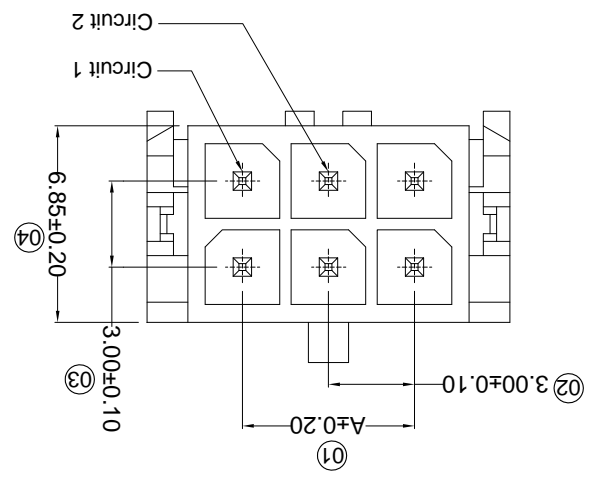
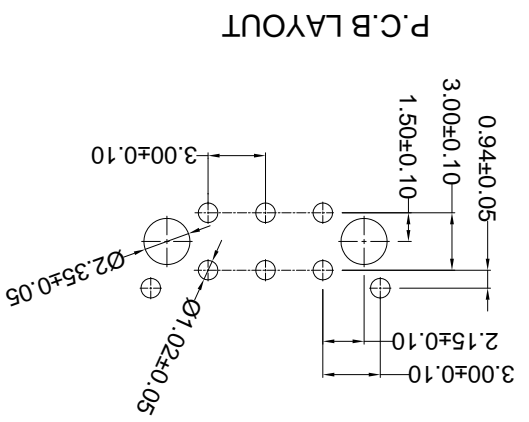
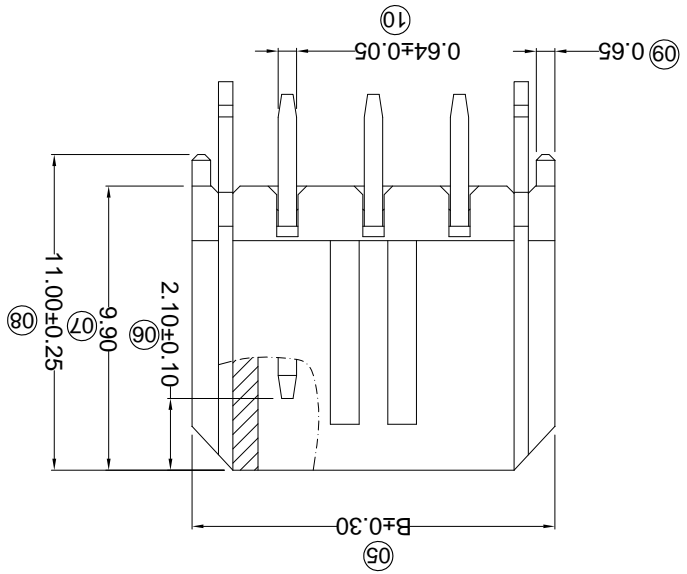
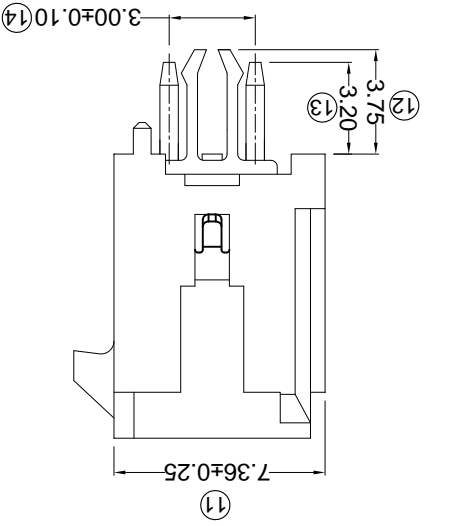
| APPD | DATE | VIEW | SCALE | MODEL TYPE | PART NO. | Material | Material(Pin) | Finish(Pin) | Mates With XKB Housing |
|------|------|------|-------|---------------------|---------------------|--------------|---------------|-------------|------------------------|
| CHKD | | | | X3025WV-2*XXCN-LPSN | X3025WV-2*XXCN-LPSN | LCP UL 94V-0 | Brass | Tin-Plated | X3025H |
| DWN | | | | | | | | | |
| DSND | | | | | | | | | |

| WEIGHT | SHEET | REVISION |
|--------|-------|----------|
| 1.0g | 1/1 | A0 |

| POLES | A | B |
|-------|-------|-------|
| 02 | -- | 6.65 |
| 04 | 3.00 | 9.65 |
| 06 | 6.00 | 12.65 |
| 08 | 9.00 | 15.65 |
| 10 | 12.00 | 18.65 |
| 12 | 15.00 | 21.65 |
| 14 | 18.00 | 24.65 |
| 16 | 21.00 | 27.65 |
| 18 | 24.00 | 30.65 |
| 20 | 27.00 | 33.65 |
| 22 | 30.00 | 36.65 |
| 24 | 33.00 | 39.65 |

- X3025 W V X-2*XX CN-LP SN XX
- ① Series No.
 - ② Category:
 - ③ W-water
 - ④ Welding Board Angle: V-180°
 - ⑤ Welding Way: Blank-DIP
 - ⑥ Row No.-Pin No.
 - ⑦ 2*XX-Double row
 - ⑧ Special NO.
 - ⑨ C-The harpoon N-without K the feet
 - ⑩ Material: LP-LCP 94V-0
 - ⑪ Planting Category:
 - ⑫ V**All Gold-Plated
 - ⑬ *01-Gold Flash ; *02-2u" ; *03-3u" ; *05-5u"
 - ⑭ *10-10u" ; *15-15u" ; *30-30u" ; *50-50u"
 - ⑮ SN-Bright tin plating 70u"
 - ⑯ SN1-Bright tin plating 120u"Min.
 - ⑰ SW-Fog Tin plating
 - ⑱ Color: Blank-natural color

- Specifications :
- Voltage rating: 250V AC / DC
 - Current rating: 5A AC / DC
 - Withstanding voltage: 1000V AC/minute
 - Temperature range: -25°C~+85°C
 - Insulation resistance: ≥1000MΩ
 - Contact resistance: ≤10mΩ
 - After environmental testing: ≤20mΩ



For and on behalf of
KXB INDUSTRIAL PRECISION CO., LIMITED
 香港星坤工業精密有限公司

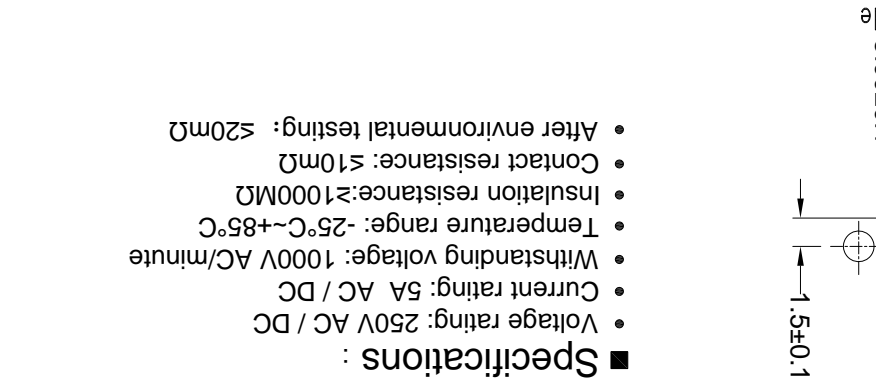
| MARK | DESCRIPTION | DATE | REVISED | APPROVED | UNSPECIFIED TOLERANCES |
|------|-------------|------|---------|----------|------------------------|
| △ X | | | | | L > 63 |
| △ X | | | | | 16 < L ≤ 63 |
| △ X | | | | | 4 < L ≤ 16 |
| △ X | | | | | L ≤ 4 |
| | | | | | ANGULAR |

| REVISIONS | DATE | REVISIONS | DATE | REVISIONS | DATE |
|-----------|------|-----------|------|-----------|------|
| APPROVED | | REVISED | | APPROVED | |
| CHKD | | DATE | | DATE | |
| DWN | | DATE | | DATE | |
| DSND | | DATE | | DATE | |

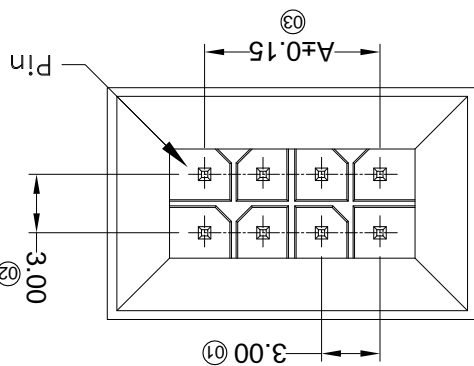
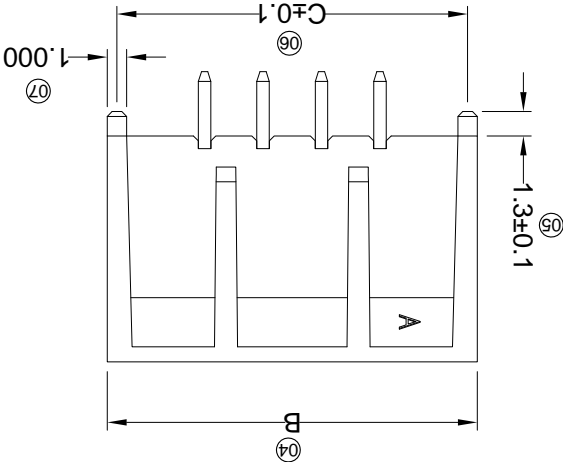
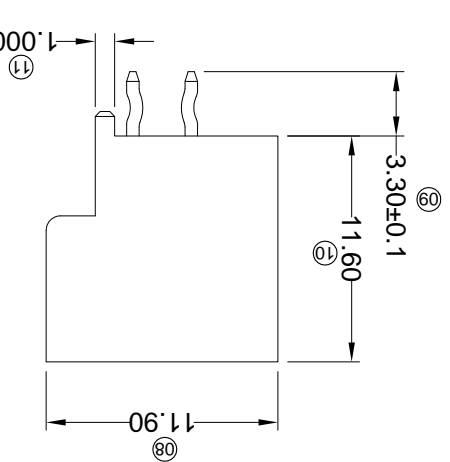
| | |
|------------------------|--------------------|
| Part No. | X3025WV-2*XXH-LPSN |
| Material | LCP UL 94V-0 |
| Material(Pin) | Brass |
| Finish(Pin) | Tin-Plated |
| Mates With XKB Housing | X3025H |

| Part No. | Material | Material(Pin) | Finish(Pin) | Tin-Plated | Dimensions (mm) |
|--------------------|--------------|---------------|-------------|------------|-----------------|
| X3025WV-2*XXH-LPSN | LCP UL 94V-0 | Brass | Tin-Plated | X3025H | |
| | | | | | A |
| | | | | | B |
| | | | | | C |
| | | | | | 24 |
| | | | | | 22 |
| | | | | | 20 |
| | | | | | 18 |
| | | | | | 16 |
| | | | | | 14 |
| | | | | | 12 |
| | | | | | 10 |
| | | | | | 08 |
| | | | | | 06 |
| | | | | | 04 |

- ① Series No.
- ② Category: W-water
- ③ Welding Board Angle: V-180°
- ④ Welding Way: Blank-DIP
- ⑤ Row No.-Pin No.
- ⑥ Special NO.
- ⑦ Material: LP-LCP 94V-0
- ⑧ Planting Category: V**All Gold-Plated
- ⑨ Color: Blank-natural color
- *01-Gold Flash ; *02-2u" ; *03-3u" ; *05-5u"
- *10-10u" ; *15-15u" ; *30-30u" ; *50-50u"
- SN-Bright tin plating 70u"
- SN1-Bright tin plating 120u"Min. ;
- SW-Fog Tin plating



- Specifications :
- Voltage rating: 250V AC / DC
 - Current rating: 5A AC / DC
 - Withstanding voltage: 1000V AC/minute
 - Temperature range: -25°C~+85°C
 - Insulation resistance: ≥1000MΩ
 - Contact resistance: ≤10mΩ
 - After environmental testing: ≤20mΩ

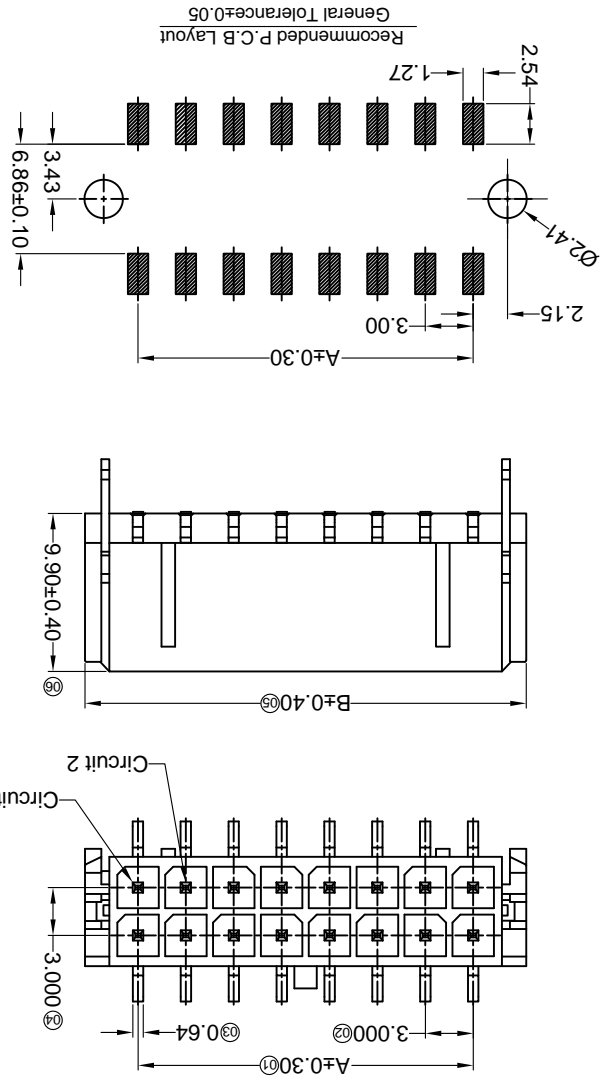


For and on behalf of
KRB INDUSTRIAL PRECISION CO., LIMITED
香港星坤工業精密有限公司

REVISIONS
(Unauthorized Signatures)

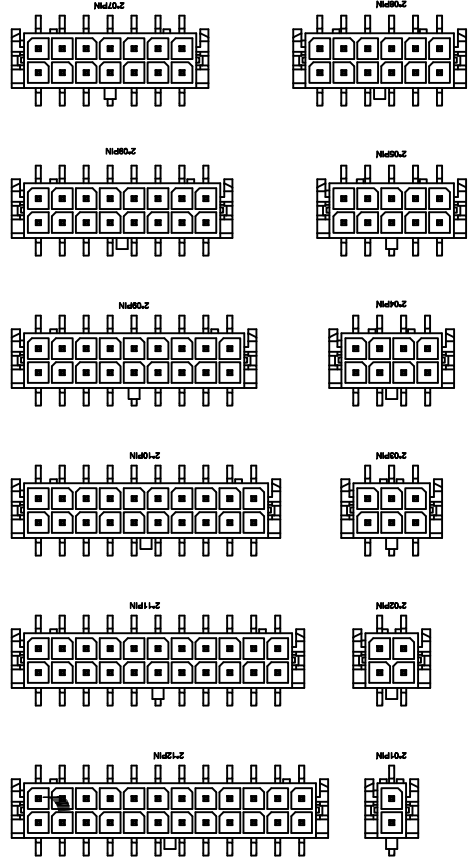
| MARK | DESCRIPTION | DATE | REVISED | APPROVED | UNSPECIFIED TOLERANCES |
|------|-------------|------|---------|----------|------------------------|
| △ X | | | | | L > 63 |
| △ X | | | | | 16 < L ≤ 63 |
| △ X | | | | | 4 < L ≤ 16 |
| △ X | | | | | L ≤ 4 |
| | | | | | ANGULAR |
| | | | | | ± 5° |

| | | | | | |
|----------|-------|--------|--|------|------------|
| REVISION | SHEET | WEIGHT | KRB INDUSTRIAL PRECISION CO., LIMITED | | |
| A0 | 1/1 | 1.0g | APPD | DATE | SIZE: A4 |
| | | | CHKD | DATE | UNIT: mm |
| | | | DWN | DATE | VIEW: |
| | | | DSND | DATE | SCALE: N/A |



| PART NO | Material | Material (Pin) | Finish (Pin) | Material (Solder Tabs) | Finish (Solder Tabs) | Mates With XKB Housing |
|------------------------|--------------|----------------|--------------|------------------------|----------------------|------------------------|
| X3025WS-2*XXC-LP-94V-0 | LCP UL 94V-0 | Brass | Matte tin | Brass | Matte tin | X3025H |
| X3025WS-2*XXC-LP-94V-0 | LCP UL 94V-0 | Brass | Matte tin | Brass | Matte tin | X3025H |

| Poles | Dimensions(mm) | |
|-------|----------------|-------|
| | A | B |
| 2*01 | --- | 6.65 |
| 2*02 | 3.00 | 9.65 |
| 2*03 | 6.00 | 12.65 |
| 2*04 | 9.00 | 15.65 |
| 2*05 | 12.00 | 18.65 |
| 2*06 | 15.00 | 21.65 |



- ① Series No.
- ② Category: W-water
- ③ Welding Board Angle: V- Straight 180°
- ④ Welding Way: S-SMT
- ⑤ Row No-Pin No.: 2*XX-2*01P~2*12P
- ⑥ Plug the Pin & Special No.: C-The Harpoon
- ⑦ Material: LP-LCP 94V-0
- ⑧ Plating Category:
- ⑨ SN-Bright tin plating : SW-Matte Tin plating
- ⑩ Color: Blank-Natural color

- Specifications :**
- Voltage rating: 250V AC / DC
 - Current rating: 5A AC / DC
 - Withstanding voltage: 1000V AC/minute
 - Temperature range: -25°C~+85°C
 - Insulation resistance: $\geq 1000M\Omega$
 - Contact resistance: $\leq 10m\Omega$
 - After environmental testing: $\leq 20m\Omega$
- X3025 W V S-2*XX C-LP XX XX
- ① ② ③ ④ ⑤ ⑥ ⑦ ⑧ ⑨ ⑩

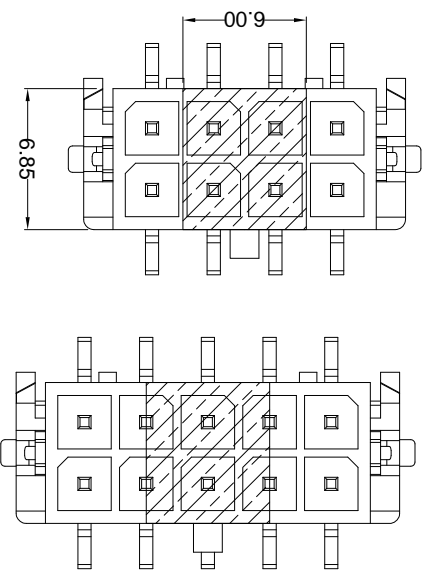
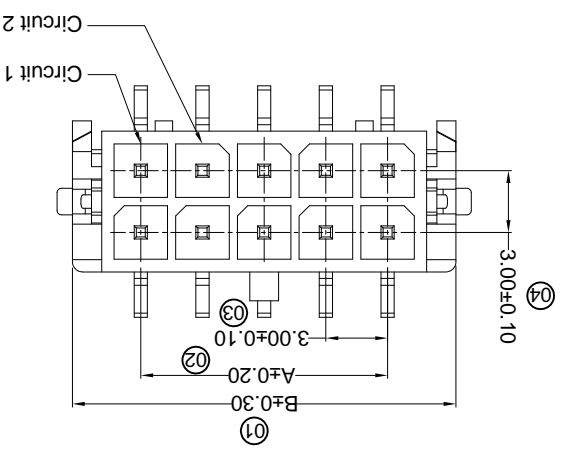
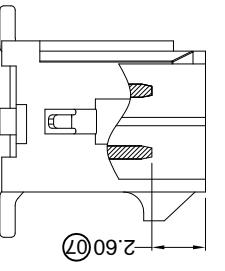
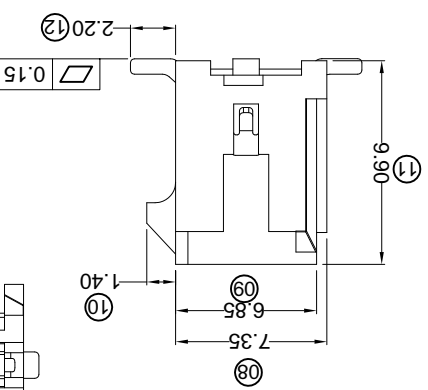
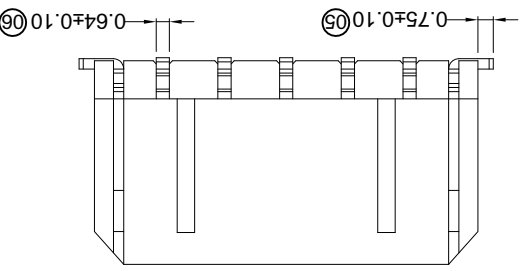
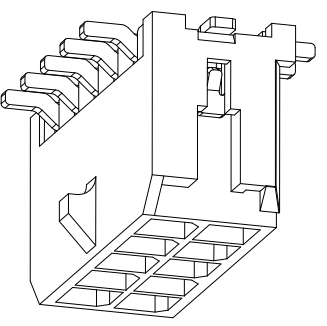
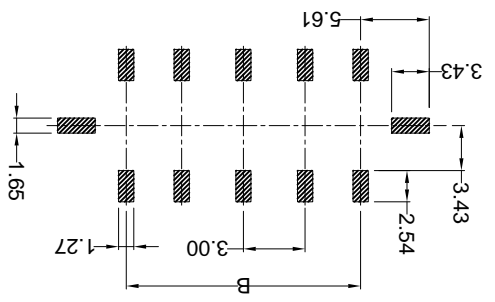
8 7 6 5 4 3 2 1

For and on behalf of
KXB INDUSTRIAL PRECISION CO., LIMITED
 香港星坤工業精密有限公司
 REVISIONS
 Authorized Signatures(s)

| MARK | DESCRIPTION | DATE | REVISED | APPROVED | UNSPECIFIED TOLERANCES |
|------|-------------|------|---------|----------|------------------------|
| △ X | | | | | L > 63 |
| △ X | | | | | 16 > L ≤ 63 |
| △ X | | | | | 4 < L ≤ 16 |
| | | | | | L ≤ 4 |
| | | | | | ANGULAR |

| DATE | SCALE: N/A | MODEL TYPE: X3025WVS-2*XXD-LPSW |
|------|------------|--|
| DATE | VIEW: | PART NO.: 3.00 mm Crimp Style Connectors |
| DATE | UNIT: mm | DWG NO.: |
| DATE | SIZE: A4 | WEIGHT 1.0g |
| DATE | | SHEET 1/1 |
| DATE | | REVISION A0 |

P.C.B. LAYOUT



| PART NO | Material | Material(Pin) | Finish(Pin) | Material (Solder Tabs) | Finish (Solder Tabs) | Material (Solder Tabs) | Finish (Solder Tabs) | Dimensions(mm) | |
|---------------------|--------------|---------------|-------------|------------------------|----------------------|------------------------|----------------------|----------------|-------|
| | | | | | | | | A | B |
| X3025WVS-2*XXD-LPSW | LCP UL 94V-0 | Brass | Matte tin | Brass | Matte tin | Matte tin | Matte tin | A | B |
| 2*06 | | | | | | | | 2*06 | 33.00 |
| 2*05 | | | | | | | | 2*05 | 30.00 |
| 2*04 | | | | | | | | 2*04 | 27.00 |
| 2*03 | | | | | | | | 2*03 | 24.00 |
| 2*02 | | | | | | | | 2*02 | 21.00 |
| 2*01 | | | | | | | | 2*01 | 18.00 |

- ① Series No.
- ② Category: W-water
- ③ Weiding Board Angle: V- Stright 180°
- ④ Weiding Way: S-SMT
- ⑤ Row No.-Pin No.: 2*XX-2*01P-2*12P
- ⑥ Plug the Pin & Special No.: D-Solder Tabs
- ⑦ Material: LP-LCP 94V-0
- ⑧ Planting Category:
- ⑨ SN-Bright tin plating ; SW-Matte Tin plating
- ⑩ Color: Blank-Natural color

- Specifications :
- Voltage rating: 250V AC / DC
 - Current rating: 5A AC / DC
 - Withstanding voltage: 1000V AC/minute
 - Temperature range: -25°C~+85°C
 - Insulation resistance: ≥1000MΩ
 - Contact resistance: ≤10mΩ
 - After environmental testing: ≤20mΩ

X3025 W V S-2*XX D-LP XX XX
 ①②③④⑤⑥⑦⑧⑨⑩

X-ON Electronics

Largest Supplier of Electrical and Electronic Components

Click to view similar products for [Headers & Wire Housings](#) category:

Click to view products by [XKB](#) manufacturer:

Other Similar products are found below :

[95000-104TRLF](#) [10135584-644402LF](#) [DF62W-EP2022PCA](#) [95000-106TRLF](#) [DF62W-2022SCA](#) [DF62W-EP2022PC](#) [2203348](#) [DF62W-2022SC](#) [1084018](#) [1029039](#) [1084017](#) [802-10-012-10-002000](#) [1112640](#) [1112639](#) [891-007-9SS-BST1T](#) [000-34000](#) [0008550134](#) [0009482033](#) [0009507031](#) [57102-F02-18ULF](#) [57102-S06-03LF](#) [57202-S52-04LF](#) [PCN6-15S-2.5E](#) [0039019024](#) [58102-G61-06LF](#) [582553-1](#) [0009485154](#) [0009508121](#) [0022285053](#) [0050291907](#) [018731A](#) [LY20-4P-DT1-P1E-BR](#) [02.125.8002.8](#) [60101931](#) [60598-1 \(Cut Strip\)](#) [M1625-3R/100](#) [61062-3](#) [61082-181009](#) [CSU011177004](#) [636-1427](#) [638009-1](#) [641938-9](#) [641991-4](#) [644168-1](#) [644827-2](#) [647662-1](#) [65039-019ELF](#) [65692-001LF](#) [65781-018](#) [65781-047](#)