

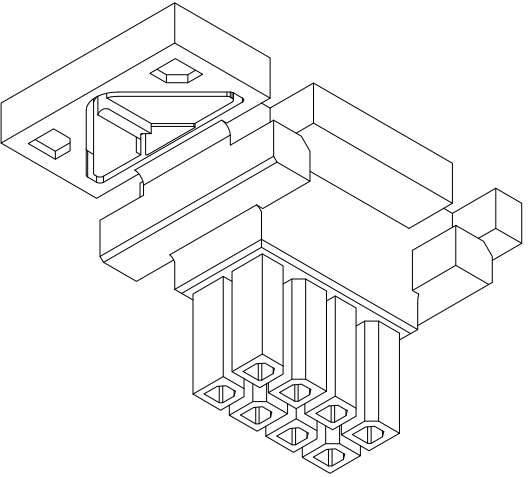
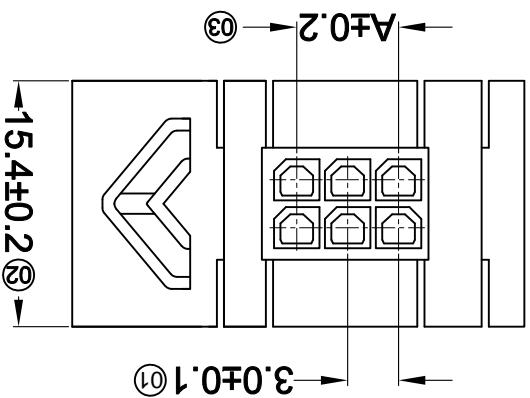
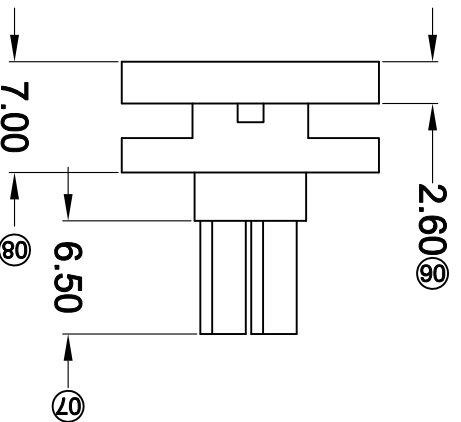
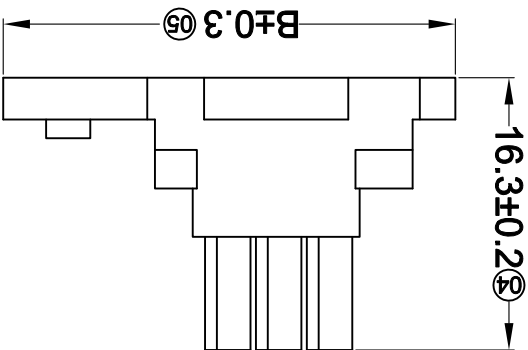
For and on behalf of
XKB INDUSTRIAL PRECISION CO., LIMITED
 香港星坤工業精密有限公司

REVISIONS
 Authorized Signature(s)

MARK	DESCRIPTION	DATE	REVISED	APPROVED	UNSPECIFIED TOLERANCES
△ X					L > 63 ±0.5
△ X					16 < L ≤ 63 ±0.4
△ X					4 < L ≤ 16 ±0.3
					L ≤ 4 ±0.2
					ANGULAR ±5°

DATE	SCALE: N/A	MODEL TYPE: X3025HF-2*XXWS-N2	DATE	VIEW:	UNIT: mm	SIZE: A4
DATE			DATE			
DATE			DATE			
DATE			DATE			

WEIGHT	SHEET	REVISION
1.0g	1/1	A0



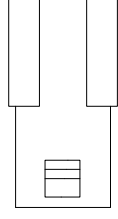
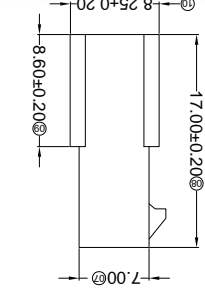
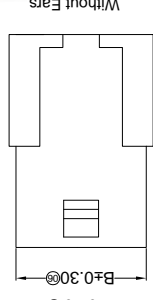
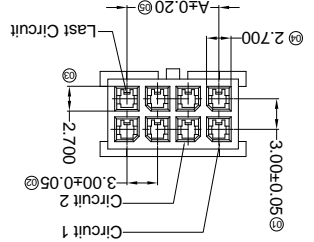
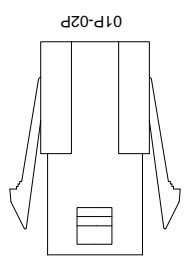
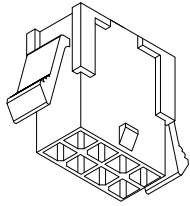
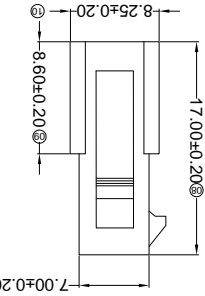
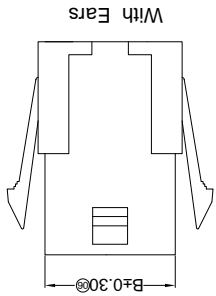
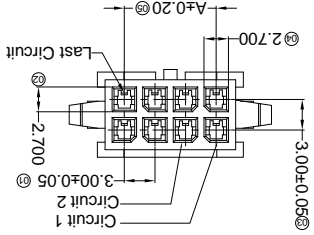
Poles	Dimensions(mm)		Poles	A	B
	A	B			
2*02	3.00	24.85	2*08	21.00	42.85
2*03	6.00	27.85	2*09	24.00	45.85
2*04	9.00	30.85	2*10	27.00	48.85
2*05	12.00	33.85	2*11	30.00	51.85
2*06	15.00	36.85	2*12	33.00	54.85
2*07	18.00	39.85			

- ① Series No.
- ② Category: H-HSG
- ③ Welding Board Angle: F-Female HSG
- ④ Row No.-Pin No.: 2*XX-2*02P~2*12P
- ⑤ Plug the Pin & special No.: WS-With Base
- ⑥ Material: N2-PA66 94V-2;
- ⑦ Color: Blank-natural color

X3025 H F-2*XX WS-N2 XX

- Specifications :
- Voltage rating: 250V AC / DC
 - Current rating: 5A AC / DC
 - Withstanding voltage: 1500V AC/minute
 - Temperature range: -25°C~+85°C
 - Insulation resistance: ≥1000MΩ
 - Contact resistance: ≤10mΩ
 - After environmental testing: ≤17mΩ

RoHS
Lead-free



01P-02P

For and on behalf of
XKB INDUSTRIAL PRECISION CO., LIMITED
香港星坤工業精密有限公司

MARK	DESCRIPTION	DATE	REVISED	APPROVED	UNSPECIFIED TOLERANCES
△ X					L > 63 ±0.5
△ X					16 < L ≤ 63 ±0.4
△ X					4 < L ≤ 16 ±0.3
△ X					L ≤ 4 ±0.2
					ANGULAR ±5°

REVISIONS
(Unauthorized Signatures)

- **Specifications :**
- Voltage rating: 250V AC / DC
 - Current rating: 5A AC / DC
 - Withstanding voltage: 1000V AC/minute
 - Temperature range: -25°C~+85°C
 - Insulation resistance: ≥1000MΩ
 - Contact resistance: ≤10mΩ
 - After environmental testing: ≤20mΩ

X3025 H F-2*XX XX-N2 XX

① Series No.

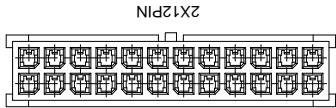
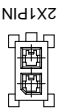
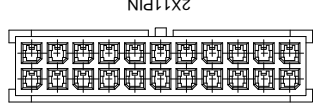
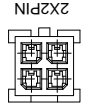
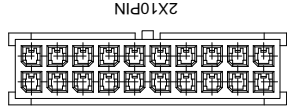
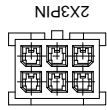
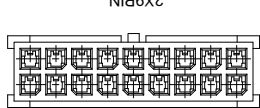
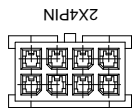
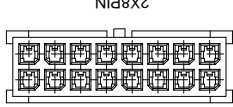
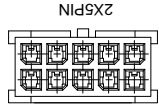
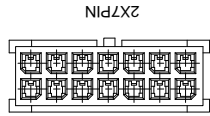
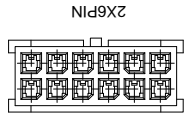
② Category: H-HSG

③ Welding Board Angle: F-Female HSG

④ Row No.-Pin No.: 2*XX-2*01P-2*12P

⑤ Plug the Pin & special No.: I-Without Ears
G-With Ears

⑥ Material: N2-PA66 94V-2;
⑦ Color: Blank-Natural Color



Poles	Dimensions(mm)		Poles	Dimensions(mm)	
	A	B		A	B
2*01	18.00	22.00	2*07	4.00	2.00
2*02	3.00	7.00	2*08	7.00	2.00
2*03	6.00	10.00	2*09	10.00	2.00
2*04	9.00	13.00	2*10	13.00	2.00
2*05	12.00	16.00	2*11	16.00	2.00
2*06	15.00	19.00	2*12	19.00	2.00

PART NO	Material	Suitable SWB Terminal	Mates With XKB Housing	Note
X3025HF-2*XXG-N2	Nylon 66 94V-2	X3025TM	X3025HM	With Ears
X3025HF-2*XXI-N2	Nylon 66 94V-2	X3025TM	X3025HM	Without Ears

DSND	DATE	SCALE: N/A	MODEL TYPE: X3025HF-2*XXX-N2
DWN	DATE	VIEW:	PART NO.:
CHKD	DATE	UNIT: mm	3.00 mm Crimp Style Connectors
APPD	DATE	SIZE: A4	DWG NO.:

WEIGHT	SHEET	REVISION
1.0g	1/1	A0

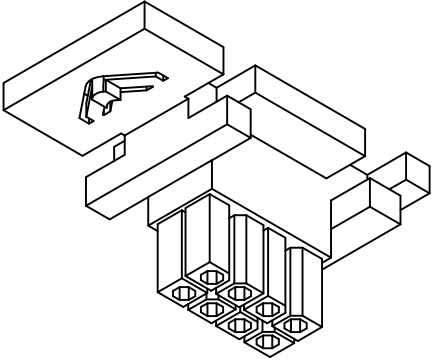
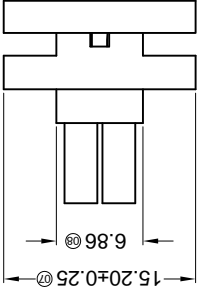
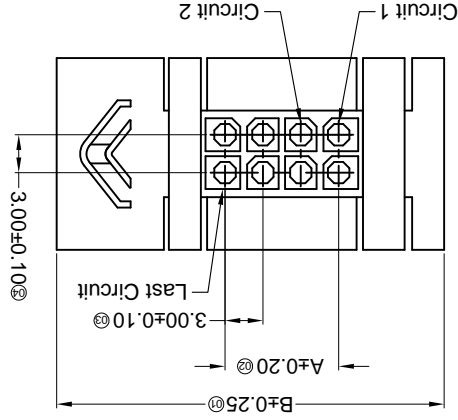
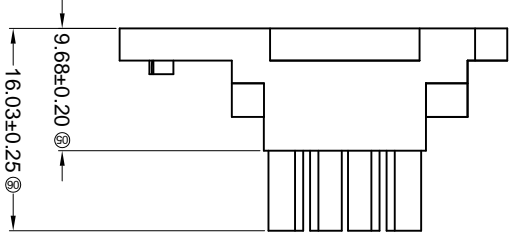
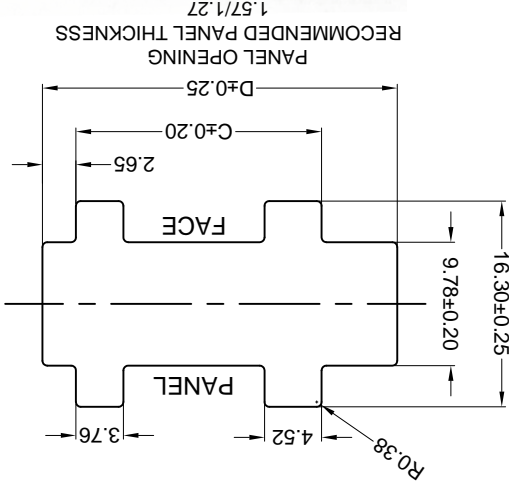
For and on behalf of
KRB INDUSTRIAL PRECISION CO., LIMITED
 香港星坤工業精密有限公司

REVISIONS
 (Authorized Signature)

MARK	DESCRIPTION	DATE	REVISED	APPROVED	UNSPECIFIED TOLERANCES
△ X					$L > 63$
△ X					$16 > L \leq 63$
△ X					$4 < L \leq 16$
△ X					$L \leq 4$
					ANGULAR $\pm 5^\circ$

KRB INDUSTRIAL PRECISION CO., LIMITED

WEIGHT	1.0g
SHEET	1/1
REVISION	A0
SIZE:	A4
UNIT:	mm
DATE:	
DATE:	
VIEW:	
SCALE:	N/A
MODEL TYPE:	X3025HM-2*XXWS-N2
PART NO.:	
3.00 mm Crimp Style Connectors	
DWG NO.:	



PART NO	Material	Suitable SWB Terminal	Mates With XKB Wafer
X3025HM-2*XXWS-N2	Nylon 66 94V-2	X3025TF	X3025W

Poles	Dimensions(mm)	
	A	B
2*02	3.00	24.60
2*03	6.00	27.70
2*04	9.00	30.70
2*05	12.00	33.80
2*06	15.00	36.80
2*07	18.00	39.90
2*08	21.00	42.90
2*09	24.00	46.00
2*10	27.00	49.00
2*11	30.00	51.80
2*12	33.00	54.90
		43.46
		49.10
		52.10

- ① Series No. X3025 H M-2*XX WS-N2 XX
 ② Category: H-HSG
 ③ Welding Board Angle: M-Male HSG
 ④ Row No.-Pin No.: 2*XX-2*02P~2*10P
 ⑤ Plug the Pin & special No.: WS-With Base
 ⑥ Material: N2-PA66 94V-2;
 ⑦ Color: Blank-natural color Black

- Specifications:
- Voltage rating: 250V AC / DC
 - Current rating: 5A AC / DC
 - Withstanding voltage: 1500V AC/minute
 - Temperature range: -25°C~+85°C
 - Insulation resistance: $\geq 1000M\Omega$
 - Contact resistance: $\leq 10m\Omega$
 - After environmental testing: $\leq 20m\Omega$

REVISIONS
Authorized Signature(s)

MARK	DESCRIPTION	DATE	REVISED	APPROVED	UNSPECIFIED TOLERANCES
△ X					L > 63
△ X					16 < L ≤ 63
△ X					4 < L ≤ 16
					L ≤ 4
					ANGULAR

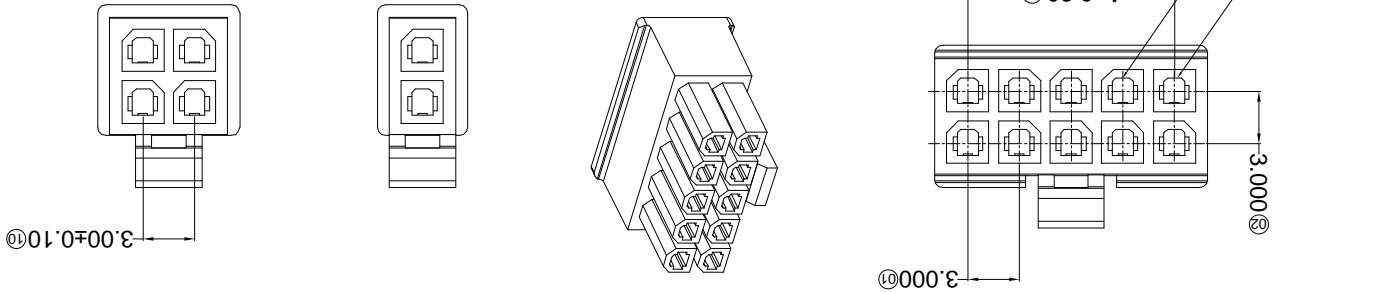
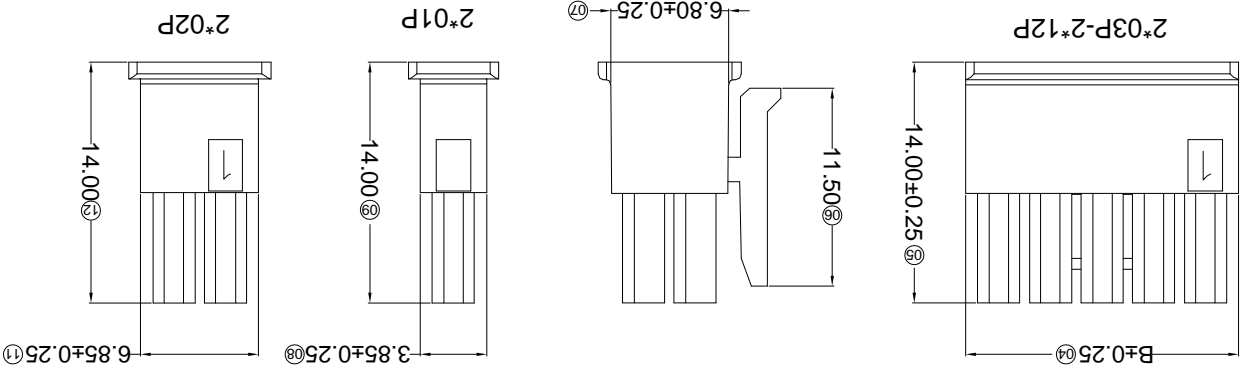
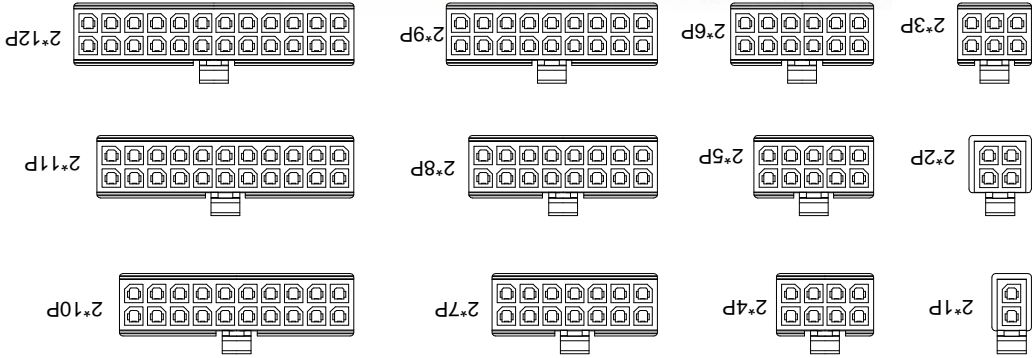
For and on behalf of
KXB INDUSTRIAL PRECISION CO., LIMITED
 香港星坤工業精密有限公司

KXB INDUSTRIAL PRECISION CO., LIMITED

DATE	SCALE: N/A	MODEL TYPE: X3025HM-2*XX-N2
DATE	VIEW:	PART NO.:
DATE	UNIT: mm	3.00 mm Crimp Style Connectors
DATE	SIZE: A4	DWG NO.:
WEIGHT	SHEET	REVISION
1.0g	1/1	A0

PART NO	Material	Suitable SWB Terminal	Mates With XKB Water
X3025HM-2*XX-N2	Nylon 66 94V-2	X3025TF	X3025W

Poles	Dimensions(mm)		Poles	Dimensions(mm)	
	A	B		A	B
2*01	2*07	18.00	2*07	18.00	21.85
2*02	3.00	24.00	2*08	21.00	24.85
2*03	6.00	27.85	2*09	24.00	27.85
2*04	9.00	30.85	2*10	27.00	30.85
2*05	12.00	33.85	2*11	30.00	33.85
2*06	15.00	36.85	2*12	33.00	36.85



- ① Series No.
 ② Category: H-HSG
 ③ Welding Board Angle: M-Male HSG
 ④ Row No.-Pin No.: 2*XX-2*01P~2*12P
 ⑤ Plug the Pin & special No.:
 ⑥ Material: N2-PA66 94V-2;
 ⑦ Color: Blank-Natural Color
- X3025 H M-2*XX XX-N2 XX

- Specifications :
- Voltage rating: 250V AC / DC
 - Current rating: 5A AC / DC
 - Withstanding voltage: 1000V AC/minute
 - Temperature range: -25°C~+85°C
 - Insulation resistance: ≥1000MΩ
 - Contact resistance: ≤10mΩ
 - After environmental testing: ≤20mΩ

For and on behalf of
KXB INDUSTRIAL PRECISION CO., LIMITED
 香港星坤工業精密有限公司

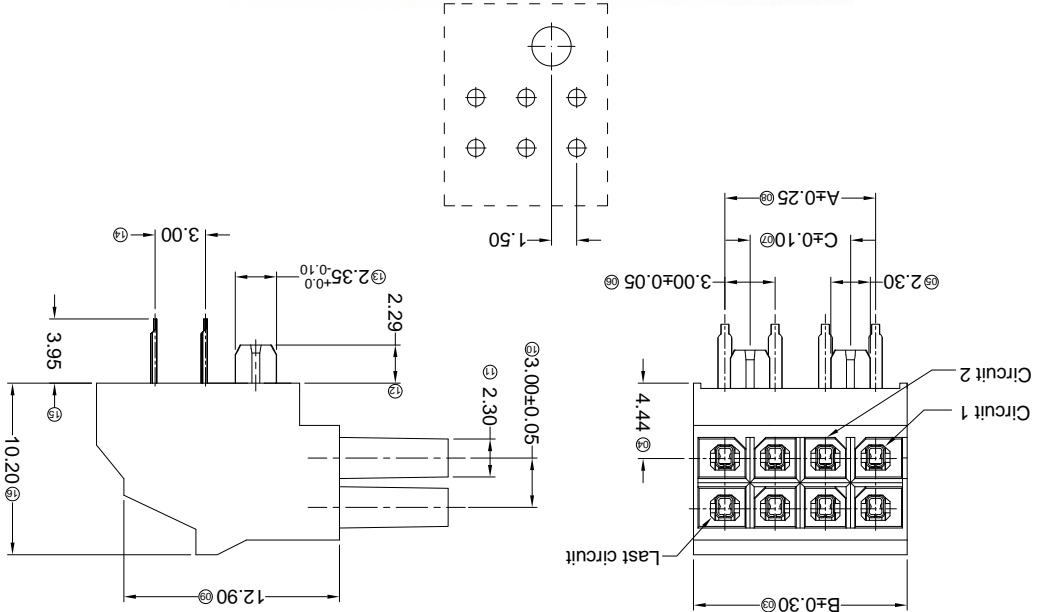
REVISIONS
 Authorized Signature(s)

MARK	DESCRIPTION	DATE	REVISED	APPROVED	UNSPECIFIED TOLERANCES
△ X					L > 63 ± 0.5
△ X					16 < L ≤ 63 ± 0.4
△ X					4 < L ≤ 16 ± 0.3
△ X					L ≤ 4 ± 0.2
					ANGULAR ± 5°

DSND	DATE	SCALE: N/A	MODEL TYPE: X3025HR-2*XX-LPSN
DWN	DATE	VIEW:	PART NO.:
CHKD	DATE	UNIT: mm	DWG NO.:
APPD	DATE	SIZE: A4	WEIGHT 1.0g
			REVISION SHEET 1/1
			REVISION A0

Part No.	Material	Material(Pin)	Finish(Pin)	Mates With XKB Housing
X3025HR-2*XX-LPSN	LCP UL 94V-0	Brass	Tin-Plated	X3025HW or 3025H

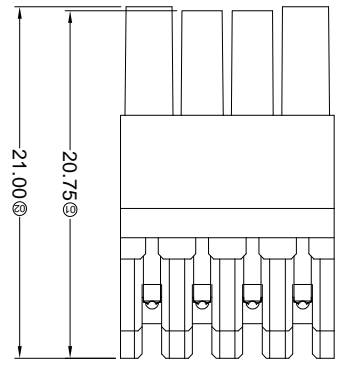
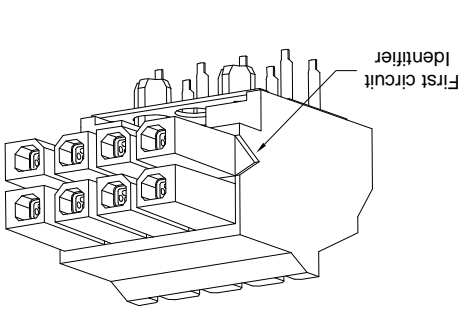
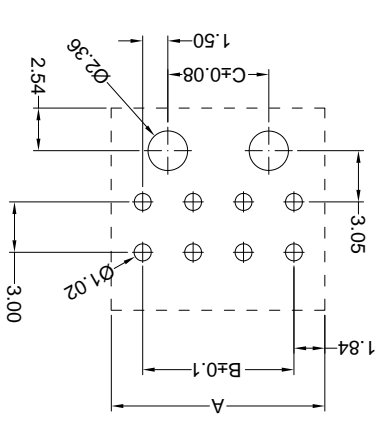
Poles	Dimensions(mm)		
	A	B	C
2'02	3.00	6.70	2'08
2'03	6.00	9.70	2'09
2'04	9.00	12.70	2'10
2'05	12.00	15.70	2'11
2'06	15.00	18.70	2'12
2'07	18.00	21.70	15.00



- ① Series No.
 ② Category: H-HSG
 ③ Welding Board Angle: BOARD-IN-R-90°
 ④ Row No.-Pin No.: 2*XX-2*02P~2*12P
 ⑤ Plug the Pin & special No.:
 ⑥ Material: LP-LCP 94V-0;
 ⑦ Plating Category: SN-Bright tin plating
 ⑧ Color: Blank-Natural Color

X3025 H R-2*XX LP SN XX
 ① ② ③ ④ ⑤ ⑥ ⑦ ⑧

- Specifications :
- Voltage rating: 250V AC / DC
 - Current rating: 5A AC / DC
 - Withstanding voltage: 1000V AC/minute
 - Temperature range: -25°C~+85°C
 - Insulation resistance: ≥1000MΩ
 - Contact resistance: ≤10mΩ
 - After environmental testing: ≤20mΩ



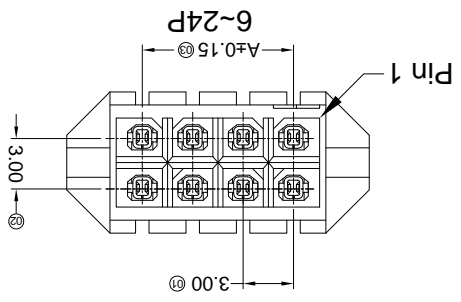
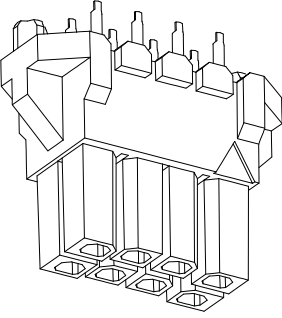
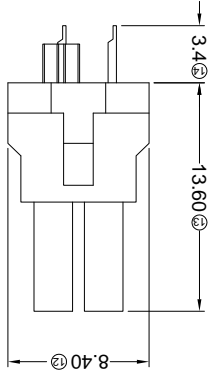
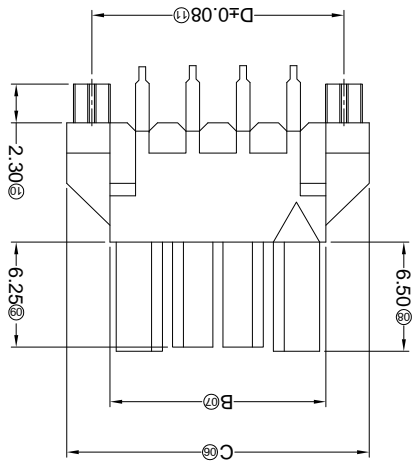
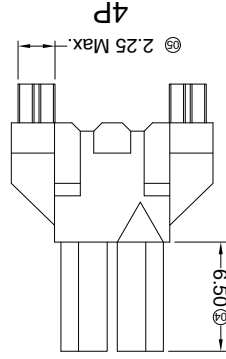
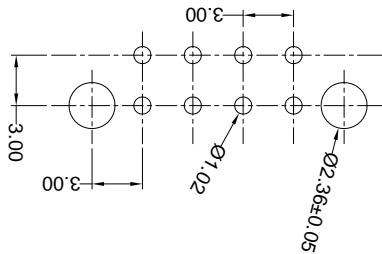
For and on behalf of
KXB INDUSTRIAL PRECISION CO., LIMITED
 香港星坤工業精密有限公司

MARK	DESCRIPTION	DATE	REVISIONS	UNSPECIFIED TOLERANCES
△ X				L > 63 ±0.5
△ X				16 < L ≤ 63 ±0.4
△ X				4 < L ≤ 16 ±0.3
△ X				L ≤ 4 ±0.2
				ANGULAR ±5°

MARK	DESCRIPTION	DATE	REVISIONS	UNSPECIFIED TOLERANCES
△ X				L > 63 ±0.5
△ X				16 < L ≤ 63 ±0.4
△ X				4 < L ≤ 16 ±0.3
△ X				L ≤ 4 ±0.2
				ANGULAR ±5°

DSND	DATE	SCALE: N/A	MODEL TYPE: X3025HV-2*XX-LPSN
DWN	DATE	VIEW:	PART NO.: 3.00 mm Crimp Style Connectors
CHKD	DATE	UNIT: mm	DWG NO.:
APPD	DATE	SIZE: A4	WEIGHT 1.0g
			SHEET 1/1
			REVISION A0

Recommended P.C.B Layout



Part No.	Material	Material(Pin)	Finish(Pin)	Mates With
X3025HV-2*XX-LPSN	LCP UL 94V-0	Brass	Tin-Plated	X3025HW or 3025H

Poles	Dimensions(mm)			
	A	B	C	D
2*02	3.00	6.85	12.00	9.00
2*03	6.00	9.85	15.00	12.00
2*04	9.00	12.85	18.00	15.00
2*05	12.00	15.85	21.00	18.00
2*06	15.00	18.85	24.00	21.00
2*07	18.00	21.85	27.00	24.00
2*08	21.00	24.85	30.00	27.00
2*09	24.00	27.85	33.00	30.00
2*10	27.00	30.85	36.00	33.00
2*11	30.00	33.85	39.00	36.00
2*12	33.00	36.85	42.00	39.00

- ① Series No.
- ② Category: H-HSG
- ③ Welding Board Angle: BOARD-IN: V-180°
- ④ Row No.-Pin No.: 2*XX-2*02P~2*12P
- ⑤ Plug the Pin & special No.:
- ⑥ Material: LP-LCP 94V-0;
- ⑦ Plating Category: SN-Bright tin plating
- ⑧ Color: Blank-Natural Color

X3025 H V-2*XX LP SN XX

- Specifications:
- Voltage rating: 250V AC / DC
 - Current rating: 5A AC / DC
 - Withstanding voltage: 1000V AC/minute
 - Temperature range: -25°C~+85°C
 - Insulation resistance: ≥1000MΩ
 - Contact resistance: ≤10mΩ
 - After environmental testing: ≤20mΩ

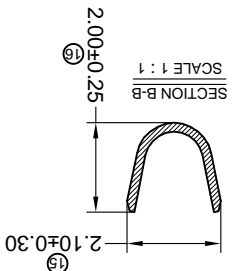
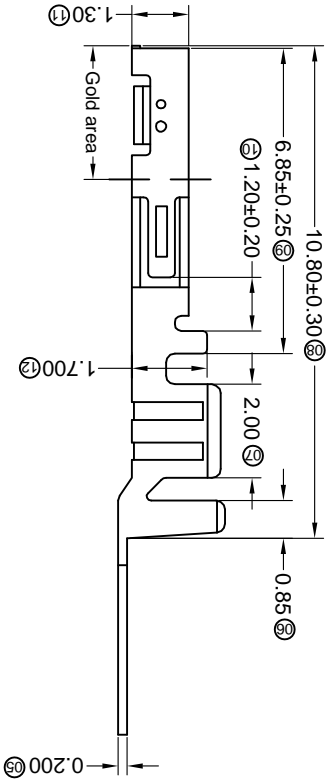
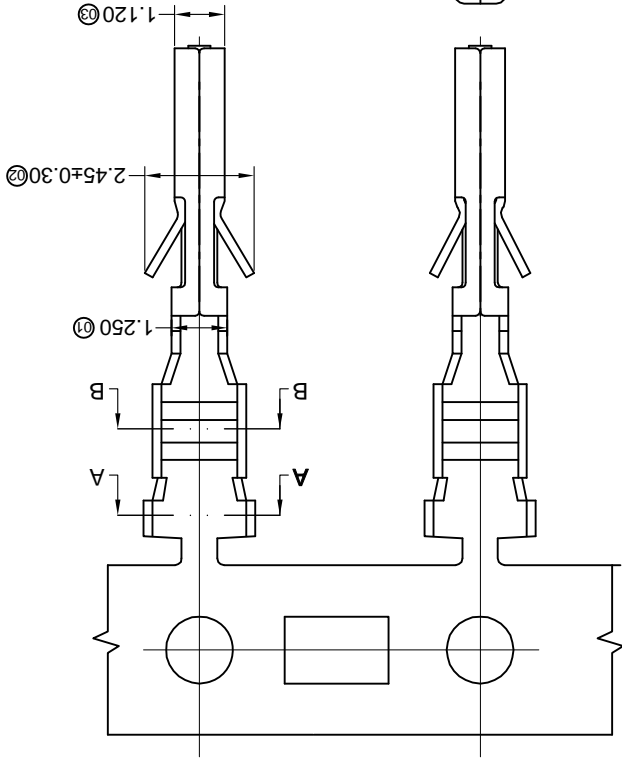
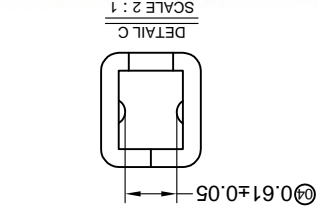
For and on behalf of
XKB INDUSTRIAL PRECISION CO., LIMITED
 香港星坤工業精密有限公司

REVISIONS
 (Unauthorized Signatures)

MARK	DESCRIPTION	DATE	REVISED	APPROVED	UNSPECIFIED TOLERANCES
△ X					L > 63 ± 0.5
△ X					16 > L ≤ 63 ± 0.4
△ X					4 < L ≤ 16 ± 0.3
△ X					L ≤ 4 ± 0.2
					ANGULAR ± 5°

DATE	DATE	DATE	DATE	DATE	DATE	DATE	DATE	DATE
DNSD	DWN	CHKD	APPD					
SCALE: N/A	VIEW:	UNIT: mm	SIZE: A4					
MODEL TYPE: X3025TF-PXXX	PART NO.:	3.00 mm Crimp Style Connectors		DWG NO.:				
WEIGHT: 1.0g	SHEET: 1/1	REVISION: A0						

PART NO	Material	Wire Range	Insulation O.D.	Finish	Used in XKB Housing
X3025TF-PG30	Phosphor Bronze	AWG#20-24	1.85mm(Max)	Stamping Before Plating:30~50u" Ni;Contact Area Gold:30u" Min.	X3025HM
X3025TF-PG15				Stamping Before Plating:30~50u" Ni;Contact Area Gold:15u" Min.	
X3025TF-PG01				Stamping Before Plating:30~50u" Ni;Contact Area Gold Flash	
X3025TF-PSN				Stamping Before Plating:30~50u" Ni;70~120u" Sn	



Specifications :

- Voltage rating: 250V AC / DC
- Current rating: 5A AC / DC
- Withstanding voltage: 1000V AC/minute
- Temperature range: -40°C~+85°C
- Insulation resistance: ≥1000MΩ
- Contact resistance: ≤10mΩ
- After environmental testing: ≤20mΩ

Series Number

- ①① ①② ①③ ①④ ①⑤ ①⑥ ①⑦

Category: T-terminal

Shape: F-Female Terminal

Material: P-Phosphor bronze

Plating style:

G-Gold-Plated Contact

*01-Gold Flash *15-15u" *30-30u"

SN-Bright tin plating 70-120u"

Plating method:

Blank-Stamping before plating

Mold No./Mark/Special No.

X3025 T F-P XX X-X

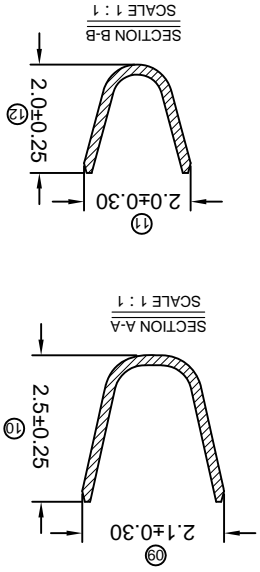
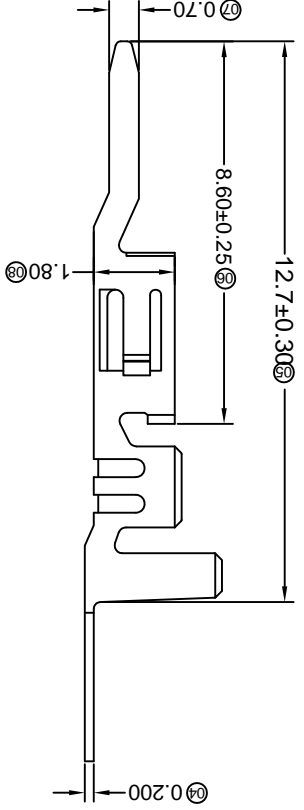
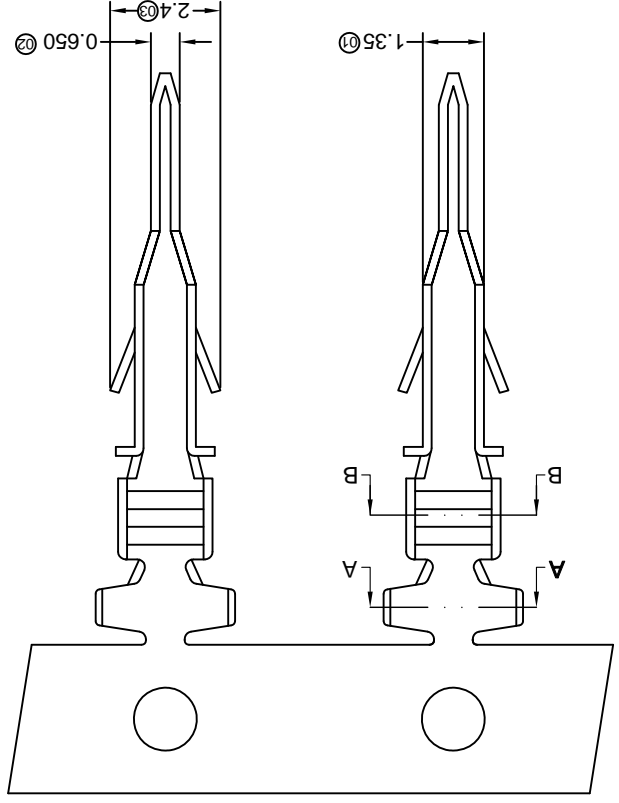
REVISIONS
Authorized Signature(s)

For and on behalf of
XKB INDUSTRIAL PRECISION CO., LIMITED
香港星坤工業精密有限公司

MARK	DESCRIPTION	DATE	REVISED	APPROVED	UNSPECIFIED TOLERANCES
△ X					L > 63
△ X					16 > L ≤ 63
△ X					4 < L ≤ 16
△ X					L ≤ 4
					ANGULAR ± 5°

REVISION	SHEET	WEIGHT	DATE	DATE	DATE	DATE
A0	1/1	1.0g				
XKB INDUSTRIAL PRECISION CO., LIMITED			SIZE: A4			
PART NO.: X3025TM-PXX			UNIT: mm			
MODEL TYPE: X3025TM-PXX			VIEW:			
3.00 mm Crimp Style Connectors			SCALE: N/A			
DWG NO.:						

PART NO	Material	Wire Range	Insulation O.D.	Finish
X3025TM-PSN	Phosphor Bronze AWG#20-24	1.85mm(Max)		Stamping Before Plating:30u" Ni;70u" Sn
X3025TM-PG01				Stamping Before Plating:30u" Ni>Contact Area Gold Flash
X3025TM-PG15				Stamping Before Plating:30u" Ni>Contact Area Gold:15u" Min.
X3025TM-PG30				Stamping Before Plating:30u" Ni>Contact Area Gold:30u" Min.
Used in XKB Housing				



- Specifications :**
- Voltage rating: 250V AC / DC
 - Current rating: 5A AC / DC
 - Withstanding voltage: 1000V AC/minute
 - Temperature range: -25°C~+85°C
 - Insulation resistance: ≥1000MΩ
 - Contact resistance: ≤10mΩ
 - After environmental testing: ≤20mΩ
- X3025 T-M-P XX X-X**
- ① Series Number
 - ② Category: T-terminal
 - ③ Shape: M-Male Terminal
 - ④ Material: P-Phosphor bronze
 - ⑤ Plating style: G-Gold-Plated Contact
 - ⑥ Plating method: SN-Bright tin plating 70u"
 - ⑦ *01-Gold Flash *15-15u" *30-30u"
 - ⑧ Mold No./Mark/Special No.

For and on behalf of
KKB INDUSTRIAL PRECISION CO., LIMITED
 香港星坤工業精密有限公司

REVISIONS
 (Authorized Signatures)

MARK	DESCRIPTION	DATE	REVISED	APPROVED	UNSPECIFIED TOLERANCES
△ X					L > 63 ± 0.5
△ X					16 > L ≤ 63 ± 0.4
△ X					4 < L ≤ 16 ± 0.3
△ X					L ≤ 4 ± 0.2
					ANGULAR ± 5°

DATE	SCALE: N/A	MODEL TYPE: X3025WR-2*XX-N0XXX	VIEW:	DATE	DATE	DATE	SIZE: A4
DNSD							
DWN							
CHKD							
APPD							

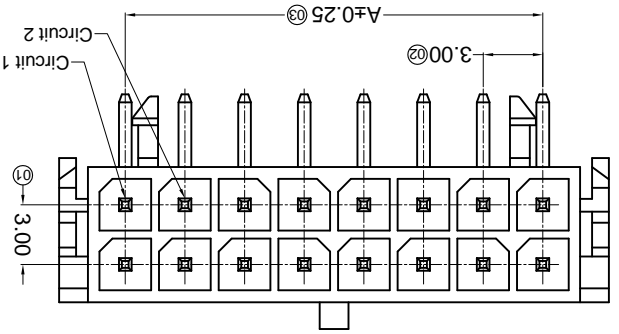
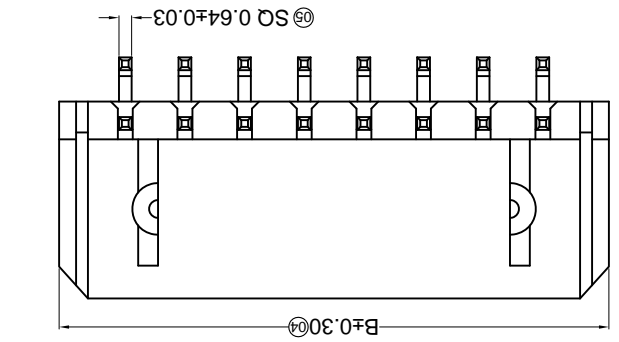
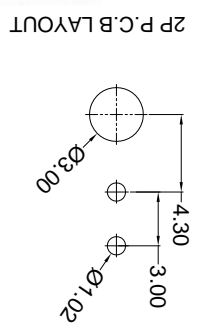
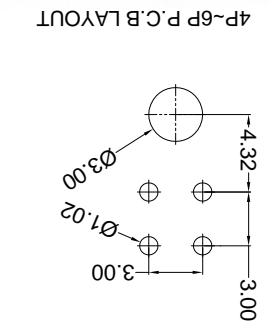
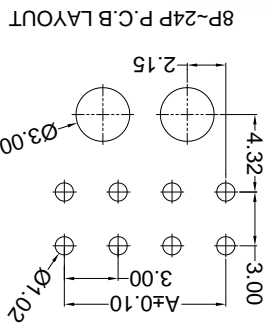
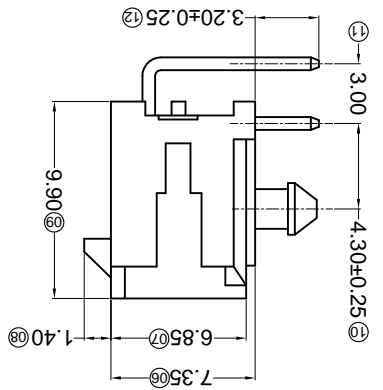
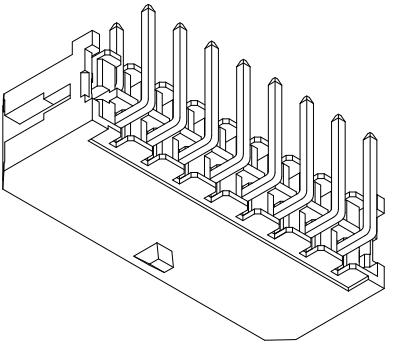
Part No.	Material	Material(Pin)	Finish(Pin)	Mates With KKB Housing
X3025WR-2*XX-N0G01	Nylon 66 UL 94V-0	Brass	Tin-Plated	X3025H
X3025WR-2*XX-N0SN	Nylon 66 UL 94V-0	Brass	Contact Gold	

Scale 1:3

Poles	Dimensions (mm)	
	A	B
2*01	---	6.65
2*02	3.00	9.65
2*03	6.00	12.65
2*04	9.00	15.65
2*05	12.00	18.65
2*06	15.00	21.65
2*07	18.00	24.65
2*08	21.00	27.65
2*09	24.00	30.65
2*10	27.00	33.65
2*11	30.00	36.65
2*12	33.00	39.65

- ① Series No.
 - ② Category: W-water
 - ③ Welding Board Angle: R-90°
 - ④ Welding Way: Blank-DIP
 - ⑤ Row No.-Pin No.: 2*XX-2*01P-2*12P
 - ⑥ Special NO.:
 - ⑦ Material: N0-PA66 94V-0
 - ⑧ Plating Category: G01-Contact Gold Flash;
 - ⑨ SN-Bright tin plating
 - ⑩ Color: Blank-natural color
- X3025 WR X-2*XX X-N0 XX XX
 ① ② ③ ④ ⑤ ⑥ ⑦ ⑧ ⑨ ⑩

- Specifications:
- Voltage rating: 250V AC / DC
- Current rating: 5A AC / DC
- Withstanding voltage: 1000V AC/minute
- Temperature range: -25°C~+85°C
- Insulation resistance: ≥1000MΩ
- Contact resistance: ≤10mΩ
- After environmental testing: ≤20mΩ



For and on behalf of
XKB INDUSTRIAL PRECISION CO., LIMITED
 香港星坤工業精密有限公司

REVISIONS
 Authorized Signature(s)

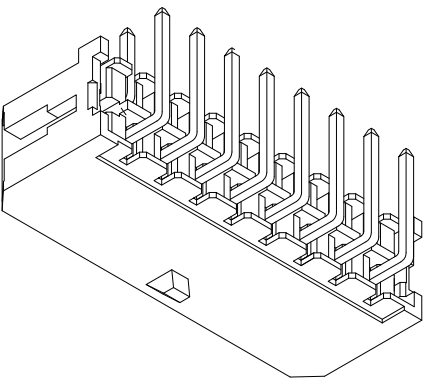
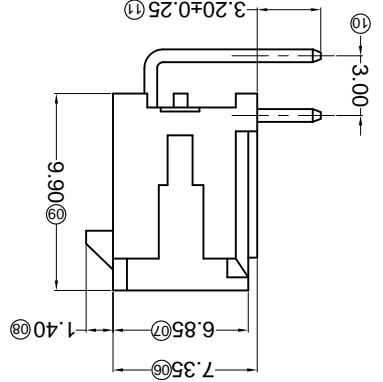
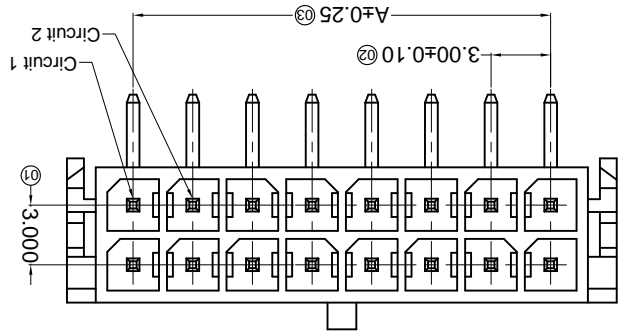
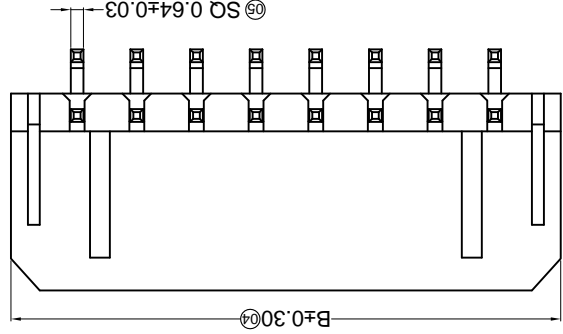
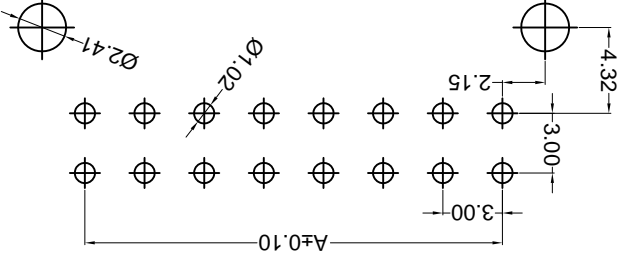
MARK	DESCRIPTION	DATE	REVISED	APPROVED	UNSPECIFIED TOLERANCES
△ X					L > 63 ± 0.5
△ X					16 < L ≤ 63 ± 0.4
△ X					4 < L ≤ 16 ± 0.3
					L ≤ 4 ± 0.2
					ANGULAR ± 5°

MODEL TYPE	SCALE	DATE	DSPND
X3025WR-2*XXB-XXSN	N/A		
PART NO.:	VIEW:	DATE	DWN
3.00 mm Crimp Style Connectors	UNIT: mm	DATE	CHKD
SIZE: A4	DATE	APPD	
WEIGHT	SHEET	REVISION	
1.0g	1/1	A0	

Poles	Dimensions (mm)		Poles		Dimensions (mm)	
	A	B	A	B	A	B
2*01	---	6.65	2*07	18.00	24.65	24.65
2*02	3.00	9.65	2*08	21.00	27.65	27.65
2*03	6.00	12.65	2*09	24.00	30.65	30.65
2*04	9.00	15.65	2*10	27.00	33.65	33.65
2*05	12.00	18.65	2*11	30.00	36.65	36.65
2*06	15.00	21.65	2*12	33.00	39.65	39.65

Part No.	Material	Material (Pin)	Finish (Pin)	Mates With XKB Housing
X3025WR-2*XXB-N0SN	Nylon 66 UL 94V-0	Brass	Tin-Plated	X3025H
X3025WR-2*XXB-46SN	Nylon 46 UL 94V-0			
X3025WR-2*XXB-LP-SN	LCP UL 94V-0			

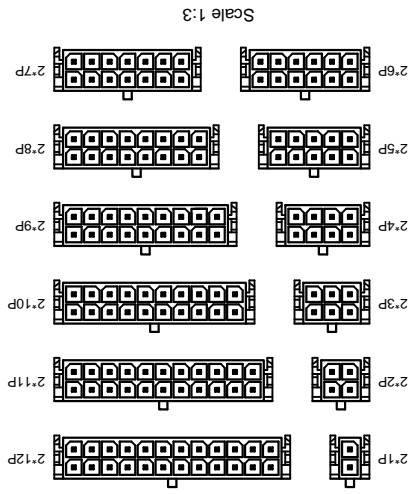
Recommended P.C.B Layout
 General Tolerance±0.05



Specifications :

- Voltage rating: 250V AC / DC
- Current rating: 5A AC / DC
- Withstanding voltage: 1000V AC/minute
- Temperature range: -25°C~+85°C
- Insulation resistance: ≥1000MΩ
- Contact resistance: ≤10mΩ
- After environmental testing: ≤20mΩ

X3025 W R X-2*XX B-XX XX XX
 ① Series No.
 ② Category: W-water
 ③ Welding Board Angle: R-90°
 ④ Welding Way: Blank-DIP
 ⑤ Row No.-Pin No.: 2*XX-2*01P-2*12P
 ⑥ Special NO.: B-Without positioning column
 ⑦ Material: 46-PA46 94V-0 N0-PA66 94V-0 LP-LCP 94V-0
 ⑧ Plating Category: SN-Bright tin plating
 ⑨ Color: Blank-natural color



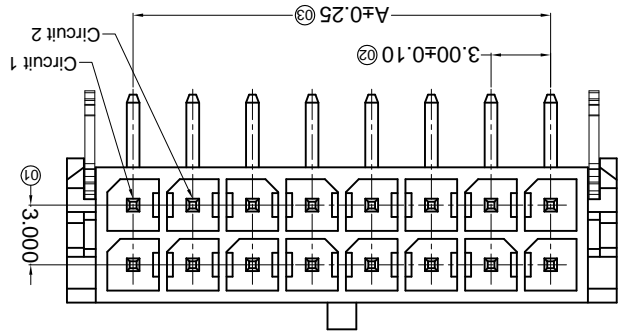
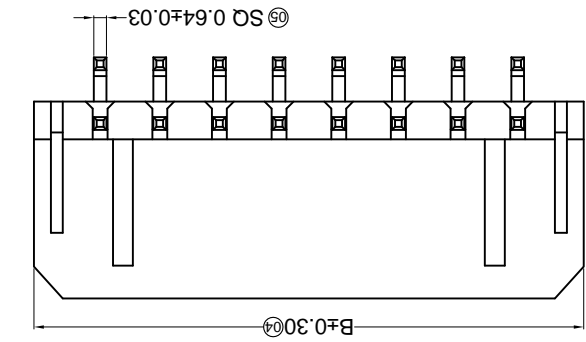
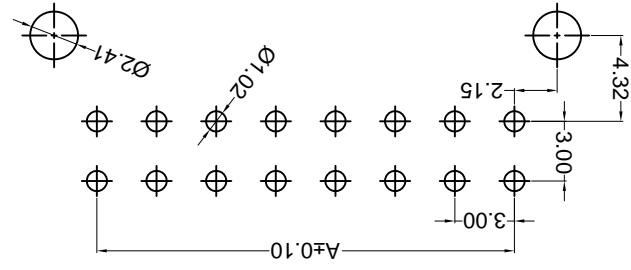
MARK	DESCRIPTION	DATE	REVISIONS	APPROVED	REVISOR	DATE	DESCRIPTION
△ X						L > 63	UNSPECIFIED TOLERANCES
△ X						16 < L ≤ 63	
△ X						4 < L ≤ 16	
△ X						L ≤ 4	
						ANGULAR	

For and on behalf of
XKB INDUSTRIAL PRECISION CO., LIMITED
 香港星坤工業精密有限公司

MARK	DESCRIPTION	DATE	REVISIONS	APPROVED	REVISOR	DATE	DESCRIPTION
△ X						L > 63	UNSPECIFIED TOLERANCES
△ X						16 < L ≤ 63	
△ X						4 < L ≤ 16	
△ X						L ≤ 4	
						ANGULAR	

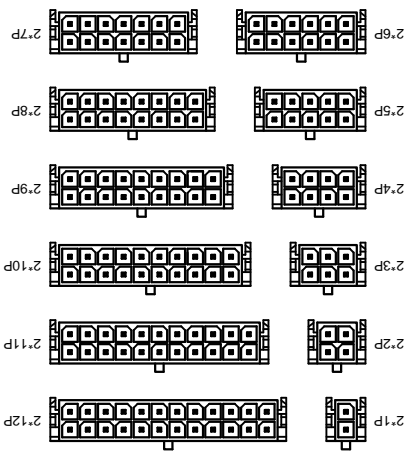
REVISION	A0	WEIGHT	1.0g	SHEET	1/1
DWG NO.:					
PART NO.:	3.00 mm Crimp Style Connectors				
MODEL TYPE:	X3025WR-2*XXC-XXX				
SCALE:	N/A				
DATE		DATE		DATE	
DNSD		DWN		CHKD	
APPD		DATE		DATE	
SIZE:	A4				

Recommended P.C.B Layout
 General Tolerance±0.05



- Specifications :**
- Voltage rating: 250V AC / DC
 - Current rating: 5A AC / DC
 - Withstanding voltage: 1000V AC/minute
 - Temperature range: -25°C~+85°C
 - Insulation resistance: ≥1000MΩ
 - Contact resistance: ≤10mΩ
 - After environmental testing: ≤20mΩ

- X3025 W R X-2*XX C-XX XX XX**
- 01 Series No.
 - 02 Category: W-water
 - 03 Welding Board Angle: R-90°
 - 04 Welding Way: Blank-DIP
 - 05 Row No.-Pin No.: 2*XX-2*01P~2*12P
 - 06 Special NO.: C-The harpoon
 - 07 Material:
 - 08 46-PA46 94V-0 NO-PA66 94V-0 LP-LCP 94V-0
 - 09 Planting Category:
 - G*:Gold-Plated Contact *02-2u"
 - SN-Bright tin plating 70u"
 - Color: Blank-natural color



Scale 1:3

Poles	A	B	Dimensions (mm)
2*01	---	6.65	
2*02	3.00	9.65	
2*03	6.00	12.65	
2*04	9.00	15.65	
2*05	12.00	18.65	
2*06	15.00	21.65	
2*07	18.00	24.65	
2*08	21.00	27.65	
2*09	24.00	30.65	
2*10	27.00	33.65	
2*11	30.00	36.65	
2*12	33.00	39.65	

Part No.	Material	Material(Pin)	Finish(Pin)	Mates With(XB Housing)
X3025WR-2*XXC-N0G02	Nylon 66 UL 94V-0	LCP UL 94V-0	Gold Flash	X3025H
X3025WR-2*XXC-LP5N	LCP UL 94V-0			
X3025WR-2*XXC-46SN	Nylon 46 UL 94V-0		Tin-Plated	
X3025WR-2*XXC-N0SN	Nylon 66 UL 94V-0			

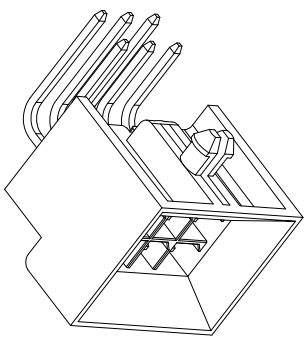
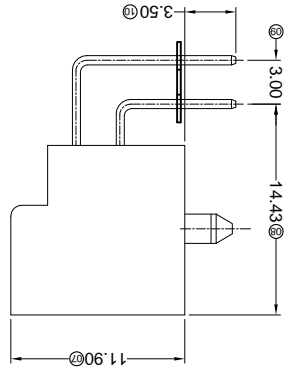
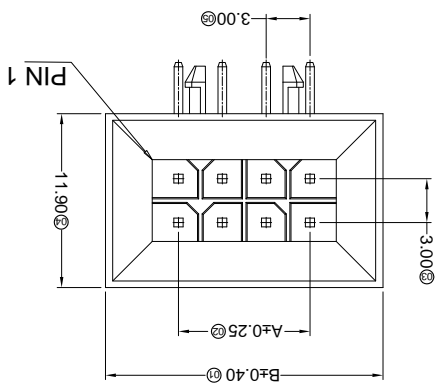
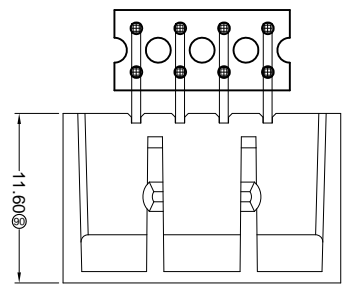
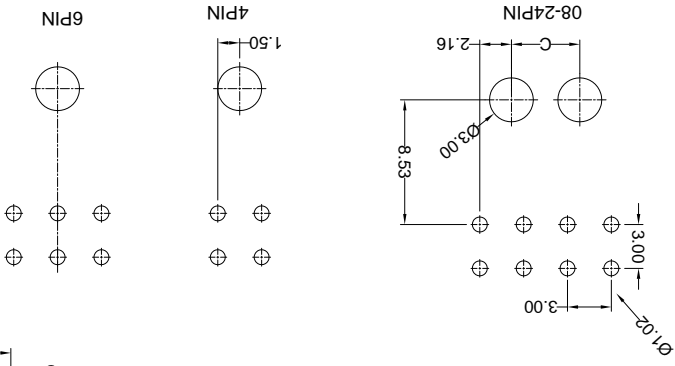
For and on behalf of
KXB INDUSTRIAL PRECISION CO., LIMITED
 香港星坤工業精密有限公司

REVISIONS
 (Authorized Signatures)

MARK	DESCRIPTION	DATE	REVISED	APPROVED	UNSPECIFIED TOLERANCES
△ X					L > 63
△ X					16 < L ≤ 63
△ X					4 < L ≤ 16
△ X					L ≤ 4
					ANGULAR
					± 5°

DATE	SCALE: N/A	MODEL TYPE:
		X3025WR-2*XXH-LPSN
DATE	VIEW:	PART NO.:
DATE	UNIT: mm	DWG NO.:
		3.00 mm Crimp Style Connectors
DATE	SIZE: A4	REVISION
		A0
DATE	WEIGHT	SHEET
	1.0g	1/1

PCB LAYOUT: Component side



Part No.	Material	Material(Pin)	Finish(Pin)	Mates With XKB Housing
X3025WR-2*XXH-LPSN	LCP UL 94V-0	Brass	Tin-Plated	X3025H

Poles	Dimensions (mm)		
	A	B	C
2*02	3.00	13.00	2*08
2*03	6.00	16.00	2*09
2*04	9.00	19.00	4.68
2*05	12.00	22.00	7.68
2*06	15.00	25.00	10.68
2*07	18.00	28.00	13.68

- ① Series No. X3025 W R X-2*XX H-LP SN XX
- ② ③ ④ ⑤ ⑥ ⑦ ⑧ ⑨
- ① Series No.
 - ② Category: W-water
 - ③ Welding Board Angle: R-90°
 - ④ Welding Way: Blank-DIP
 - ⑤ Row No.-Pin No.: 2*XX-2*01P~2*12P
 - ⑥ Special NO.: H-With Base and positioning column
 - ⑦ Material: LP-LCP 94V-0
 - ⑧ Planting Category: SN-Bright tin plating
 - ⑨ Color: Blank-natural color

- Specifications:
- Voltage rating: 250V AC / DC
 - Current rating: 5A AC / DC
 - Withstanding voltage: 1500V AC/minute
 - Temperature range: -25°C~+85°C
 - Insulation resistance: ≥1000MΩ
 - Contact resistance: ≤10mΩ
 - After environmental testing: ≤20mΩ

REVISIONS
 (Authorized Signatures)

MARK	DESCRIPTION	DATE	REVISED	APPROVED	UNSPECIFIED TOLERANCES
△ X					L > 63 ± 0.5
△ X					16 < L ≤ 63 ± 0.4
△ X					4 < L ≤ 16 ± 0.3
△ X					L ≤ 4 ± 0.2
					ANGULAR ± 5°

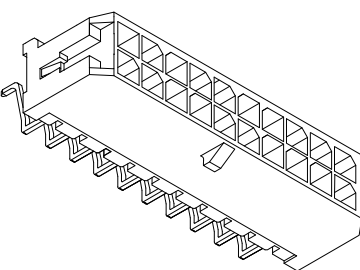
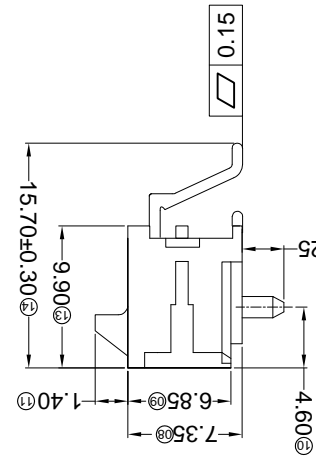
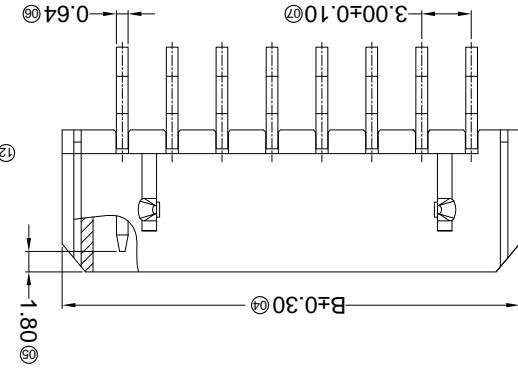
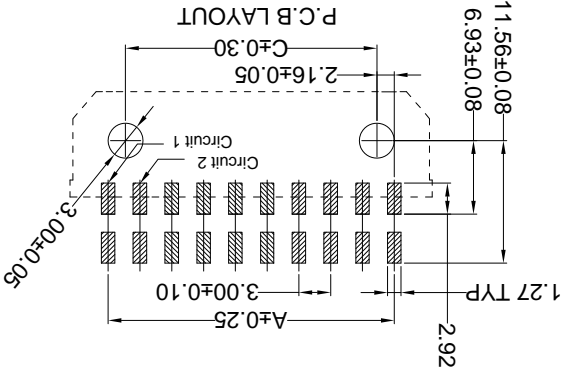
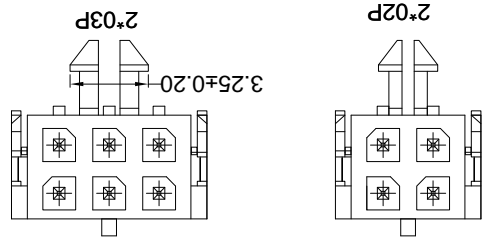
For and on behalf of
 KXB INDUSTRIAL PRECISION CO., LIMITED
 香港星坤工業精密有限公司

KXB INDUSTRIAL PRECISION CO., LIMITED

DATE	SCALE: N/A	MODEL TYPE:
		X3025WRS-2*XXA-LPXX
DATE	VIEW:	PART NO.:
DATE	UNIT: mm	DWG NO.:
		3.00 mm Crimp Style Connectors
DATE	SIZE: A4	REVISION
		A0
WEIGHT	SHEET	REVISION
1.0g	1/1	

PART NO	Material	Material(Pin)	Finish(Pin)	Mates With XKB Housing
X3025WRS-2*XXA-LP5W	LCP UL 94V-0	Brass	Tin-Plated	X3025H
X3025WRS-2*XXA-LP5W	LCP UL 94V-0	Brass	Mate Tin Plating	

Poles	Dimensions (mm)		
	A	B	C
2*01	6.65	2*07	18.00
2*02	3.00	2*08	21.00
2*03	6.00	2*09	24.00
2*04	9.00	2*10	27.00
2*05	12.00	2*11	30.00
2*06	15.00	2*12	33.00
2*07	18.00	2*13	36.00
2*08	21.00	2*14	39.00
2*09	24.00	2*15	42.00
2*10	27.00	2*16	45.00
2*11	30.00	2*17	48.00
2*12	33.00	2*18	51.00
2*13	36.00	2*19	54.00
2*14	39.00	2*20	57.00
2*15	42.00	2*21	60.00
2*16	45.00	2*22	63.00
2*17	48.00	2*23	66.00
2*18	51.00	2*24	69.00
2*19	54.00	2*25	72.00
2*20	57.00	2*26	75.00
2*21	60.00	2*27	78.00
2*22	63.00	2*28	81.00
2*23	66.00	2*29	84.00
2*24	69.00	2*30	87.00
2*25	72.00	2*31	90.00
2*26	75.00	2*32	93.00
2*27	78.00	2*33	96.00
2*28	81.00	2*34	99.00
2*29	84.00	2*35	102.00
2*30	87.00	2*36	105.00
2*31	90.00	2*37	108.00
2*32	93.00	2*38	111.00
2*33	96.00	2*39	114.00
2*34	99.00	2*40	117.00
2*35	102.00	2*41	120.00
2*36	105.00	2*42	123.00
2*37	108.00	2*43	126.00
2*38	111.00	2*44	129.00
2*39	114.00	2*45	132.00
2*40	117.00	2*46	135.00
2*41	120.00	2*47	138.00
2*42	123.00	2*48	141.00
2*43	126.00	2*49	144.00
2*44	129.00	2*50	147.00
2*45	132.00	2*51	150.00
2*46	135.00	2*52	153.00
2*47	138.00	2*53	156.00
2*48	141.00	2*54	159.00
2*49	144.00	2*55	162.00
2*50	147.00	2*56	165.00
2*51	150.00	2*57	168.00
2*52	153.00	2*58	171.00
2*53	156.00	2*59	174.00
2*54	159.00	2*60	177.00
2*55	162.00	2*61	180.00
2*56	165.00	2*62	183.00
2*57	168.00	2*63	186.00
2*58	171.00	2*64	189.00
2*59	174.00	2*65	192.00
2*60	177.00	2*66	195.00
2*61	180.00	2*67	198.00
2*62	183.00	2*68	201.00
2*63	186.00	2*69	204.00
2*64	189.00	2*70	207.00
2*65	192.00	2*71	210.00
2*66	195.00	2*72	213.00
2*67	198.00	2*73	216.00
2*68	201.00	2*74	219.00
2*69	204.00	2*75	222.00
2*70	207.00	2*76	225.00
2*71	210.00	2*77	228.00
2*72	213.00	2*78	231.00
2*73	216.00	2*79	234.00
2*74	219.00	2*80	237.00
2*75	222.00	2*81	240.00
2*76	225.00	2*82	243.00
2*77	228.00	2*83	246.00
2*78	231.00	2*84	249.00
2*79	234.00	2*85	252.00
2*80	237.00	2*86	255.00
2*81	240.00	2*87	258.00
2*82	243.00	2*88	261.00
2*83	246.00	2*89	264.00
2*84	249.00	2*90	267.00
2*85	252.00	2*91	270.00
2*86	255.00	2*92	273.00
2*87	258.00	2*93	276.00
2*88	261.00	2*94	279.00
2*89	264.00	2*95	282.00
2*90	267.00	2*96	285.00
2*91	270.00	2*97	288.00
2*92	273.00	2*98	291.00
2*93	276.00	2*99	294.00
2*94	279.00	2*100	297.00
2*95	282.00	2*101	300.00
2*96	285.00	2*102	303.00
2*97	288.00	2*103	306.00
2*98	291.00	2*104	309.00
2*99	294.00	2*105	312.00
2*100	297.00	2*106	315.00



- Specifications :
- Voltage rating: 250V AC / DC
 - Current rating: 5A AC / DC
 - Withstanding voltage: 1000V AC/minute
 - Temperature range: -25°C~+85°C
 - Insulation resistance: >=1000MΩ
 - Contact resistance: <=10mΩ
 - After environmental testing: <=20mΩ

- X3025 W R S-2*XX A-LP XX XX
- ① Series No.
 - ② Category: W-water
 - ③ Welding Board Angle: R- Right Angle 90°
 - ④ Welding Way: S-SMT
 - ⑤ Row No.-Pin No.: 2*XX-2*01P-2*12P
 - ⑥ Plug the Pin & Special No.: A-With Post
 - ⑦ Material: LP-LCP 94V-0
 - ⑧ Planting Category: SN-Bright tin plating
 - ⑨ Color: Blank-natural color
 - ⑩ SW-Matte Tin plating
 - ⑪ Dimensions (mm)
 - ⑫ Dimensions (mm)
 - ⑬ Poles
 - ⑭ Poles
 - ⑮ Dimensions (mm)
 - ⑯ Dimensions (mm)
 - ⑰ Dimensions (mm)
 - ⑱ Dimensions (mm)
 - ⑲ Dimensions (mm)
 - ⑳ Dimensions (mm)
 - ㉑ Dimensions (mm)
 - ㉒ Dimensions (mm)
 - ㉓ Dimensions (mm)
 - ㉔ Dimensions (mm)
 - ㉕ Dimensions (mm)
 - ㉖ Dimensions (mm)
 - ㉗ Dimensions (mm)
 - ㉘ Dimensions (mm)
 - ㉙ Dimensions (mm)
 - ㉚ Dimensions (mm)
 - ㉛ Dimensions (mm)
 - ㉜ Dimensions (mm)
 - ㉝ Dimensions (mm)
 - ㉞ Dimensions (mm)
 - ㉟ Dimensions (mm)
 - ㊱ Dimensions (mm)
 - ㊲ Dimensions (mm)
 - ㊳ Dimensions (mm)
 - ㊴ Dimensions (mm)
 - ㊵ Dimensions (mm)
 - ㊶ Dimensions (mm)
 - ㊷ Dimensions (mm)
 - ㊸ Dimensions (mm)
 - ㊹ Dimensions (mm)
 - ㊺ Dimensions (mm)
 - ㊻ Dimensions (mm)
 - ㊼ Dimensions (mm)
 - ㊽ Dimensions (mm)
 - ㊾ Dimensions (mm)
 - ㊿ Dimensions (mm)

For and on behalf of
KXB INDUSTRIAL PRECISION CO., LIMITED
 香港星坤工業精密有限公司

REVISIONS
 Authorized Signature(s)

MARK	DESCRIPTION	DATE	REVISED	APPROVED	UNSPECIFIED TOLERANCES
△ X					L > 63
△ X					16 < L ≤ 63
△ X					4 < L ≤ 16
△ X					L ≤ 4
					ANGULAR ± 5°
					± 0.5

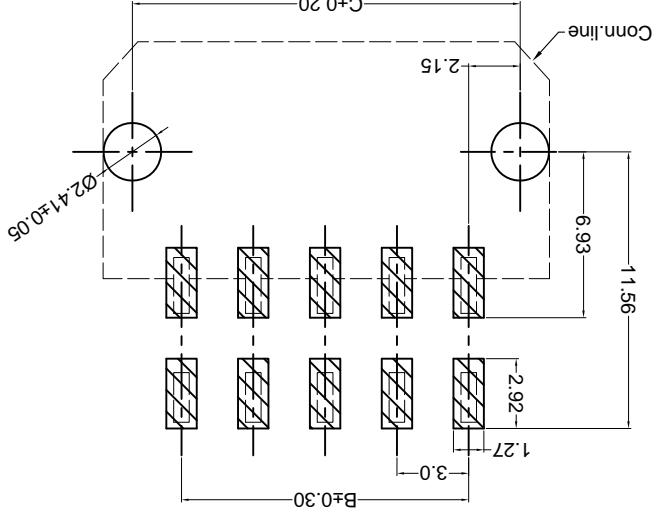
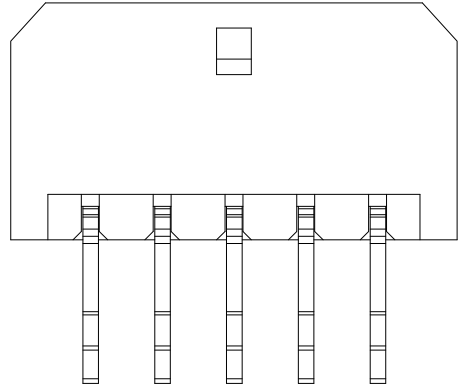
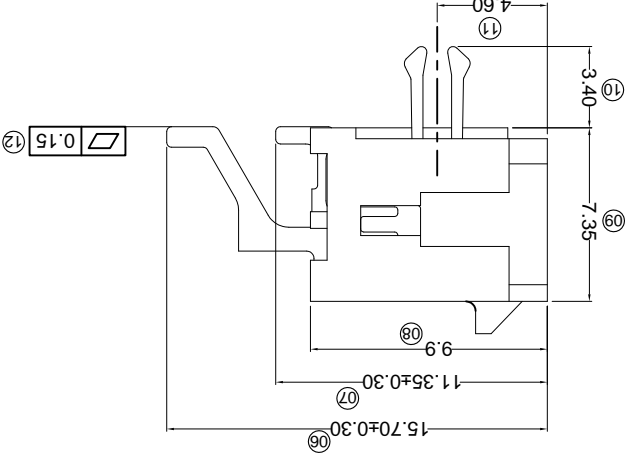
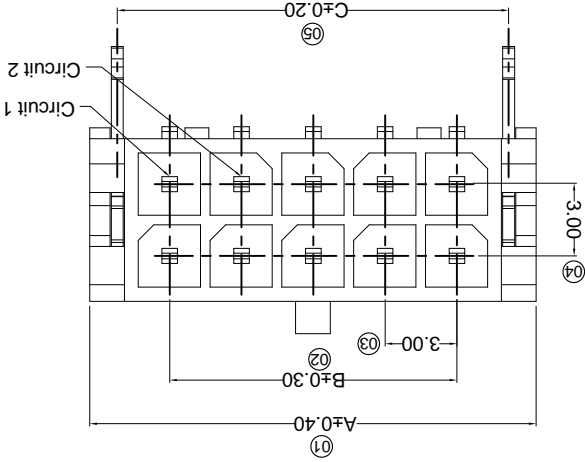
REVISION	SHEET	WEIGHT	DATE	DATE	DATE	DATE	DATE
A0	1/1	1.0g					

KXB INDUSTRIAL PRECISION CO., LIMITED

DSND	DWN	CHKD	APPD
DATE	DATE	DATE	DATE
SCALE: N/A	VIEW:	UNIT: mm	SIZE: A4

MODEL TYPE: X3025WRS-2*XXC-XXXX
 PART NO.:
 DWG NO.:
 3.00 mm Crimp Style Connectors

PART NO	Material	Material(Pin)	Finish(Pin)	(Solder Tabs) Material	(Solder Tabs) Finish	Mates With XKB Housing
X3025WRS-2*XXC-LPSW	LCP UL 94V-0	Brass	Ni:50u"Min; Sn:120u"Min	Brass	Tin-Plated	X3025H
X3025WRS-2*XXC-LPSN	PA66 UL 94V-0				Matte Tin Plating	



Poles	A	B	C
02	6.65	---	4.20
04	9.65	3.00	7.20
06	12.65	6.00	10.20
08	15.65	9.00	13.20
10	18.65	12.00	16.20
12	21.65	15.00	19.20
14	24.65	18.00	22.20
16	27.65	21.00	25.20
18	30.65	24.00	28.20
20	33.65	27.00	31.20
22	36.65	30.00	34.20
24	39.65	33.00	37.20

Dimensions(mm)

- Specifications :
- Voltage rating: 250V AC / DC
 - Current rating: 5A AC / DC
 - Withstanding voltage: 1000V AC/minute
 - Temperature range: -25°C~+85°C
 - Insulation resistance: ≥1000MΩ
 - Contact resistance: ≤10mΩ
 - After environmental testing: ≤20mΩ
- X3025 W R S- 2*XX C-XX XX XX
- ① Series No.
 ② Category: W-water
 ③ Welding Board Angle: R-90°
 ④ Welding Way: S-SMT
 ⑤ Row No.-Pin No.: 2*XX-Double row
 ⑥ Special NO.: C-The harpoon
 ⑦ Material: LP-LCP 94V-0
 ⑧ Material: N0-PA66 94V-0
 ⑨ Plating Category:
 SN-Bright tin plating 70u"
 SW-Fog Tin plating
 Color: Blank-natural color

REVISIONS
(Unauthorized Signature(s))

MARK	DESCRIPTION	DATE	REVISID	APPROVED	UNSPECIFIED TOLERANCES
△ X					L > 63
△ X					16 < L ≤ 63
△ X					4 < L ≤ 16
△ X					L ≤ 4
					ANGULAR
					± 5°

For and on behalf of
XKB INDUSTRIAL PRECISION CO., LIMITED
香港星坤工業精密有限公司

XKB INDUSTRIAL PRECISION CO., LIMITED

DATE	SCALE: N/A	MODEL TYPE: X3025WRS-2*XXD-XXXX
DATE	VIEW:	PART NO.:
DATE	UNIT: mm	DWG NO.:
DATE	SIZE: A4	REVISION
DATE		SHEET
DATE		1/1
DATE		WEIGHT
DATE		1.0g
DATE		8

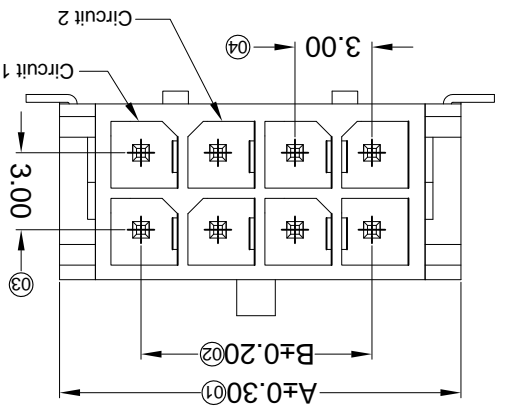
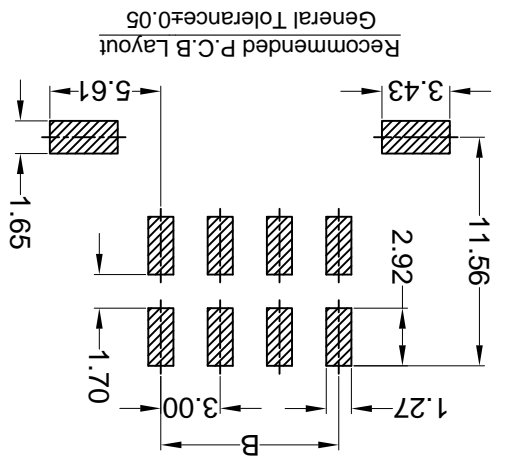
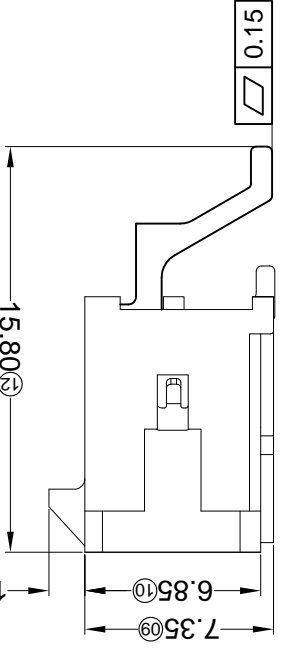
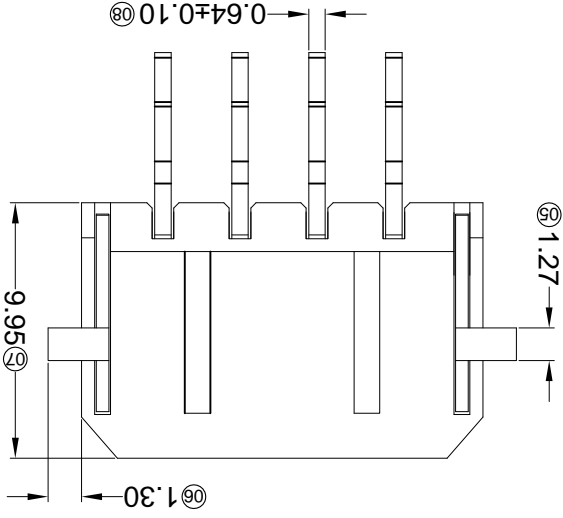
PART NO	Material	Material(Pin)	Finish(Pin)	Material (Solder Tabs)	Finish (Solder Tabs)	Mates With XKB Housing
X3025WRS-2*XXD-LPSN			Tin-Plated		Finish	
X3025WRS-2*XXD-LPG06	LCP UL 94V-0	Brass	NI:50µ Min; Sn:120µ Min; Contact Area Gold:5µ Min.	Brass	Tin-Plated	X3025H
X3025WRS-2*XXD-LPSW			Matte tin			

Poles	Dimensions (mm)		Poles		Dimensions (mm)	
	A	B	A	B	A	B
2*01	6.65	---	2*07	24.65	18.00	
2*02	9.65	3.00	2*08	27.65	21.00	
2*03	12.65	6.00	2*09	30.65	24.00	
2*04	15.65	9.00	2*10	33.65	27.00	
2*05	18.65	12.00	2*11	36.65	30.00	
2*06	21.65	15.00	2*12	39.65	33.00	

- ① Series No.
- ② Category: W-WAFER
- ③ Welding Board Angle: R-Straight 90°
- ④ Welding Way: S-SMT
- ⑤ Row No.-Pin No.: 2*XX-2*02P~2*22P
- ⑥ Plug the Pin & Special No.: D-With Solder Tabs
- ⑦ Material: LP-LCP 94V-0
- ⑧ Plating Category: SN-Bright Tin Plating; G05-Contact Gold 5µ
- ⑨ Color: Blank-Natural Color

X3025 W R S-2*XX D-LP XX XX
① ② ③ ④ ⑤ ⑥ ⑦ ⑧ ⑨

- Specifications:
- Voltage rating: 250V AC / DC
 - Current rating: 5A AC / DC
 - Withstanding voltage: 1000V AC/minute
 - Temperature range: -25°C~+85°C
 - Insulation resistance: ≥1000MΩ
 - Contact resistance: ≤10mΩ
 - After environmental testing: ≤20mΩ



For and on behalf of
XKB INDUSTRIAL PRECISION CO., LIMITED
 香港星坤工業精密有限公司

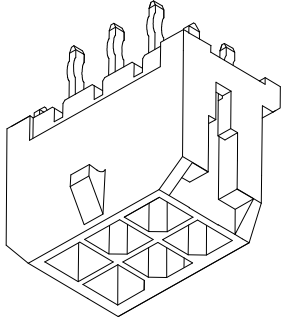
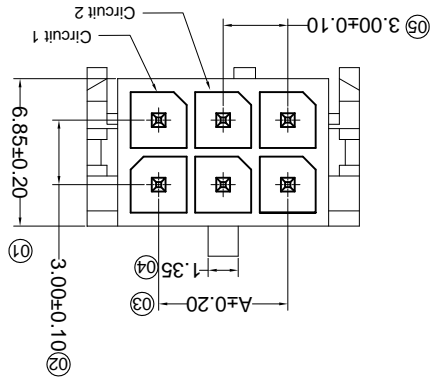
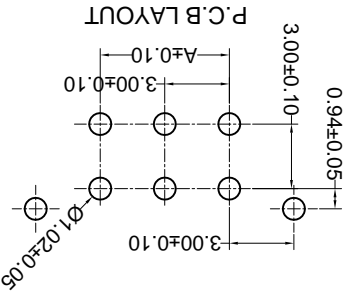
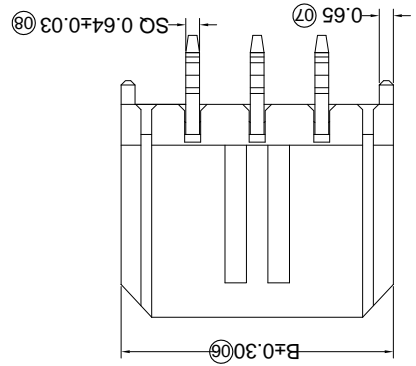
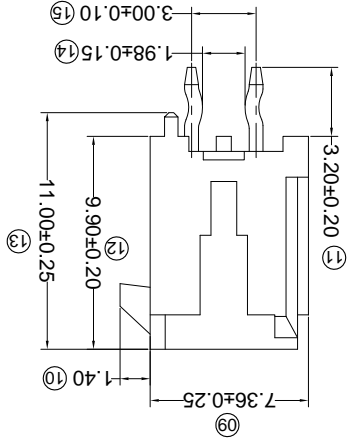
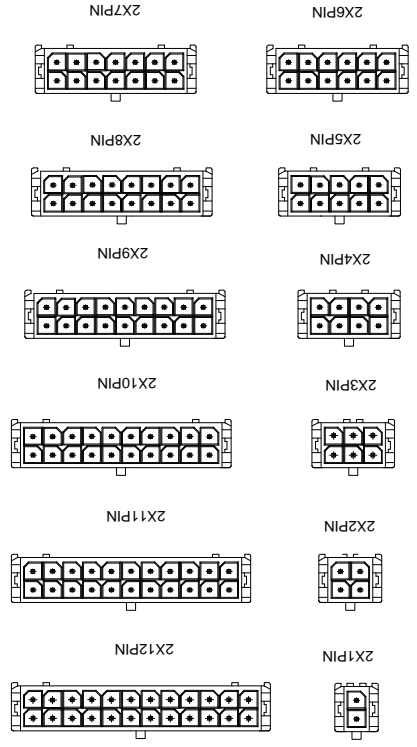
REVISIONS
 (Authorized Signature)

MARK	DESCRIPTION	DATE	REVISED	APPROVED	UNSPECIFIED TOLERANCES
△ X					L > 63 ± 0.5
△ X					16 < L ≤ 63 ± 0.4
△ X					4 < L ≤ 16 ± 0.3
					L ≤ 4 ± 0.2
					ANGULAR ± 5°

DATE	SCALE: N/A	MODEL TYPE: X3025WV-2*XX-XXXX
DNSD		
DWN	VIEW:	PART NO.: 3.00 mm Crimp Style Connectors
CHKD	UNIT: mm	DWG NO.:
APPD	DATE	SIZE: A4
		WEIGHT 1.0g
		SHEET 1/1
		REVISION A0

PART NO	Material	Material (Pin)	Finish (Pin)	Mates With XKB Housing
X3025WV-2*XX-PTSN	PBT UL 94V-0	Brass	Tin-Plated	X3025H
X3025WV-2*XX-46SN	PA46 UL 94V-0			
X025WV-2*XX-N0SN	PA66 UL 94V-0			
X3025WV-2*XX-46V01	PA46 UL 94V-0			

Poles	Dimensions (mm)	
	A	B
2*06	15.00	21.65
2*05	12.00	18.65
2*04	9.00	15.65
2*03	6.00	12.65
2*02	3.00	9.65
2*01	---	6.65



- Specifications :
- Voltage rating: 250V AC / DC
 - Current rating: 5A AC / DC
 - Withstanding voltage: 1000V AC/minute
 - Temperature range: -25°C~+85°C
 - Insulation resistance: ≥1000MΩ
 - Contact resistance: ≤10mΩ
 - After environmental testing: ≤20mΩ

- ① Series No.
 ② Category: W-WAFER
 ③ Welding Board Angle: V-Straight 180°
 ④ Welding Way: Blank-DIP
 ⑤ Row No.-Pin No.: 2*XX-2*01P~2*22P
 ⑥ Plug the Pin & Special No.:
 ⑦ Material: N0-PA66 94V-0 ; PT-PBT 94V-0 ; 46-PA46 94V-0
 ⑧ Plating Category: SN-Bright Tin Plating; V01-All Gold Flash
 ⑨ Color : Blank-Natural Color

X3025 W V X-2*XX X-XX XX XX

REVISIONS
(Unauthorized Signatures)

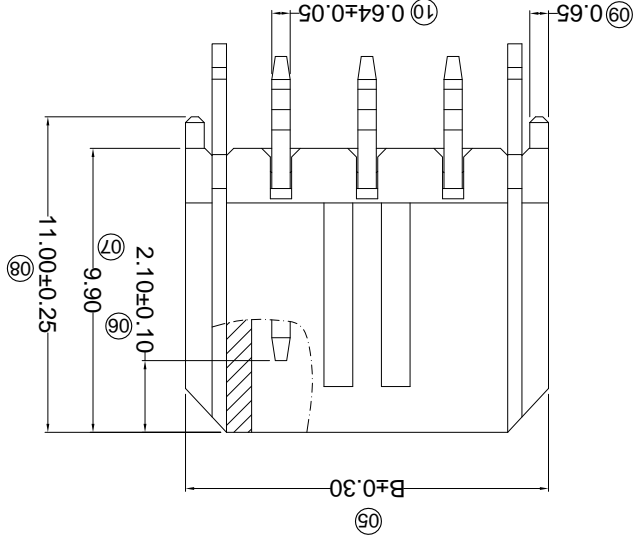
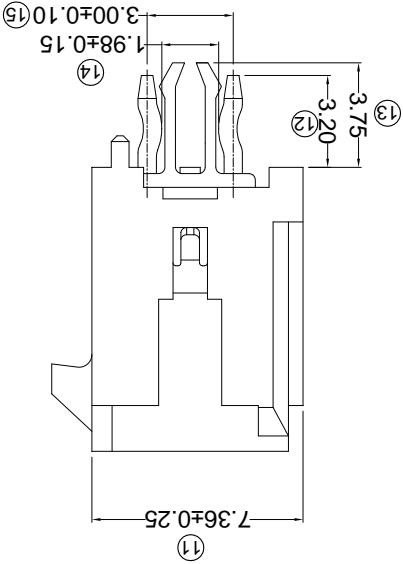
MARK	DESCRIPTION	DATE	REVISED	APPROVED	UNSPECIFIED TOLERANCES
△ X					L > 63
△ X					16 > L ≤ 63
△ X					4 < L ≤ 16
△ X					L ≤ 4
					ANGULAR
					± 5°

For and on behalf of
KXB INDUSTRIAL PRECISION CO., LIMITED
香港星坤工業精密有限公司

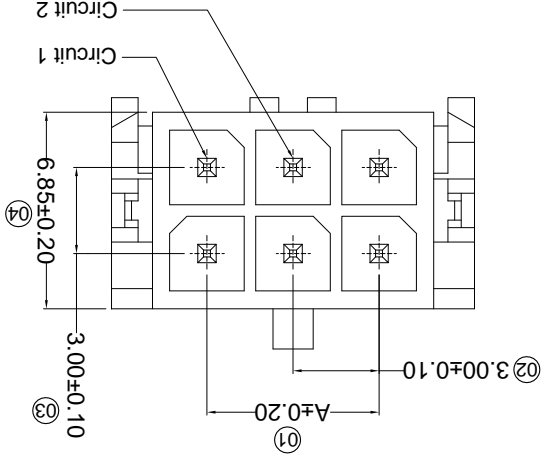
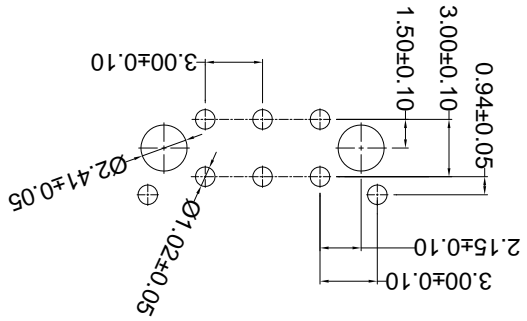
KXB INDUSTRIAL PRECISION CO., LIMITED

WEIGHT	1.0g
SHEET	1/1
REVISION	A0

DSND	DATE	SCALE: N/A	MODEL TYPE: X3025WV-2*XXC-XXXX
DWN	DATE	VIEW:	PART NO.:
CHKD	DATE	UNIT: mm	DWG NO.:
APPD	DATE	SIZE: A4	3.00 mm Crimp Style Connectors



P.C.B LAYOUT



Poles	Dimensions (mm)		
	A	B	
02	--	6.65	
04	3.00	9.65	
06	6.00	12.65	
08	9.00	15.65	
10	12.00	18.65	
12	15.00	21.65	
14	18.00	24.65	
16	21.00	27.65	
18	24.00	30.65	
20	27.00	33.65	
22	30.00	36.65	
24	33.00	39.65	

- ① Series No.
- ② Category: W-water
- ③ Welding Board Angle: V-180°
- ④ Welding Way: Blank-DIP
- ⑤ Row No.-Pin No. 2*XX-Double row
- ⑥ Special NO.
- ⑦ Material: LP-LCP 94V-0 9T-PA9T 94V-0
- ⑧ Planting Category: V** All Gold-Plated
- ⑨ *01-Gold Flash : *02-2u" ; *03-3u" ; *05-5u" ; *10-10u" ; *15-15u" ; *30-30u" ; *50-50u"
- ⑩ SN-Bright tin plating 70u"
- ⑪ SN1-Bright tin plating 120u"Min.
- ⑫ SW-Fog Tin plating
- ⑬ Color: Blank-natural color

- Specifications :
- Voltage rating: 250V AC / DC
 - Current rating: 5A AC / DC
 - Withstanding voltage: 1000V AC/minute
 - Temperature range: -25°C~+85°C
 - Insulation resistance: ≥1000MΩ
 - Contact resistance: ≤10mΩ
 - After environmental testing: ≤20mΩ

REVISIONS
Authorized Signatures

MARK	DESCRIPTION	DATE	REVISED	APPROVED	UNSPECIFIED TOLERANCES
△ X					L > 63
△ X					16 < L ≤ 63
△ X					4 < L ≤ 16
△ X					L ≤ 4
					ANGULAR
					± 5°

For and on behalf of
XKB INDUSTRIAL PRECISION CO., LIMITED
香港星坤工業精密有限公司

XKB INDUSTRIAL PRECISION CO., LIMITED

WEIGHT	1.0g
SHEET	1/1
REVISION	A0
SIZE:	A4
DATE:	
UNIT:	mm
VIEW:	
SCALE:	N/A
MODEL TYPE:	X3025WV-2*XXCN-LPSN
PART NO.:	
DWG NO.:	

PART NO	Material	Material(Pin)	Finish(Pin)	Mates With XKB Housing
X3025WV-2*XXCN-LPSN	LCP UL 94V-0	Brass	Tin-Plated	X3025H

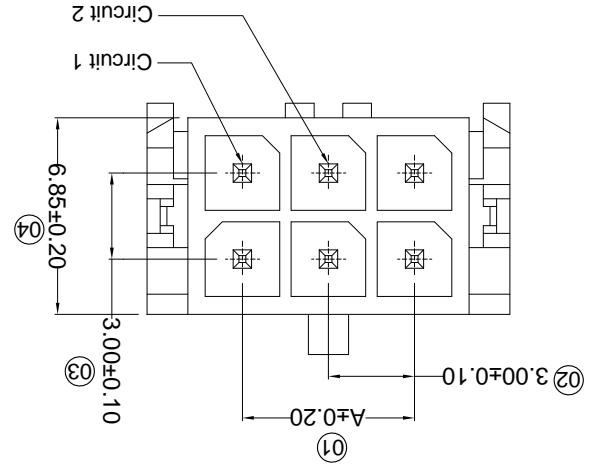
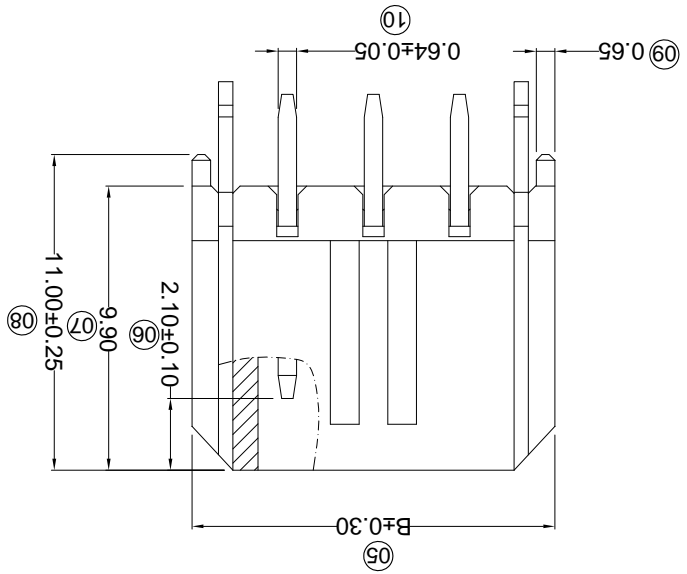
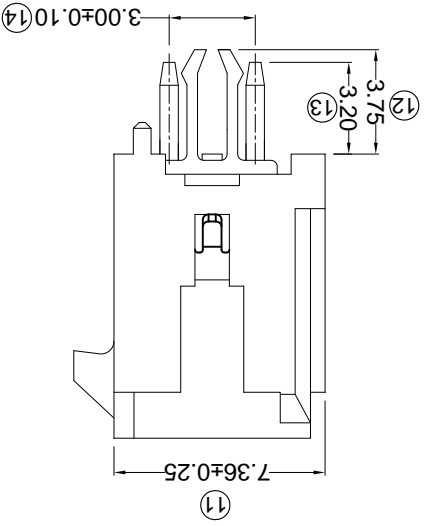
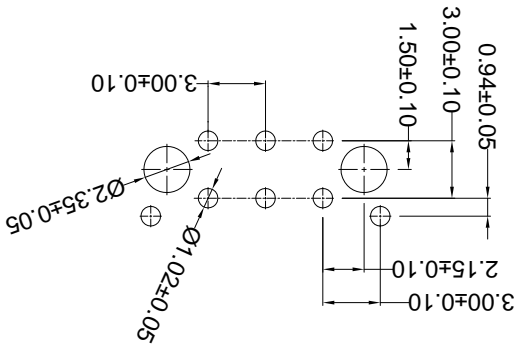
Poles	A	B
02	--	6.65
04	3.00	9.65
06	6.00	12.65
08	9.00	15.65
10	12.00	18.65
12	15.00	21.65
14	18.00	24.65
16	21.00	27.65
18	24.00	30.65
20	27.00	33.65
22	30.00	36.65
24	33.00	39.65

- ① Series No.
- ② Category:
- ③ W-water
- ④ Welding Board Angle:
- ⑤ V-180°
- ⑥ Welding Way:
- ⑦ Blank-DIP
- ⑧ Row No.-Pin No.
- ⑨ 2*XX-Double row
- ⑩ Special NO.
- ⑪ C-The harpoon N-without K the feet
- ⑫ Material:
- ⑬ LP-LCP 94V-0
- ⑭ Planting Category:
- ⑮ V**All Gold-Plated
- ⑯ *01-Gold Flash ; *02-2u" ; *03-3u" ; *05-5u"
- ⑰ *10-10u" ; *15-15u" ; *30-30u" ; *50-50u"
- ⑱ SN-Bright tin plating 70u"
- ⑲ SN1-Bright tin plating 120u"Min.
- ⑳ SW-Fog Tin plating
- ㉑ Color:
- ㉒ Blank-natural color

X3025 W V X-2*XX CN-LP SN XX
① ② ③ ④ ⑤ ⑥ ⑦ ⑧ ⑨

- Specifications :
- Voltage rating: 250V AC / DC
 - Current rating: 5A AC / DC
 - Withstanding voltage: 1000V AC/minute
 - Temperature range: -25°C~+85°C
 - Insulation resistance: ≥1000MΩ
 - Contact resistance: ≤10mΩ
 - After environmental testing: ≤20mΩ

P.C.B LAYOUT



For and on behalf of
KXB INDUSTRIAL PRECISION CO., LIMITED
 香港星坤工業精密有限公司

Authorized Signature(s)

MARK	DESCRIPTION	DATE	REVISED	APPROVED	UNSPECIFIED TOLERANCES
△ X					L > 63 ± 0.5
△ X					16 < L ≤ 63 ± 0.4
△ X					4 < L ≤ 16 ± 0.3
△ X					L ≤ 4 ± 0.2
					ANGULAR ± 5°

REVISIONS	DATE	REVISED	APPROVED	APPD	DATE	SIZE: A4

WEIGHT	SHEET	REVISION
1.0g	1/1	A0

Part No.	Material	Material(Pin)	Finish(Pin)	Tin-Plated	Part No.	Material	Material(Pin)	Finish(Pin)	Tin-Plated
X3025WV-2*XXH-LPSN	LCP UL 94V-0	Brass			X3025H				

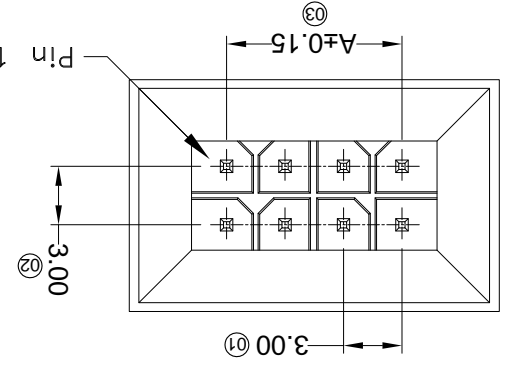
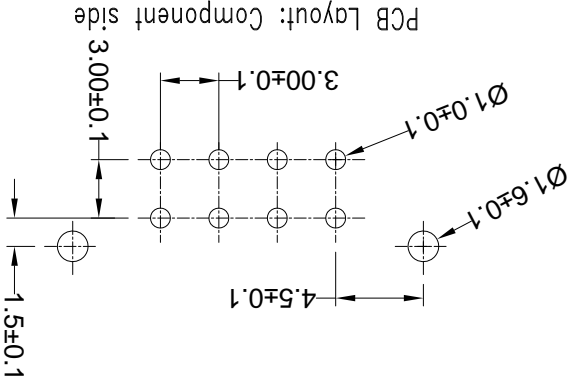
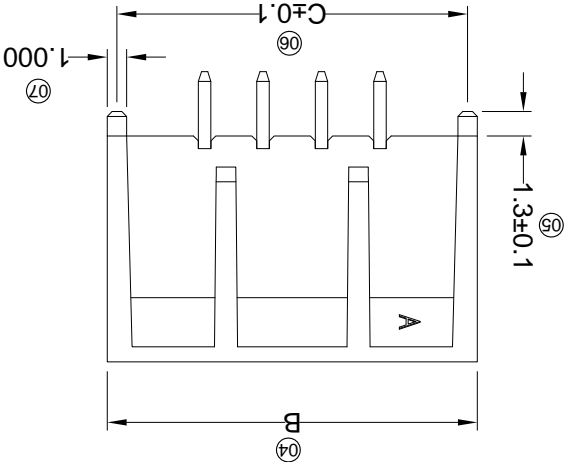
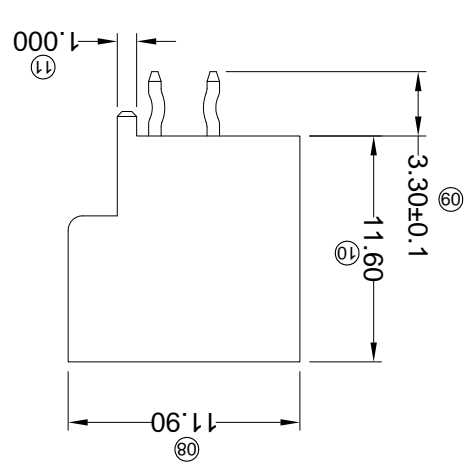
Poles	A	B	C
04	3.00	13.00	12.00
06	6.00	16.00	15.00
08	9.00	19.00	18.00
10	12.00	22.00	21.00
12	15.00	25.00	24.00
14	18.00	28.00	27.00
16	21.00	31.00	30.00
18	24.00	34.00	33.00
20	27.00	37.00	36.00
22	30.00	40.00	39.00
24	33.00	43.00	42.00

- ① Series No.
 ② Category: W-water
 ③ Welding Board Angle: V-180°
 ④ Welding Way: Blank-DIP
 ⑤ Row No.-Pin No.
 ⑥ 2*XX-Double row
 ⑦ Special NO.
 ⑧ H-Arrange ushering with positioning column
 ⑦ Material: LP-LCP 94V-0
 ⑧ Planting Category:
 V*:All Gold-Plated
 G*:Gold-Plated Contact
 *04-Gold Flash ; *02-2u" ; *03-3u" ; *05-5u"
 *10-10u" ; *15-15u" ; *30-30u" ; *50-50u"
 SN-Bright tin plating 70u"
 SN1-Bright tin plating 120u"Min. ;
 SW-Fog Tin plating
 Color: Blank-natural color

X3025W V X-2*XXH-LPSNXX

① ② ③ ④ ⑤ ⑥ ⑦ ⑧ ⑨

- Specifications :
- Voltage rating: 250V AC / DC
 - Current rating: 5A AC / DC
 - Withstanding voltage: 1000V AC/minute
 - Temperature range: -25°C~+85°C
 - Insulation resistance: ≥1000MΩ
 - Contact resistance: ≤10mΩ
 - After environmental testing: ≤20mΩ



REVISIONS
Authorized Signatures(s)

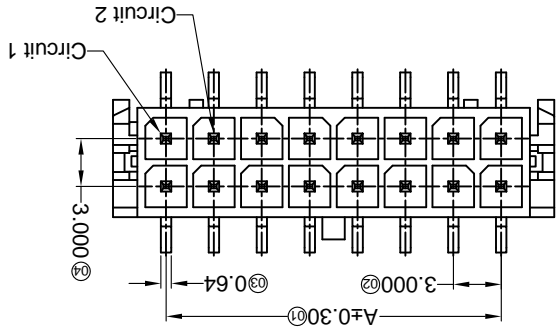
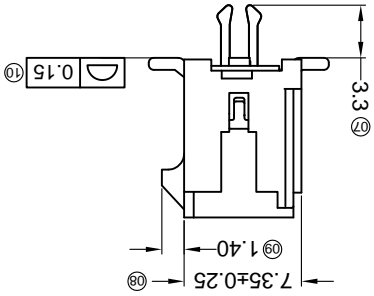
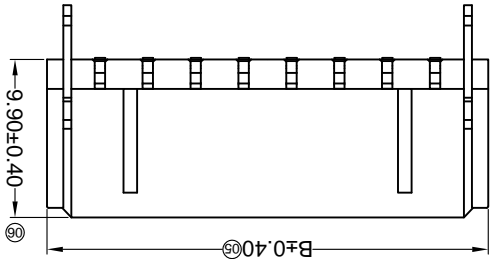
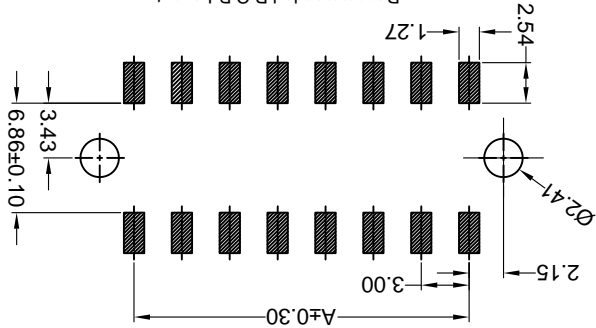
MARK	DESCRIPTION	DATE	REVISED	APPROVED	UNSPECIFIED TOLERANCES
△ X					L > 63 ± 0.5
△ X					16 < L ≤ 63 ± 0.4
△ X					4 < L ≤ 16 ± 0.3
△ X					L ≤ 4 ± 0.2
					ANGULAR ± 5°

For and on behalf of
KXB INDUSTRIAL PRECISION CO., LIMITED
香港星坤工業精密有限公司

KXB INDUSTRIAL PRECISION CO., LIMITED

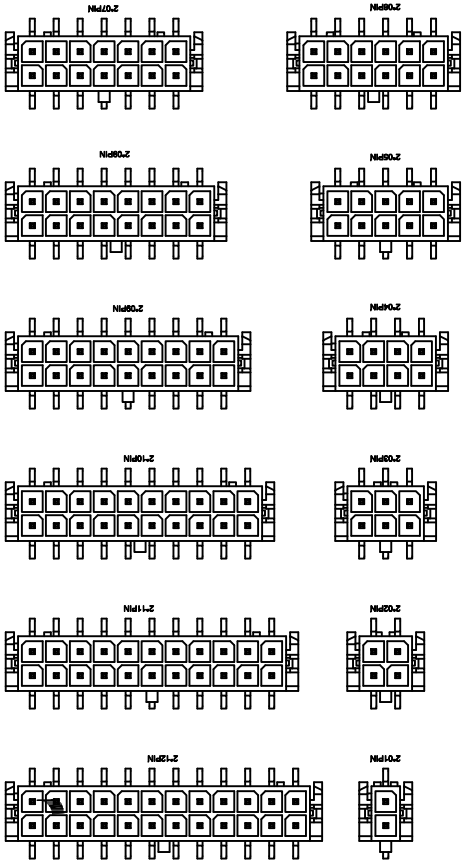
MODEL TYPE:	X3025WVS-2*XXC-LPXX
PART NO.:	
VIEW:	VIEW: ①
SCALE:	N/A
DATE:	
DWNSD	
CHKD	
APPD	
DATE:	
SIZE:	A4
UNIT:	mm
3.00 mm Crimp Style Connectors	
DWG NO.:	
WEIGHT	1.0g
SHEET	1/1
REVISION	A0

Recommended P.C.B Layout
General Tolerance±0.05



PART NO	Material	Material (Pn)	Finish (Pn)	Material (Pn)	Material (Pn)	Material (Pn)	Material (Pn)
X3025WVS-2*XXC-LPXX	LCP UL 94V-0	Brass	Tin-Plated	Material (Pn)	Material (Pn)	Material (Pn)	Material (Pn)
X3025WVS-2*XXC-LPXX	LCP UL 94V-0	Brass	Tin-Plated	Material (Pn)	Material (Pn)	Material (Pn)	Material (Pn)
X3025H		Brass	Tin-Plated	Material (Pn)	Material (Pn)	Material (Pn)	Material (Pn)

Poles	Dimensions(mm)	Dimensions(mm)
2*06	15.00	21.65
2*05	12.00	18.65
2*04	9.00	15.65
2*03	6.00	12.65
2*02	3.00	9.65
2*01	---	6.65
A	18.00	2*07
B	24.65	



- ① Series No.
- ② Category: W-water
- ③ Welding Board Angle: V- Straight 180°
- ④ Welding Way: S-SMT
- ⑤ Row No-Pin No.: 2*XX-2*01P-2*12P
- ⑥ Plug the Pin & Special No.: C-The Harpoon
- ⑦ Material: LP-LCP 94V-0
- ⑧ Plating Category:
- ⑨ SN-Bright tin plating: SW-Matte Tin plating
- ⑩ Color: Blank-Natural color

X3025 W V S-2*XX C-LP XX XX

- Specifications :
- Voltage rating: 250V AC / DC
- Current rating: 5A AC / DC
- Withstanding voltage: 1000V AC/minute
- Temperature range: -25°C~+85°C
- Insulation resistance: ≥1000MΩ
- Contact resistance: ≤10mΩ
- After environmental testing: ≤20mΩ

For and on behalf of
KXB INDUSTRIAL PRECISION CO., LIMITED
 香港星坤工業精密有限公司

MARK	DESCRIPTION	DATE	REVISED	APPROVED	UNSPECIFIED TOLERANCES
△ X					L > 63
△ X					16 < L ≤ 63
△ X					4 < L ≤ 16
					L ≤ 4
					ANGULAR
					± 5°

REVISIONS	DATE	REVISED	APPROVED	UNSPECIFIED TOLERANCES
				L > 63
				16 < L ≤ 63
				4 < L ≤ 16
				L ≤ 4
				ANGULAR
				± 5°

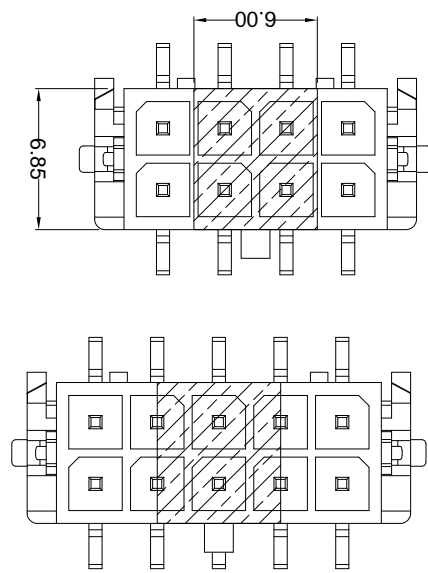
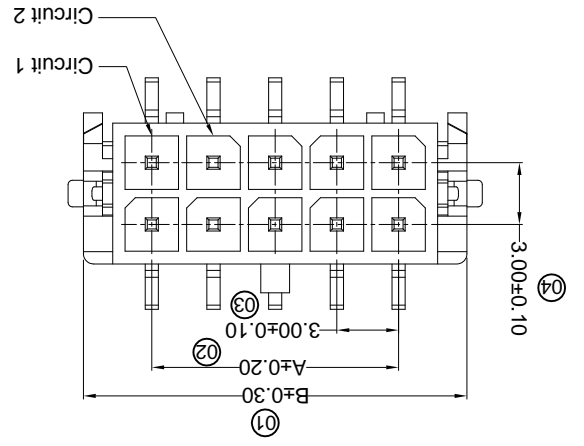
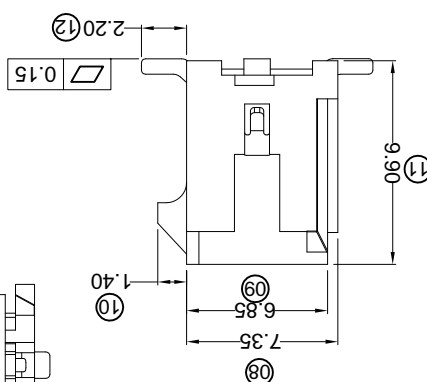
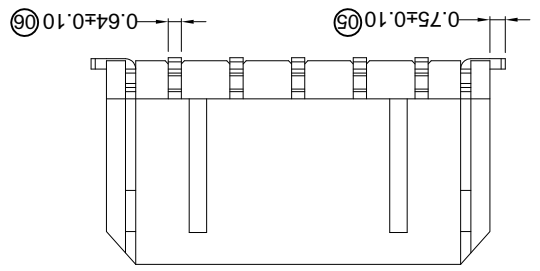
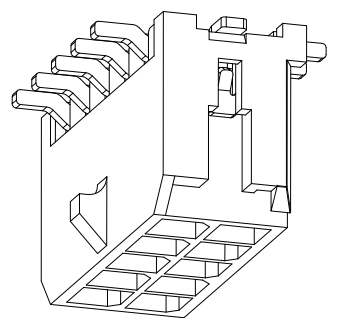
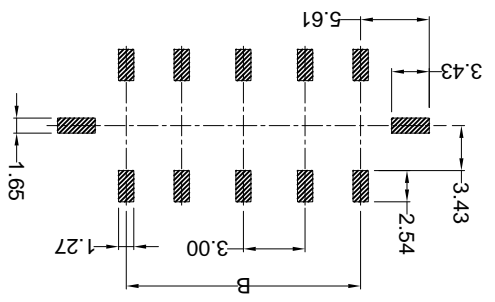
DATE	SCALE: N/A	MODEL TYPE: X3025WVS-2*XXD-LPSW

DATE	VIEW:	PART NO.: 3.00 mm Crimp Style Connectors

DATE	UNIT: mm	DWG NO.:

DATE	SIZE: A4	WEIGHT	SHEET	REVISION
		1.0g	1/1	A0

P.C.B. LAYOUT



Poles	Dimensions(mm)	Material	Material(Pin)	Finish(Pin)	(Solder Tabs)	Material	Material(Pin)	Finish(Pin)	(Solder Tabs)	Material	Material(Pin)	Finish(Pin)	(Solder Tabs)
2*06	15.00	Brass	Matte tin	Matte tin	Brass	Matte tin	Matte tin	Matte tin	Brass	Matte tin	Matte tin	Matte tin	Brass
2*05	12.00	Brass	Matte tin	Matte tin	Brass	Matte tin	Matte tin	Matte tin	Brass	Matte tin	Matte tin	Matte tin	Brass
2*04	9.00	Brass	Matte tin	Matte tin	Brass	Matte tin	Matte tin	Matte tin	Brass	Matte tin	Matte tin	Matte tin	Brass
2*03	6.00	Brass	Matte tin	Matte tin	Brass	Matte tin	Matte tin	Matte tin	Brass	Matte tin	Matte tin	Matte tin	Brass
2*02	3.00	Brass	Matte tin	Matte tin	Brass	Matte tin	Matte tin	Matte tin	Brass	Matte tin	Matte tin	Matte tin	Brass
2*01	---	Brass	Matte tin	Matte tin	Brass	Matte tin	Matte tin	Matte tin	Brass	Matte tin	Matte tin	Matte tin	Brass
	18.00	Brass	Matte tin	Matte tin	Brass	Matte tin	Matte tin	Matte tin	Brass	Matte tin	Matte tin	Matte tin	Brass
	24.65	Brass	Matte tin	Matte tin	Brass	Matte tin	Matte tin	Matte tin	Brass	Matte tin	Matte tin	Matte tin	Brass
	27.65	Brass	Matte tin	Matte tin	Brass	Matte tin	Matte tin	Matte tin	Brass	Matte tin	Matte tin	Matte tin	Brass
	30.65	Brass	Matte tin	Matte tin	Brass	Matte tin	Matte tin	Matte tin	Brass	Matte tin	Matte tin	Matte tin	Brass
	33.65	Brass	Matte tin	Matte tin	Brass	Matte tin	Matte tin	Matte tin	Brass	Matte tin	Matte tin	Matte tin	Brass
	36.65	Brass	Matte tin	Matte tin	Brass	Matte tin	Matte tin	Matte tin	Brass	Matte tin	Matte tin	Matte tin	Brass
	39.65	Brass	Matte tin	Matte tin	Brass	Matte tin	Matte tin	Matte tin	Brass	Matte tin	Matte tin	Matte tin	Brass

- ① Series No.
- ② Category: W-water
- ③ Weiding Board Angle: V- Stright 180°
- ④ Weiding Way: S-SMT
- ⑤ Row No.-Pin No.: 2*XX-2*01P-2*12P
- ⑥ Plug the Pin & Special No.: D-Solder Tabs
- ⑦ Material: LP-LCP 94V-0
- ⑧ Planting Category:
- ⑨ SN-Bright tin plating ; SW-Matte Tin plating
- ⑩ Color: Blank-Natural color

- Specifications :
- Voltage rating: 250V AC / DC
 - Current rating: 5A AC / DC
 - Withstanding voltage: 1000V AC/minute
 - Temperature range: -25°C~+85°C
 - Insulation resistance: ≥1000MΩ
 - Contact resistance: ≤10mΩ
 - After environmental testing: ≤20mΩ

X3025 W V S-2*XX D-LP XX XX

- ①
- ②
- ③
- ④
- ⑤
- ⑥
- ⑦
- ⑧
- ⑨
- ⑩
- ⑪
- ⑫

X-ON Electronics

Largest Supplier of Electrical and Electronic Components

Click to view similar products for [Headers & Wire Housings](#) category:

Click to view products by [XKB](#) manufacturer:

Other Similar products are found below :

[95000-104TRLF](#) [10135584-644402LF](#) [DF62W-EP2022PCA](#) [95000-106TRLF](#) [DF62W-2022SCA](#) [DF62W-EP2022PC](#) [2203348](#) [DF62W-2022SC](#) [1084018](#) [1029039](#) [1084017](#) [802-10-012-10-002000](#) [1112640](#) [1112639](#) [891-007-9SS-BST1T](#) [000-34000](#) [0008550134](#) [0009482033](#) [0009507031](#) [57102-F02-18ULF](#) [57102-S06-03LF](#) [57202-S52-04LF](#) [PCN6-15S-2.5E](#) [0039019024](#) [58102-G61-06LF](#) [582553-1](#) [0009485154](#) [0009508121](#) [0022285053](#) [0050291907](#) [018731A](#) [LY20-4P-DT1-P1E-BR](#) [02.125.8002.8](#) [60101931](#) [60598-1 \(Cut Strip\)](#) [M1625-3R/100](#) [61062-3](#) [61082-181009](#) [CSU011177004](#) [636-1427](#) [638009-1](#) [641938-9](#) [641991-4](#) [644168-1](#) [644827-2](#) [647662-1](#) [65039-019ELF](#) [65692-001LF](#) [65781-018](#) [65781-047](#)