

For and on behalf of
XKB INDUSTRIAL PRECISION CO., LIMITED
 香港星坤工業精密有限公司

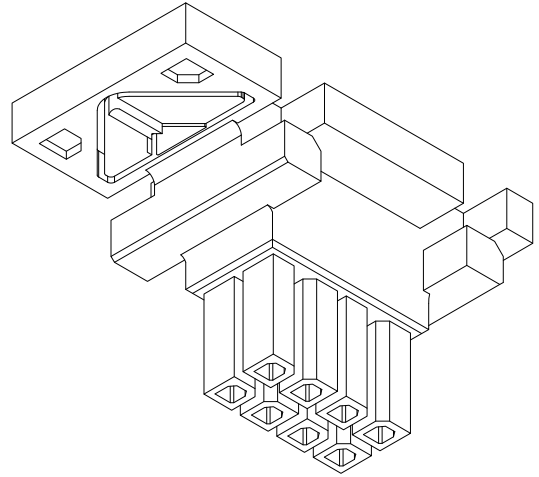
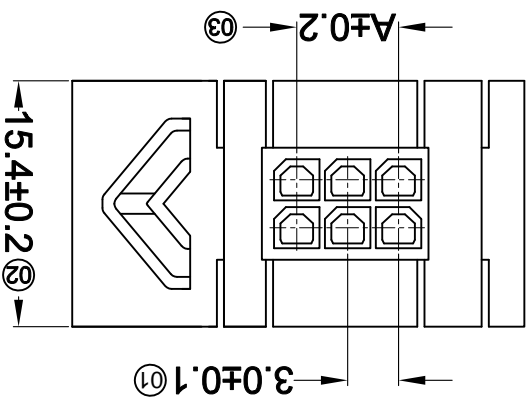
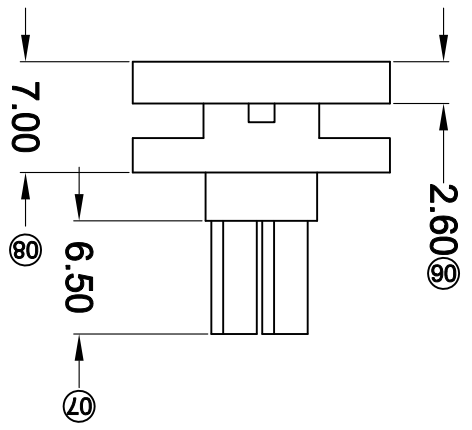
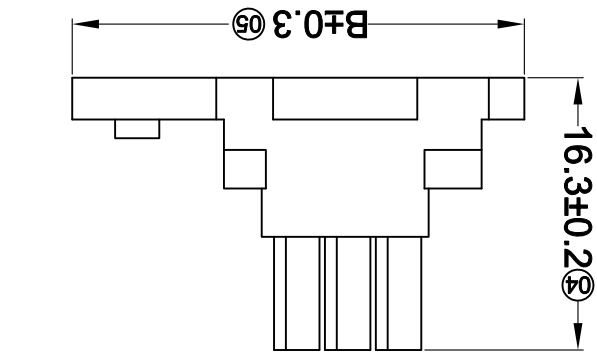
Authorized Signature(s)

MARK	DESCRIPTION	DATE	REVISED	APPROVED	UNSPECIFIED TOLERANCES
△ X					L > 63 ±0.5
△ X					16 < L ≤ 63 ±0.4
△ X					4 < L ≤ 16 ±0.3
					L ≤ 4 ±0.2
					ANGULAR ±5°

REVISION	SHEET	WEIGHT	SIZE: A4
A0	1/1	1.0g	

DATE	SCALE: N/A	VIEW:	UNIT: mm	DATE	DATE	DATE
DSND						
DWN						
CHKD						
APPD						

MODEL TYPE:	PART NO.:	DWG NO.:
X3025HF-2*XXWS-N2		
	3.00 mm Crimp Style Connectors	

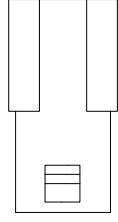
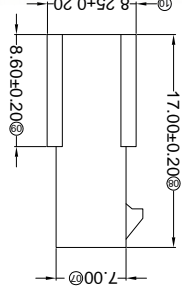
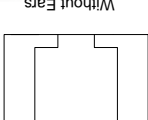
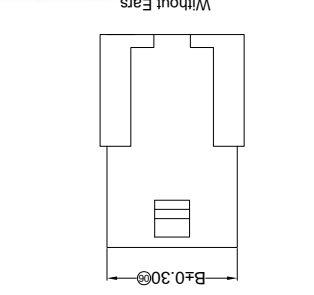
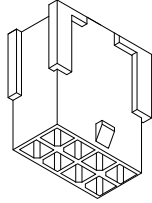
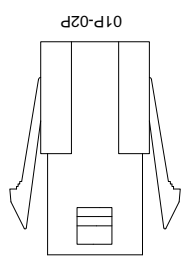
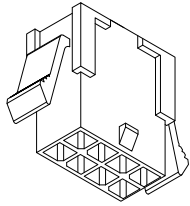
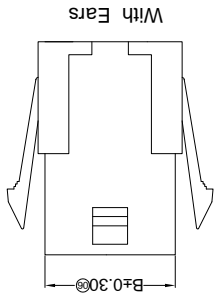
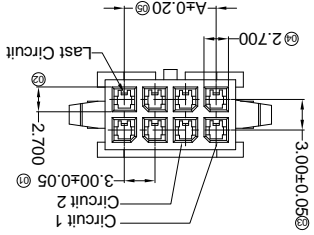


Poles	Dimensions(mm)		Poles	Dimensions(mm)	
	A	B		A	B
2*02	3.00	2*08	2*02	21.00	42.85
2*03	6.00	2*09	2*03	24.00	45.85
2*04	9.00	2*10	2*04	27.00	48.85
2*05	12.00	2*11	2*05	30.00	51.85
2*06	15.00	2*12	2*06	33.00	54.85
2*07	18.00		2*07	39.85	

- ① Series No.
- ② Category: H-HSG
- ③ Welding Board Angle: F-Female HSG
- ④ Row No.-Pin No.: 2*XX-2*02P~2*12P
- ⑤ Plug the Pin & special No.: WS-With Base
- ⑥ Material: N2-PA66 94V-2;
- ⑦ Color: Blank-natural color

X3025 H F-2*XX WS-N2 XX

- Specifications :
- Voltage rating: 250V AC / DC
 - Current rating: 5A AC / DC
 - Withstanding voltage: 1500V AC/minute
 - Temperature range: -25°C~+85°C
 - Insulation resistance: ≥1000MΩ
 - Contact resistance: ≤10mΩ
 - After environmental testing: ≤17mΩ



01P-02P

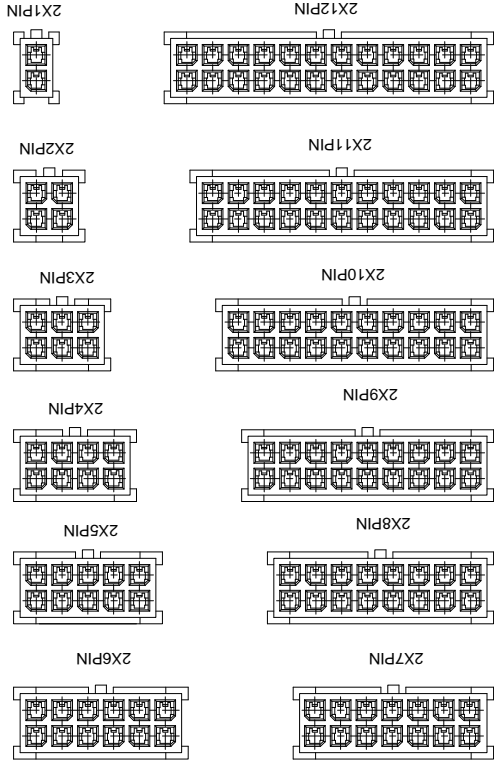
For and on behalf of
XKB INDUSTRIAL PRECISION CO., LIMITED
 香港星坤工業精密有限公司

MARK	DESCRIPTION	DATE	REVISED	APPROVED	UNSPECIFIED TOLERANCES
△ X					L > 63 ±0.5
△ X					16 < L ≤ 63 ±0.4
△ X					4 < L ≤ 16 ±0.3
△ X					L ≤ 4 ±0.2
					ANGULAR ±5°

REVISIONS
 (Authorized Signatures)

PART NO	Material	Suitable SWB Terminal	Mates With XKB Housing	Note
X3025HF-2*XXG-N2	Nylon 66 94V-2	X3025TM	X3025HM	With Ears
X3025HF-2*XXI-N2	Nylon 66 94V-2	X3025TM	X3025HM	Without Ears

Poles	Dimensions(mm)		Poles		Dimensions(mm)	
	A	B	A	B	A	B
2*01	18.00	22.00	2*07	4.00	2*07	18.00
2*02	3.00	7.00	2*08	7.00	2*08	21.00
2*03	6.00	10.00	2*09	10.00	2*09	24.00
2*04	9.00	13.00	2*10	13.00	2*10	27.00
2*05	12.00	16.00	2*11	16.00	2*11	30.00
2*06	15.00	19.00	2*12	19.00	2*12	33.00



- Specifications :**
- Voltage rating: 250V AC / DC
 - Current rating: 5A AC / DC
 - Withstanding voltage: 1000V AC/minute
 - Temperature range: -25°C~+85°C
 - Insulation resistance: ≥1000MΩ
 - Contact resistance: ≤10mΩ
 - After environmental testing: ≤20mΩ
- Series No.**
 ① X3025 H F-2*XX XX-N2 XX
 ② ③ ④ ⑤ ⑥ ⑦
- ① Series No.
 ② Category: H-HSG
 ③ Welding Board Angle: F-Female HSG
 ④ Row No.-Pin No.: 2*XX-2*01P-2*12P
 ⑤ Plug the Pin & special No.: I-Without Ears
 G-With Ears
 ⑥ Material: N2-PA66 94V-2;
 ⑦ Color: Blank-Natural Color

DSND	DATE	SCALE: N/A	MODEL TYPE: X3025HF-2*XXX-N2
DWN	DATE <td>VIEW: </td> <td>PART NO.:</td>	VIEW:	PART NO.:
CHKD	DATE <td>UNIT: mm</td> <td>3.00 mm Crimp Style Connectors</td>	UNIT: mm	3.00 mm Crimp Style Connectors
APPD	DATE <td>SIZE: A4</td> <td>DWG NO.:</td>	SIZE: A4	DWG NO.:

XKB INDUSTRIAL PRECISION CO., LIMITED

WEIGHT	SHEET	REVISION
1.0g	1/1	A0

For and on behalf of
XKB INDUSTRIAL PRECISION CO., LIMITED
 香港星坤工業精密有限公司

MARK	DESCRIPTION	DATE	REVISIONS	UNSPECIFIED TOLERANCES
△ X				L > 63 ± 0.5
△ X				16 > L ≤ 63 ± 0.4
△ X				4 < L ≤ 16 ± 0.3
△ X				L ≤ 4 ± 0.2
				ANGULAR ± 5°

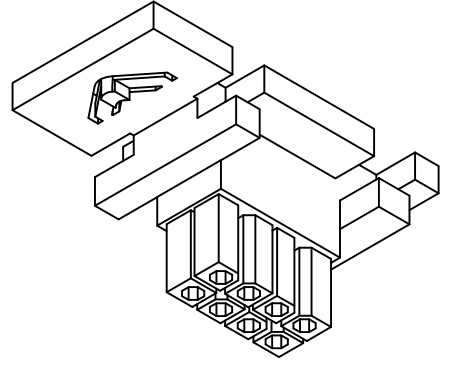
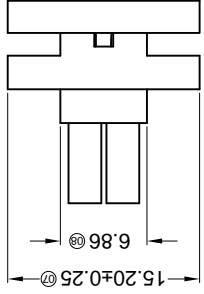
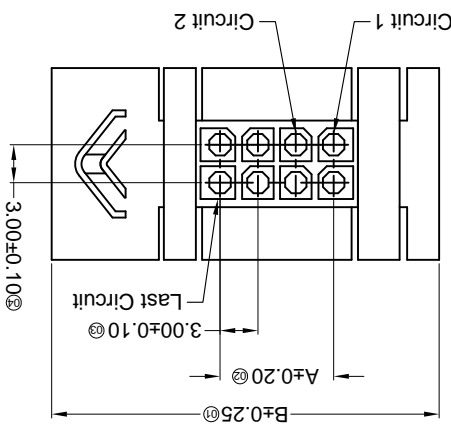
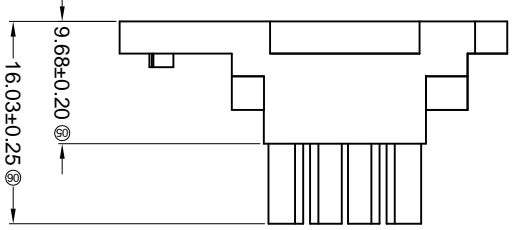
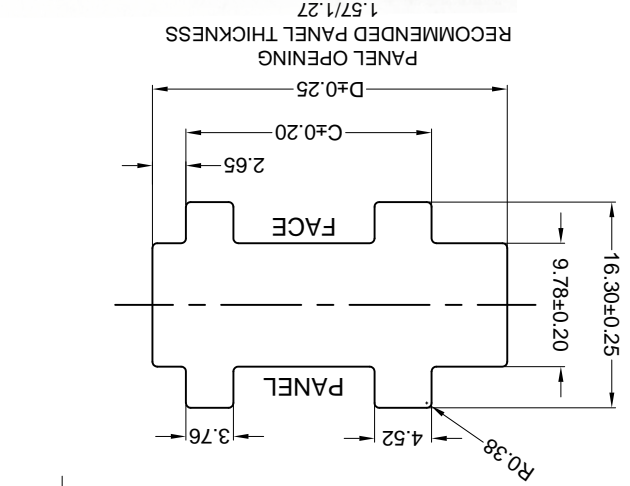
REVISIONS	DATE	REVISOR	DESCRIPTION

DATE	SCALE: N/A	MODEL TYPE: X3025HM-2*XXWS-N2

DATE	VIEW:	PART NO.: 3.00 mm Crimp Style Connectors

DATE	UNIT: mm	DWG NO.:

DATE	SIZE: A4	WEIGHT: 1.0g



PART NO	Material	Suitable SWB Terminal	Mates With XKB Wafer
X3025HM-2*XXWS-N2	Nylon 66 94V-2	X3025TF	X3025W

Poles	A	B	C	D
2*02	3.00	24.60	13.46	22.10
2*03	6.00	27.70	16.46	25.10
2*04	9.00	30.70	19.46	28.10
2*05	12.00	33.80	22.46	31.10
2*06	15.00	36.80	25.46	34.10
2*07	18.00	39.90	28.46	37.10
2*08	21.00	42.90	31.46	40.10
2*09	24.00	46.00	34.46	43.10
2*10	27.00	49.00	37.46	46.10
2*11	30.00	51.80	40.46	49.10
2*12	33.00	54.90	43.46	52.10

- ① Series No.
- ② Category: H-HSG
- ③ Welding Board Angle: M-Male HSG
- ④ Row No.-Pin No.: 2*XX-2*02P~2*10P
- ⑤ Plug the Pin & special No.: WS-With Base
- ⑥ Material: N2-PA66 94V-2;
- ⑦ Color: Blank-natural color Black

X3025 H M-2*XX WS-N2 XX

- Specifications :
- Voltage rating: 250V AC / DC
- Current rating: 5A AC / DC
- Withstanding voltage: 1500V AC/minute
- Temperature range: -25°C~+85°C
- Insulation resistance: ≥1000MΩ
- Contact resistance: ≤10mΩ
- After environmental testing: ≤20mΩ

Authorized Signatures

For and on behalf of
KXB INDUSTRIAL PRECISION CO., LIMITED
 香港星坤工業精密有限公司

MARK	DESCRIPTION	DATE	REVISED	APPROVED	UNSPECIFIED TOLERANCES
△ X					L > 63
△ X					16 < L ≤ 63
△ X					4 < L ≤ 16
					L ≤ 4
					ANGULAR

REVISIONS	DATE	REVISED	APPROVED	UNSPECIFIED TOLERANCES
				L > 63
				16 < L ≤ 63
				4 < L ≤ 16
				L ≤ 4
				ANGULAR

DATE	SCALE: N/A	MODEL TYPE: X3025HM-2*XX-N2
DNSD		
DWN		
CHKD		
APPD		

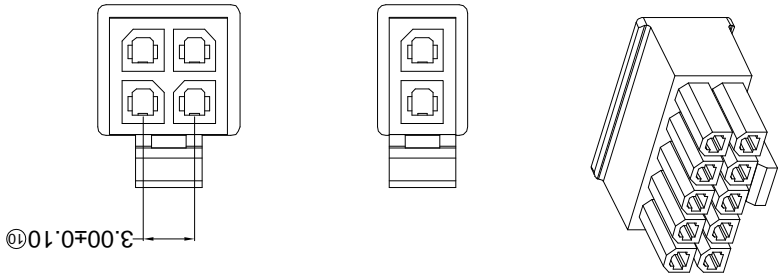
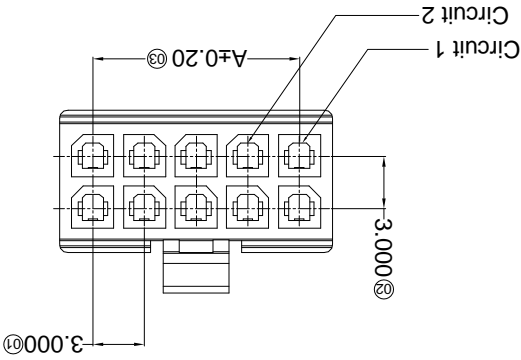
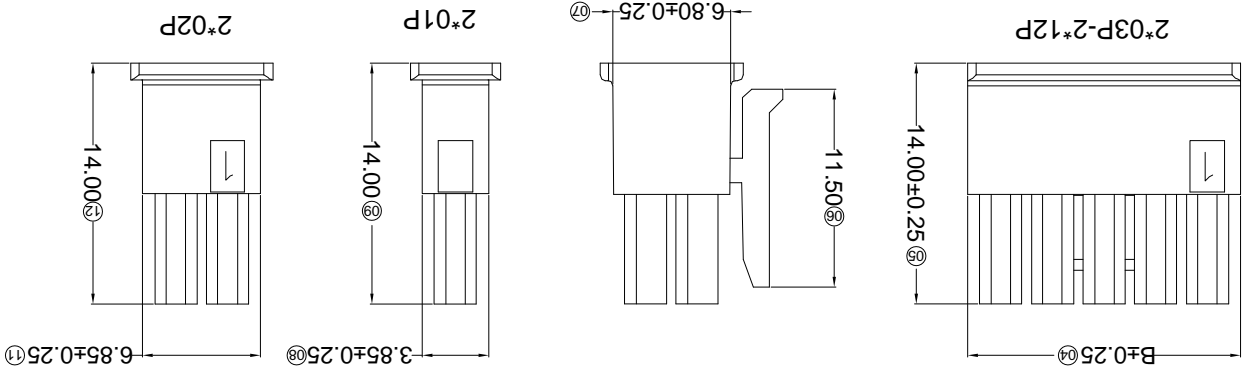
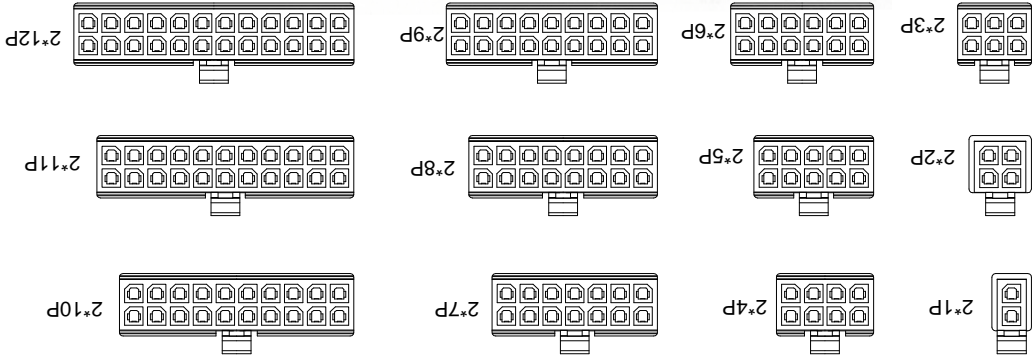
DATE	VIEW:	PART NO.: 3.00 mm Crimp Style Connectors

DATE	SIZE: A4	WEIGHT: 1.0g

REVISION	SHEET	8

PART NO	Material	Suitable SWB Terminal	Mates With XKB Water
X3025HM-2*XX-N2	Nylon 66 94V-2	X3025TF	X3025W

Poles	Dimensions(mm)		Poles	Dimensions(mm)	
	A	B		A	B
2*01	2*07	18.00	2*01	2*07	21.85
2*02	3.00	24.00	2*02	2*08	24.85
2*03	6.00	27.85	2*03	2*09	27.85
2*04	9.00	30.85	2*04	2*10	30.85
2*05	12.00	33.85	2*05	2*11	33.85
2*06	15.00	36.85	2*06	2*12	36.85



- Specifications :
- Voltage rating: 250V AC / DC
 - Current rating: 5A AC / DC
 - Withstanding voltage: 1000V AC/minute
 - Temperature range: -25°C~+85°C
 - Insulation resistance: ≥1000MΩ
 - Contact resistance: ≤10mΩ
 - After environmental testing: ≤20mΩ
- ① Series No.
 ② Category: H-HSG
 ③ Welding Board Angle: M-Male HSG
 ④ Row No.-Pin No.: 2*XX-2*01P~2*12P
 ⑤ Plug the Pin & special No.
 ⑥ Material: N2-PA66 94V-2;
 ⑦ Color: Blank-Natural Color
- X3025 H M-2*XX XX-N2 XX
- ① ② ③ ④ ⑤ ⑥ ⑦

For and on behalf of
KXB INDUSTRIAL PRECISION CO., LIMITED
 香港星坤工業精密有限公司

MARK	DESCRIPTION	DATE	REVISIONS	UNSPECIFIED TOLERANCES
△ X				ANGULAR ±5°
△ X				L ≤ 4 ±0.2
△ X				4 < L ≤ 16 ±0.3
				16 < L ≤ 63 ±0.4
				L > 63 ±0.5

REVISIONS	DATE	APPROVED	REVISED	DESCRIPTION

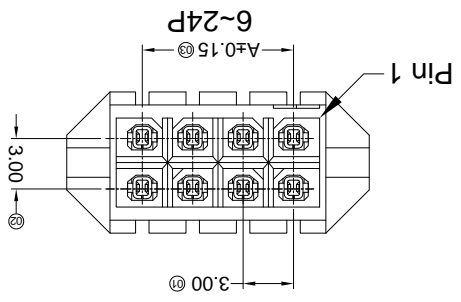
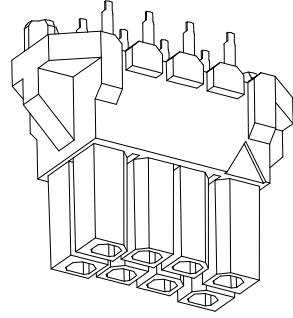
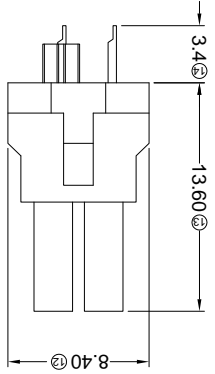
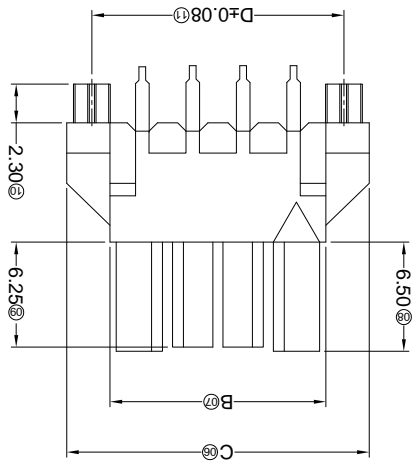
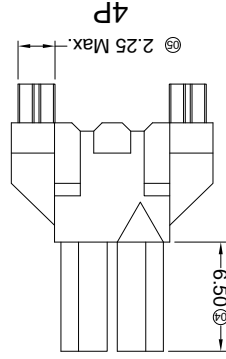
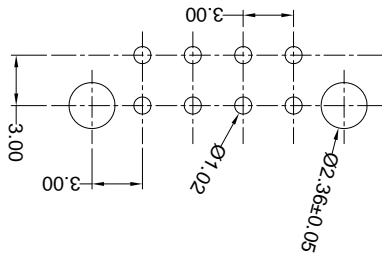
DATE	VIEW	SCALE	MODEL TYPE
	VIEW:	SCALE: N/A	X3025HV-2*XX-LPSN

DATE	DATE	DATE	DATE

DATE	UNIT	SIZE
	UNIT: mm	SIZE: A4

WEIGHT	SHEET	REVISION
1.0g	1/1	A0

Recommended P.C.B Layout



Part No.	Material	Material(Pin)	Finish(Pin)	Mates With
X3025HV-2*XX-LPSN	LCP UL 94V-0	Brass	Tin-Plated	X3025HW or 3025H Mates With KXB Housing

Poles	A	B	C	D
2*02	3.00	6.85	12.00	9.00
2*03	6.00	9.85	15.00	12.00
2*04	9.00	12.85	18.00	15.00
2*05	12.00	15.85	21.00	18.00
2*06	15.00	18.85	24.00	21.00
2*07	18.00	21.85	27.00	24.00
2*08	21.00	24.85	30.00	27.00
2*09	24.00	27.85	33.00	30.00
2*10	27.00	30.85	36.00	33.00
2*11	30.00	33.85	39.00	36.00
2*12	33.00	36.85	42.00	39.00

- ① Series No.
- ② Category: H-HSG
- ③ Welding Board Angle: BOARD-IN: V-180°
- ④ Row No.-Pin No.: 2*XX-2*02P~2*12P
- ⑤ Plug the Pin & special No.:
- ⑥ Material: LP-LCP 94V-0;
- ⑦ Plating Category: SN-Bright tin plating
- ⑧ Color: Blank-Natural Color

X3025 H V-2*XX LP SN XX

- Specifications:
- Voltage rating: 250V AC / DC
 - Current rating: 5A AC / DC
 - Withstanding voltage: 1000V AC/minute
 - Temperature range: -25°C~+85°C
 - Insulation resistance: ≥1000MΩ
 - Contact resistance: ≤10mΩ
 - After environmental testing: ≤20mΩ

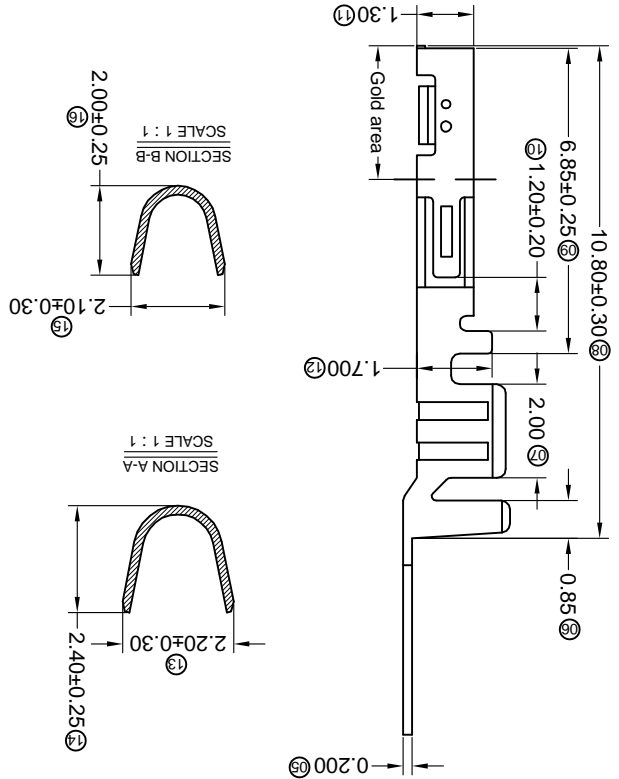
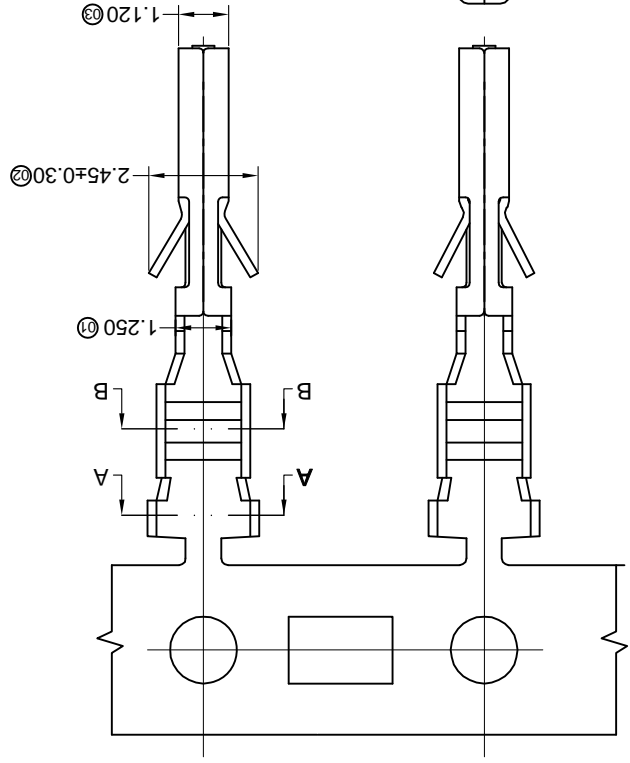
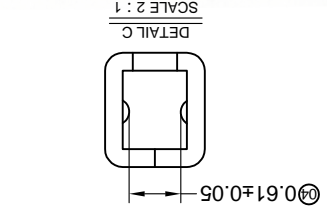
For and on behalf of
XKB INDUSTRIAL PRECISION CO., LIMITED
 香港星坤工業精密有限公司

REVISIONS
 Authorized Signature(s)

MARK	DESCRIPTION	DATE	REVISED	APPROVED	UNSPECIFIED TOLERANCES
△ X					L > 63 ± 0.5
△ X					16 > L ≤ 63 ± 0.4
△ X					4 < L ≤ 16 ± 0.3
△ X					L ≤ 4 ± 0.2
					ANGULAR ± 5°

DATE	DATE	DATE	DATE	DATE	DATE	DATE	DATE
DNSD	DWN	CHKD	APPD				
SCALE: N/A	VIEW:	UNIT: mm	SIZE: A4				
MODEL TYPE: X3025TF-PXXX	PART NO.:	3.00 mm Crimp Style Connectors	DWG NO.:				
WEIGHT: 1.0g	SHEET: 1/1	REVISION: A0					

PART NO	Material	Wire Range	Insulation O.D.	Finish	Used in XKB Housing
X3025TF-PG30	Phosphor Bronze	AWG#20-24	1.85mm(Max)	Stamping Before Plating:30~50u" Ni;Contact Area Gold:30u" Min.	X3025HM
X3025TF-PG15				Stamping Before Plating:30~50u" Ni;Contact Area Gold:15u" Min.	
X3025TF-PG01				Stamping Before Plating:30~50u" Ni;Contact Area Gold Flash	
X3025TF-PSN				Stamping Before Plating:30~50u" Ni;70~120u" Sn	



X3025 T F-P XX X-X
 ①① Series Number
 ①② Category: T-terminal
 ①③ Shape: F-Female Terminal
 ①④ Material: P-Phosphor bronze
 ①⑤ Plating style:
 ①⑥ G-Gold-Plated Contact
 *01-Gold Flash *15-15u" *30-30u"
 SN-Bright tin plating 70-120u"
 ①⑦ Plating method:
 Blank-Stamping before plating
 ①⑧ Mold No./Mark/Special No.

- **Specifications :**
- Voltage rating: 250V AC / DC
 - Current rating: 5A AC / DC
 - Withstanding voltage: 1000V AC/minute
 - Temperature range: -40°C~+85°C
 - Insulation resistance: ≥1000MΩ
 - Contact resistance: ≤10mΩ
 - After environmental testing: ≤20mΩ

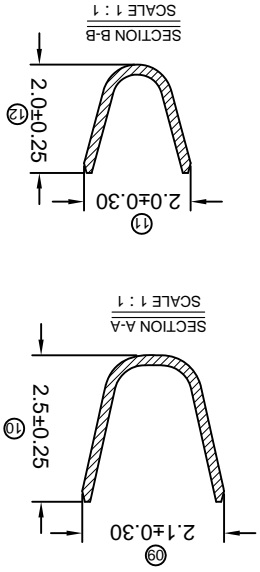
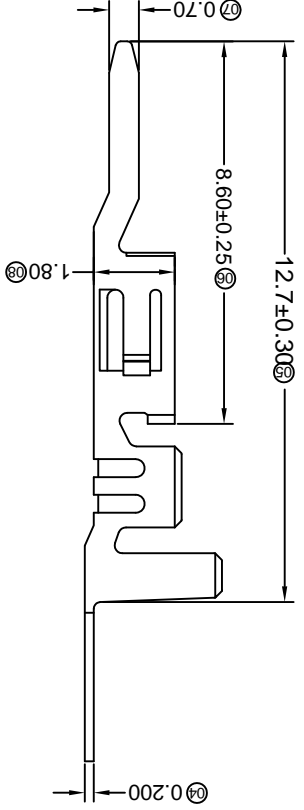
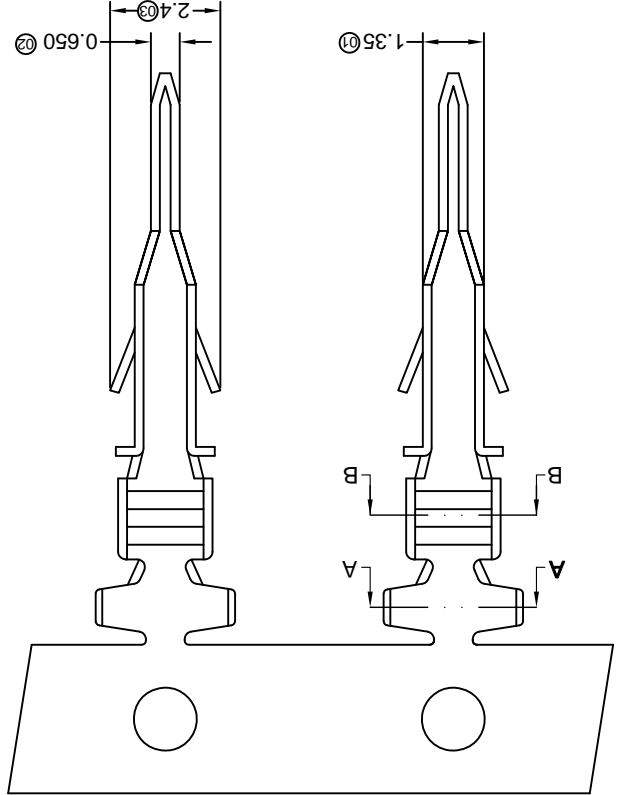
REVISIONS
Authorized Signature(s)

For and on behalf of
XKB INDUSTRIAL PRECISION CO., LIMITED
香港星坤工業精密有限公司

MARK	DESCRIPTION	DATE	REVISED	APPROVED	UNSPECIFIED TOLERANCES
△ X					L > 63
△ X					16 > L ≤ 63
△ X					4 < L ≤ 16
					L ≤ 4
					ANGULAR
					± 5°

DATE	SCALE: N/A	MODEL TYPE: X3025TM-PXX
DATE	VIEW:	PART NO.:
DATE	UNIT: mm	DWG NO.:
DATE	SIZE: A4	REVISION
DATE		SHEET
DATE		1/1
DATE		WEIGHT
DATE		1.0g

PART NO	Material	Wire Range	Insulation O.D.	Finish
X3025TM-PSN	Phosphor Bronze AWG#20-24	1.85mm(Max)		Stamping Before Plating:30u" Ni;70u" Sn
X3025TM-PG01				Stamping Before Plating:30u" Ni>Contact Area Gold Flash
X3025TM-PG15				Stamping Before Plating:30u" Ni>Contact Area Gold:15u" Min.
X3025TM-PG30				Stamping Before Plating:30u" Ni>Contact Area Gold:30u" Min.



- Specifications :**
- Voltage rating: 250V AC / DC
 - Current rating: 5A AC / DC
 - Withstanding voltage: 1000V AC/minute
 - Temperature range: -25°C~+85°C
 - Insulation resistance: ≥1000MΩ
 - Contact resistance: ≤10mΩ
 - After environmental testing: ≤20mΩ
- X3025 T-M-P XX X-X**
- ① Series Number
 - ② Category: T-terminal
 - ③ Shape: M-Male Terminal
 - ④ Material: P-Phosphor bronze
 - ⑤ Plating style: G-Gold-Plated Contact
 - ⑥ SN-Bright tin plating 70u"
 - ⑦ *01-Gold Flash *15-15u" *30-30u"
 - ⑧ Plating method: Blank-Stamping before plating
 - ⑨ Mold No./Mark/Special No.

F

E

D

C

B

A

F

E

D

C

B

A

8

7

6

5

4

3

2

1

8

7

6

5

4

3

2

1

For and on behalf of

KKB INDUSTRIAL PRECISION CO., LIMITED

香港星洲工業精密有限公司

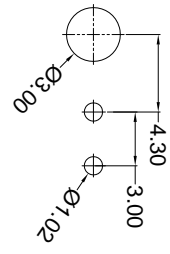
REVISIONS

MARK	DESCRIPTION	DATE	REVISED	APPROVED	UNSPECIFIED TOLERANCES
△ X					L > 63 ± 0.5
△ X					16 > L ≤ 63 ± 0.4
△ X					4 < L ≤ 16 ± 0.3
△ X					L ≤ 4 ± 0.2
					ANGULAR ± 5°

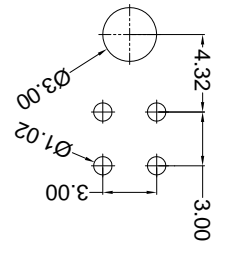
KKB INDUSTRIAL PRECISION CO., LIMITED

DATE	DATE	DATE	DATE	DATE	DATE
DNSD	DWN	CHKD	APPD		
SCALE: N/A	VIEW:	UNIT: mm	SIZE: A4		
MODEL TYPE: X3025WR-2*XX-N0XXX	PART NO.:	3.00 mm Crimp Style Connectors			
		DWG NO.:			
				WEIGHT	1.0g
				SHEET	1/1
				REVISION	A0

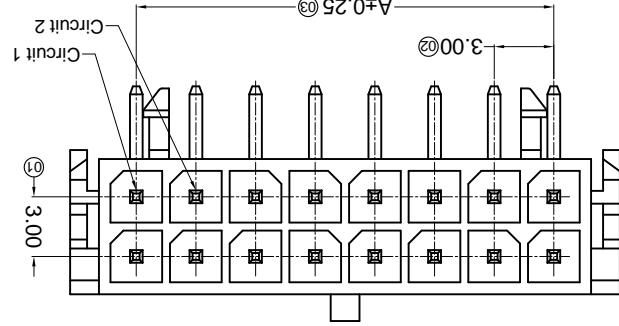
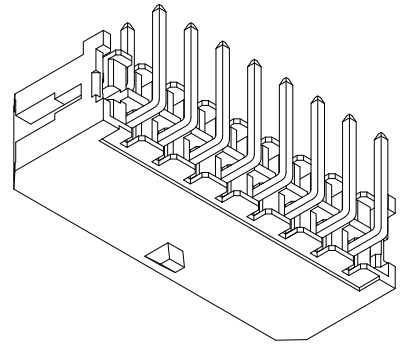
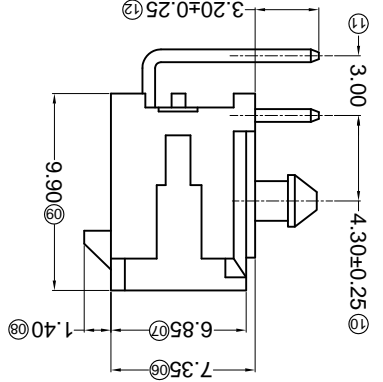
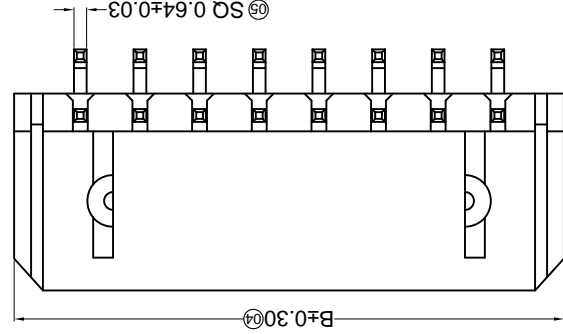
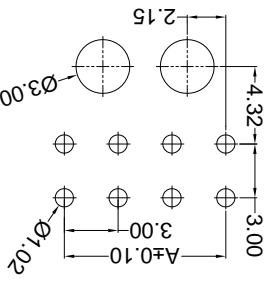
2P P.C.B LAYOUT



4P-6P P.C.B LAYOUT



8P-24P P.C.B LAYOUT



Part No.	Material	Material(Pin)	Finish(Pin)	Mates With KKB Housing
X3025WR-2*XX-N0S0N	Nylon 66 UL 94V-0	Brass	Tin-Plated	X3025H
X3025WR-2*XX-N0G01	Nylon 66 UL 94V-0	Brass	Contact Gold	

Scale 1:3

Dimensions (mm)	A	B
2*12	33.00	39.65
2*11	30.00	36.65
2*10	27.00	33.65
2*09	24.00	30.65
2*08	21.00	27.65
2*07	18.00	24.65
2*06	15.00	21.65
2*05	12.00	18.65
2*04	9.00	15.65
2*03	6.00	12.65
2*02	3.00	9.65
2*01	---	6.65

- ① Series No.
- ② Category: W-water
- ③ Welding Board Angle: R-90°
- ④ Welding Way: Blank-DIP
- ⑤ Row No.-Pin No.: 2*XX-2*01P-2*12P
- ⑥ Special NO.:
- ⑦ Material: N0-PA66 94V-0
- ⑧ Plating Category: G01-Contact Gold Flash;
- ⑨ Color: Blank-natural color

- Specifications:
- Voltage rating: 250V AC / DC
- Current rating: 5A AC / DC
- Withstanding voltage: 1000V AC/minute
- Temperature range: -25°C~+85°C
- Insulation resistance: ≥1000MΩ
- Contact resistance: ≤10mΩ
- After environmental testing: ≤20mΩ

REVISIONS
Authorized Signature(s)

For and on behalf of
XKB INDUSTRIAL PRECISION CO., LIMITED
香港星坤工業精密有限公司

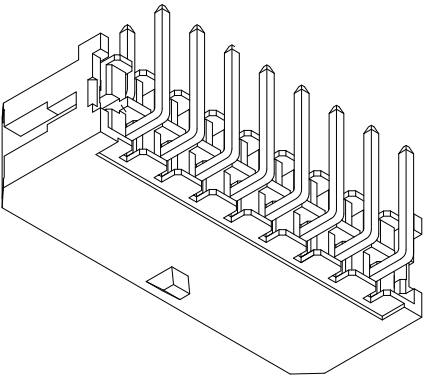
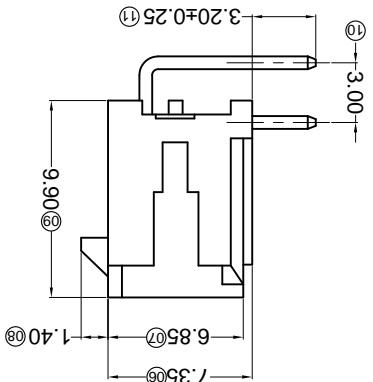
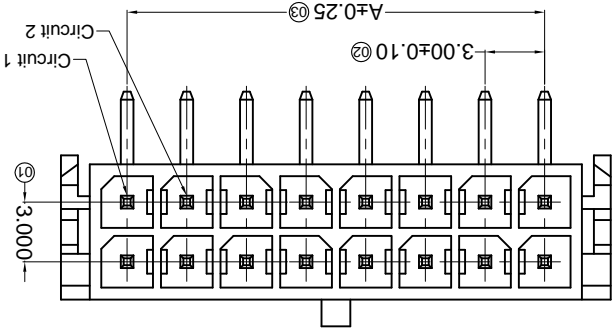
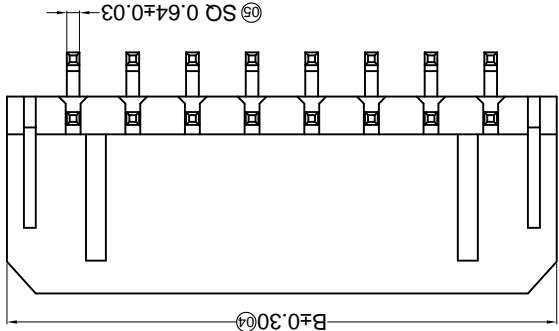
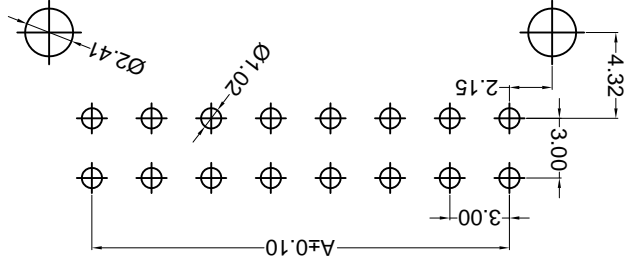
MARK	DESCRIPTION	DATE	REVISED	APPROVED	UNSPECIFIED TOLERANCES
△ X					L > 63 ± 0.5
△ X					16 < L ≤ 63 ± 0.4
△ X					4 < L ≤ 16 ± 0.3
					L ≤ 4 ± 0.2
					ANGULAR ± 5°

MODEL TYPE	SCALE	DATE	DATE	DATE	APPD	CHKD	SIZE
X3025WR-2*XXB-XXSN	N/A						A4
PART NO.:	VIEW:	DATE	DATE	DATE			UNIT: mm
300 mm Crimp Style Connectors							DWG NO.:
WEIGHT	SHEET	REVISION					
1.0g	1/1	A0					

Poles	Dimensions (mm)		Poles		Dimensions (mm)	
	A	B	A	B	A	B
2*01	---	6.65	2*07	18.00	24.65	24.65
2*02	3.00	9.65	2*08	21.00	27.65	27.65
2*03	6.00	12.65	2*09	24.00	30.65	30.65
2*04	9.00	15.65	2*10	27.00	33.65	33.65
2*05	12.00	18.65	2*11	30.00	36.65	36.65
2*06	15.00	21.65	2*12	33.00	39.65	39.65

Part No.	Material	Material(Pin)	Finish(Pin)	Mates With XKB Housing
X3025WR-2*XXB-L-PSN	LCP UL 94V-0	Brass	Tin-Plated	X3025H
X3025WR-2*XXB-46SN	Nylon 46 UL 94V-0			
X3025WR-2*XXB-N0SN	Nylon 66 UL 94V-0			

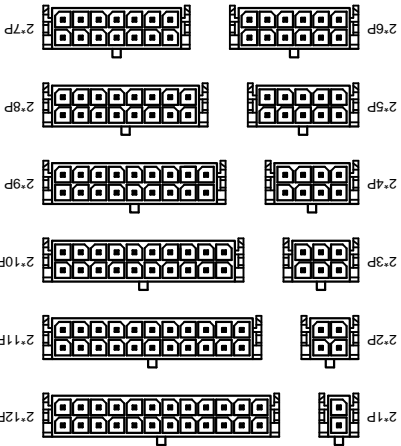
Recommended P.C.B Layout
General Tolerance±0.05



X3025 W R X-2*XX B-XX XX XX
 ① Series No.
 ② Category: W-water
 ③ Welding Board Angle: R-90°
 ④ Welding Way: Blank-DIP
 ⑤ Row No.-Pin No.: 2*XX-2*01P-2*12P
 ⑥ Special NO.: B-Without positioning column
 ⑦ Material:
 ⑧ 46-PA46 94V-0 N0-PA66 94V-0 LP-LCP 94V-0
 ⑨ Plating Category: SN-Bright tin plating
 ⑩ Color: Blank-natural color

- Specifications :
- Voltage rating: 250V AC / DC
 - Current rating: 5A AC / DC
 - Withstanding voltage: 1000V AC/minute
 - Temperature range: -25°C~+85°C
 - Insulation resistance: ≥1000MΩ
 - Contact resistance: ≤10mΩ
 - After environmental testing: ≤20mΩ

Scale 1:3



8 7 6 5 4 3 2 1 A B C D E F

For and on behalf of
KXB INDUSTRIAL PRECISION CO., LIMITED
 香港星坤工業精密有限公司

REVISIONS
 (Authorized Signatures)

MARK	DESCRIPTION	DATE	REVISED	APPROVED	UNSPECIFIED TOLERANCES
△ X					L > 63 ± 0.5
△ X					16 < L ≤ 63 ± 0.4
△ X					4 < L ≤ 16 ± 0.3
△ X					L ≤ 4 ± 0.2
					ANGULAR ± 5°

REVISION	SHEET	WEIGHT	SIZE: A4
A0	1/1	1.0g	

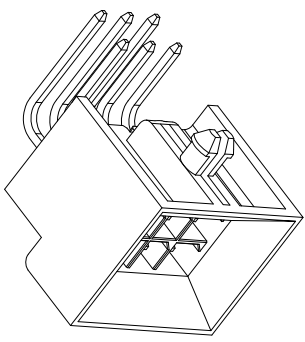
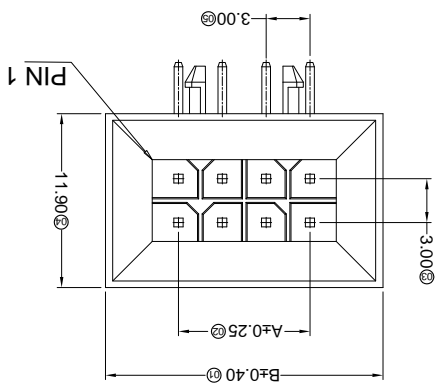
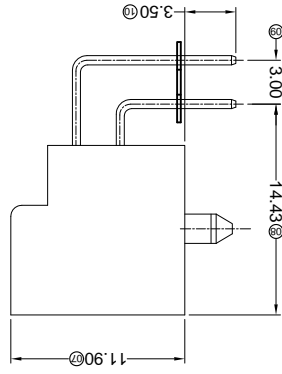
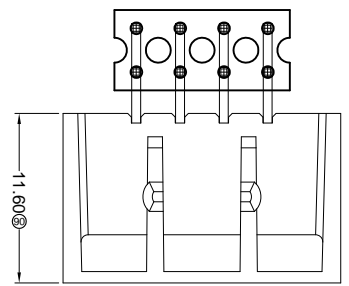
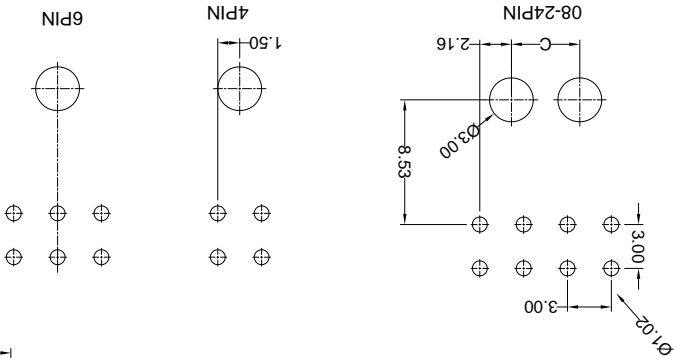
DATE	SCALE: N/A	MODEL TYPE: X3025WR-2*XXH-LPSN

DATE	VIEW:	PART NO.: 3.00 mm Crimp Style Connectors

DATE	UNIT: mm	DWG NO.:

DATE	APPD	CHKD	DWN	DSND

PCB LAYOUT: Component side



X3025 WR X-2*XX H-LP SN XX

Series No. 01 02 03 04 05 06 07 08 09

- ① Series No.
- ② Category: W-water
- ③ Welding Board Angle: R-90°
- ④ Welding Way: Blank-DIP
- ⑤ Row No.-Pin No.: 2*XX-2*01P~2*12P
- ⑥ Special NO.: H-With Base and positioning column
- ⑦ Material: LP-LCP 94V-0
- ⑧ Planting Category: SN-Bright tin plating
- ⑨ Color: Blank-natural color

Poles	Dimensions (mm)		
	A	B	C
2*02	3.00	13.00	2*08
2*03	6.00	16.00	2*09
2*04	9.00	19.00	4.68
2*05	12.00	22.00	7.68
2*06	15.00	25.00	10.68
2*07	18.00	28.00	13.68

Dimensions (mm)		
A	B	C
31.00	31.00	16.68
34.00	34.00	19.68
37.00	37.00	22.68
40.00	40.00	25.68
43.00	43.00	28.68

Part No.	Material	Material(Pin)	Finish(Pin)	Mates With XKB Housing
X3025WR-2*XXH-LPSN	LCP UL 94V-0	Brass	Tin-Plated	X3025H

- Specifications:**
- Voltage rating: 250V AC / DC
 - Current rating: 5A AC / DC
 - Withstanding voltage: 1500V AC/minute
 - Temperature range: -25°C~+85°C
 - Insulation resistance: ≥1000MΩ
 - Contact resistance: ≤10mΩ
 - After environmental testing: ≤20mΩ

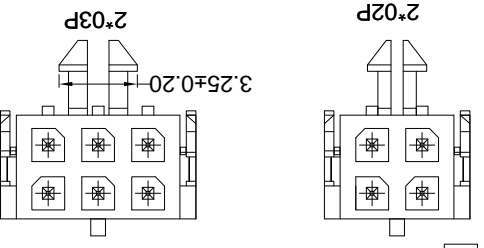
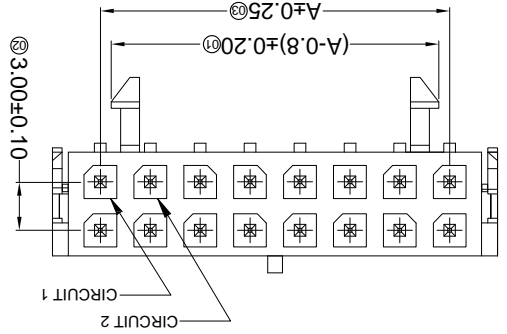
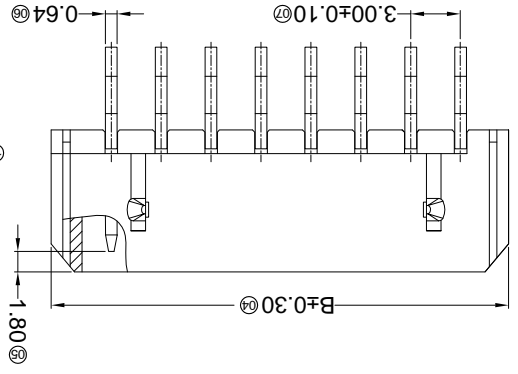
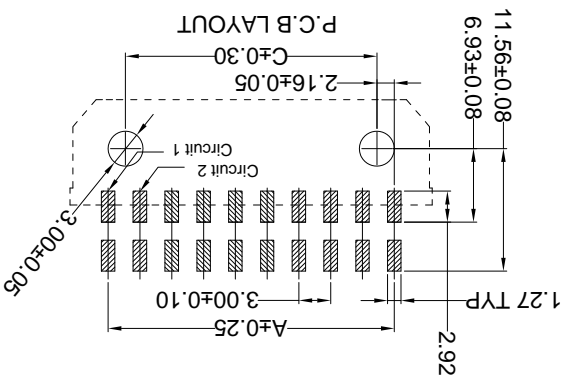
REVISIONS
(Unauthorized Signatures)

MARK	DESCRIPTION	DATE	REVISED	APPROVED	UNSPECIFIED TOLERANCES
△ X					L > 63 ± 0.5
△ X					16 < L ≤ 63 ± 0.4
△ X					4 < L ≤ 16 ± 0.3
△ X					L ≤ 4 ± 0.2
					ANGULAR ± 5°

For and on behalf of
KXB INDUSTRIAL PRECISION CO., LIMITED
香港星坤工業精密有限公司

KXB INDUSTRIAL PRECISION CO., LIMITED

DATE	SCALE: N/A	MODEL TYPE: X3025WRS-2*XXA-LPXX
DNSD		
DWN		
CHKD		
APPD		
	DATE	DATE
	DATE	DATE
	DATE	DATE
	VIEW:	
	UNIT: mm	
	SIZE: A4	
	DWG NO.:	
	PART NO.:	
	3.00 mm Crimp Style Connectors	
	WEIGHT	
	SHEET	
	REVISION	



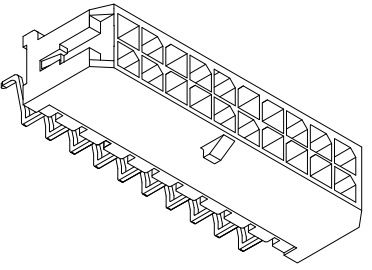
PART NO	Material	Material(Fin)	Finish(Fin)	Mates With XKB Housing
X3025WRS-2*XXA-LPXX	LCP UL 94V-0	Brass	Tin-Plated	X3025H
X3025WRS-2*XXA-LPSW			Mate Tin Plating	

Poles	Dimensions (mm)		
	A	B	C
2*01	6.65	6.65	2*07
2*02	3.00	9.65	2*08
2*03	6.00	12.65	2*09
2*04	9.00	15.65	4*07
2*05	12.00	18.65	7*07
2*06	15.00	21.65	10*07
Poles			
Dimensions (mm)			
A	B	C	
33.00	30.00	30.00	
39.65	36.65	36.65	
28.70	25.70	25.70	

- ① Series No.
② Category: W-water
③ Welding Board Angle: R- Right Angle 90°
④ Welding Way: S-SMT
⑤ Row No.-Pin No.: 2*XX-2*01P-2*12P
⑥ Plug the Pin & Special No.: A-With Post
⑦ Material: LP-LCP 94V-0
⑧ Planting Category: SN-Bright tin plating
⑨ Color: Blank-natural color
⑩ SW-Matte Tin plating

X3025 W R S-2*XX A-LP XX XX

- Specifications :
- Voltage rating: 250V AC / DC
 - Current rating: 5A AC / DC
 - Withstanding voltage: 1000V AC/minute
 - Temperature range: -25°C~+85°C
 - Insulation resistance: ≥1000MΩ
 - Contact resistance: ≤10mΩ
 - After environmental testing: ≤20mΩ



For and on behalf of
KXB INDUSTRIAL PRECISION CO., LIMITED
 香港星坤工業精密有限公司

REVISIONS
 Authorized Signatures(s)

MARK	DESCRIPTION	DATE	REVISED	APPROVED	UNSPECIFIED TOLERANCES
△ X					L > 63
△ X					16 < L ≤ 63
△ X					4 < L ≤ 16
△ X					L ≤ 4
					ANGULAR
					± 5°
					± 0.2
					± 0.3
					± 0.4
					± 0.5

REVISION	SHEET	WEIGHT	8
A0	1/1	1.0g	

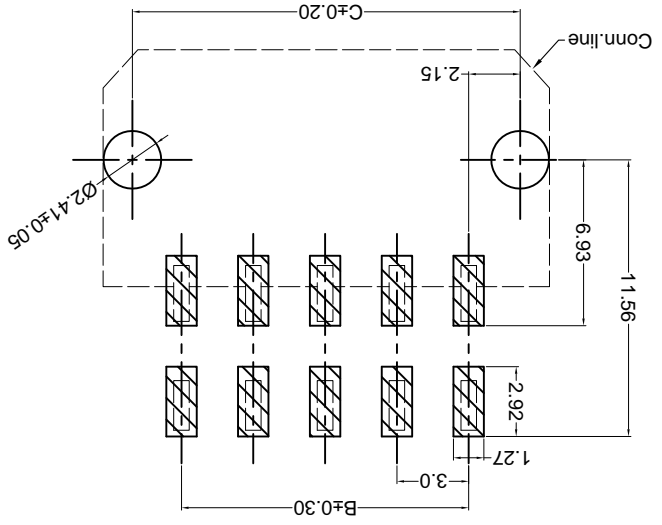
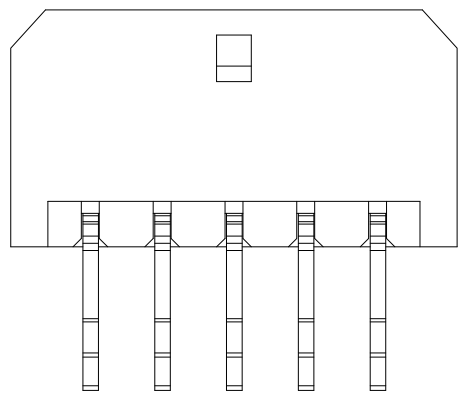
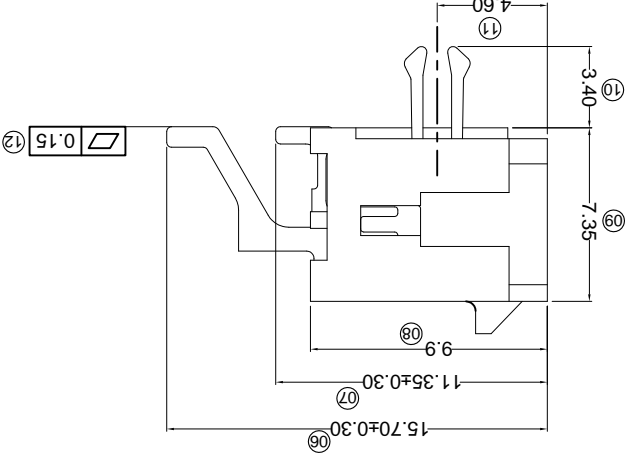
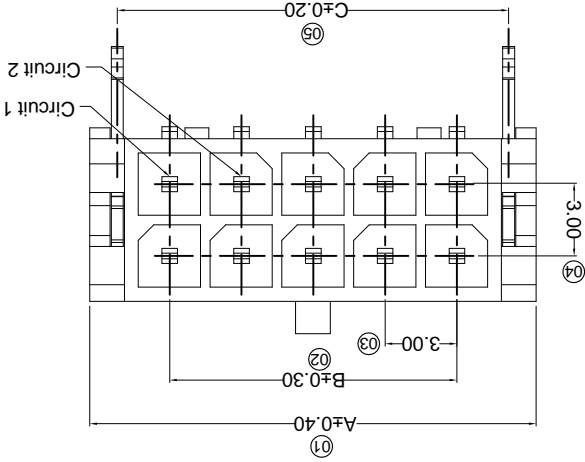
DATE	SCALE: N/A	MODEL TYPE: X3025WRS-2*XXC-XXXX	7

DATE	VIEW:	PART NO.: X3025WRS-2*XXC-XXXX	6

DATE	UNIT: mm	DWG NO.:	5

DATE	SIZE: A4	REVISION	4

PART NO	Material	Material(Pin)	Finish(Pin)	(Solder Tabs)	(Solder Tabs)	Mates With XKB Housing
X3025WRS-2*XXC-LPSW	LCP UL 94V-0	Brass	Ni:50u"Min; Sn:120u"Min;	Brass	Finish Tabs	Mates With XKB Housing
X3025WRS-2*XXC-LPSN	LCP UL 94V-0				Tin-Plated	
X3025WRS-2*XXC-NOSN	PA66 UL 94V-0				Matte Tin Plating	



Poles	A	B	C
02	6.65	---	4.20
04	9.65	3.00	7.20
06	12.65	6.00	10.20
08	15.65	9.00	13.20
10	18.65	12.00	16.20
12	21.65	15.00	19.20
14	24.65	18.00	22.20
16	27.65	21.00	25.20
18	30.65	24.00	28.20
20	33.65	27.00	31.20
22	36.65	30.00	34.20
24	39.65	33.00	37.20

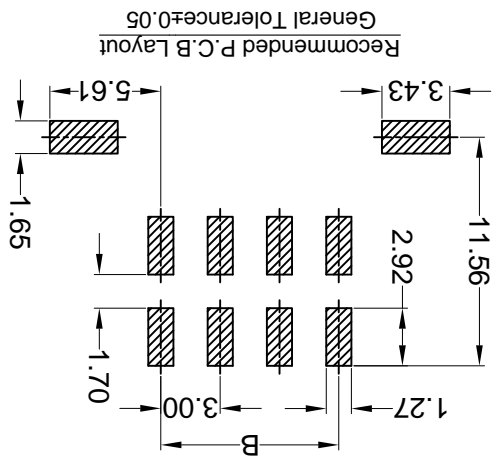
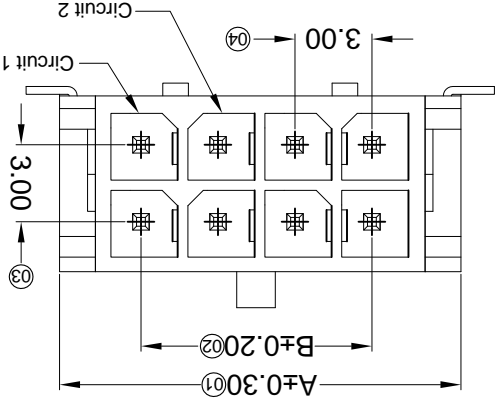
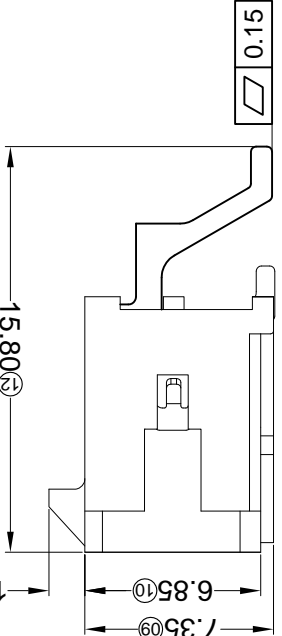
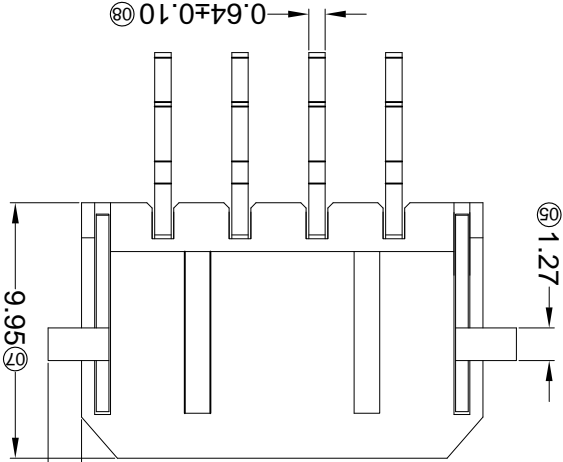
- Specifications :
- Voltage rating: 250V AC / DC
 - Current rating: 5A AC / DC
 - Withstanding voltage: 1000V AC/minute
 - Temperature range: -25°C~+85°C
 - Insulation resistance: ≥1000MΩ
 - Contact resistance: ≤10mΩ
 - After environmental testing: ≤20mΩ
- X3025 W R S-2*XX C-XX XX XX
- ① Series No.
 ② Category: W-water
 ③ Welding Board Angle: R-90°
 ④ Welding Way: S-SMT
 ⑤ Row No.-Pin No.: 2*XX-Double row
 ⑥ Special NO.: C-The harpoon
 ⑦ Material: LP-LCP 94V-0
 ⑧ Material: N0-PA66 94V-0
 ⑨ Plating Category:
 SN-Bright tin plating 70u"
 SW-Fog Tin plating
 Color:
 ⑩ Blank-natural color

For and on behalf of
XKB INDUSTRIAL PRECISION CO., LIMITED
 香港星坤工業精密有限公司

MARK	DESCRIPTION	DATE	REVISID	APPROVED	UNSPECIFIED TOLERANCES
△ X					L > 63
△ X					16 < L ≤ 63
△ X					4 < L ≤ 16
△ X					L ≤ 4
					ANGULAR
					± 5°

DSND	DATE	SCALE: N/A	MODEL TYPE: X3025WRS-2*XXD-XXXX
DWN <td>DATE <td>VIEW: </td> <td>PART NO.:</td> </td>	DATE <td>VIEW: </td> <td>PART NO.:</td>	VIEW:	PART NO.:
CHKD <td>DATE <td>UNIT: mm</td> <td>DWG NO.:</td> </td>	DATE <td>UNIT: mm</td> <td>DWG NO.:</td>	UNIT: mm	DWG NO.:
APPD <td>DATE <td>SIZE: A4</td> <td>REVISION</td> </td>	DATE <td>SIZE: A4</td> <td>REVISION</td>	SIZE: A4	REVISION

WEIGHT	SHEET	REVISION
1.0g	1/1	A0



Poles	Dimensions (mm)		Poles	Dimensions (mm)	
	A	B		A	B
2*01	6.65	---	2*07	24.65	18.00
2*02	9.65	3.00	2*08	27.65	21.00
2*03	12.65	6.00	2*09	30.65	24.00
2*04	15.65	9.00	2*10	33.65	27.00
2*05	18.65	12.00	2*11	36.65	30.00
2*06	21.65	15.00	2*12	39.65	33.00

- ① Series No.
- ② Category: W-WAFER
- ③ Welding Board Angle: R-Straight 90°
- ④ Welding Way: S-SMT
- ⑤ Row No.-Pin No.: 2*XX-2*02P~2*22P
- ⑥ Plug the Pin & Special No.: D-With Solder Tabs
- ⑦ Material: LP-LCP 94V-0
- ⑧ Plating Category: SN-Bright Tin Plating; G05-Contact Gold 5u"
- ⑨ Color: Blank-Natural Color

- Specifications:
- Voltage rating: 250V AC / DC
 - Current rating: 5A AC / DC
 - Withstanding voltage: 1000V AC/minute
 - Temperature range: -25°C~+85°C
 - Insulation resistance: ≥1000MΩ
 - Contact resistance: ≤10mΩ
 - After environmental testing: ≤20mΩ

X3025 W R S-2*XX D-LP XX XX
 ① ② ③ ④ ⑤ ⑥ ⑦ ⑧ ⑨

PART NO	Material	Material(Pin)	Finish(Pin)	Material (Solder Tabs)	Finish (Solder Tabs)	Mates With XKB Housing
X3025WRS-2*XXD-LPSN			Tin-Plated			
X3025WRS-2*XXD-LPG05	LCP UL 94V-0	Brass	Ni:50u" Min; Sn:120u" Min; Contact Area Gold:5u" Min.	Brass	Tin-Plated	X3025H
X3025WRS-2*XXD-LPSW			Matte tin			

For and on behalf of
KXB INDUSTRIAL PRECISION CO., LIMITED
 香港星坤工業精密有限公司

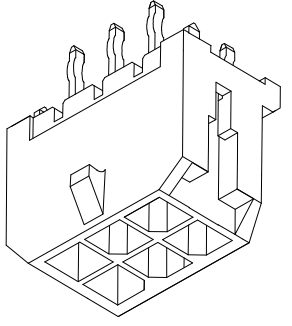
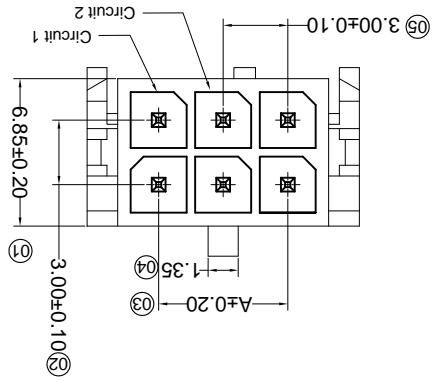
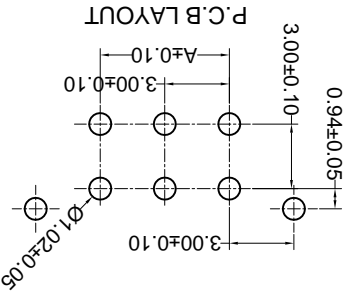
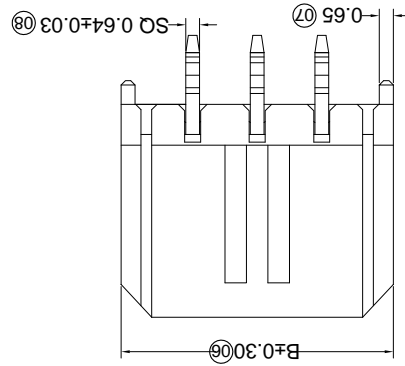
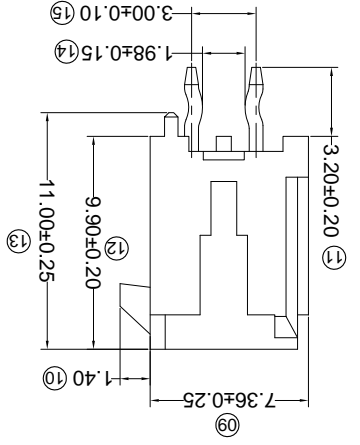
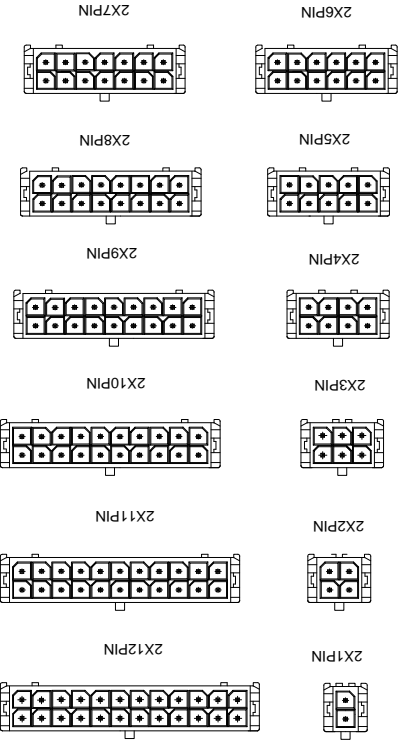
MARK	DESCRIPTION	DATE	REVISED	APPROVED	UNSPECIFIED TOLERANCES
△ X					L > 63 ± 0.5
△ X					16 < L ≤ 63 ± 0.4
△ X					4 < L ≤ 16 ± 0.3
					L ≤ 4 ± 0.2
					ANGULAR ± 5°

DSND	DATE	SCALE: N/A	MODEL TYPE: X3025WV-2*XX-XXXX
DWN	DATE	VIEW:	PART NO.:
CHKD	DATE	UNIT: mm	DWG NO.:
APPD	DATE	SIZE: A4	REVISION

WEIGHT	SHEET	REVISION
1.0g	1/1	A0

PART NO	Material	Material (Pin)	Finish (Pin)	Mates With XKB Housing
X3025WV-2*XX-PTSN	PBT UL 94V-0	Brass	Tin-Plated	X3025H
X3025WV-2*XX-46SN	PA46 UL 94V-0			
X025WV-2*XX-N0SN	PA66 UL 94V-0	Gold-Flash		
X3025WV-2*XX-46V01	PA46 UL 94V-0			

Poles	Dimensions (mm)	
	A	B
2*06	15.00	21.65
2*05	12.00	18.65
2*04	9.00	15.65
2*03	6.00	12.65
2*02	3.00	9.65
2*01	---	6.65



- Specifications :**
- Voltage rating: 250V AC / DC
 - Current rating: 5A AC / DC
 - Withstanding voltage: 1000V AC/minute
 - Temperature range: -25°C~+85°C
 - Insulation resistance: ≥1000MΩ
 - Contact resistance: ≤10mΩ
 - After environmental testing: ≤20mΩ

- ① Series No.
 ② Category: W-WAFER
 ③ Welding Board Angle: V-Straight 180°
 ④ Welding Way: Blank-DIP
 ⑤ Row No.-Pin No.: 2*XX-2*01P~2*22P
 ⑥ Plug the Pin & Special No.:
 ⑦ Material: N0-PA66 94V-0 ; PT-PBT 94V-0 ; 46-PA46 94V-0
 ⑧ Plating Category: SN-Bright Tin Plating ; V01-All Gold Flash
 ⑨ Color : Blank-Natural Color

X3025 W V X-2*XX X-XX XX XX

For and on behalf of
KXB INDUSTRIAL PRECISION CO., LIMITED
 香港星坤工業精密有限公司

Authorized Signatures

MARK	DESCRIPTION	DATE	REVISD	APPROVED	UNSPECIFIED TOLERANCES
△ X					L > 63
△ X					16 > L ≤ 63
△ X					4 < L ≤ 16
△ X					L ≤ 4
					ANGULAR
					± 5°

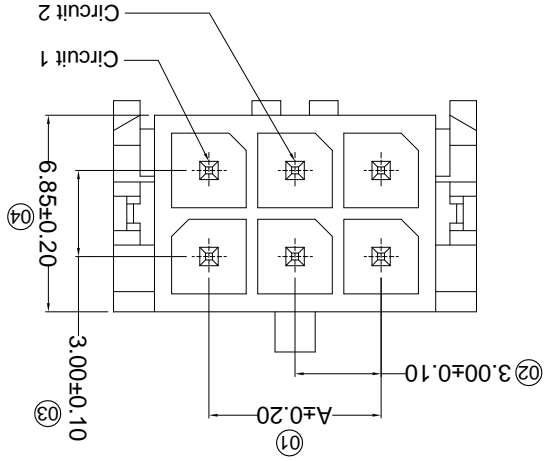
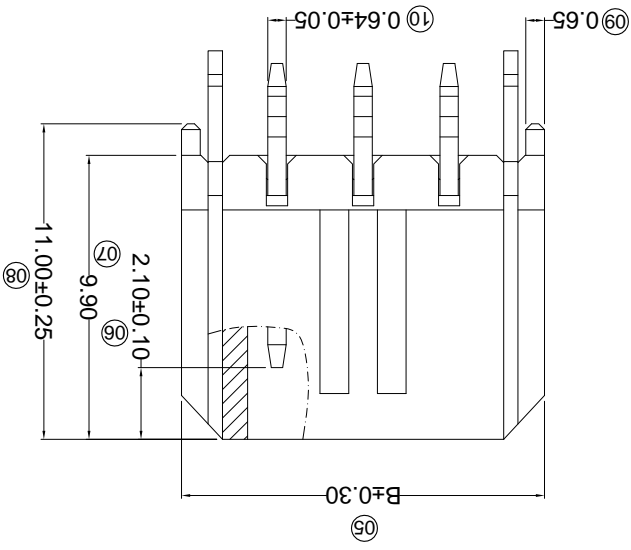
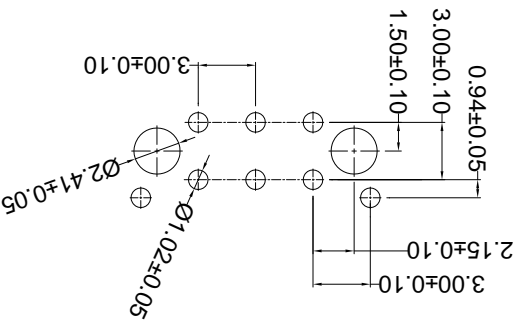
REVISION	SHEET	WEIGHT	NO
A0	1/1	1.0g	8

DSND	DATE	SCALE: N/A	MODEL TYPE: X3025WV-2*XXC-XXXX
APPD <th>DATE</th> <th>SIZE: A4</th> <th>DWG NO.:</th>	DATE	SIZE: A4	DWG NO.:
CHKD <th>DATE</th> <th>UNIT: mm</th> <th>3.00 mm Crimp Style Connectors</th>	DATE	UNIT: mm	3.00 mm Crimp Style Connectors
DWN <th>DATE</th> <th>VIEW: </th> <th>PART NO.:</th>	DATE	VIEW:	PART NO.:

Poles	Dimensions (mm)
A	6.65
B	9.65
	3.00
	12.65
	15.65
	18.65
	21.65
	24.65
	27.65
	30.65
	33.65
	36.65
	39.65

- ① Series No.
- ② Category:
- ③ W-water
- ④ Welding Board Angle:
- ⑤ V-180°
- ⑥ Welding Way:
- ⑦ Blank-DIP
- ⑧ Row No.-Pin No.
- ⑨ 2*XX-Double row
- ⑩ Special NO.
- ⑪ C-The harpoon
- ⑫ Material:
- ⑬ LP-LCP 94V-0 9T-PA9T 94V-0
- ⑭ Planting Category:
- ⑮ V**All Gold-Plated
- ⑯ *01-Gold Flash : *02-2u" ; *03-3u" ; *05-5u"
- ⑰ *10-10u" ; *15-15u" ; *30-30u" ; *50-50u"
- ⑱ SN-Bright tin plating 70u"
- ⑲ SN1-Bright tin plating 120u"Min. ;
- ⑳ SW-Fog Tin plating
- ㉑ Color:
- ㉒ Blank-natural color

P.C.B LAYOUT



REVISIONS		UNSPECIFIED TOLERANCES	
MARK	DESCRIPTION	APPROVED	APPROVED
△ X		L > 63	± 0.5
△ X		16 < L ≤ 63	± 0.4
△ X		4 < L ≤ 16	± 0.3
△ X		L ≤ 4	± 0.2
		ANGULAR	± 5°

For and on behalf of
XKB INDUSTRIAL PRECISION CO., LIMITED
 香港星坤工業精密有限公司

DATE	DATE	DATE	DATE
DNSD	DWN	CHKD	APPD
SCALE: N/A	VIEW:	UNIT: mm	SIZE: A4
MODEL TYPE: X3025WV-2*XXCN-LPSN	PART NO.:	DWG NO.:	REVISION
			A0

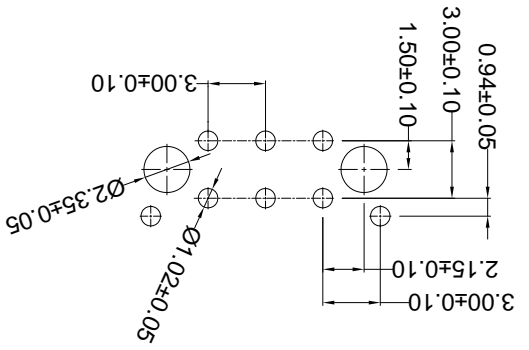
PART NO	Material	Material(Pin)	Finish(Pin)	Mates With XKB Housing
X3025WV-2*XXCN-LPSN	LCP UL 94V-0	Brass	Tin-Plated	X3025H

Poles	Dimensions (mm)	A	B
02	--	6.65	6.65
04	3.00	9.65	12.65
06	6.00	12.65	15.65
08	9.00	15.65	18.65
10	12.00	18.65	21.65
12	15.00	21.65	24.65
14	18.00	24.65	27.65
16	21.00	27.65	30.65
18	24.00	30.65	33.65
20	27.00	33.65	36.65
22	30.00	36.65	39.65
24	33.00	39.65	

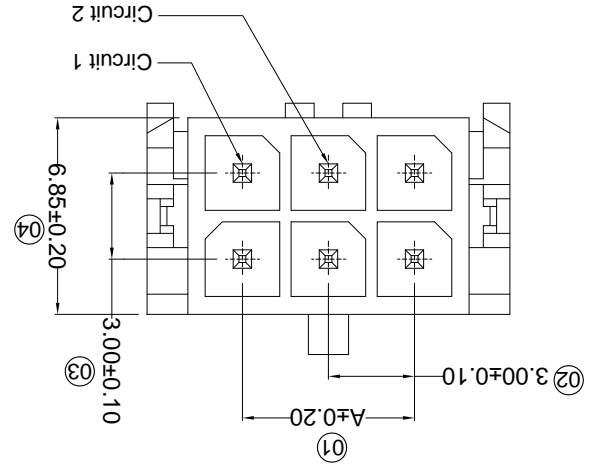
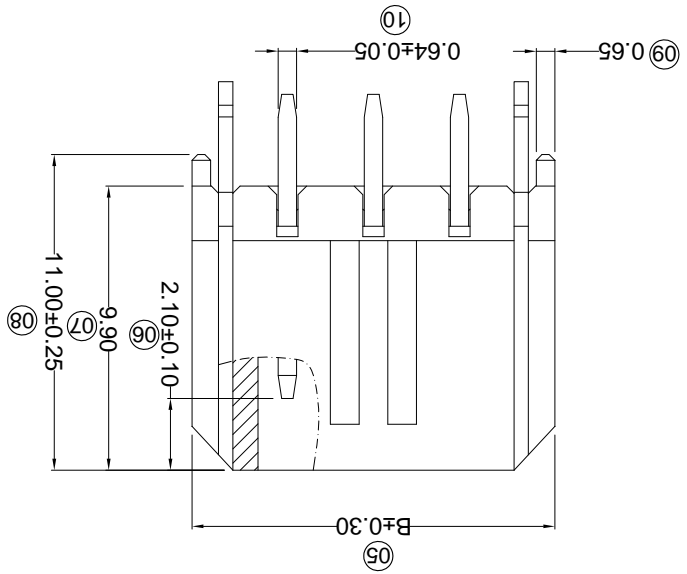
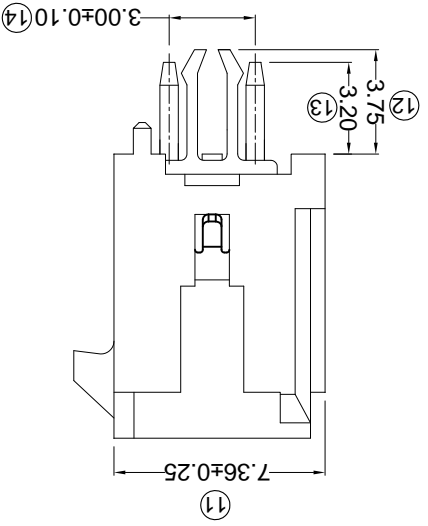
- ① Series No.
- ② Category: W-water
- ③ Welding Board Angle: V-180°
- ④ Welding Way: Blank-DIP
- ⑤ Row No.-Pin No.
- ⑥ 2*XX-Double row
- ⑦ Special NO.
- ⑧ C-The harpoon N-without K the feet
- ⑨ Material: LP-LCP 94V-0
- ⑩ Planting Category: V**All Gold-Plated
- ⑪ *01-Gold Flash : *02-2u" ; *03-3u" ; *05-5u" ; *10-10u" ; *15-15u" ; *30-30u" ; *50-50u"
- ⑫ SN-Bright tin plating 70u"
- ⑬ SN1-Bright tin plating 120u"Min.
- ⑭ SW-Fog Tin plating
- ⑮ Color: Blank-natural color

X3025 W V X-2*XX CN-LP SN XX
 ① ② ③ ④ ⑤ ⑥ ⑦ ⑧ ⑨

- Specifications :
- Voltage rating: 250V AC / DC
 - Current rating: 5A AC / DC
 - Withstanding voltage: 1000V AC/minute
 - Temperature range: -25°C~+85°C
 - Insulation resistance: ≥1000MΩ
 - Contact resistance: ≤10mΩ
 - After environmental testing: ≤20mΩ



P.C.B LAYOUT



For and on behalf of
KXB INDUSTRIAL PRECISION CO., LIMITED
 香港星坤工業精密有限公司

MARK	DESCRIPTION	DATE	REVISED	APPROVED	UNSPECIFIED TOLERANCES
△ X					L > 63
△ X					16 < L ≤ 63
△ X					4 < L ≤ 16
△ X					L ≤ 4
					ANGULAR

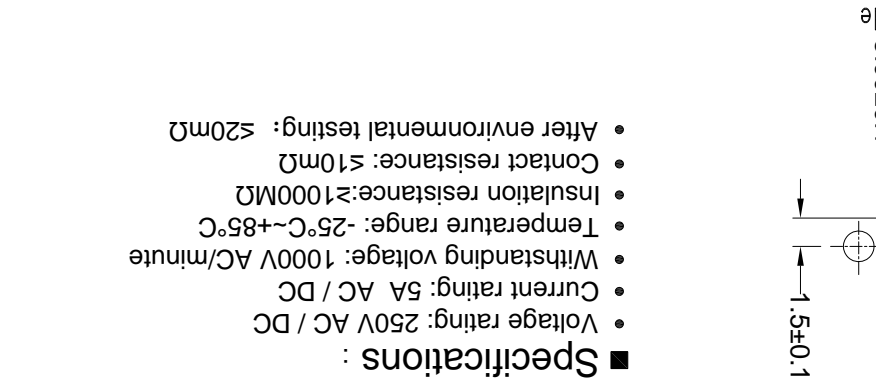
REVISIONS	DATE	REVISIONS	DATE	REVISIONS	DATE
APPROVED		REVISED		APPROVED	

REVISION	SHEET	WEIGHT	1.0g
A0	1/1		

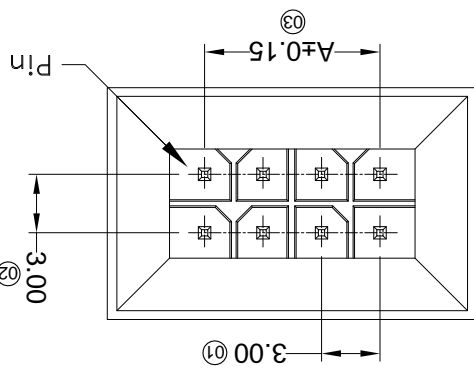
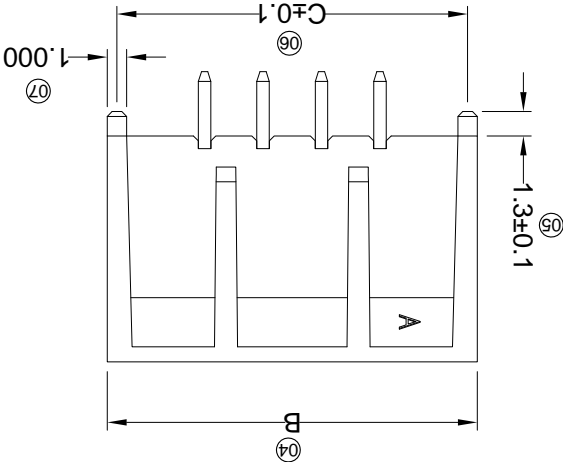
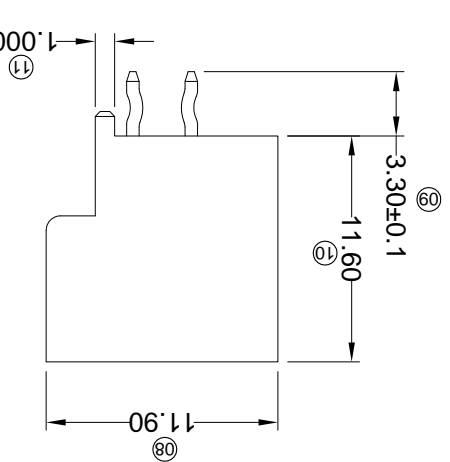
Part No.	X3025WV-2*XXH-LPSN
Material	LCP UL 94V-0
Material(Pin)	Brass
Finish(Pin)	Tin-Plated
Mates With XKB Housing	X3025H

Part No.	Material	Material(Pin)	Finish(Pin)	Tin-Plated	Dimensions (mm)
X3025WV-2*XXH-LPSN	LCP UL 94V-0	Brass	Tin-Plated		
					A
					B
					C
					24
					22
					20
					18
					16
					14
					12
					10
					08
					06
					04

- ① Series No.
- ② Category: W-water
- ③ Welding Board Angle: V-180°
- ④ Welding Way: Blank-DIP
- ⑤ Row No.-Pin No.
- ⑥ Special NO.
- ⑦ Material: LP-LCP 94V-0
- ⑧ Plating Category: V**All Gold-Plated
- ⑨ Color: Blank-natural color
- *01-Gold Flash ; *02-2u" ; *03-3u" ; *05-5u"
- *10-10u" ; *15-15u" ; *30-30u" ; *50-50u"
- SN-Bright tin plating 70u"
- SN1-Bright tin plating 120u"Min. ;
- SW-Fog Tin plating



- Specifications :
- Voltage rating: 250V AC / DC
 - Current rating: 5A AC / DC
 - Withstanding voltage: 1000V AC/minute
 - Temperature range: -25°C~+85°C
 - Insulation resistance: ≥1000MΩ
 - Contact resistance: ≤10mΩ
 - After environmental testing: ≤20mΩ



REVISIONS
 (Authorized Signatures)

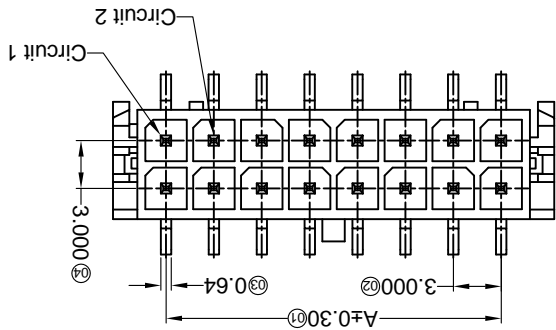
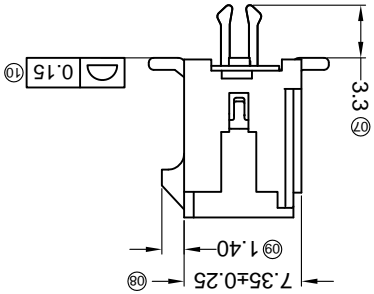
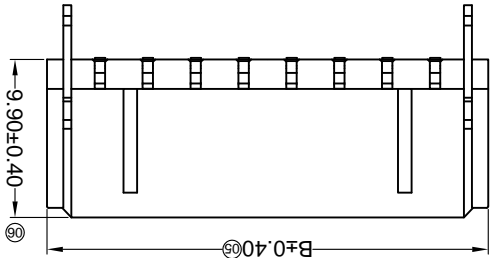
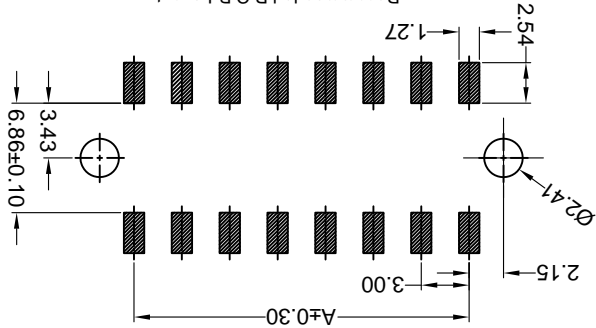
MARK	DESCRIPTION	DATE	REVISED	APPROVED	UNSPECIFIED TOLERANCES
△ X					L > 63 ± 0.5
△ X					16 < L ≤ 63 ± 0.4
△ X					4 < L ≤ 16 ± 0.3
△ X					L ≤ 4 ± 0.2
					ANGULAR ± 5°

For and on behalf of
XKB INDUSTRIAL PRECISION CO., LIMITED
 香港星坤工業精密有限公司

XKB INDUSTRIAL PRECISION CO., LIMITED

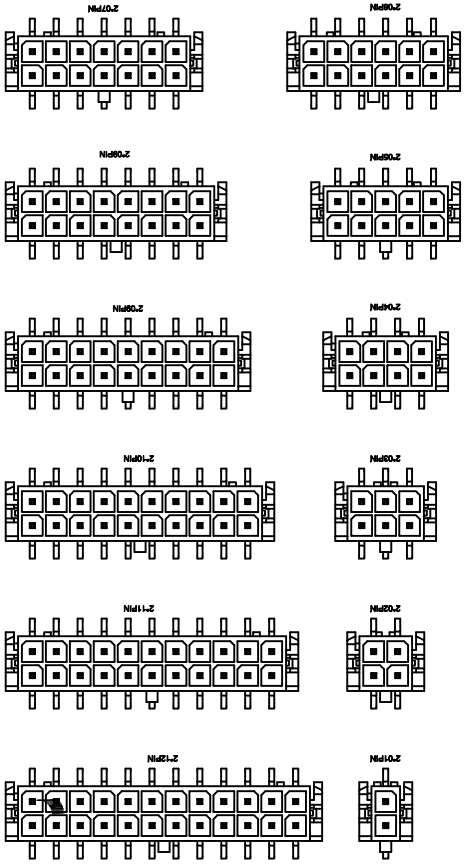
MODEL TYPE:	SCALE: N/A	DATE	DATE	DATE	DATE
X3025WVS-2*XXC-LPXX					
PART NO.:	VIEW:	DATE	DATE	DATE	DATE
3.00 mm Crimp Style Connectors					
DWG NO.:	UNIT: mm	DATE	DATE	DATE	DATE
WEIGHT	SHEET	REVISION			
1.0g	1/1	A0			

Recommended P.C.B Layout
 General Tolerance±0.05



PART NO	Material	Material (Pn)	Finish (Pn)	Material (Pn)	Material (Pn)	Material (Pn)	Material (Pn)
X3025WVS-2*XXC-LPXX	LCP UL 94V-0	Brass	Tin-Plated	Brass	Tin-Plated	Brass	Tin-Plated
X3025WVS-2*XXC-LPXX	LCP UL 94V-0	Brass	Tin-Plated	Brass	Tin-Plated	Brass	Tin-Plated

Poles	Dimensions(mm)	A	B
2*01	---	6.65	2*07
2*02	3.00	9.65	2*08
2*03	6.00	12.65	2*09
2*04	9.00	15.65	2*10
2*05	12.00	18.65	2*11
2*06	15.00	21.65	2*12
Poles		33.00	39.65
Dimensions(mm)		A	B



- ① Series No.
 ② Category: W-water
 ③ Welding Board Angle: V- Straight 180°
 ④ Welding Way: S-SMT
 ⑤ Row No-Pin No.: 2*XX-2*01P-2*12P
 ⑥ Plug the Pin & Special No.: C-The Harpoon
 ⑦ Material: LP-LCP 94V-0
 ⑧ Plating Category:
 ⑨ SN-Bright tin plating : SW-Matte Tin plating
 ⑩ Color: Blank-Natural color

X3025 W V S-2*XX C-LP XX XX

- Specifications :
- Voltage rating: 250V AC / DC
 - Current rating: 5A AC / DC
 - Withstanding voltage: 1000V AC/minute
 - Temperature range: -25°C~+85°C
 - Insulation resistance: ≥1000MΩ
 - Contact resistance: ≤10mΩ
 - After environmental testing: ≤20mΩ

For and on behalf of
KXB INDUSTRIAL PRECISION CO., LIMITED
 香港星坤工業精密有限公司
 REVISIONS
 Authorized Signatures(s)

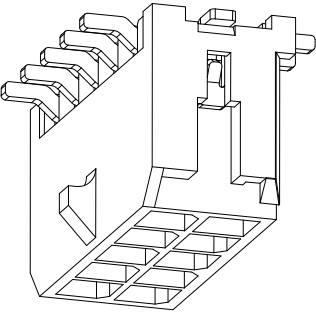
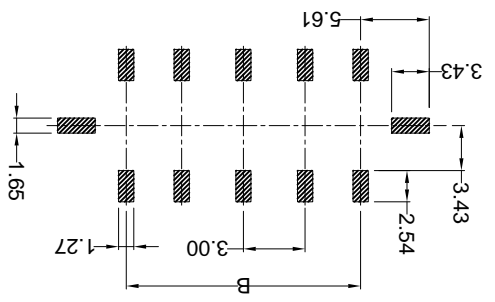
MARK	DESCRIPTION	DATE	REVISED	APPROVED	UNSPECIFIED TOLERANCES
△ X					L > 63
△ X					16 > L ≤ 63
△ X					4 < L ≤ 16
					L ≤ 4
					ANGULAR
					± 5°

REVISION	SHEET	WEIGHT	SIZE: A4
A0	1/1	1.0g	

DATE	DATE	DATE	DATE
DNSD	DWN	CHKD	APPD

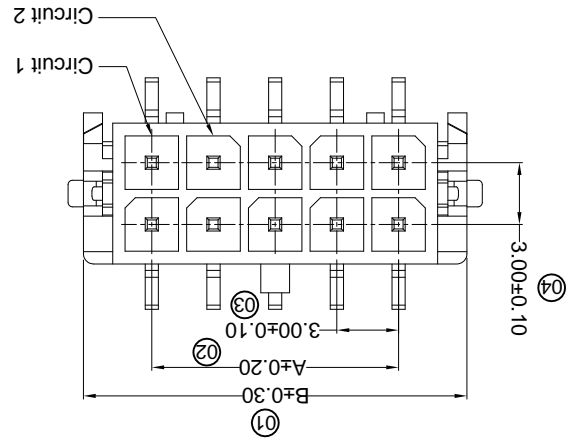
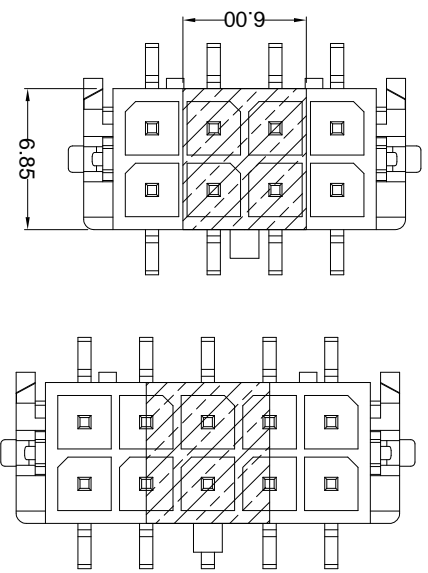
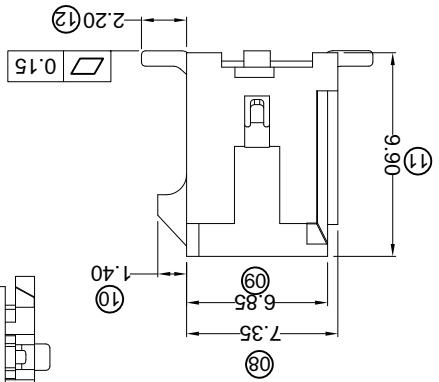
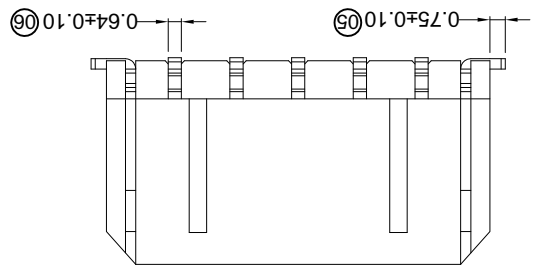
SCALE: N/A	VIEW:	UNIT: mm
MODEL TYPE: X3025WVS-2*XXD-LPSW	PART NO.:	DWG NO.:
		3.00 mm Crimp Style Connectors

P.C.B. LAYOUT



PART NO	Material	Material(Pin)	Finish(Pin)	(Solder Tabs) Material	(Solder Tabs) Finish	Mates With XKB Housing
X3025WVS-2*XXD-LPSW	LCP UL 94V-0	Brass	Matte tin	Brass	Matte tin	X3025H

Poles	Dimensions(mm)	
	A	B
2*01	---	6.65
2*02	3.00	9.65
2*03	6.00	12.65
2*04	9.00	15.65
2*05	12.00	18.65
2*06	15.00	21.65
Poles	Dimensions(mm)	
	A	B
2*01	18.00	2*07
2*02	21.00	2*08
2*03	24.00	2*09
2*04	27.00	2*10
2*05	30.00	2*11
2*06	33.00	2*12



- ① Series No.
- ② Category: W-water
- ③ Weiding Board Angle: V- Stright 180°
- ④ Weiding Way: S-SMT
- ⑤ Row No.-Pin No.: 2*XX-2*01P-2*12P
- ⑥ Plug the Pin & Special No.: D-Solder Tabs
- ⑦ Material: LP-LCP 94V-0
- ⑧ Planting Category:
- ⑨ SN-Bright tin plating ; SW-Matte Tin plating
- ⑩ Color: Blank-Natural color

X3025 W V S-2*XX D-LP XX XX

- Voltage rating: 250V AC / DC
- Current rating: 5A AC / DC
- Withstanding voltage: 1000V AC/minute
- Temperature range: -25°C~+85°C
- Insulation resistance: ≥1000MΩ
- Contact resistance: ≤10mΩ
- After environmental testing: ≤20mΩ

Specifications :

X-ON Electronics

Largest Supplier of Electrical and Electronic Components

Click to view similar products for [Headers & Wire Housings](#) category:

Click to view products by [XKB](#) manufacturer:

Other Similar products are found below :

[95000-104TRLF](#) [10135584-644402LF](#) [DF62W-EP2022PCA](#) [95000-106TRLF](#) [DF62W-2022SCA](#) [DF62W-EP2022PC](#) [2203348](#) [DF62W-2022SC](#) [1084018](#) [1029039](#) [1084017](#) [802-10-012-10-002000](#) [1112640](#) [1112639](#) [891-007-9SS-BST1T](#) [000-34000](#) [0008550134](#) [0009482033](#) [0009507031](#) [57102-F02-18ULF](#) [57102-S06-03LF](#) [57202-S52-04LF](#) [PCN6-15S-2.5E](#) [0039019024](#) [58102-G61-06LF](#) [582553-1](#) [0009485154](#) [0009508121](#) [0022285053](#) [0050291907](#) [018731A](#) [LY20-4P-DT1-P1E-BR](#) [02.125.8002.8](#) [60101931](#) [60598-1 \(Cut Strip\)](#) [M1625-3R/100](#) [61062-3](#) [61082-181009](#) [CSU011177004](#) [636-1427](#) [638009-1](#) [641938-9](#) [641991-4](#) [644168-1](#) [644827-2](#) [647662-1](#) [65039-019ELF](#) [65692-001LF](#) [65781-018](#) [65781-047](#)