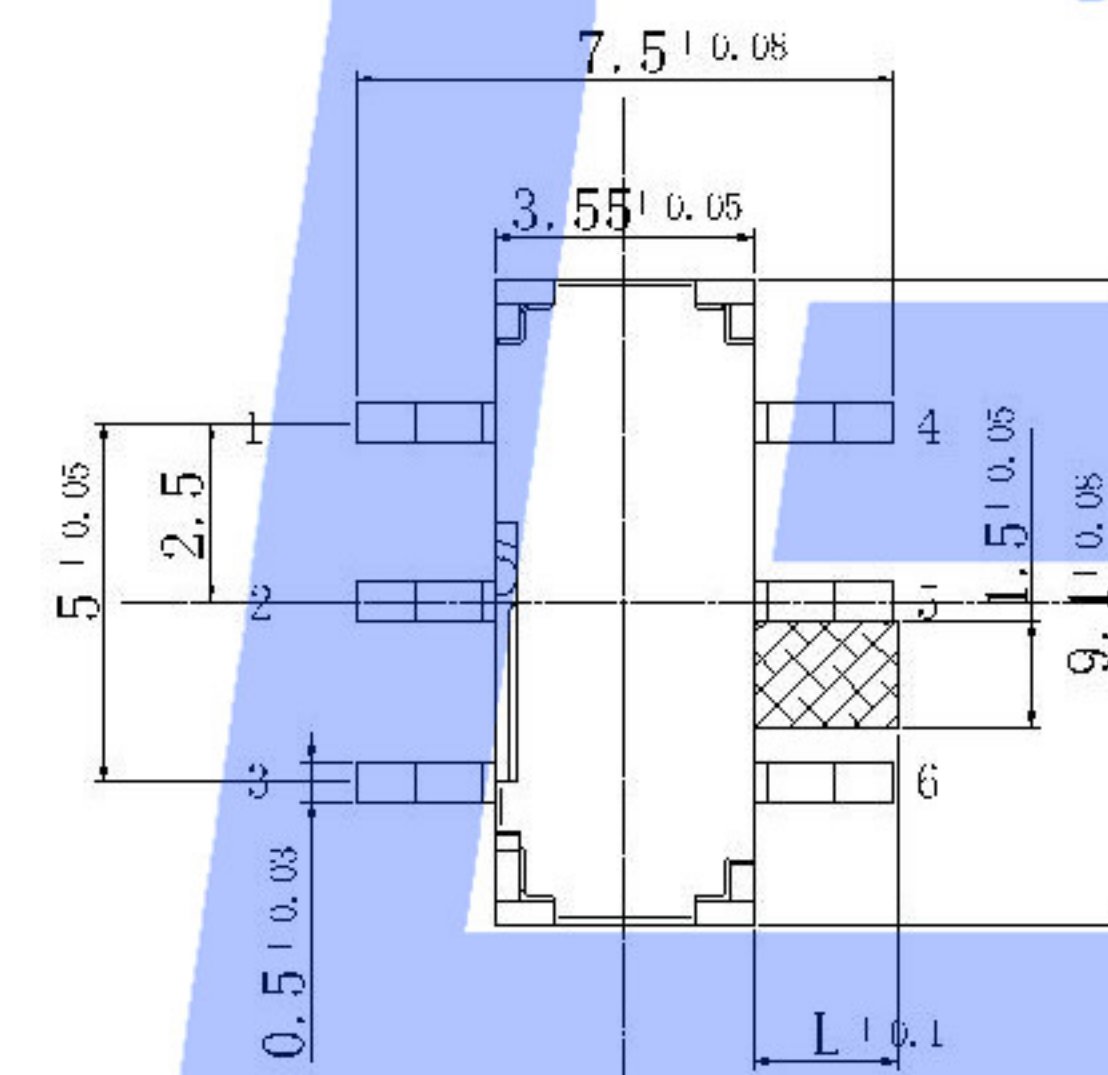
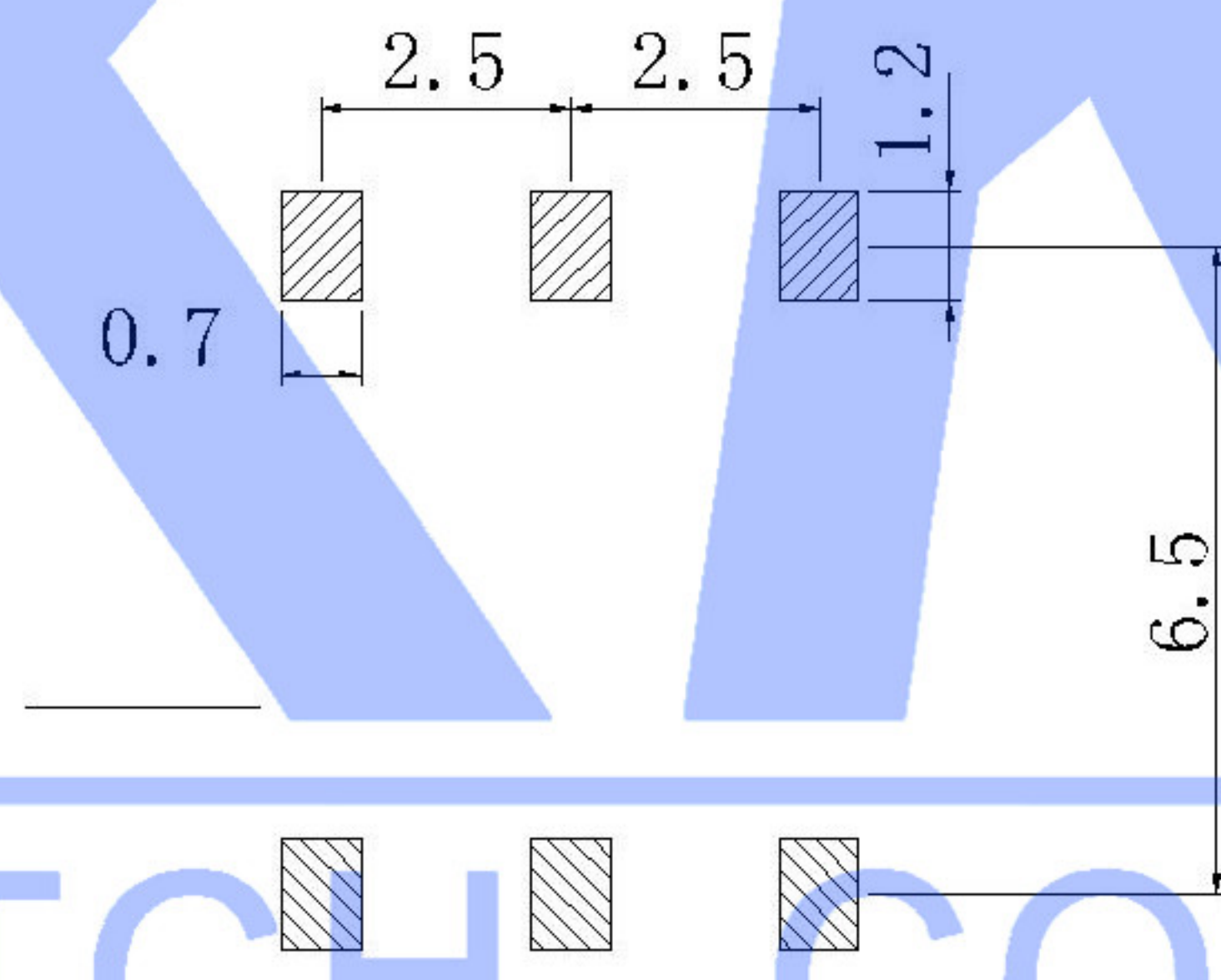
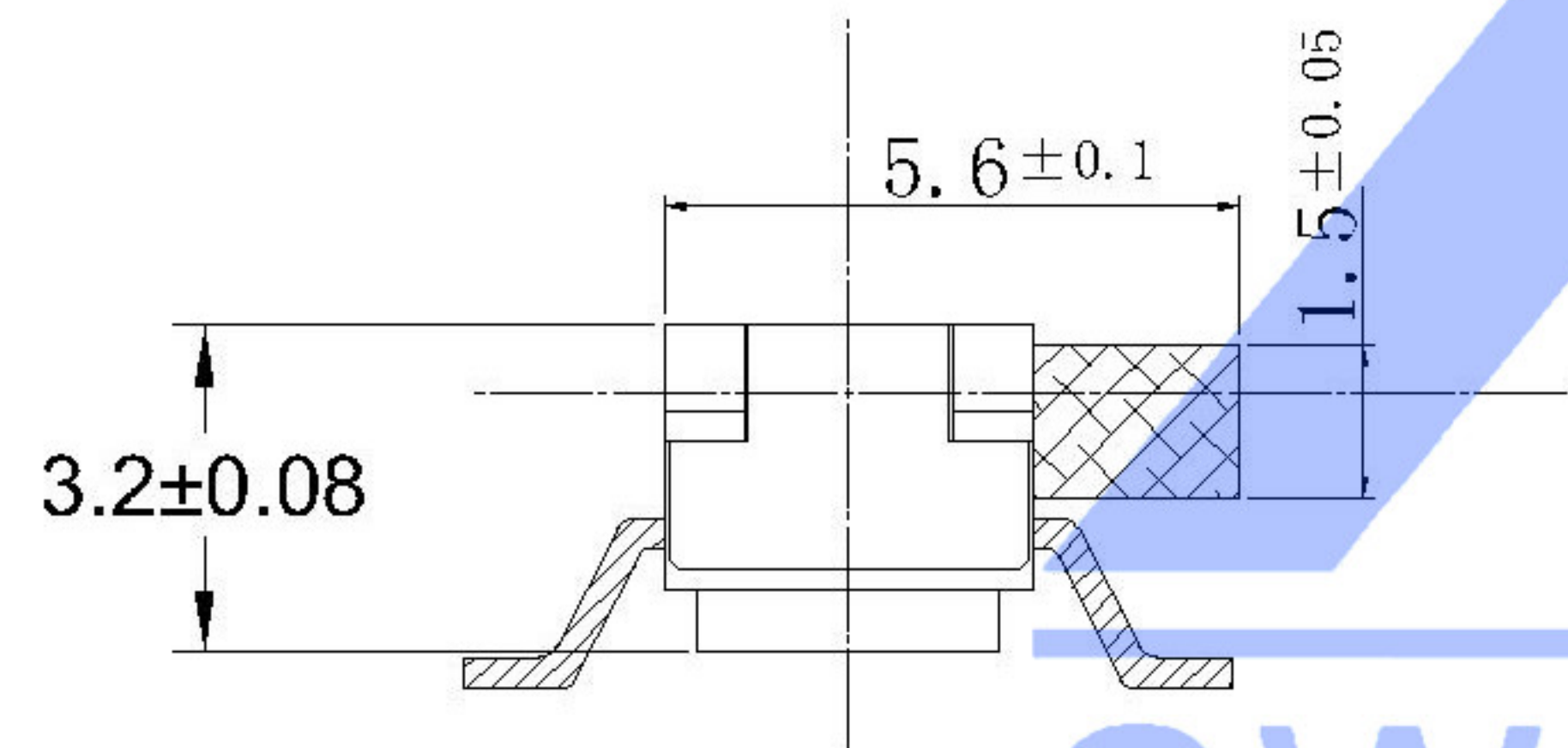


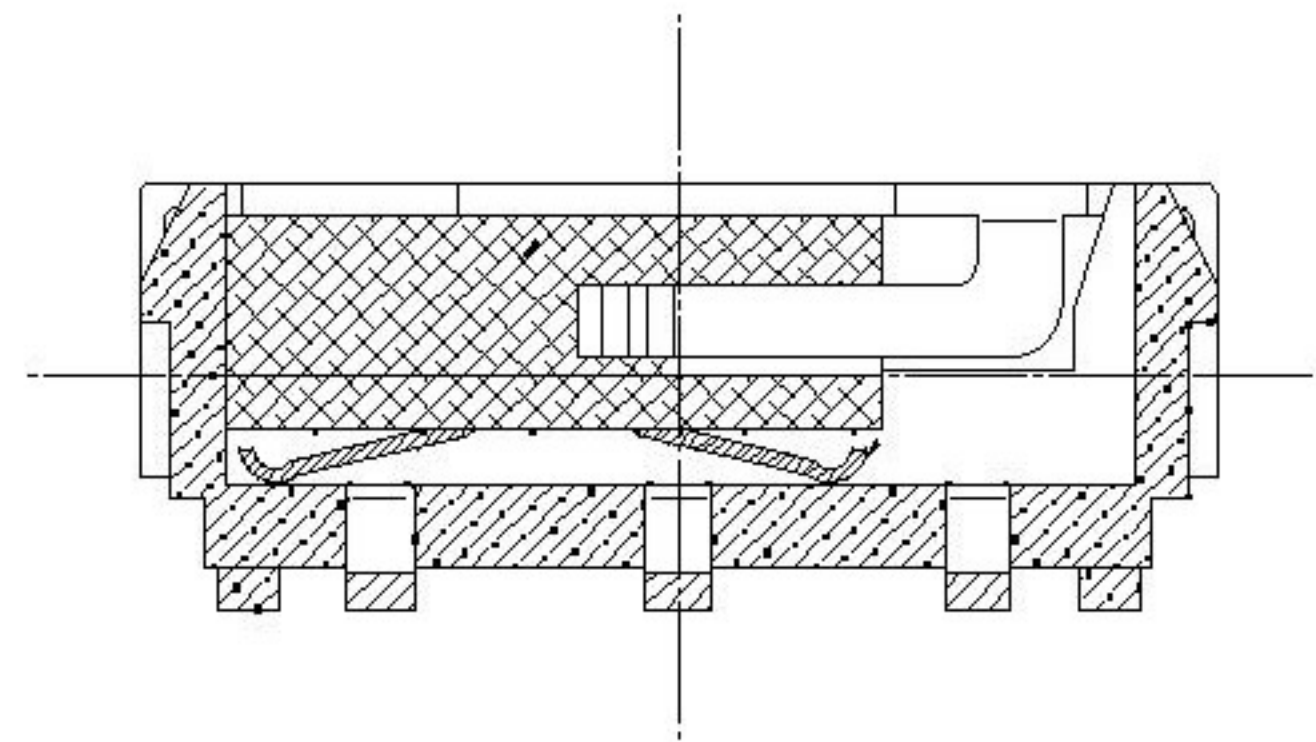
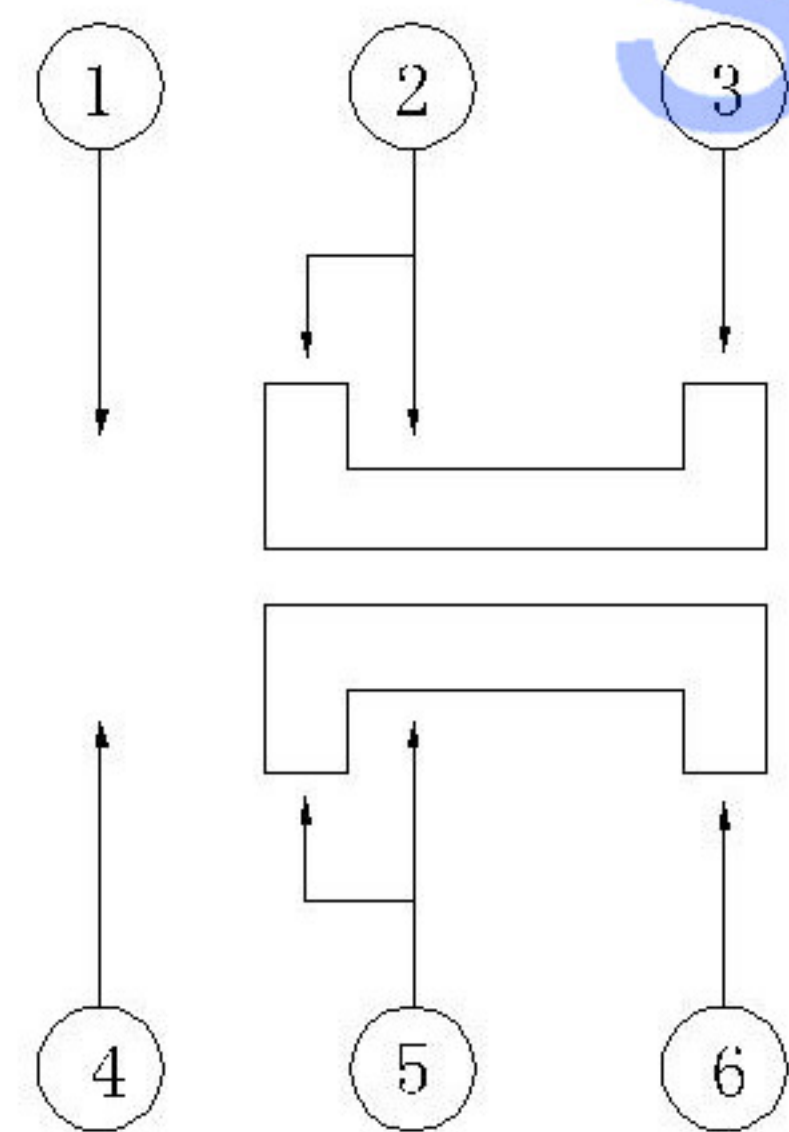
A



B

**NOTE:**  
 Rating: DC 12V 50mA  
 Operating Force: 200±100gf  
 Lifetime: 100,000 Cycles

PAPT NO	L	foot	
SK-3245S-L1-X	L1:2.0	A	B
SK-3245S-L2-X	L2:2.5	A	B
SK-3245S-L3-X	L3:3.0	A	B
SK-3245S-L4-X	L4:4.0	A	B



ITEM	PAPT NAMF	TER.NO	QTY	MATERIAL	FINISHING	REMARK
⑤	Terminal	---	6	Brass (0.30t)	ag Plated	---
④	Contact spring	---	1	Beryllium copper	---	---
③	Base	---	1	LCP	---	---
②	Cover	---	1	SUS	Tin plated	---
①	Keystake	---	1	PA46	---	---

MARK	DESCRIPTION	DATE	REVISED	APPROVED	UNSPECIFIED TOLERANCES
ΔX					ANGULAR ±5°
ΔX					L ≤ 4 ±0.2
ΔX					4 < L ≤ 16 ±0.3
					16 < L ≤ 63 ±0.4
					L > 63 ±0.5

DSND		DATE		SCALE: N/A	MODEL TYPE: SLIDE SWITCH	
DWN		DATE		VIEW:	PART NO.:	
CHKD		DATE		UNIT: mm	DWG NO.: SK-3245S-X-X	
APPD		DATE		SIZE: A4		
XKB INDUSTRIAL PRECISION CO.,LIMITED				WEIGHT	SHEET	REVISION
				1.0g	1/1	A0



## X-ON Electronics

Largest Supplier of Electrical and Electronic Components

*Click to view similar products for [Toggle Switches](#) category:*

*Click to view products by [XKB](#) manufacturer:*

Other Similar products are found below :

[A19HV](#) [8A1-C-222](#) [60012L](#) [6006L](#) [6663](#) [7101MD9V30GE](#) [7101SPDV30BE](#) [7103SDV30BE](#) [7105D](#) [7108P3YAV2BE](#) [71YY50282](#)  
[7201MD9AVBE](#) [7301K38](#) [7306K36](#) [7310K36](#) [7314K36](#) [7506K4](#) [7592K6](#) [7691K14](#) [7700K1](#) [8396K108](#) [8824K14](#) [8828K13](#) [G2VX](#) [G3VX](#)  
[PS83-121G](#) [A101MD9AB04](#) [A101SD9AB04](#) [A101SDCQ04](#) [A103SD9AQ04](#) [A107TZB04](#) [A123P32YZQ](#) [A123S1YZG](#) [A127S1YCQ](#) [1-](#)  
[1825192-0](#) [A131S1YZQ](#) [A201SCWZB04](#) [A207SYCB04](#) [A208J61ZQ0004](#) [A221K12KAG](#) [A221S1YZQ](#) [A221T1TCQ](#) [A232K12KZQ](#)  
[A232M1YCQ](#) [A323S1CWZQ](#) [A423S1CWZG-M8](#) [A423S1YZQ](#) [12149A-3V](#) [12156AX408](#) [12147AGKX679](#)