

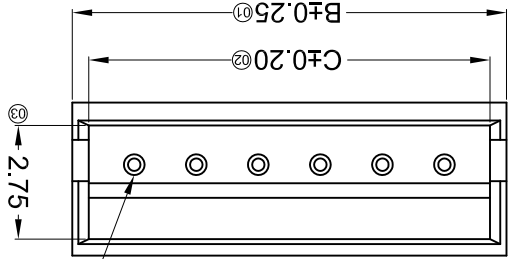
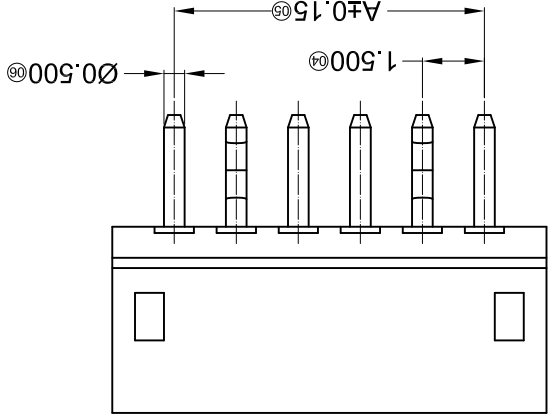
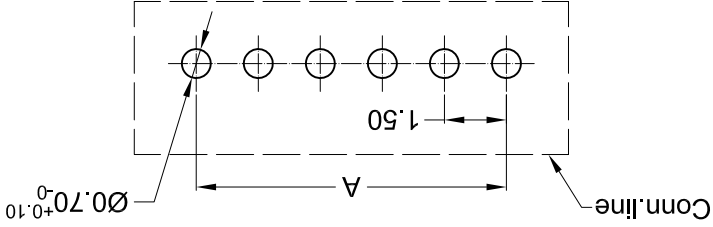
For and on behalf of
XKB INDUSTRIAL PRECISION CO., LIMITED
 香港星坤工業精密有限公司

REVISIONS
 Authorized Signatures(s)

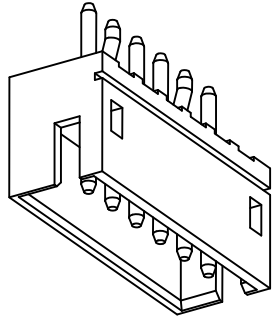
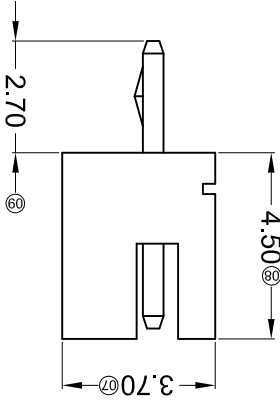
MARK	DESCRIPTION	DATE	REVISED	APPROVED	UNSPECIFIED TOLERANCES
△ X					L > 63 ± 0.5
△ X					16 < L ≤ 63 ± 0.4
△ X					4 < L ≤ 16 ± 0.3
△ X					L ≤ 4 ± 0.2
					ANGULAR ± 5°

REVISION	SHEET	WEIGHT	XKB INDUSTRIAL PRECISION CO., LIMITED			
A0	1/1	1.0g	SIZE: A4	DATE	DATE	DATE
			UNIT: mm	DATE	DATE	DATE
			VIEW:	DATE	DATE	DATE
			SCALE: N/A	DATE	DATE	DATE
			MODEL TYPE: X1502WV-XXK-N0SN			
			PART NO.:			
			1.50mm Crimp Style Connectors			
			DWG NO.:			

Recommended P.C.B Layout
 General Tolerance ±0.05



Circuit 1



PART NO	Material	Material(Pin)	Finish(Pin)	Suitable XKB Terminal
X1502WV-XXK-N0SN	Nylon 66 UL 94V-0	Brass	Tin-Plated	X1502H

Poles	Dimensions(mm)		
	A	B	C
02	1.50	4.50	3.70
03	3.00	6.00	5.20
04	4.50	7.50	6.70
05	6.00	9.00	8.20
06	7.50	10.50	9.70
07	9.00	12.00	11.20
08	10.50	13.50	12.70
09	12.00	15.00	14.20
10	13.50	16.50	15.70
11	15.00	18.00	17.20
12	16.50	19.50	18.70
13	18.00	21.00	20.20
14	19.50	22.50	21.70
15	21.00	24.00	23.20

- ① Series No.
- ② Category: W-water
- ③ Welding Board Angle: V- Straight 180°
- ④ Welding Way: Blank-DIP
- ⑤ Row No.-Pin No.: XX-02P~12P
- ⑥ Plug the Pin & Special No.: K- kink
- ⑦ Material: N0-PA66 94V-0
- ⑧ Planting Category: SN-Bright tin plating
- ⑨ Color: Blank-Natural Color

X1502 W V X-XX K-N0 SN XX
 ① ② ③ ④ ⑤ ⑥ ⑦ ⑧ ⑨

- Specifications :
- Voltage rating: 50V AC / DC
 - Current rating: 1A AC / DC
 - Withstanding voltage: 500V AC/minute
 - Temperature range: -25°C~+85°C
 - Insulation resistance: ≥500MΩ
 - Contact resistance: ≤20mΩ
 - After environmental testing: ≤30mΩ

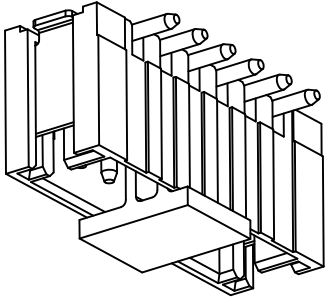
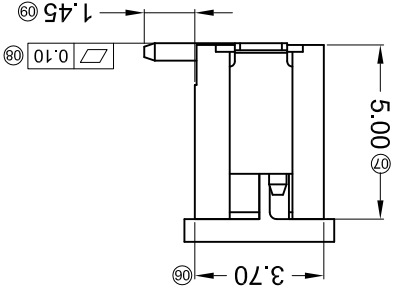
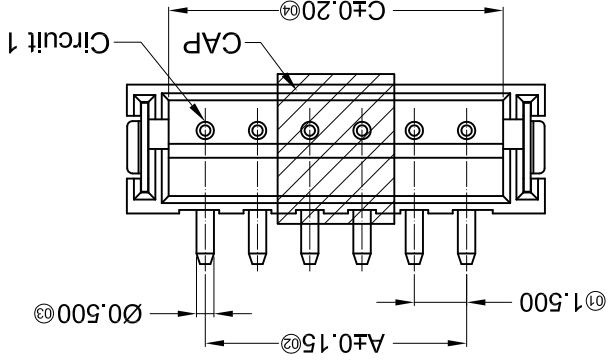
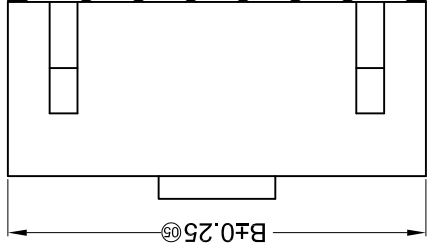
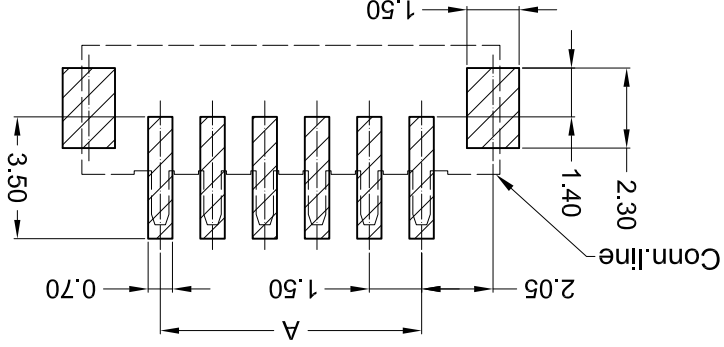
For and on behalf of
KKB INDUSTRIAL PRECISION CO., LIMITED
 香港星洲工業精密有限公司

MARK	DESCRIPTION	DATE	REVISD	APPROVED	UNSPECIFIED TOLERANCES
△ X					L > 63
△ X					16 > L ≤ 63
△ X					4 < L ≤ 16
△ X					L ≤ 4
					ANGULAR
					±5°

REVISIONS
 Authorized Signature(s)

DSND	DATE	SCALE: N/A	MODEL TYPE: X1502WVS-XX-XXSN
DWN	DATE	VIEW:	PART NO.:
CHKD	DATE	UNIT: mm	DWG NO.:
APPD	DATE	SIZE: A4	
		WEIGHT	REVISION
		1.0g	1/1
			AO

Recommended P.C.B Layout
 General Tolerance±0.05



PART NO	Material	Material(Pin)	Finsh(Pin)	Material (Solder Tabs)	Finish (Solder Tabs)	Suitable XKB Terminal
X1502WVS-XX-6TSN	PA9T UL 94V-0	Brass	Tin-Plated	Phosphor Bronze	Tin-Plated	X1502H
X1502WVS-XX-9TSN	PA9T UL 94V-0	Brass	Tin-Plated	Phosphor Bronze	Tin-Plated	X1502H
X1502WVS-XXHF-LPSW	LCP UL 94V-0 Halogen Free	Brass	Tin-Plated	Phosphor Bronze	Tin-Plated	X1502H

Poles	Dimensions(mm)		
	A	B	C
02	1.50	3.60	09
03	3.00	7.50	10
04	4.50	9.00	11
05	6.00	10.50	12
06	7.50	12.00	13
07	9.00	13.50	14
08	10.50	15.00	15

X1502 W V S-XX X-XX SN XX
 ① ② ③ ④ ⑤ ⑥ ⑦ ⑧ ⑨

- ① Series No.
- ② Category: W-water
- ③ Welding Board Angle: V- Straight 180°
- ④ Welding Way: S-SMT
- ⑤ Row No.-Pin No.: XX-02P~15P
- ⑥ Plug the Pin & Special No.:
- ⑦ Material: 6T -PA6T 94V-0 ; 9T- PA9T 94V-0 LP-LCP 94V-0
- ⑧ Plating Category: SN-Bright tin plating
- ⑨ Color: Blank-Natural Color

- Specifications :
- Voltage rating: 50V AC / DC
 - Current rating: 1A AC / DC
 - Withstanding voltage: 500V AC/minute
 - Temperature range: -25°C~+85°C
 - Insulation resistance: ≥500MΩ
 - Contact resistance: ≤20mΩ
 - After environmental testing: ≤30mΩ

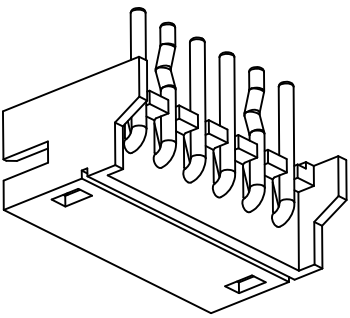
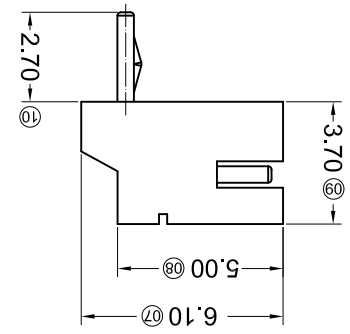
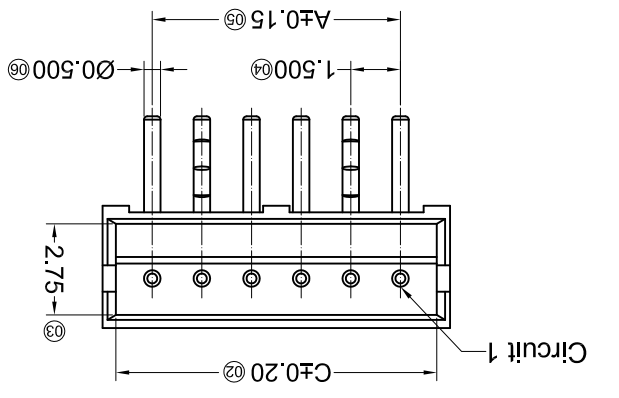
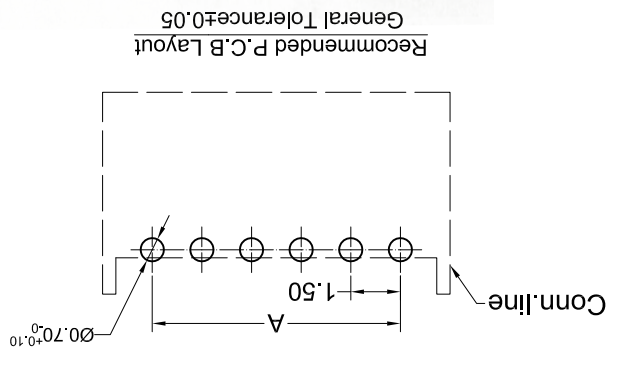
For and on behalf of
XKB INDUSTRIAL PRECISION CO., LIMITED
 香港星坤工業精密有限公司

MARK	DESCRIPTION	DATE	REVISOR	APPROVED	UNSPECIFIED TOLERANCES
△ X					L > 63
△ X					16 < L ≤ 63
△ X					4 < L ≤ 16
△ X					L ≤ 4
					ANGULAR
					± 5°

REVISIONS	DATE	REVISOR	APPROVED	DATE	DESCRIPTION

DSND	DATE	SCALE: N/A	MODEL TYPE: X1502WR-XXK-N0SN

Part No	Material	Material(Pin)	Finish(Pin)	Suitable XKB Terminal
X1502WR-XXK-N0SN	Nylon 66 UL 94V-0	Brass	Tin-Plated	X1502H



Poles	Dimensions(mm)							
	A	B	C	Poles				
02	1.50	4.50	3.70	09	12.00	15.00	14.20	C
03	3.00	6.00	5.20	10	13.50	16.50	15.70	C
04	4.50	7.50	6.70	11	15.00	18.00	17.20	C
05	6.00	9.00	8.20	12	16.50	19.50	18.70	C
06	7.50	10.50	9.70	13	18.00	21.00	20.20	C
07	9.00	12.00	11.20	14	19.50	22.50	21.70	C
08	10.50	13.50	12.70	15	21.00	24.00	23.20	C

- ① Series No.
- ② Category: W-water
- ③ Welding Board Angle: R- Right Angle 90°
- ④ Welding Way: Blank-DIP
- ⑤ Row No.-Pin No.: XX-02P~15P
- ⑥ Plug the Pin & Special No.: K-kink
- ⑦ Material: N0-PA66 94V-0
- ⑧ Plating Category: SN-Bright tin plating
- ⑨ Color: Blank-Natural Color

X1502 W R X-XX K-N0 SN XX
 ① ② ③ ④ ⑤ ⑥ ⑦ ⑧ ⑨

- Specifications :
- Voltage rating: 50V AC / DC
 - Current rating: 1A AC / DC
 - Withstanding voltage: 500V AC/minute
 - Temperature range: -25°C~+85°C
 - Insulation resistance: ≥500MΩ
 - Contact resistance: ≤20mΩ
 - After environmental testing: ≤30mΩ

REVISION	SHEET	WEIGHT
A0	1/1	1.0g

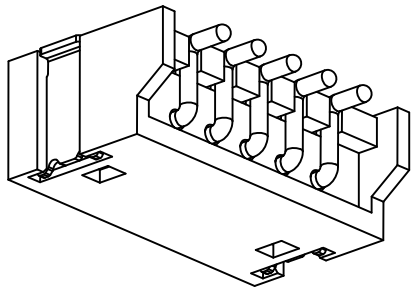
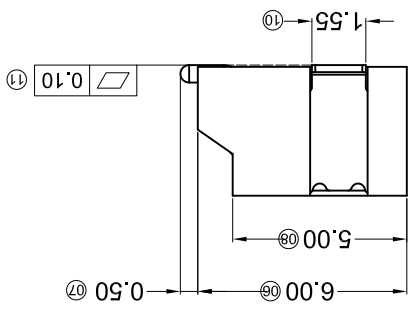
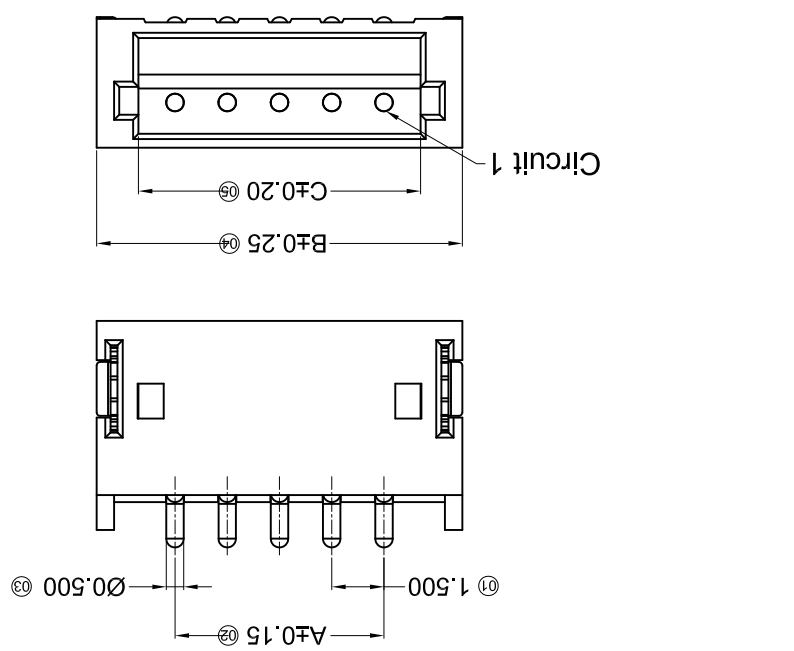
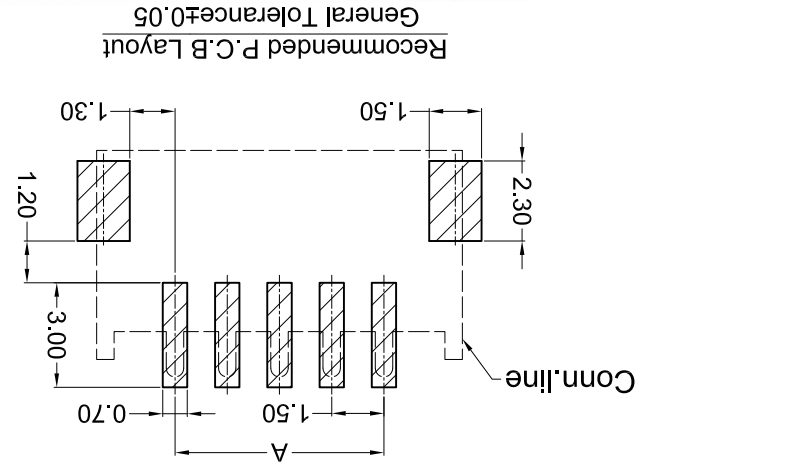
For and on behalf of
XKB INDUSTRIAL PRECISION CO., LIMITED
香港星洲工業精密有限公司

MARK	DESCRIPTION	DATE	REVISED	APPROVED	UNSPECIFIED TOLERANCES
△ X					L > 63 ± 0.5
△ X					16 > L ≤ 63 ± 0.4
△ X					4 < L ≤ 16 ± 0.3
△ X					L ≤ 4 ± 0.2
					ANGULAR ± 5°

Authorized Signatures(s)

REVISION	SHEET	WEIGHT	1/1	1.0g	8
XKB INDUSTRIAL PRECISION CO., LIMITED					7
APPD	DATE	DATE	DATE	DATE	DATE
CHKD	DATE	DATE	DATE	DATE	DATE
DWN	DATE	DATE	DATE	DATE	DATE
DNSD	DATE	DATE	DATE	DATE	DATE

MODEL TYPE: X1502WRS-XX-XXSN	SCALE: N/A	VIEW: ①	UNIT: mm	SIZE: A4
PART NO.:				
1.50mm Crimp Style Connectors				
DWG NO.:				



PART NO	Material	Material(Pin)	Finsh(Pin)	Material (Solder Tabs)	Finish (Solder Tabs)	Suitable XKB Terminal
X1502WRS-XX-6TSN	PA9T UL 94V-0	Brass	Tin-Plated	Phosphor Bronze	Tin-Plated	X1502H
X1502WRS-XX-9TSN	PA9T UL 94V-0	Brass	Tin-Plated	Phosphor Bronze	Tin-Plated	X1502H
X1502WRS-XXHF1.PSW	LCP UL 94V-0 Halogen Free	Brass	Tin-Plated	Phosphor Bronze	Tin-Plated	X1502H

Poles	Dimensions(mm)		
	A	B	C
02	1.50	6.00	3.60
03	3.00	7.50	5.10
04	4.50	9.00	6.60
05	6.00	10.50	8.10
06	7.50	12.00	9.60
07	9.00	13.50	11.10
08	10.50	15.00	12.60

Poles	Dimensions(mm)		
	A	B	C
02	12.00	16.50	16.50
03	13.50	18.00	18.00
04	15.00	19.50	19.50
05	16.50	21.00	21.00
06	18.00	22.50	22.50
07	19.50	24.00	24.00
08	21.00	25.50	25.50

- ① Series No.
② Category: W-water
③ Welding Board Angle: R- Right Angle 90°
④ Welding Way: S-SMT
⑤ Row No.-Pin No.: XX-02P~15P
⑥ Plug the Pin & Special No.:
⑦ Material: 6T -PA6T 94V-0; 9T- PA9T 94V-0 LP-LCP 94V-0
⑧ Plating Category: SN-Bright tin plating
⑨ Color: Blank-Natural Color

- X1502 W R S-XX X-XX SN XX**
① ② ③ ④ ⑤ ⑥ ⑦ ⑧ ⑨
- Specifications :
- Voltage rating: 50V AC / DC
 - Current rating: 1A AC / DC
 - Withstanding voltage: 500V AC/minute
 - Temperature range: -25°C~+85°C
 - Insulation resistance: ≥500MΩ
 - Contact resistance: ≤20mΩ
 - After environmental testing: ≤30mΩ

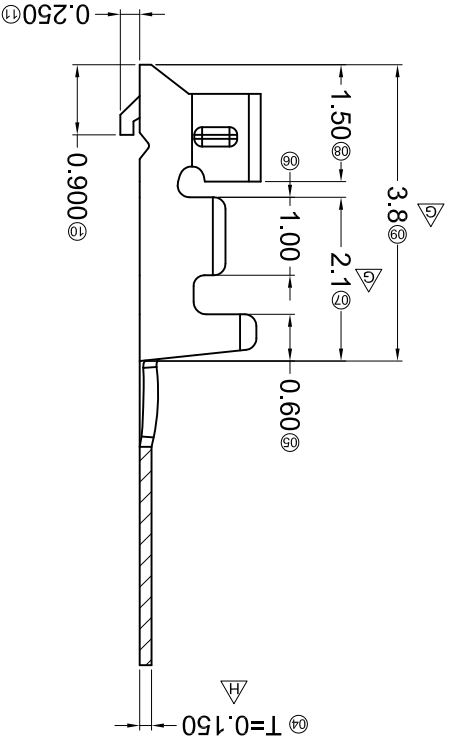
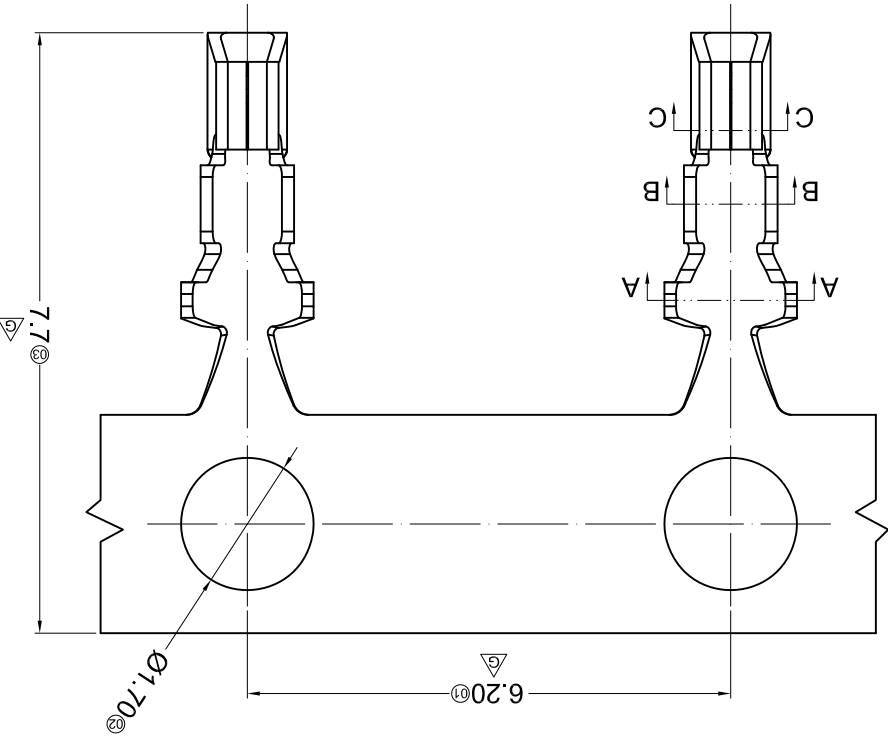
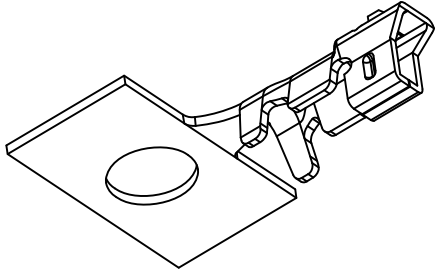
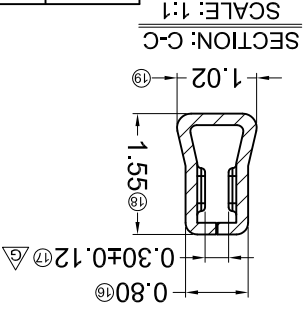
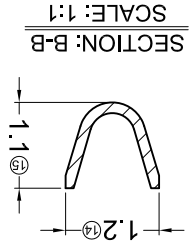
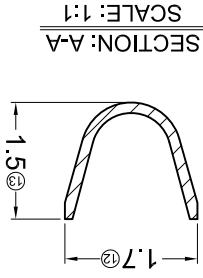
For and on behalf of
XKB INDUSTRIAL PRECISION CO., LIMITED
 香港星坤工業精密有限公司
 Authorized Signatures(s)

MARK	DESCRIPTION	DATE	REVISED	APPROVED	UNSPECIFIED TOLERANCES
△ X					L > 63 ± 0.5
△ X					16 < L ≤ 63 ± 0.4
△ X					4 < L ≤ 16 ± 0.3
△ X					L ≤ 4 ± 0.2
					ANGULAR ± 5°

REVISION	SHEET	WEIGHT	DATE	DATE	DATE	DATE	DATE
A0	1/1	1.0g					

XKB INDUSTRIAL PRECISION CO., LIMITED	SIZE: A4	APPD
1.50mm Crimp Style Connectors	UNIT: mm	CHKD
PART NO.: X1502T-P5N	VIEW:	DWN
MODEL TYPE: X1502T-P5N	SCALE: N/A	DSND

PART NO	Material	Wire Range	Insulation O.D.	Finish	Suitable XKB Terminal
X1502T-P5N	Phosphor Bronze	AWG#26-32	1.20mm(Max)	Stamping Before Plating:30u" MIN. Ni; 70u" MIN. Sn	X1502H



Series Number
 X1502 T X-P SN X - X

- ① Series Number
- ② Category: T-Terminal
- ③ Shape: Blank-ordinary
- ④ Material: P-Phosphor bronze
- ⑤ Plating style: SN-Bright tin plating
- ⑥ Plating method: Blank-Stamping before plating
- ⑦ Mold No./Mark/Special No.

- Specifications :
- Voltage rating: 50V AC / DC
 - Current rating: 1A AC / DC
 - Withstanding voltage: 500V AC/minute
 - Temperature range: -25°C~+85°C
 - Insulation resistance: ≥500MΩ
 - Contact resistance: ≤20mΩ
 - After environmental testing: ≤30mΩ

For and on behalf of
XKB INDUSTRIAL PRECISION CO., LIMITED
 香港星坤工業精密有限公司

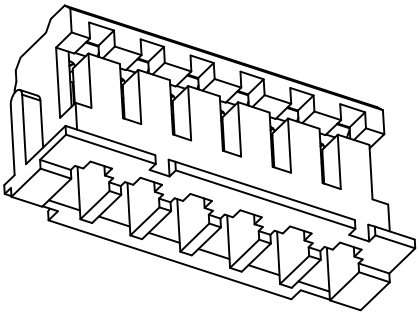
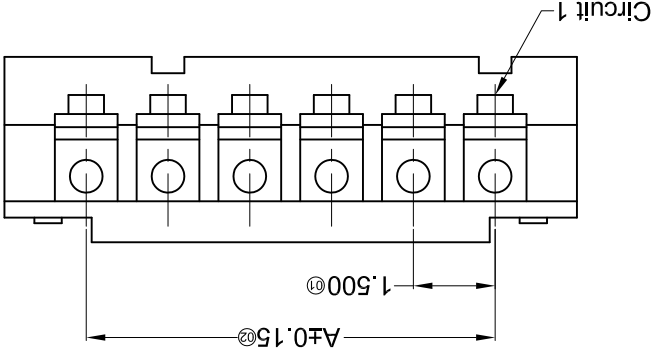
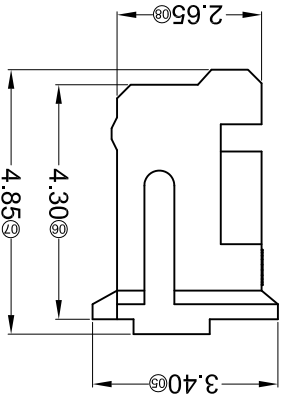
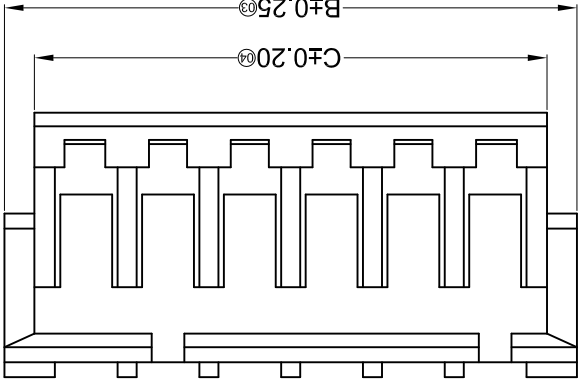
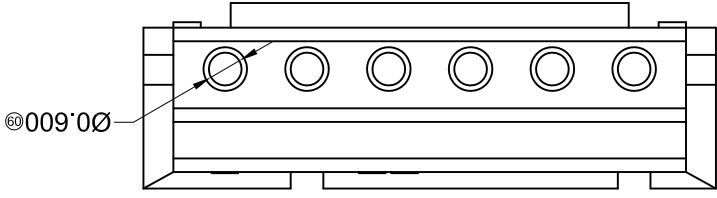
MARK	DESCRIPTION	DATE	REVISED	APPROVED	UNSPECIFIED TOLERANCES
△ X					L > 63
△ X					16 > L ≤ 63
△ X					L ≤ 16
					L ≤ 4
					ANGULAR
					±5°

REVISIONS	Authorized Signature(s)	
DATE	APPROVED	REVISIONS
DATE	APPROVED	UNSPECIFIED TOLERANCES

DSND	DATE	SCALE: N/A	MODEL TYPE: X1502H-XX-N0
DWN	DATE	VIEW:	PART NO.: 1.50mm Crimp Style Connectors
CHKD	DATE	UNIT: mm	DWG NO.:
APPD	DATE	SIZE: A4	
WEIGHT	SHEET	REVISION	
1.0g	1/1	A0	

PART NO	Material	Suitable XKB Terminal
X1502H-XX-N0	PA66 UL 94V-0	Suitable XKB Terminal
X1502W		Suitable XKB Terminal

Poles	Dimensions(mm)		
	A	B	C
02	1.50	4.50	3.40
03	3.00	6.00	4.90
04	4.50	7.50	6.40
05	6.00	9.00	7.90
06	7.50	10.50	9.40
07	9.00	12.00	10.90
08	10.50	13.50	12.40



- ① Series No.
- ② Category: H-HSG
- ③ Welding Board Angle: Blank-ordinary
- ④ Row No.-Pin No.: XX-02P~15P
- ⑤ Plug the Pin & special No.:
- ⑥ Material: N0-PA66 94V-0
- ⑦ Color: Blank-natural color

X1502 H X-XX X-N0 XX
 ① ② ③ ④ ⑤ ⑥ ⑦

- Voltage rating: 50V AC / DC
- Current rating: 1A AC / DC
- Withstanding voltage: 500V AC/minute
- Temperature range: -25°C~+85°C
- Insulation resistance: ≥500MΩ
- Contact resistance: ≤20mΩ
- After environmental testing: ≤30mΩ

■ Specifications :

X-ON Electronics

Largest Supplier of Electrical and Electronic Components

Click to view similar products for [Headers & Wire Housings](#) category:

Click to view products by [XKB](#) manufacturer:

Other Similar products are found below :

[95000-104TRLF](#) [10135584-644402LF](#) [DF62W-EP2022PCA](#) [95000-106TRLF](#) [DF62W-2022SCA](#) [DF62W-EP2022PC](#) [2203348](#) [DF62W-2022SC](#) [1084018](#) [1029039](#) [1084017](#) [802-10-012-10-002000](#) [1112640](#) [1112639](#) [891-007-9SS-BST1T](#) [000-34000](#) [0008550134](#) [0009482033](#) [0009507031](#) [57102-F02-18ULF](#) [57102-S06-03LF](#) [57202-S52-04LF](#) [PCN6-15S-2.5E](#) [0039019024](#) [58102-G61-06LF](#) [582553-1](#) [0009485154](#) [0009508121](#) [0022285053](#) [0050291907](#) [018731A](#) [LY20-4P-DT1-P1E-BR](#) [02.125.8002.8](#) [60101931](#) [60598-1 \(Cut Strip\)](#) [M1625-3R/100](#) [61062-3](#) [61082-181009](#) [CSU011177004](#) [636-1427](#) [638009-1](#) [641938-9](#) [641991-4](#) [644168-1](#) [644827-2](#) [647662-1](#) [65039-019ELF](#) [65692-001LF](#) [65781-018](#) [65781-047](#)