

For and on behalf of  
**XKB INDUSTRIAL PRECISION CO., LIMITED**  
 香港星坤工業精密有限公司

REVISIONS  
 Authorized Signatures(s)

| MARK | DESCRIPTION | DATE | REVISED | APPROVED | UNSPECIFIED TOLERANCES |
|------|-------------|------|---------|----------|------------------------|
| △ X  |             |      |         |          | L > 63<br>± 0.5        |
| △ X  |             |      |         |          | 16 < L ≤ 63<br>± 0.4   |
| △ X  |             |      |         |          | 4 < L ≤ 16<br>± 0.3    |
| △ X  |             |      |         |          | L ≤ 4<br>± 0.2         |
|      |             |      |         |          | ANGULAR<br>± 5°        |

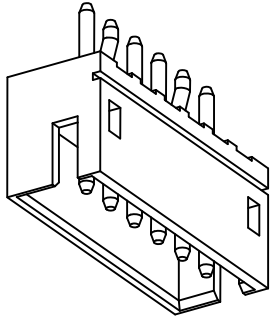
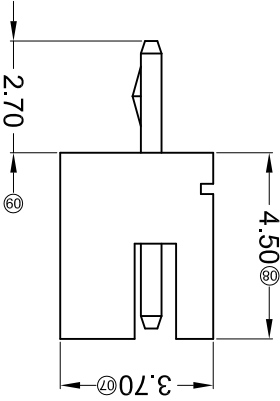
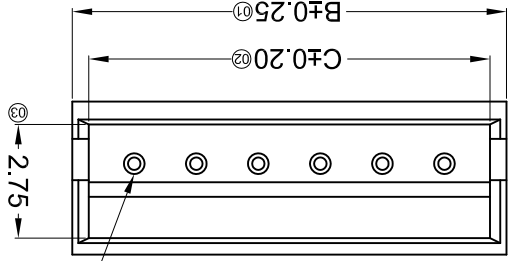
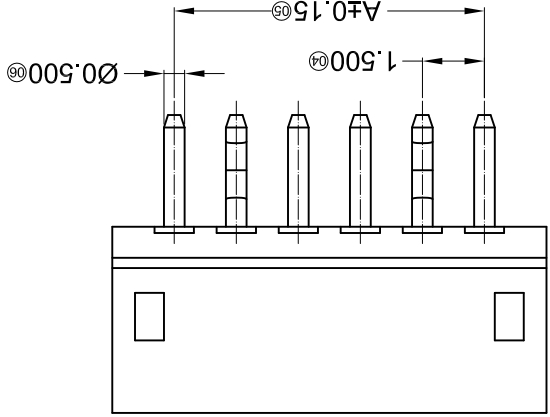
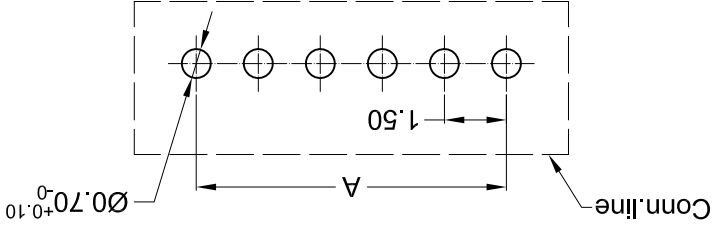
| REVISION | SHEET | WEIGHT | SIZE: A4 | DATE | DATE | DATE | DATE |
|----------|-------|--------|----------|------|------|------|------|
| A0       | 1/1   | 1.0g   |          |      |      |      |      |

**XKB INDUSTRIAL PRECISION CO., LIMITED**

| APPD | CHKD | DWN | DSND |
|------|------|-----|------|
|      |      |     |      |
|      |      |     |      |
|      |      |     |      |

UNIT: mm  
 VIEW:   
 PART NO.:  
 DWG NO.:  
 MODEL TYPE: X1502WV-XXK-N0SN  
 SCALE: N/A

Recommended P.C.B Layout  
 General Tolerance ± 0.05



| PART NO          | Material          | Material(Pin) | Finish(Pin) | Suitable XKB Terminal |
|------------------|-------------------|---------------|-------------|-----------------------|
| X1502WV-XXK-N0SN | Nylon 66 UL 94V-0 | Brass         | Tin-Plated  | X1502H                |

| Poles | Dimensions(mm) |       |       |
|-------|----------------|-------|-------|
|       | A              | B     | C     |
| 02    | 1.50           | 4.50  | 3.70  |
| 03    | 3.00           | 6.00  | 5.20  |
| 04    | 4.50           | 7.50  | 6.70  |
| 05    | 6.00           | 9.00  | 8.20  |
| 06    | 7.50           | 10.50 | 9.70  |
| 07    | 9.00           | 12.00 | 11.20 |
| 08    | 10.50          | 13.50 | 12.70 |
| 09    | 12.00          | 15.00 | 14.20 |
| 10    | 13.50          | 16.50 | 15.70 |
| 11    | 15.00          | 18.00 | 17.20 |
| 12    | 16.50          | 19.50 | 18.70 |
| 13    | 18.00          | 21.00 | 20.20 |
| 14    | 19.50          | 22.50 | 21.70 |
| 15    | 21.00          | 24.00 | 23.20 |

- ① Series No.
- ② Category: W-water
- ③ Welding Board Angle: V- Straight 180°
- ④ Welding Way: Blank-DIP
- ⑤ Row No.-Pin No.: XX-02P~12P
- ⑥ Plug the Pin & Special No.: K- kink
- ⑦ Material: N0-PA66 94V-0
- ⑧ Planting Category: SN-Bright tin plating
- ⑨ Color: Blank-Natural Color

X1502 W V X-XX K-N0 SN XX  
 ① ② ③ ④ ⑤ ⑥ ⑦ ⑧ ⑨

- Voltage rating: 50V AC / DC
- Current rating: 1A AC / DC
- Withstanding voltage: 500V AC/minute
- Temperature range: -25°C~+85°C
- Insulation resistance: ≥500MΩ
- Contact resistance: ≤20mΩ
- After environmental testing: ≤30mΩ

■ Specifications :

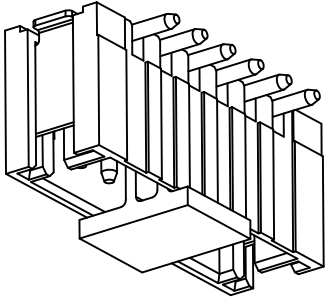
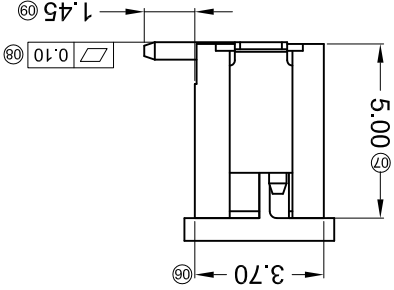
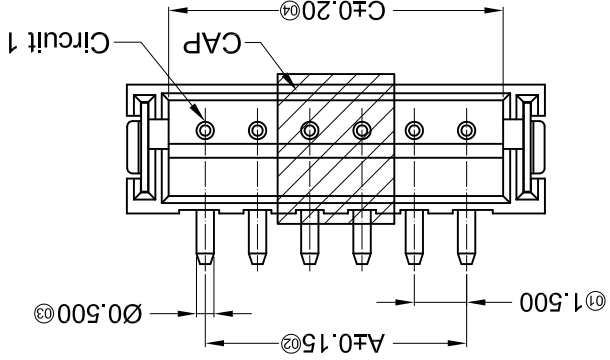
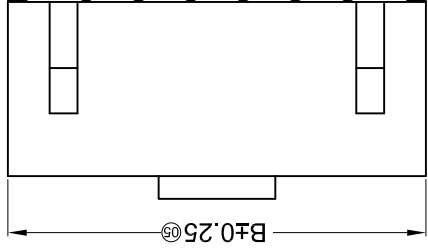
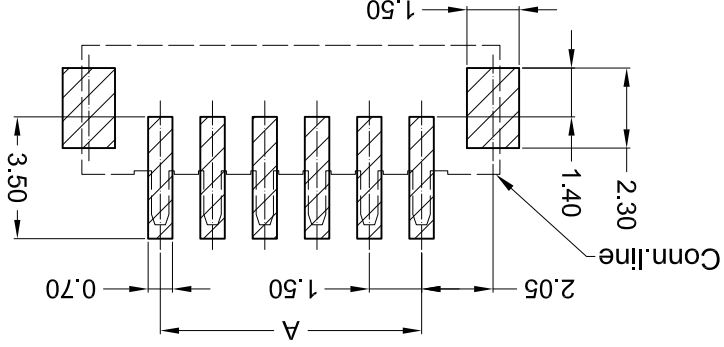
For and on behalf of  
**KKB INDUSTRIAL PRECISION CO., LIMITED**  
 香港星洲工業精密有限公司

| MARK | DESCRIPTION | DATE | REVISD | APPROVED | UNSPECIFIED TOLERANCES |
|------|-------------|------|--------|----------|------------------------|
| △ X  |             |      |        |          | L > 63                 |
| △ X  |             |      |        |          | 16 > L ≤ 63            |
| △ X  |             |      |        |          | 4 < L ≤ 16             |
| △ X  |             |      |        |          | L ≤ 4                  |
|      |             |      |        |          | ANGULAR                |
|      |             |      |        |          | ±5°                    |

REVISIONS  
 Authorized Signature(s)

|      |      |            |                              |
|------|------|------------|------------------------------|
| DSND | DATE | SCALE: N/A | MODEL TYPE: X1502WVS-XX-XXSN |
| DWN  | DATE | VIEW:      | PART NO.:                    |
| CHKD | DATE | UNIT: mm   | DWG NO.:                     |
| APPD | DATE | SIZE: A4   |                              |
|      |      | WEIGHT     | REVISION                     |
|      |      | 1.0g       | 1/1                          |
|      |      |            | AO                           |

Recommended P.C.B Layout  
 General Tolerance±0.05



| PART NO            | Material                  | Material(Pin) | Finsh(Pin) | Material (Solder Tabs) | Finish (Solder Tabs) | Suitable XKB Terminal |
|--------------------|---------------------------|---------------|------------|------------------------|----------------------|-----------------------|
| X1502WVS-XX-6TSN   | PA9T UL 94V-0             | Brass         | Tin-Plated | Phosphor Bronze        | Tin-Plated           | X1502H                |
| X1502WVS-XX-9TSN   | PA9T UL 94V-0             | Brass         | Tin-Plated | Phosphor Bronze        | Tin-Plated           | X1502H                |
| X1502WVS-XXHF-LPSW | LCP UL 94V-0 Halogen Free | Brass         | Tin-Plated | Phosphor Bronze        | Tin-Plated           | X1502H                |

| Poles | Dimensions(mm) |       |       | Poles | Dimensions(mm) |       |       |
|-------|----------------|-------|-------|-------|----------------|-------|-------|
|       | A              | B     | C     |       | A              | B     | C     |
| 02    | 1.50           | 3.00  | 6.00  | 09    | 12.00          | 16.50 | 14.10 |
| 03    | 3.00           | 7.50  | 5.10  | 10    | 13.50          | 18.00 | 15.60 |
| 04    | 4.50           | 9.00  | 6.60  | 11    | 15.00          | 19.50 | 17.10 |
| 05    | 6.00           | 10.50 | 8.10  | 12    | 16.50          | 21.00 | 18.60 |
| 06    | 7.50           | 12.00 | 9.60  | 13    | 18.00          | 22.50 | 20.10 |
| 07    | 9.00           | 13.50 | 11.10 | 14    | 19.50          | 24.00 | 21.60 |
| 08    | 10.50          | 15.00 | 12.60 | 15    | 21.00          | 25.50 | 23.10 |

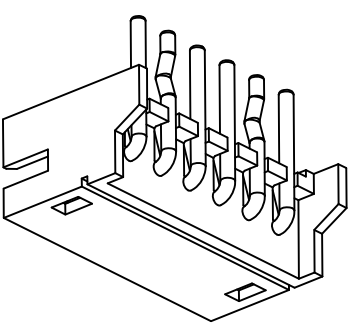
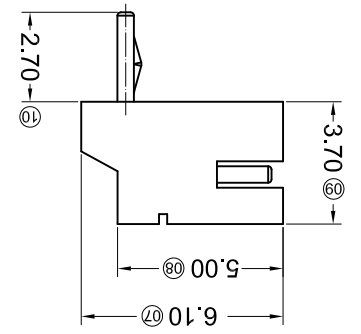
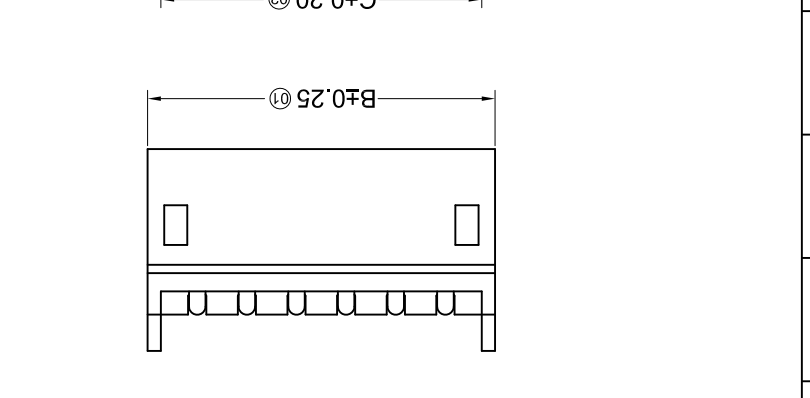
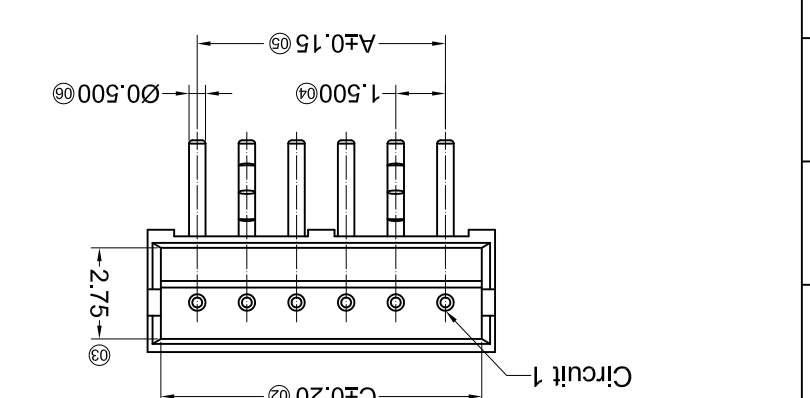
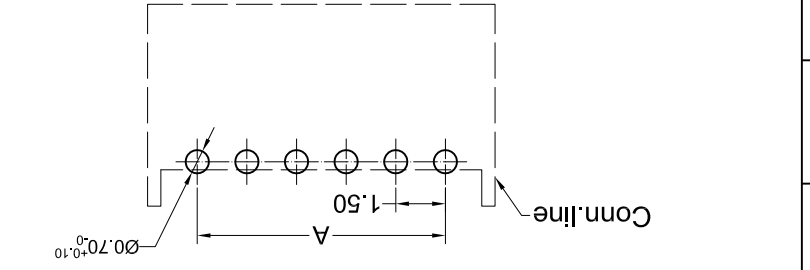
X1502 W V S-XX X-XX SN XX  
 ① ② ③ ④ ⑤ ⑥ ⑦ ⑧ ⑨

- ① Series No.
- ② Category: W-water
- ③ Welding Board Angle: V- Straight 180°
- ④ Welding Way: S-SMT
- ⑤ Row No.-Pin No.: XX-02P~15P
- ⑥ Plug the Pin & Special No.:
- ⑦ Material: 6T -PA6T 94V-0 ; 9T- PA9T 94V-0 LP-LCP 94V-0
- ⑧ Plating Category: SN-Bright tin plating
- ⑨ Color: Blank-Natural Color

- Specifications :
- Voltage rating: 50V AC / DC
  - Current rating: 1A AC / DC
  - Withstanding voltage: 500V AC/minute
  - Temperature range: -25°C~+85°C
  - Insulation resistance: ≥500MΩ
  - Contact resistance: ≤20mΩ
  - After environmental testing: ≤30mΩ

|                        |  |             |  |             |  |             |  |             |  |             |  |
|------------------------|--|-------------|--|-------------|--|-------------|--|-------------|--|-------------|--|
| REVISIONS              |  | APPROVED    |  | REVISOR     |  | DATE        |  | DESCRIPTION |  | MARK        |  |
| UNSPECIFIED TOLERANCES |  | L > 63      |  | L > 63      |  | L > 63      |  | L > 63      |  | L > 63      |  |
| L > 63                 |  | 16 < L ≤ 63 |  | 16 < L ≤ 63 |  | 16 < L ≤ 63 |  | 16 < L ≤ 63 |  | 16 < L ≤ 63 |  |
| L ≤ 4                  |  | 4 < L ≤ 16  |  | 4 < L ≤ 16  |  | 4 < L ≤ 16  |  | 4 < L ≤ 16  |  | 4 < L ≤ 16  |  |
| L ≤ 4                  |  | L ≤ 4       |  | L ≤ 4       |  | L ≤ 4       |  | L ≤ 4       |  | L ≤ 4       |  |
| ANGULAR                |  | ANGULAR     |  | ANGULAR     |  | ANGULAR     |  | ANGULAR     |  | ANGULAR     |  |
| ±5°                    |  | ±5°         |  | ±5°         |  | ±5°         |  | ±5°         |  | ±5°         |  |

For and on behalf of  
**KXB INDUSTRIAL PRECISION CO., LIMITED**  
 香港星坤工業精密有限公司



| PART NO          | Material          | Material(Pin) | Finish(Pin) | Suitable XKB Terminal |
|------------------|-------------------|---------------|-------------|-----------------------|
| X1502WR-XXK-N0SN | Nylon 66 UL 94V-0 | Brass         | Tin-Plated  | Suitable XKB Terminal |

| Poles | Dimensions(mm) |       |       |       |       |       |       |   |
|-------|----------------|-------|-------|-------|-------|-------|-------|---|
|       | A              | B     | C     | Poles | A     | B     | C     | C |
| 02    | 1.50           | 4.50  | 3.70  | 09    | 12.00 | 15.00 | 14.20 |   |
| 03    | 3.00           | 6.00  | 5.20  | 10    | 13.50 | 16.50 | 15.70 |   |
| 04    | 4.50           | 7.50  | 6.70  | 11    | 15.00 | 18.00 | 17.20 |   |
| 05    | 6.00           | 9.00  | 8.20  | 12    | 16.50 | 19.50 | 18.70 |   |
| 06    | 7.50           | 10.50 | 9.70  | 13    | 18.00 | 21.00 | 20.20 |   |
| 07    | 9.00           | 12.00 | 11.20 | 14    | 19.50 | 22.50 | 21.70 |   |
| 08    | 10.50          | 13.50 | 12.70 | 15    | 21.00 | 24.00 | 23.20 |   |

- ① Series No.
- ② Category: W-water
- ③ Welding Board Angle: R- Right Angle 90°
- ④ Welding Way: Blank-DIP
- ⑤ Row No.-Pin No.: XX-02P~15P
- ⑥ Plug the Pin & Special No.: K-kink
- ⑦ Material: N0-PA66 94V-0
- ⑧ Plating Category: SN-Bright tin plating
- ⑨ Color: Blank-Natural Color

X1502 W R X-XX K-N0 SN XX  
 ① ② ③ ④ ⑤ ⑥ ⑦ ⑧ ⑨

- Specifications :
- Voltage rating: 50V AC / DC
- Current rating: 1A AC / DC
- Withstanding voltage: 500V AC/minute
- Temperature range: -25°C~+85°C
- Insulation resistance: ≥500MΩ
- Contact resistance: ≤20mΩ
- After environmental testing: ≤30mΩ

|      |                               |                              |
|------|-------------------------------|------------------------------|
| DATE | SCALE: N/A                    | MODEL TYPE: X1502WR-XXK-N0SN |
| DATE | VIEW:                         | PART NO.:                    |
| DATE | UNIT: mm                      | DWG NO.:                     |
| DATE | SIZE: A4                      | REVISION                     |
| DATE | WEIGHT: 1.0g                  | SHEET: 1/1                   |
| DATE | 1.50mm Crimp Style Connectors | AO                           |

**KXB INDUSTRIAL PRECISION CO., LIMITED**

For and on behalf of  
**XKB INDUSTRIAL PRECISION CO., LIMITED**  
 香港星洲工業精密有限公司  
 Revisions Authorized Signatures(s)

| MARK | DESCRIPTION | DATE | REVISED | APPROVED | UNSPECIFIED TOLERANCES |
|------|-------------|------|---------|----------|------------------------|
| △ X  |             |      |         |          | L > 63                 |
| △ X  |             |      |         |          | 16 > L ≤ 63            |
| △ X  |             |      |         |          | 4 < L ≤ 16             |
| △ X  |             |      |         |          | L ≤ 4                  |
|      |             |      |         |          | ANGULAR                |
|      |             |      |         |          | ± 5°                   |

| REVISION | SHEET | WEIGHT | SIZE: A4 |
|----------|-------|--------|----------|
| A0       | 1/1   | 1.0g   |          |

| DATE | DATE | DATE | DATE |
|------|------|------|------|
|      |      |      |      |

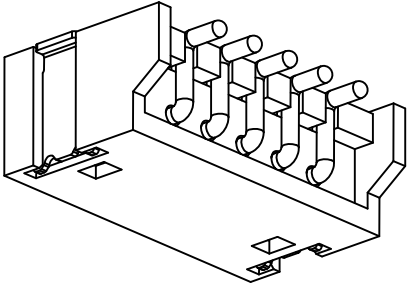
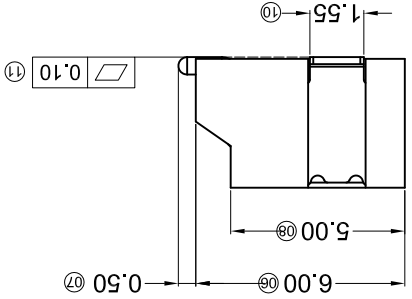
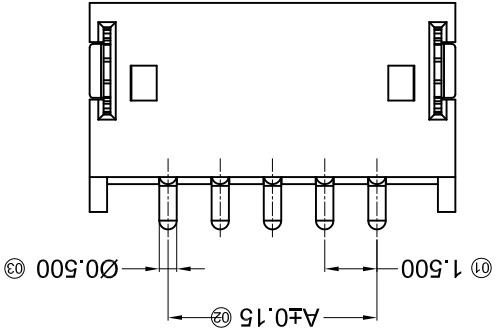
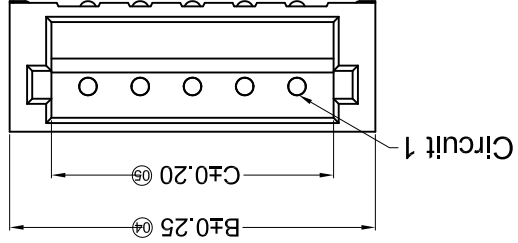
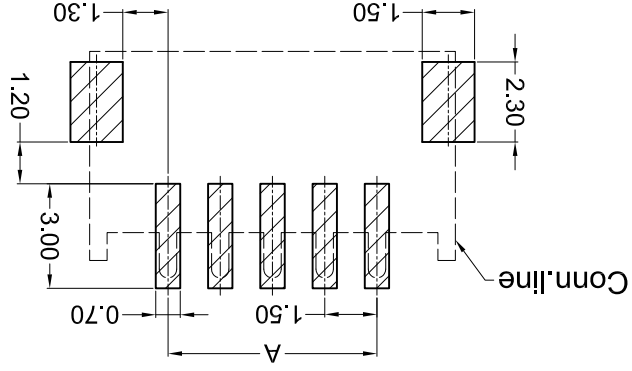
| DATE | DATE | DATE | DATE |
|------|------|------|------|
|      |      |      |      |

| DATE | DATE | DATE | DATE |
|------|------|------|------|
|      |      |      |      |

| SCALE: N/A | VIEW: | UNIT: mm | PART NO.: |
|------------|-------|----------|-----------|
|            |       |          |           |

| MODEL TYPE:      | 1.50mm Crimp Style Connectors |
|------------------|-------------------------------|
| X1502WRS-XX-XXSN |                               |

Recommended P.C.B Layout  
 General Tolerance ±0.05



| PART NO            | Material                  | Material(Pin) | Finsh(Pin) | Material (Solder Tabs) | Finish (Solder Tabs) | Suitable XKB Terminal |
|--------------------|---------------------------|---------------|------------|------------------------|----------------------|-----------------------|
| X1502WRS-XX-6TSN   | PA9T UL 94V-0             | Brass         | Tin-Plated | Phosphor Bronze        | Tin-Plated           | X1502H                |
| X1502WRS-XX-9TSN   | PA9T UL 94V-0             | Brass         | Tin-Plated | Phosphor Bronze        | Tin-Plated           | X1502H                |
| X1502WRS-XXHF1.PSW | LCP UL 94V-0 Halogen Free | Brass         | Tin-Plated | Phosphor Bronze        | Tin-Plated           | X1502H                |

| Poles | Dimensions(mm) |       |       |
|-------|----------------|-------|-------|
|       | A              | B     | C     |
| 02    | 1.50           | 6.00  | 3.60  |
| 03    | 3.00           | 7.50  | 5.10  |
| 04    | 4.50           | 9.00  | 6.60  |
| 05    | 6.00           | 10.50 | 8.10  |
| 06    | 7.50           | 12.00 | 9.60  |
| 07    | 9.00           | 13.50 | 11.10 |
| 08    | 10.50          | 15.00 | 12.60 |

| Poles | Dimensions(mm) |       |       |
|-------|----------------|-------|-------|
|       | A              | B     | C     |
| 02    | 12.00          | 16.50 | 16.50 |
| 03    | 13.50          | 18.00 | 17.10 |
| 04    | 15.00          | 19.50 | 18.60 |
| 05    | 16.50          | 21.00 | 20.10 |
| 06    | 18.00          | 22.50 | 21.60 |
| 07    | 19.50          | 24.00 | 23.10 |
| 08    | 21.00          | 25.50 | 24.60 |

Series No. ①  
 Category: W-wafer ②  
 Welding Board Angle: R- Right Angle 90° ③  
 Welding Way: S-SMT ④  
 Row No.-Pin No.: XX-02P~15P ⑤  
 Plug the Pin & Special No.: ⑥  
 Material: 6T -PA6T 94V-0; 9T -PA9T 94V-0 LP-LCP 94V-0 ⑦  
 Plating Category: SN-Bright tin plating ⑧  
 Color: Blank-Natural Color ⑨

- Specifications :
- Voltage rating: 50V AC / DC
  - Current rating: 1A AC / DC
  - Withstanding voltage: 500V AC/minute
  - Temperature range: -25°C~+85°C
  - Insulation resistance: ≥500MΩ
  - Contact resistance: ≤20mΩ
  - After environmental testing: ≤30mΩ

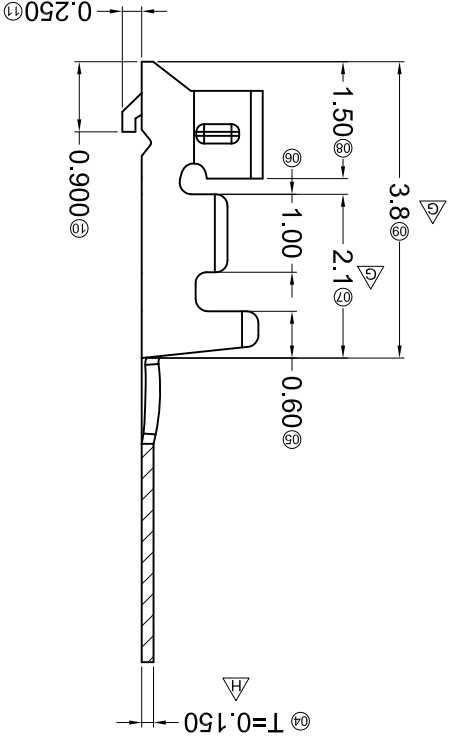
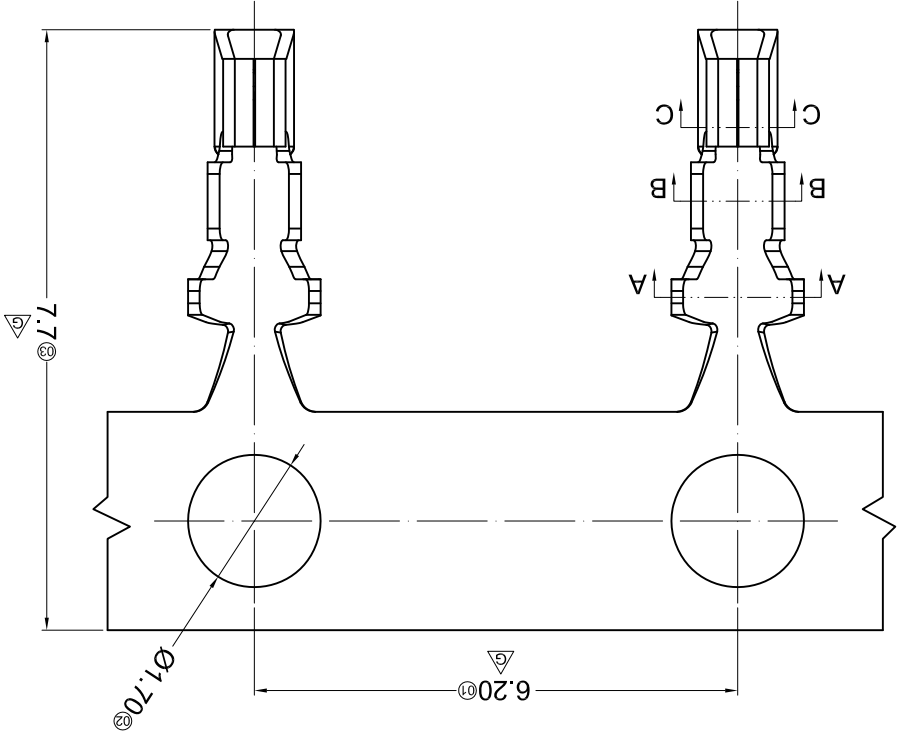
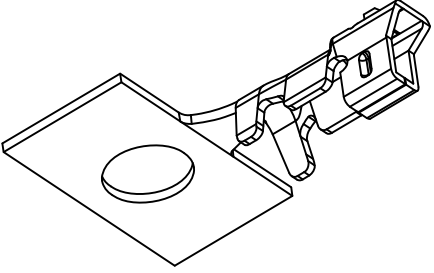
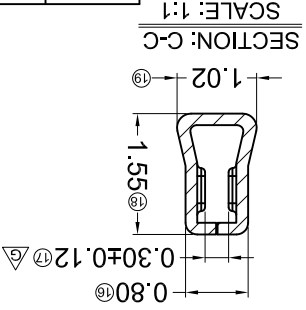
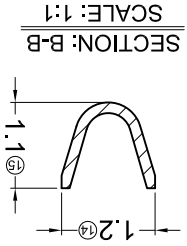
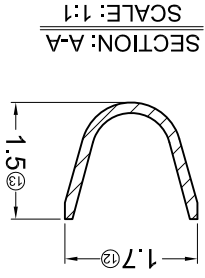
For and on behalf of  
**XKB INDUSTRIAL PRECISION CO., LIMITED**  
 香港星坤工業精密有限公司  
 Authorized Signatures(s)

| MARK | DESCRIPTION | DATE | REVISED | APPROVED | UNSPECIFIED TOLERANCES |
|------|-------------|------|---------|----------|------------------------|
| △ X  |             |      |         |          | L > 63                 |
| △ X  |             |      |         |          | 16 < L ≤ 63            |
| △ X  |             |      |         |          | 4 < L ≤ 16             |
| △ X  |             |      |         |          | L ≤ 4                  |
|      |             |      |         |          | ANGULAR                |
|      |             |      |         |          | ±5°                    |

| REVISION | SHEET | WEIGHT | DATE | DATE | DATE | DATE | DATE |
|----------|-------|--------|------|------|------|------|------|
| A0       | 1/1   | 1.0g   |      |      |      |      |      |

|  |            |      |
|--|------------|------|
| <b>XKB INDUSTRIAL PRECISION CO., LIMITED</b> | SIZE: A4   | APPD |
| 1.50mm Crimp Style Connectors                | UNIT: mm   | CHKD |
| PART NO.: X1502T-PSN                         | VIEW:      | DWN  |
| MODEL TYPE: X1502T-PSN                       | SCALE: N/A | DSND |

| PART NO    | Material        | Wire Range | Insulation O.D. | Finish   | Suitable XKB Terminal |
|------------|-----------------|------------|-----------------|--|-----------------------|
| X1502T-PSN | Phosphor Bronze | AWG#26-32  | 1.20mm(Max)     | Stamping Before Plating:30u" MIN. Ni; 70u" MIN. Sn | X1502H                |



Series Number  
 X1502 T X-P SN X - X

① Category: T-Terminal

② Shape: Blank-ordinary

③ Material: P-Phosphor bronze

④ Plating style: SN-Bright tin plating

⑤ Plating method: Blank-Stamping before plating

⑥ Mold No./Mark/Special No.

- Specifications :
- Voltage rating: 50V AC / DC
  - Current rating: 1A AC / DC
  - Withstanding voltage: 500V AC/minute
  - Temperature range: -25°C~+85°C
  - Insulation resistance: ≥500MΩ
  - Contact resistance: ≤20mΩ
  - After environmental testing: ≤30mΩ

For and on behalf of  
**XKB INDUSTRIAL PRECISION CO., LIMITED**  
 香港星坤工業精密有限公司

| MARK | DESCRIPTION | DATE | REVISED | APPROVED | UNSPECIFIED TOLERANCES |
|------|-------------|------|---------|----------|------------------------|
| △ X  |             |      |         |          | L > 63                 |
| △ X  |             |      |         |          | 16 > L ≤ 63            |
| △ X  |             |      |         |          | L ≤ 16                 |
|      |             |      |         |          | L ≤ 4                  |
|      |             |      |         |          | ANGULAR                |
|      |             |      |         |          | ±5°                    |

| REVISIONS | DATE | APPROVED | UNSPECIFIED TOLERANCES |
|-----------|------|----------|------------------------|
|           |      |          | L > 63                 |
|           |      |          | 16 > L ≤ 63            |
|           |      |          | L ≤ 16                 |
|           |      |          | L ≤ 4                  |
|           |      |          | ANGULAR                |
|           |      |          | ±5°                    |

| REVISION | SHEET | WEIGHT | 1.0g |
|----------|-------|--------|------|
| A0       | 1/1   |        |      |

| DSND | DATE | SCALE: N/A | MODEL TYPE: X1502H-XX-N0 |
|------|------|------------|--------------------------|
|      |      |            |                          |

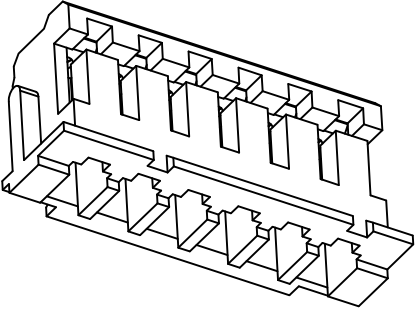
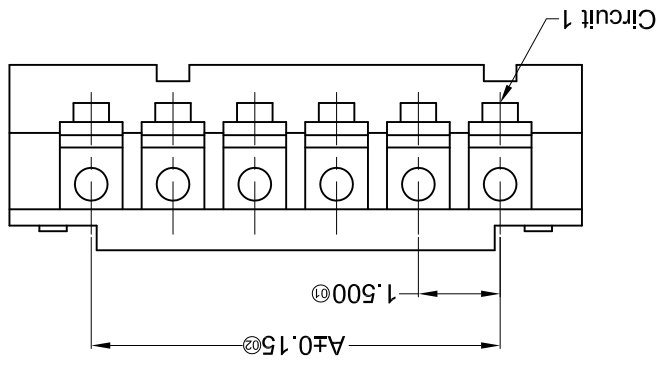
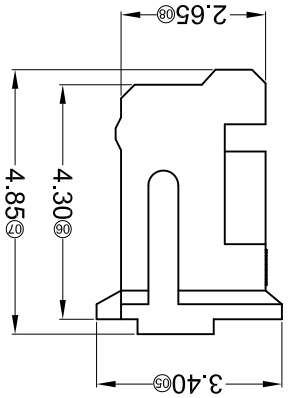
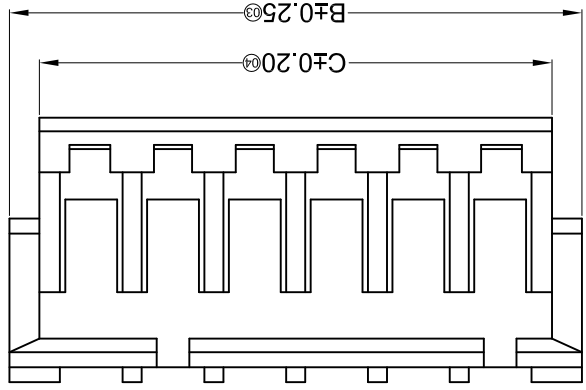
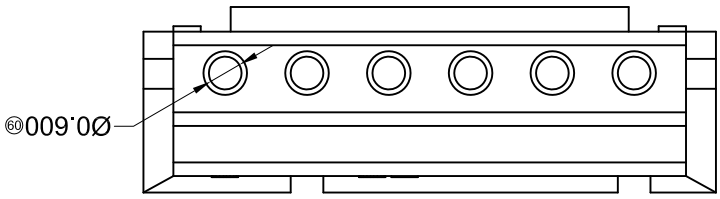
| DWN | DATE | VIEW: | PART NO.: 1.50mm Crimp Style Connectors |
|-----|------|-------|---|
|     |      |       |   |

| CHKD | DATE | UNIT: mm | DWG NO.: |
|------|------|----------|----------|
|      |      |          |          |

| APPD | DATE | SIZE: A4 |
|------|------|----------|
|      |      |          |

| PART NO      | Material      | Suitable XKB Terminal | Suitable XKB Terminal |
|--------------|---------------|-----------------------|-----------------------|
| X1502H-XX-N0 | PA66 UL 94V-0 | X1502T                | X1502W                |

| Poles | A     | B     | C     | Dimensions(mm) |
|-------|-------|-------|-------|----------------|
| 02    | 1.50  | 4.50  | 3.40  | 12.00          |
| 03    | 3.00  | 6.00  | 4.90  | 13.50          |
| 04    | 4.50  | 7.50  | 6.40  | 15.00          |
| 05    | 6.00  | 9.00  | 7.90  | 16.50          |
| 06    | 7.50  | 10.50 | 9.40  | 18.00          |
| 07    | 9.00  | 12.00 | 10.90 | 19.50          |
| 08    | 10.50 | 13.50 | 12.40 | 21.00          |



- ① Series No.
- ② Category: H-HSG
- ③ Welding Board Angle: Blank-ordinary
- ④ Row No.-Pin No.: XX-02P~15P
- ⑤ Plug the Pin & special No.:
- ⑥ Material: N0-PA66 94V-0
- ⑦ Color: Blank-natural color

X1502 H X-XX X-N0 XX  
 ① ② ③ ④ ⑤ ⑥ ⑦

- Specifications :
- Voltage rating: 50V AC / DC
  - Current rating: 1A AC / DC
  - Withstanding voltage: 500V AC/minute
  - Temperature range: -25°C~+85°C
  - Insulation resistance: ≥500MΩ
  - Contact resistance: ≤20mΩ
  - After environmental testing: ≤30mΩ

## X-ON Electronics

Largest Supplier of Electrical and Electronic Components

*Click to view similar products for [Headers & Wire Housings](#) category:*

*Click to view products by [XKB](#) manufacturer:*

Other Similar products are found below :

[95000-104TRLF](#) [10135584-644402LF](#) [DF62W-EP2022PCA](#) [95000-106TRLF](#) [DF62W-2022SCA](#) [DF62W-EP2022PC](#) [2203348](#) [DF62W-2022SC](#) [1084018](#) [1029039](#) [1084017](#) [802-10-012-10-002000](#) [1112640](#) [1112639](#) [891-007-9SS-BST1T](#) [000-34000](#) [0008550134](#) [0009482033](#) [0009507031](#) [57102-F02-18ULF](#) [57102-S06-03LF](#) [57202-S52-04LF](#) [PCN6-15S-2.5E](#) [0039019024](#) [58102-G61-06LF](#) [582553-1](#) [0009485154](#) [0009508121](#) [0022285053](#) [0050291907](#) [018731A](#) [LY20-4P-DT1-P1E-BR](#) [02.125.8002.8](#) [60101931](#) [60598-1 \(Cut Strip\)](#) [M1625-3R/100](#) [61062-3](#) [61082-181009](#) [CSU011177004](#) [636-1427](#) [638009-1](#) [641938-9](#) [641991-4](#) [644168-1](#) [644827-2](#) [647662-1](#) [65039-019ELF](#) [65692-001LF](#) [65781-018](#) [65781-047](#)