

For and on behalf of  
**KRB INDUSTRIAL PRECISION CO., LIMITED**  
 香港星坤工業精密有限公司

Revisions  
 (Authorized Signatures)

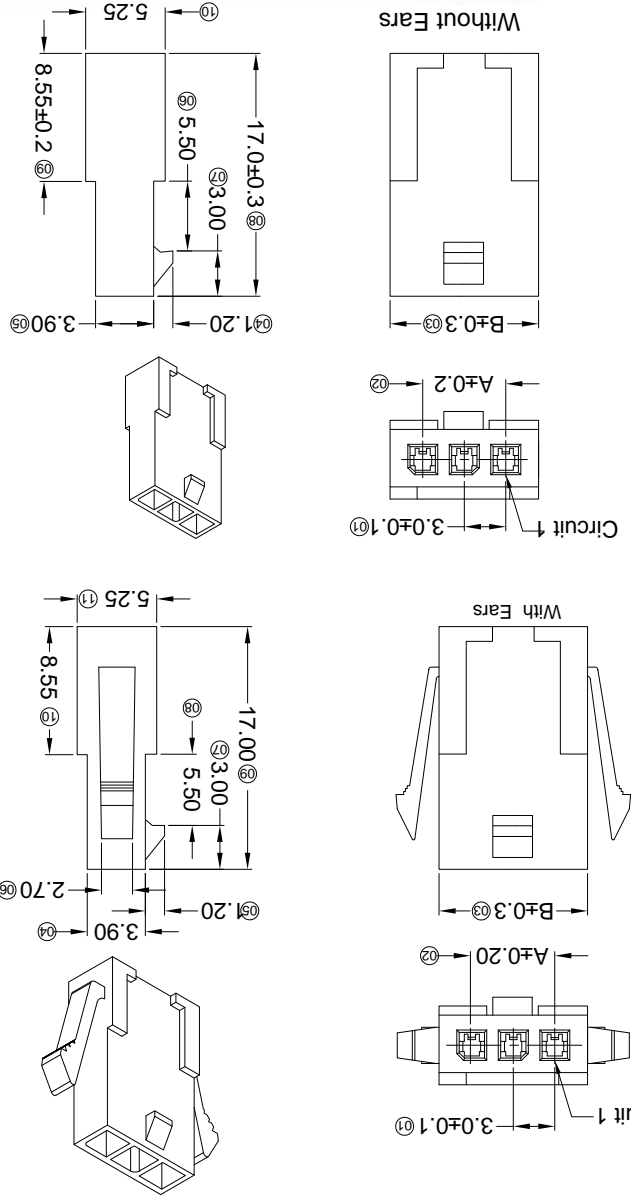
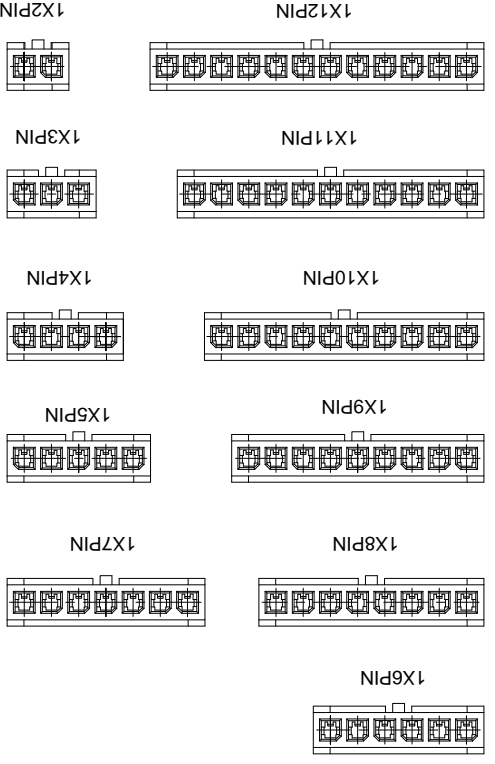
MARK	DESCRIPTION	DATE	REVISED	APPROVED	UNSPECIFIED TOLERANCES
△ X					$L > 63$ $L > 63$
△ X					$4 < L \leq 16$ $\pm 0.3$
△ X					$L \leq 4$ $\pm 0.2$
					ANGULAR $\pm 5^\circ$

DSND	DATE	SCALE: N/A	MODEL TYPE: X3025HF-XXX-N2
DWN <th>DATE</th> <th>VIEW: </th> <th>PART NO.: 3.00 mm Crimp Style Connectors</th>	DATE	VIEW:	PART NO.: 3.00 mm Crimp Style Connectors
CHKD <th>DATE</th> <th>UNIT: mm</th> <th>DWG NO.:</th>	DATE	UNIT: mm	DWG NO.:
APPD <th>DATE</th> <th>SIZE: A4</th> <th>REVISION</th>	DATE	SIZE: A4	REVISION

PART NO	MATERIAL	COLOR	Suitable XKB Terminal	Mates With XKB Housing	Note
X3025HF-XX1-N2WH	Nylon 66 94V-2	White	X3025TM	X3025HM	Without Ears
X3025HF-XX1-N2	Nylon 66 94V-2	Natural Color	X3025TM	X3025HM	Without Ears
X3025HF-XXG-N2WH	Nylon 66 94V-2	White	X3025TM	X3025HM	With Ears
X3025HF-XXG-N2	Nylon 66 94V-2	Natural Color	X3025TM	X3025HM	With Ears

Poles	Dimensions(mm)		Dimensions(mm)	
	A	B	A	B
07	18.00	21.90		
06	15.00	18.90	12	33.00
05	12.00	15.90	11	30.00
04	9.00	12.90	10	27.00
03	6.00	9.90	09	27.90
02	3.00	6.90	08	24.90
			A	B

- Specifications:**  
 • Voltage rating: 250V AC / DC  
 • Current rating: 5A AC / DC  
 • Withstanding voltage: 1000V AC/minute  
 • Temperature range: -40°C~+105°C  
 • Insulation resistance:  $\geq 1000M\Omega$   
 • Contact resistance:  $\leq 10m\Omega$   
 • After environmental testing:  $\leq 20m\Omega$   
 ① Series No.  
 ② Category: H-HSG  
 ③ Welding Board Angle: F-Female HSG  
 ④ Row No.-Pin No.: XX-02P~12P  
 ⑤ Plug the Pin & special No.: I-Without Ears G-With Ears  
 ⑥ Material: N2-PA66 94V-2;  
 ⑦ Color: Blank-Natural Color : WH-White



For and on behalf of  
**XKB INDUSTRIAL PRECISION CO., LIMITED**  
 香港星坤工業精密有限公司

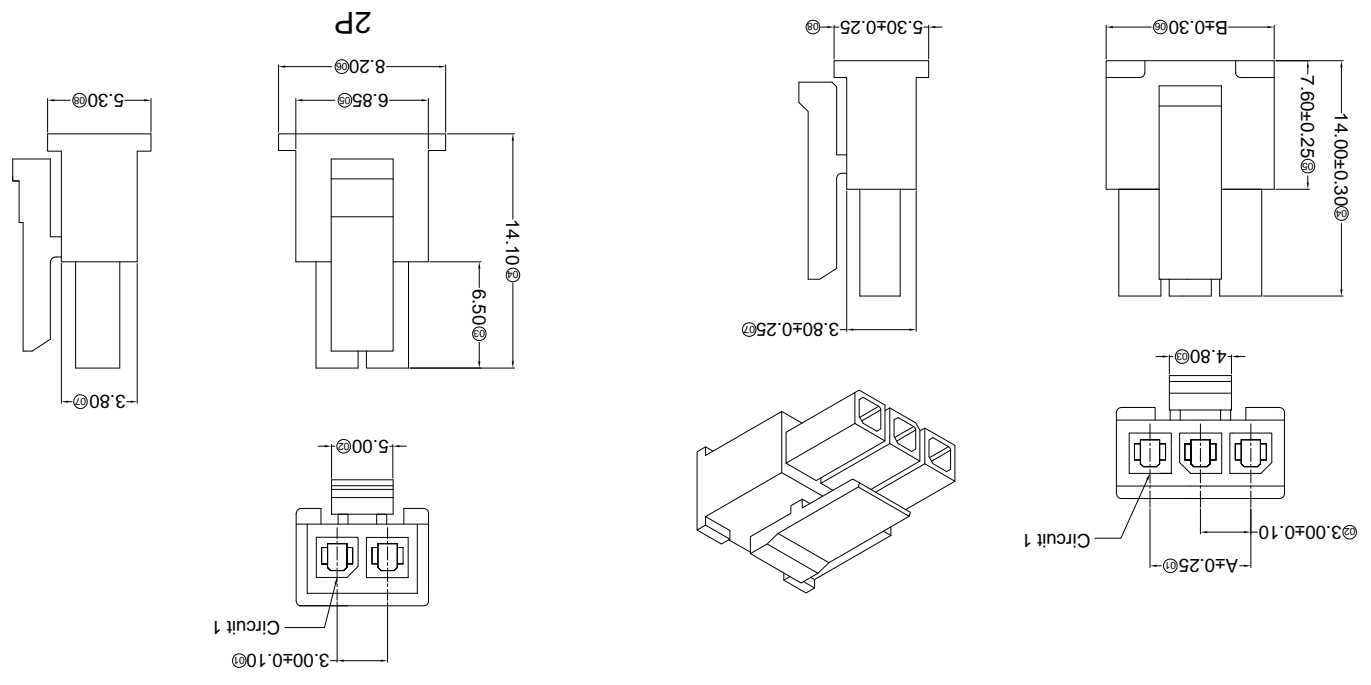
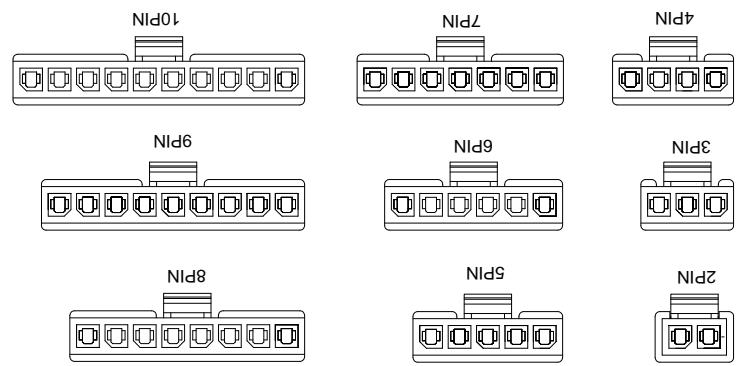
MARK	DESCRIPTION	DATE	REVISED	APPROVED	UNSPECIFIED TOLERANCES
△ X					L > 63
△ X					16 < L ≤ 63
△ X					4 < L ≤ 16
					L ≤ 4
					ANGULAR

REVISIONS	DATE	REVISED	APPROVED	UNSPECIFIED TOLERANCES
				L > 63
				16 < L ≤ 63
				4 < L ≤ 16
				L ≤ 4
				ANGULAR

DSND	DATE	SCALE: N/A	MODEL TYPE: X3025HM-XX-N2
DWN	DATE	VIEW:	PART NO.: X3025HM-XX-N2
CHKD	DATE	UNIT: mm	3.00 mm Crimp Style Connectors
APPD	DATE	SIZE: A4	DWG NO.:

PART NO	Material	Suitable XKB Terminal	Mates With XKB Wafer
X3025HM-XX-N2	Nylon 66 94V-2	X3025TF	X3025W

Poles	Dimensions (mm)		Poles	Dimensions (mm)	
	A	B		A	B
07	18.00	21.85	12	33.00	36.85
06	15.00	18.85	11	30.00	33.85
05	12.00	15.85	10	27.00	30.85
04	9.00	12.85	09	24.00	27.85
03	6.00	9.85	08	21.00	24.85
				A	B



**Specifications :**

- Voltage rating: 250V AC / DC
- Current rating: 5A AC / DC
- Withstanding voltage: 1000V AC/minute
- Temperature range: -40°C~+105°C
- Insulation resistance: ≥1000MΩ
- Contact resistance: ≤10mΩ
- After environmental testing: ≤20mΩ

X3025 H M-XX X-N2 XX  
 ① Series No.  
 ② Category: H-HSG  
 ③ Welding Board Angle: M-Male HGS  
 ④ Row No.-Pin No.: XX-02P~12P  
 ⑤ Plug the Pin & special No.  
 ⑥ Material: N2-PA66 94V-2  
 ⑦ Color: Blank-Natural Color

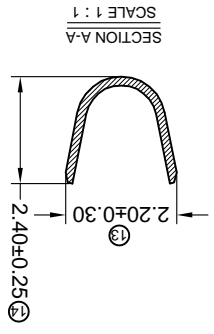
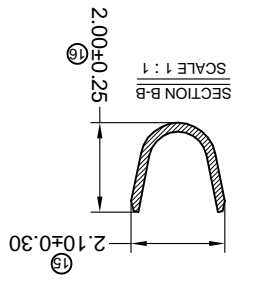
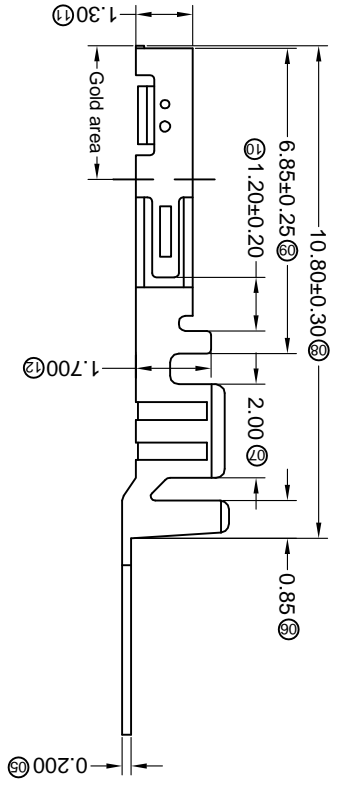
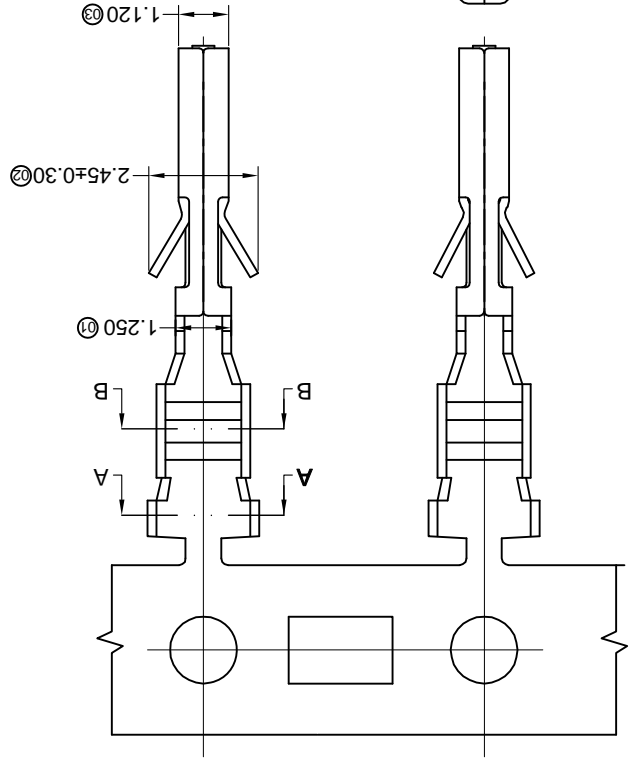
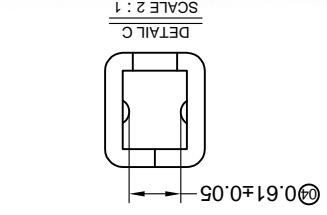
For and on behalf of  
**XKB INDUSTRIAL PRECISION CO., LIMITED**  
 香港星坤工業精密有限公司

REVISIONS  
 (Unauthorized Signatures)

MARK	DESCRIPTION	DATE	REVISED	APPROVED	UNSPECIFIED TOLERANCES
△ X					L > 63 ± 0.5
△ X					16 > L ≤ 63 ± 0.4
△ X					4 < L ≤ 16 ± 0.3
△ X					L ≤ 4 ± 0.2
					ANGULAR ± 5°

DATE	DATE	DATE	DATE	DATE	DATE	DATE	DATE	DATE	DATE
DNSD	DWN	CHKD	APPD						
SCALE: N/A	VIEW:	UNIT: mm	SIZE: A4						
MODEL TYPE: X3025TF-PXXX	PART NO.:	3.00 mm Crimp Style Connectors							
		DWG NO.:							
		WEIGHT: 1.0g							
		SHEET: 1/1							
		REVISION: A0							

PART NO	Material	Wire Range	Insulation O.D.	Finish	Used in XKB Housing
X3025TF-PG30	Phosphor Bronze	AWG#20-24	1.85mm(Max)	Stamping Before Plating:30~50u" Ni;Contact Area Gold:30u" Min.	X3025HM
X3025TF-PG15				Stamping Before Plating:30~50u" Ni;Contact Area Gold:15u" Min.	
X3025TF-PG01				Stamping Before Plating:30~50u" Ni;Contact Area Gold Flash	
X3025TF-PSN				Stamping Before Plating:30~50u" Ni;70~120u" Sn	



■ Specifications :

- Voltage rating: 250V AC / DC
- Current rating: 5A AC / DC
- Withstanding voltage: 1000V AC/minute
- Temperature range: -40°C~+85°C
- Insulation resistance: ≥1000MΩ
- Contact resistance: ≤10mΩ
- After environmental testing: ≤20mΩ

X3025 T-F-P XX X-X  
 ① Series Number  
 ② Category: T-terminal  
 ③ Shape: F-Female Terminal  
 ④ Material: P-Phosphor bronze  
 ⑤ Plating style:  
 ⑥ G-Gold-Plated Contact  
 \*01-Gold Flash \*15-15u" \*30-30u"  
 SN-Bright tin plating 70-120u"  
 ⑦ Plating method:  
 Blank-Stamping before plating  
 ⑧ Mold No./Mark/Special No.

- ① Series Number
- ② Category: T-terminal
- ③ Shape: F-Female Terminal
- ④ Material: P-Phosphor bronze
- ⑤ Plating style:
- ⑥ G-Gold-Plated Contact
- \*01-Gold Flash \*15-15u" \*30-30u"
- SN-Bright tin plating 70-120u"
- ⑦ Plating method:
- Blank-Stamping before plating
- ⑧ Mold No./Mark/Special No.

REVISIONS  
*Authorized Signature(s)*

For and on behalf of  
**KXB INDUSTRIAL PRECISION CO., LIMITED**  
香港星坤工業精密有限公司

MARK	DESCRIPTION	DATE	REVISED	APPROVED	UNSPECIFIED TOLERANCES
△ X					L > 63
△ X					16 > L ≤ 63
△ X					4 < L ≤ 16
△ X					L ≤ 4
					ANGULAR ± 5°

REVISION	SHEET	WEIGHT	SIZE: A4	DATE	DATE	DATE	DATE
A0	1/1	1.0g					

**KXB INDUSTRIAL PRECISION CO., LIMITED**

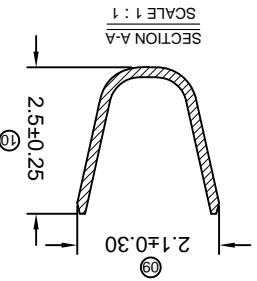
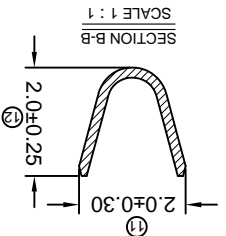
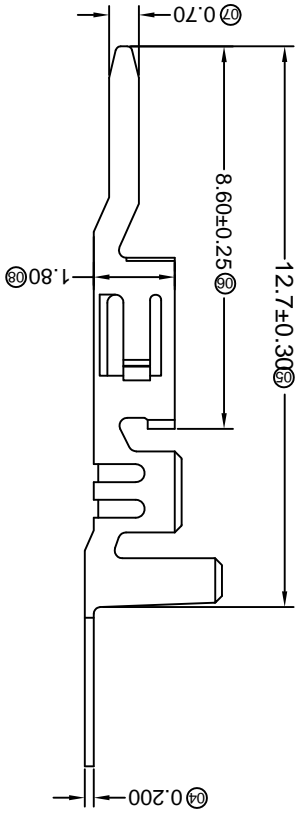
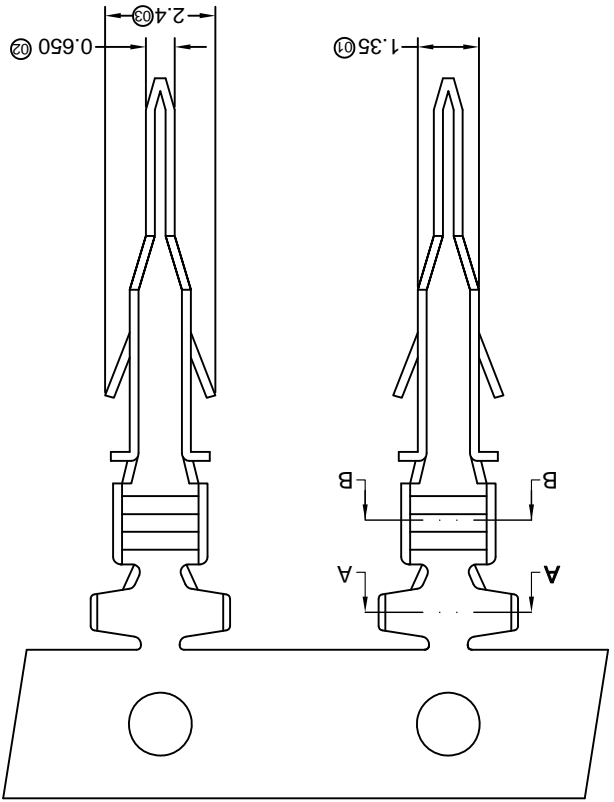
APPD	CHKD	DWN	DSND

UNIT: mm	VIEW:	SCALE: N/A

PART NO.: X3025TM-PXX  
MODEL TYPE: X3025TM-PXX  
3.00 mm Crimp Style Connectors  
DWG NO.:

PART NO	Material	Wire Range	Insulation O.D.	Finish
X3025TM-PSN	Phosphor Bronze AWG#20-24	1.85mm(Max)		Stamping Before Plating:30u" Ni;70u" Sn
X3025TM-PG01				Stamping Before Plating:30u" Ni>Contact Area Gold Flash
X3025TM-PG15				Stamping Before Plating:30u" Ni>Contact Area Gold:15u" Min.
X3025TM-PG30				Stamping Before Plating:30u" Ni>Contact Area Gold:30u" Min.

Used in XKB Housing



- Specifications :**
- Voltage rating: 250V AC / DC
  - Current rating: 5A AC / DC
  - Withstanding voltage: 1000V AC/minute
  - Temperature range: -25°C~+85°C
  - Insulation resistance: ≥1000MΩ
  - Contact resistance: ≤10mΩ
  - After environmental testing: ≤20mΩ
- X3025 T M-P XX X-X
- ① Series Number
  - ② Category: T-terminal
  - ③ Shape: M-Male Terminal
  - ④ Material: P-Phosphor bronze
  - ⑤ Plating style: G-Gold-Plated Contact
  - ⑥ Plating method: SN-Bright tin plating 70u"
  - ⑦ \*01-Gold Flash \*15-15u" \*30-30u"
  - ⑧ Mold No./Mark/Special No.

REVISIONS  
*Unauthorized Signature(s)*

For and on behalf of  
**XKB INDUSTRIAL PRECISION CO., LIMITED**  
香港星坤工業精密有限公司

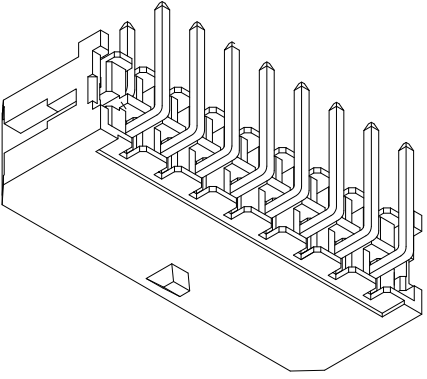
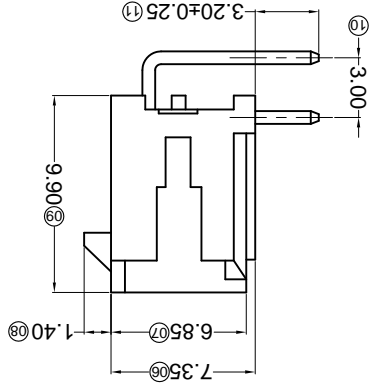
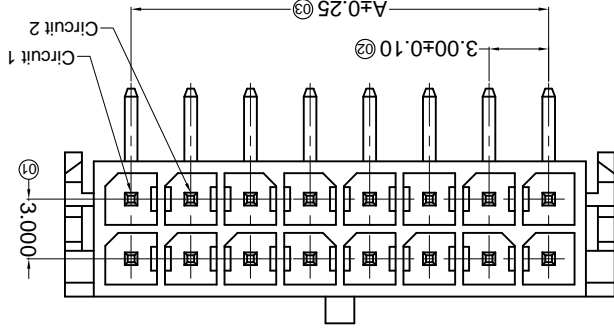
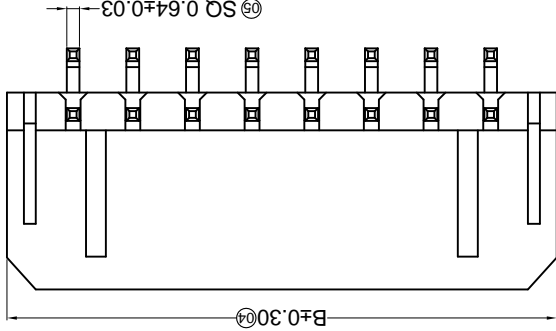
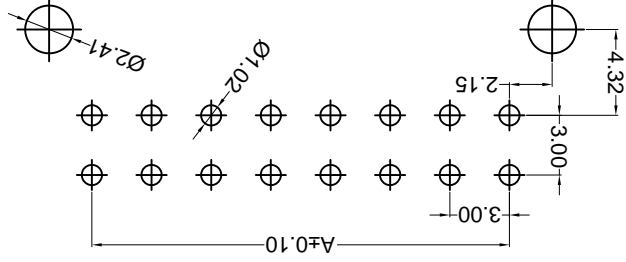
MARK	DESCRIPTION	DATE	REVISED	APPROVED	UNSPECIFIED TOLERANCES
△ X					L > 63
△ X					16 < L ≤ 63
△ X					4 < L ≤ 16
					L ≤ 4
					ANGULAR
					± 5°
					± 0.5

MODEL TYPE	SCALE	DATE	VIEW	UNIT	DATE	SIZE
X3025WR-2*XXB-XXSN	N/A			mm		A4
PART NO.:		DATE				
300 mm Crimp Style Connectors		DATE				
DWG NO.:		DATE				
WEIGHT	SHEET	REVISION				
1.0g	1/1	A0				

Poles	Dimensions (mm)		Poles		Dimensions (mm)	
	A	B	A	B	A	B
2*01	---	6.65	2*07	18.00	24.65	24.65
2*02	3.00	9.65	2*08	21.00	27.65	27.65
2*03	6.00	12.65	2*09	24.00	30.65	30.65
2*04	9.00	15.65	2*10	27.00	33.65	33.65
2*05	12.00	18.65	2*11	30.00	36.65	36.65
2*06	15.00	21.65	2*12	33.00	39.65	39.65

Part No.	Material	Material(Pin)	Finish(Pin)	Mates With XKB Housing
X3025WR-2*XXB-NOSN	Nylon 66 UL 94V-0	Brass	Tin-Plated	X3025H
X3025WR-2*XXB-46SN	Nylon 46 UL 94V-0			
X3025WR-2*XXB-LPSN	LCP UL 94V-0			

Recommended P.C.B Layout  
General Tolerance±0.05

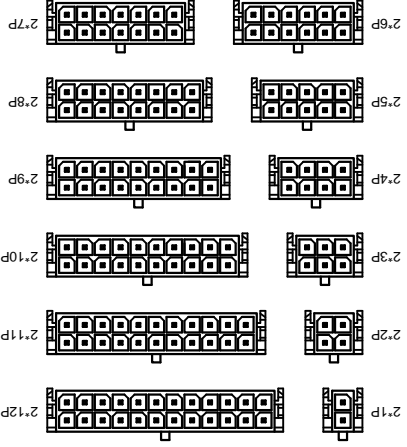


**Specifications :**

- Voltage rating: 250V AC / DC
- Current rating: 5A AC / DC
- Withstanding voltage: 1000V AC/minute
- Temperature range: -25°C~+85°C
- Insulation resistance: ≥1000MΩ
- Contact resistance: ≤10mΩ
- After environmental testing: ≤20mΩ

X3025 W R X-2\*XX B-XX XX XX  
① Series No.  
② Category: W-water  
③ Welding Board Angle: R-90°  
④ Welding Way: Blank-DIP  
⑤ Row No.-Pin No.: 2\*XX-2\*01P-2\*12P  
⑥ Special NO.: B-Without positioning column  
⑦ Material: 46-PA46 94V-0 N0-PA66 94V-0 LP-LCP 94V-0  
⑧ Plating Category: SN-Bright tin plating  
⑨ Color: Blank-natural color

Scale 1:3



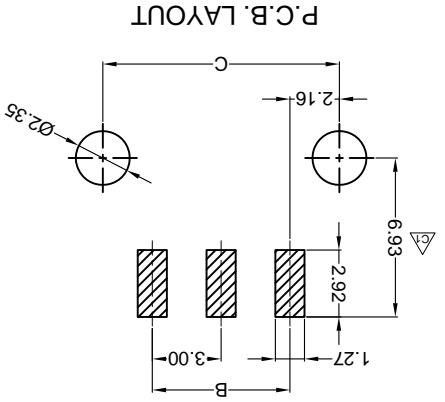
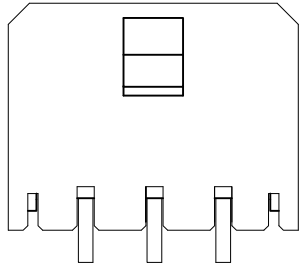
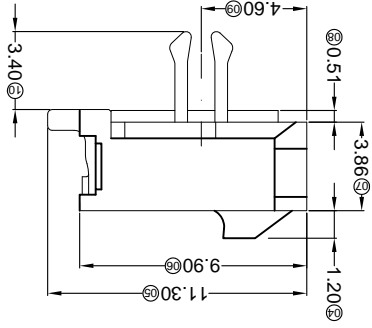
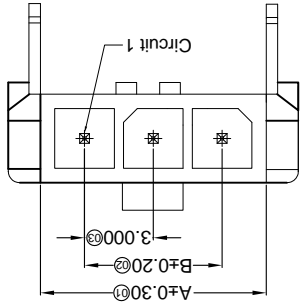
For and on behalf of  
**KKB INDUSTRIAL PRECISION CO., LIMITED**  
 香港星坤工業精密有限公司

MARK	DESCRIPTION	DATE	REVISED	APPROVED	UNSPECIFIED TOLERANCES
△ X					L > 63 ± 0.5
△ X					16 < L ≤ 63 ± 0.4
△ X					4 < L ≤ 16 ± 0.3
△ X					L ≤ 4 ± 0.2
					ANGULAR ± 5°

DSND	DATE	SCALE: N/A	MODEL TYPE: X3025WRS-XXC-XXXX
DWN	DATE	VIEW:	PART NO.:
CHKD	DATE	UNIT: mm	3.00 mm Crimp Style Connectors
APPD	DATE	SIZE: A4	DWG NO.:

WEIGHT	SHEET	REVISION
1.0g	1/1	A0

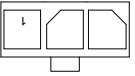
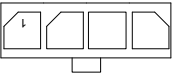
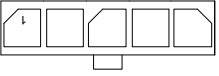
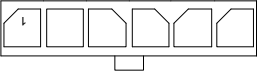
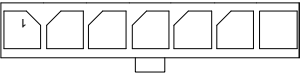
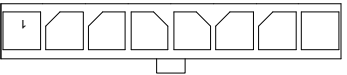
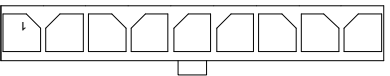
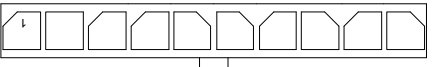
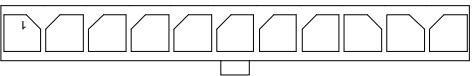
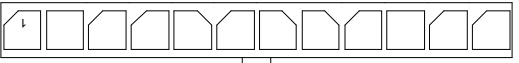
PART NO	Material	Material(Pin)	Finish(Pin)	Material (Solder Tabs) (Solder Tabs)	Finish (Solder Tabs)	Mates With XKB Housing
3025WRS-XXC-N0SN	PA66 UL 94V-0	Brass	Tin-Plated	Brass	Tin-Plated	X3025H
3025WRS-XXC-LPSN	LCP UL 94V-0		Tin Plating Fog			
3025WRS-XXC-LPSW	LCP UL 94V-0					



- X3025 W R S-XX C-XX XX XX
- ① Series No.
  - ② Category: W-water
  - ③ Welding Board Angle: R-90°
  - ④ Welding Way: S-SMT
  - ⑤ Row No.-Pin No.: XX-Single row
  - ⑥ Special NO.: C-The harpoon
  - ⑦ Material: LP-LCP 94V-0 N0-LCP 94V-0
  - ⑧ Plating Category: SN-Bright tin plating 70U
  - ⑨ SW-Fog Tin plating
  - ⑩ Color: Blank-natural color

- Specifications :
- Voltage rating: 250V AC / DC
  - Current rating: 5A AC / DC
  - Withstanding voltage: 1000V AC/minute
  - Temperature range: -25°C~+85°C
  - Insulation resistance: ≥1000MΩ
  - Contact resistance: ≤10mΩ
  - After environmental testing: ≤20mΩ

Poles	Dimensions (mm)		
	A	B	C
02	6.85	3.00	7.30
03	9.85	6.00	10.30
04	12.85	9.00	13.30
05	15.85	12.00	16.30
06	18.85	15.00	19.30
07	21.85	18.00	22.30
08	24.85	21.00	25.30
09	27.85	24.00	28.30
10	30.85	27.00	31.30
11	33.85	30.00	34.30
12	36.85	33.00	37.30





For and on behalf of  
**KRB INDUSTRIAL PRECISION CO., LIMITED**  
 香港星坤工業精密有限公司

REVISIONS  
 Authorized Signature(s)

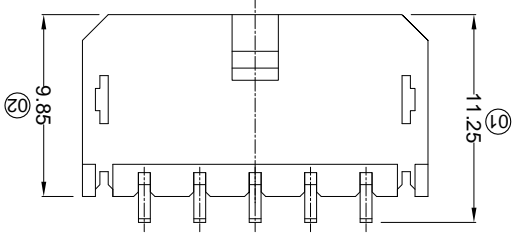
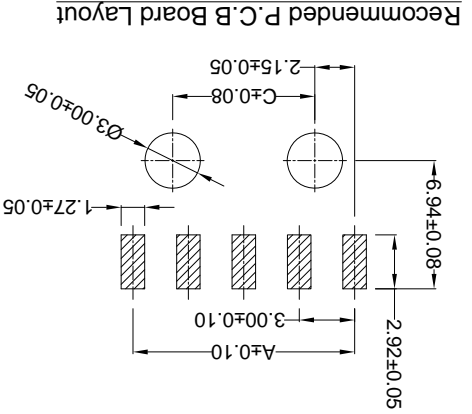
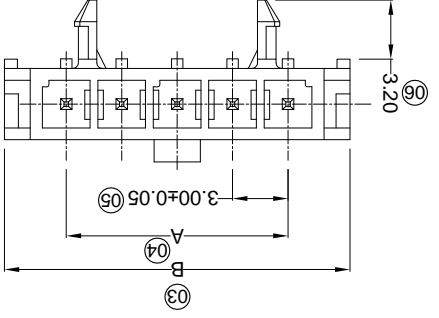
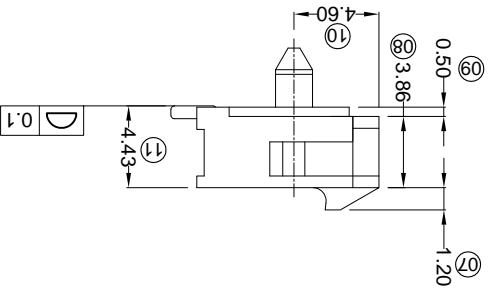
MARK	DESCRIPTION	DATE	REVISED	APPROVED	UNSPECIFIED TOLERANCES
△ X					L > 63 ± 0.5
△ X					16 < L ≤ 63 ± 0.4
△ X					4 < L ≤ 16 ± 0.3
△ X					L ≤ 4 ± 0.2
					ANGULAR ± 5°

DATE	DATE	DATE	DATE	DATE	DATE
DSND	DWN	CHKD	APPD		
SCALE: N/A	VIEW:	UNIT: mm	SIZE: A4		
MODEL TYPE: X3025WRS-XXE-LPXX	PART NO.:	3.00 mm Crimp Style Connectors	DWG NO.:		
				WEIGHT 1.0g	SHEET 1/1
				REVISION	A0

PART NO	Material	Material(Pin)	Finish(Pin)	Mates With XKB Housing
X3025WRS-XXE-LPSN	LCP UL 94V-0	Brass	Tin-Plated	X3025H
X3025WRS-XXE-LPSW			Tin Plating Fog	

Poles	Dimensions (mm)		
	A	B	C
02	3.00	9.65	---
03	6.00	12.65	---
04	9.00	15.65	4.70
05	12.00	18.65	7.70
06	15.00	21.65	10.70
07	18.00	24.65	13.70
08	21.00	27.65	16.70
09	24.00	30.65	19.70
10	27.00	33.65	22.70
11	30.00	36.65	25.70
12	33.00	39.65	28.70

- ① Color: Blank-natural color
- ② SW-Fog Tin plating
- ③ SN1-Bright tin plating 120u"Min. ;
- ④ SN-Bright tin plating 70u"
- ⑤ \*10-10u" ; \*15-15u" ; \*30-30u" ; \*50-50u"
- ⑥ \*01-Gold Flash ; \*02-2u" ; \*03-3u" ; \*05-5u"
- ⑦ G\*\* : Gold-Plated Contact
- ⑧ V\*\* : All Gold-Plated
- ⑨ Planting Category: LP-LCP 94V-0
- ⑩ Material: E-With plastic positioning column
- ⑪ Special NO. XX-Single row
- ⑫ Row No.-Pin No. S-SMT
- ⑬ Welding Way: R-90°
- ⑭ Welding Board Angle: W-water
- ⑮ Category: W-water
- ⑯ Series No. X3025 W R S-XX E-LP XX XX
- ⑰ ⑱ ⑲ ⑳ ㉑ ㉒ ㉓ ㉔ ㉕ ㉖ ㉗ ㉘ ㉙ ㉚ ㉛ ㉜ ㉝ ㉞ ㉟ ㊱ ㊲ ㊳ ㊴ ㊵ ㊶ ㊷ ㊸ ㊹ ㊺ ㊻ ㊼ ㊽ ㊾ ㊿



- Specifications :
- Voltage rating: 250V AC / DC
  - Current rating: 5A AC / DC
  - Withstanding voltage: 1000V AC/minute
  - Temperature range: -25°C~+85°C
  - Insulation resistance: ≥1000MΩ
  - Contact resistance: ≤10mΩ
  - After environmental testing: ≤20mΩ



REVISIONS  
*Authorized Signature(s)*

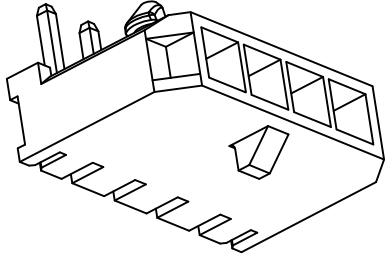
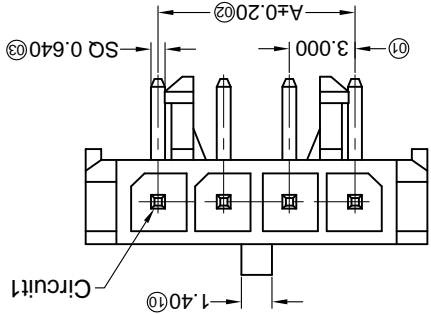
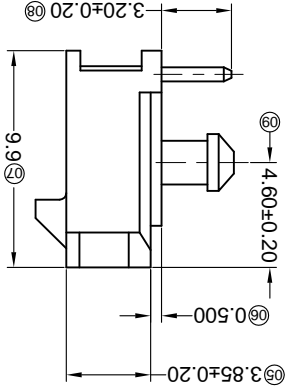
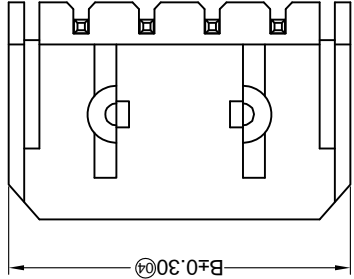
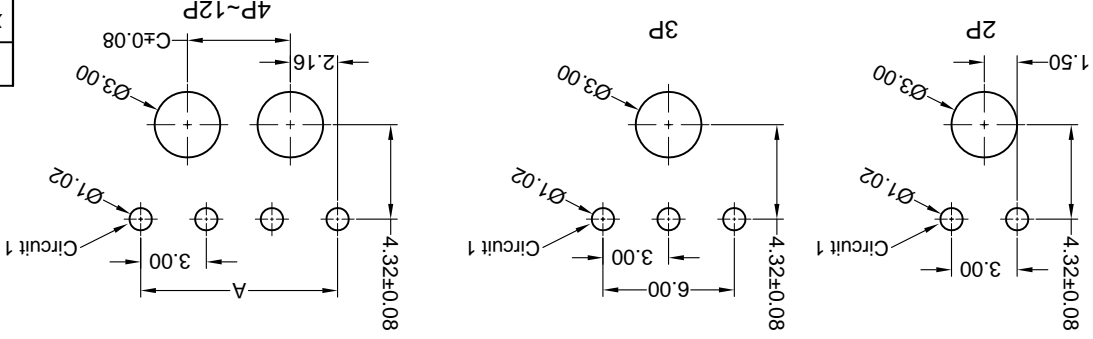
MARK	DESCRIPTION	DATE	REVISED	APPROVED	UNSPECIFIED TOLERANCES
△ X					L > 63
△ X					16 < L ≤ 63
△ X					4 < L ≤ 16
△ X					L ≤ 4
					ANGULAR

For and on behalf of  
**KKB INDUSTRIAL PRECISION CO., LIMITED**  
香港星坤工業精密有限公司

**KKB INDUSTRIAL PRECISION CO., LIMITED**

WEIGHT	1.0g
SHEET	1/1
REVISION	A0
SIZE:	A4
UNIT:	mm
VIEW:	
SCALE:	N/A
MODEL TYPE:	X3025WR-XX-XXSNXX
PART NO.:	
DWG NO.:	3.00mm Crimp Style Connectors

Recommended P.C.B Layout  
General Tolerance±0.05



PART NO	Material	Material(Pin)	Finish(Pin)	Mates With KKB Housing
X3025WR-XX-LFNSXX	LCP UL 94V-0	Brass	Tin-Plated	X3025H
X3025WR-XX-N0SNXX	PA66 UL 94V-0			

Poles	Dimensions(mm)				Poles	Dimensions(mm)			
	A	B	C			A	B	C	
01	---	6.65	---	07	18.00	24.65	13.70		
02	3.00	9.65	---	08	21.00	27.65	16.70		
03	6.00	12.65	---	09	24.00	30.65	19.70		
04	9.00	15.65	4.70	10	27.00	33.65	22.70		
05	12.00	18.65	7.70	11	30.00	36.65	25.70		
06	15.00	21.65	10.70	12	33.00	39.65	28.70		

- ① Series No.
- ② Category: W-water
- ③ Welding Board Angle: R-90°
- ④ Welding Way: Blank-DIP
- ⑤ Row No.-Pin No.: XX-Single row
- ⑥ Plug the Pin & Special No.:
- ⑦ Material: LP-LCP 94V-0 N0-PA66 94V-0
- ⑧ Plating Category: SN-Bright tin plating 70u" Min.
- ⑨ Color: Blank-Natural Color Black

X3025 W R X - XX X - XX SN XX  
① ② ③ ④ ⑤ ⑥ ⑦ ⑧ ⑨

- Specifications :
- Voltage rating: 250V AC / DC
  - Current rating: 5A AC / DC
  - Withstanding voltage: 1500V AC/minute
  - Temperature range: -40°C~+105°C
  - Insulation resistance: ≥1000MΩ
  - Contact resistance: ≤10mΩ
  - After environmental testing: ≤20mΩ

For and on behalf of  
**KXB INDUSTRIAL PRECISION CO., LIMITED**  
 香港星坤工業精密有限公司

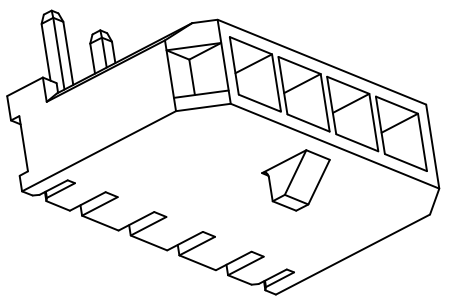
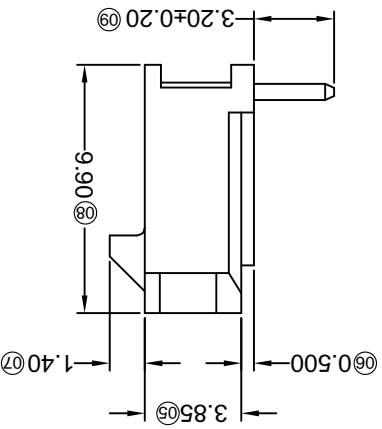
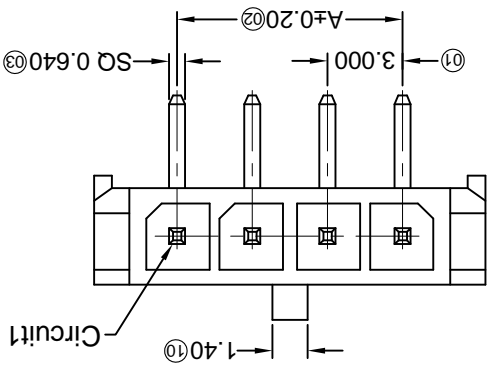
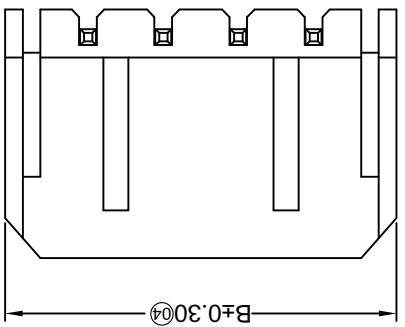
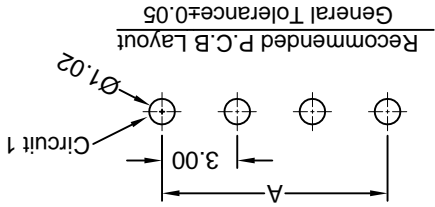
Authorized Signature(s)

MARK	DESCRIPTION	DATE	REVISED	APPROVED	UNSPECIFIED TOLERANCES
△ X					L > 63
△ X					16 < L ≤ 63
△ X					4 < L ≤ 16
△ X					L ≤ 4
					ANGULAR

REVISIONS	DATE	REVISED	APPROVED	UNSPECIFIED TOLERANCES
				L > 63
				16 < L ≤ 63
				4 < L ≤ 16
				L ≤ 4
				ANGULAR

DATE	SCALE: N/A	MODEL TYPE: X3025WR-XXB-XXSN	VIEW:	DATE	DATE	DATE	DATE
DNSD							
DWN							
CHKD							
APPD							

WEIGHT	SHEET	REVISION
1.0g	1/1	A0



PART NO	Material	Material(Pin)	Finish(Pin)	Mates With XKB Housing
X3025WR-XXB-LPSN	LCP UL 94V-0	Brass	Tin-Plated	X3025H
X3025WR-XXB-N0SN	PA66 UL 94V-0			

Poles	Dimensions(mm)		Poles		Dimensions(mm)	
	A	B	A	B	A	B
01	---	6.65	07	18.00	24.65	24.65
02	3.00	9.65	08	21.00	27.65	27.65
03	6.00	12.65	09	24.00	30.65	30.65
04	9.00	15.65	10	27.00	33.65	33.65
05	12.00	18.65	11	30.00	36.65	36.65
06	15.00	21.65	12	33.00	39.65	39.65

- ① Series No.
- ② Category: W-water
- ③ Welding Board Angle: R-90°
- ④ Welding Way: Blank-DIP
- ⑤ Row No.-Pin No.: XX-01P-12P
- ⑥ Plug the Pin & Special No.:
- ⑦ B-Without positioning column
- ⑧ Material: LP-LCP 94V-0;
- ⑨ N0-PA66 94V-0
- ⑩ Planting Category: SN-Bright tin plating
- ⑪ Color: Blank-Natural Color Black

X3025 W R X - XX B - XX SN XX  
 ① ② ③ ④ ⑤ ⑥ ⑦ ⑧ ⑨

- Voltage rating: 250V AC / DC
- Current rating: 5A AC / DC
- Withstanding voltage: 1500V AC/minute
- Temperature range: -40°C~+105°C
- Insulation resistance: ≥1000MΩ
- Contact resistance: ≤10mΩ
- After environmental testing: ≤20mΩ

■ Specifications :

REVISIONS  
 (Authorized Signatures)

MARK	DESCRIPTION	DATE	REVISED	APPROVED	UNSPECIFIED TOLERANCES
△ X					L > 63 ± 0.5
△ X					16 < L ≤ 63 ± 0.4
△ X					4 < L ≤ 16 ± 0.3
△ X					L ≤ 4 ± 0.2
					ANGULAR ± 5°

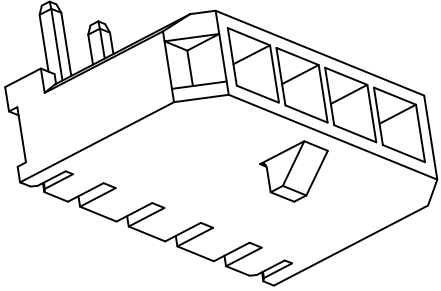
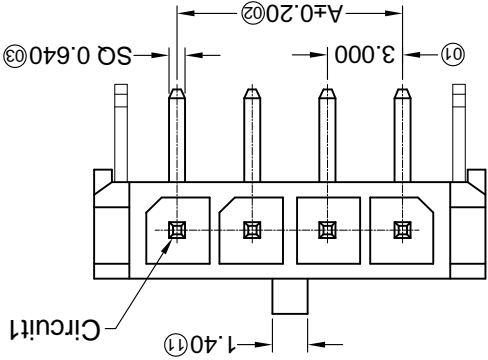
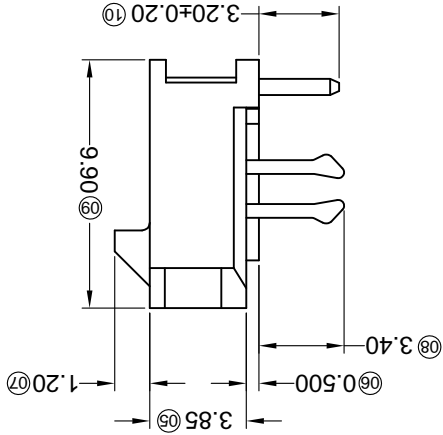
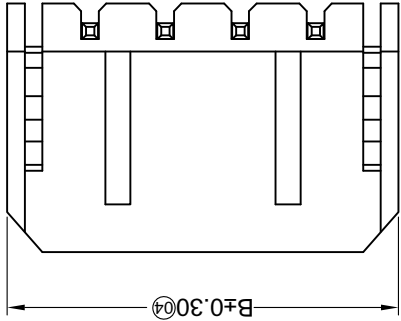
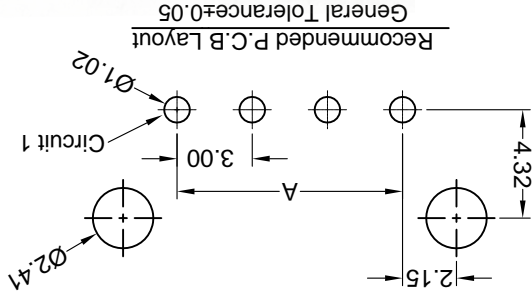
For and on behalf of  
 KKB INDUSTRIAL PRECISION CO., LIMITED  
 香港星坤工業精密有限公司

KKB INDUSTRIAL PRECISION CO., LIMITED

WEIGHT	1.0g
SHEET	1/1
REVISION	A0
SIZE:	A4
DATE:	
UNIT:	mm
VIEW:	
SCALE:	N/A
MODEL TYPE:	X3025WR-XXC-XXSN
PART NO.:	
3.00mm Crimp Style Connectors	
DWG NO.:	

PART NO	Material	Material(Pin)	Finish(Pin)	Mates With
X3025WR-XXC-LPSN	LCP UL 94V-0	Brass	Tin-Plated	X3025H
X3025WR-XXC-N0SN	PA66 UL 94V-0			

Poles	Dimensions(mm)		Poles		Dimensions(mm)	
	A	B	A	B	A	B
01	---	6.65	07	18.00	24.65	24.65
02	3.00	9.65	08	21.00	27.65	27.65
03	6.00	12.65	09	24.00	30.65	30.65
04	9.00	15.65	10	27.00	33.65	33.65
05	12.00	18.65	11	30.00	36.65	36.65
06	15.00	21.65	12	33.00	39.65	39.65



■ Specifications :

- Voltage rating: 250V AC / DC
- Current rating: 5A AC / DC
- Withstanding voltage: 1500V AC/minute
- Temperature range: -40°C~+105°C
- Insulation resistance: ≥1000MΩ
- Contact resistance: ≤10mΩ
- After environmental testing: ≤20mΩ

X3025 W R X - XX C - XX SN XX  
 ① ② ③ ④ ⑤ ⑥ ⑦ ⑧ ⑨

- ① Series No.
- ② Category: W-water
- ③ Welding Board Angle: R-90°
- ④ Welding Way: Blank-DIP
- ⑤ Row No.-Pin No.: XX-01P~12P
- ⑥ Plug the Pin & Special No.: C-The harpoon
- ⑦ Material: LP-LCP 94V-0;
- ⑧ N0-PA66 94V-0
- ⑨ Planting Category: SN-Bright tin plating
- ⑩ Color: Blank-Natural Color Black

For and on behalf of  
**KRB INDUSTRIAL PRECISION CO., LIMITED**  
 香港星坤工業精密有限公司

Authorized Signatures

MARK	DESCRIPTION	DATE	REVISED	APPROVED	UNSPECIFIED TOLERANCES
△ X					L > 63
△ X					16 < L ≤ 63
△ X					L ≤ 16
△ X					L ≤ 4
					ANGULAR
					± 5°

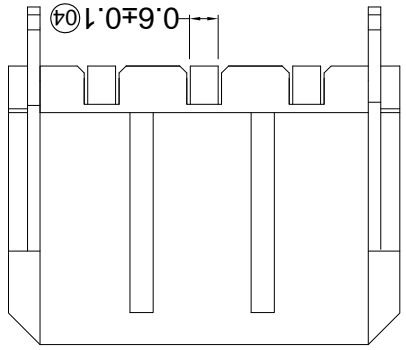
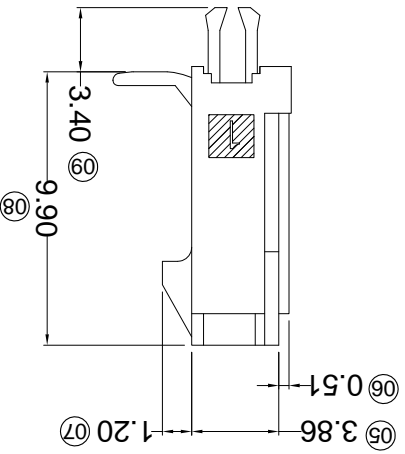
REVISIONS	DATE	REVISED	APPROVED	UNSPECIFIED TOLERANCES
				L > 63
				16 < L ≤ 63
				L ≤ 16
				L ≤ 4
				ANGULAR
				± 5°

DSND	DATE	SCALE: N/A	MODEL TYPE: X3025WVS-XXC-XXXX
DWN	DATE	VIEW:	PART NO.: X3025WVS-XXC-XXXX
CHKD	DATE	UNIT: mm	DWG NO.: 300 mm Crimp Style Connectors
APPD	DATE	SIZE: A4	REVISION

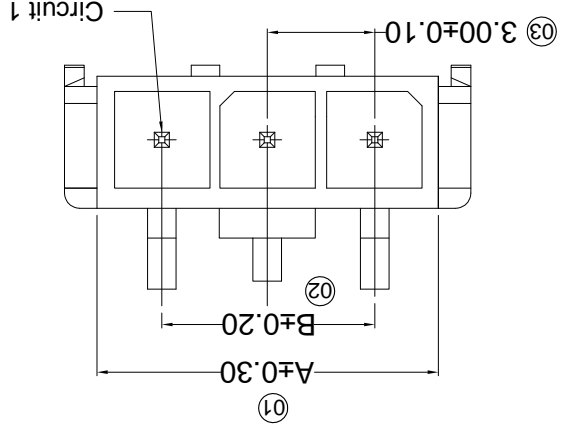
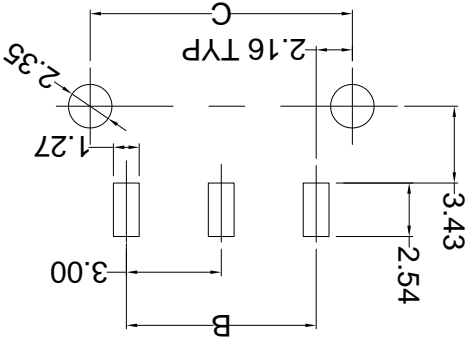
Poles	A	B	C
02	6.85	3.00	7.30
03	9.85	6.00	10.30
04	12.85	9.00	13.30
05	15.85	12.00	16.30
06	18.85	15.00	19.30
07	21.85	18.00	22.30
08	24.85	21.00	25.30
09	27.85	24.00	28.30
10	30.85	27.00	31.30
11	33.85	30.00	34.30
12	36.85	33.00	37.30

- ① Series No. X3025 W V S - XX C-XX XX XX
- ② Category: W-water
- ③ Welding Board Angle: V-180°
- ④ Welding Way: S-SMT
- ⑤ Row No.-Pin No. XX-Single row
- ⑥ Special NO. C-The harpoon
- ⑦ Material: LP-LCP 94V-0 NO-LCP 94V-0
- ⑧ Plating Category: V-All Gold-Plated
- ⑨ G\*-Gold-Plated Contact
- ⑩ \*01-Gold Flash : \*02-2U" : \*03-3U" : \*05-5U" \*10-10U" : \*15-15U" : \*30-30U" : \*50-50U"
- ⑪ SN-Bright tin plating 70U"
- ⑫ SN1-Bright tin plating 120U"Min. :
- ⑬ SW-Fog Tin plating
- ⑭ Color: Blank-natural color

- Specifications :**
- Voltage rating: 250V AC / DC
  - Current rating: 5A AC / DC
  - Withstanding voltage: 1000V AC/minute
  - Temperature range: -25°C~+85°C
  - Insulation resistance: ≥1000MΩ
  - Contact resistance: ≤10mΩ
  - After environmental testing: ≤20mΩ
  - Mark "\*" indicate Dimensions Need To Controlled In Emphasis



**P.C.B. LAYOUT**



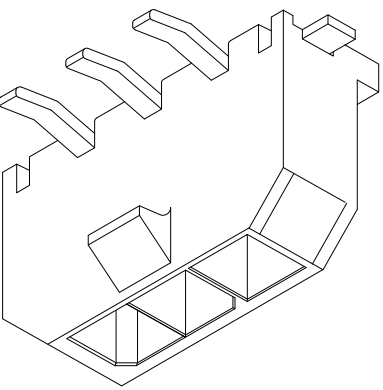
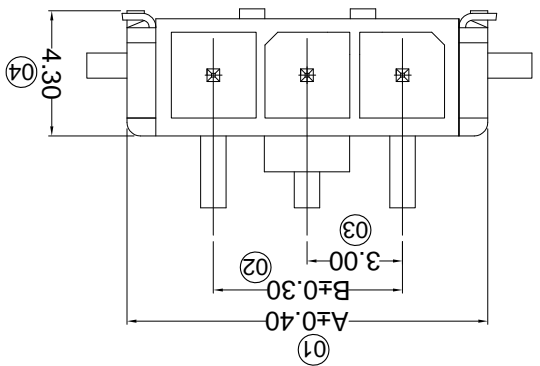
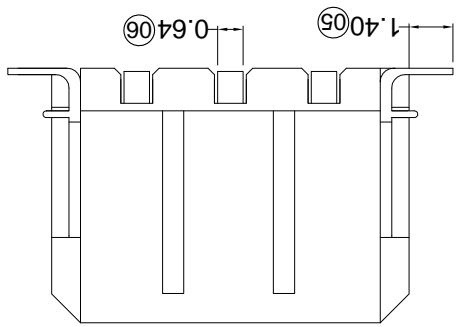
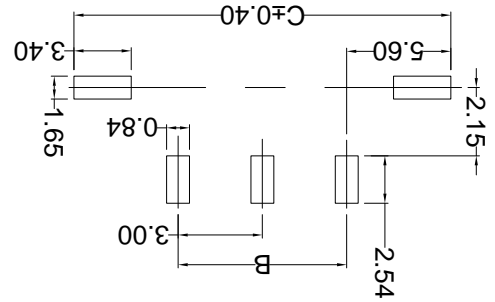
For and on behalf of  
**KRB INDUSTRIAL PRECISION CO., LIMITED**  
 香港星坤工業精密有限公司

REVISIONS  
 (Authorized Signatures)

MARK	DESCRIPTION	DATE	REVISED	APPROVED	UNSPECIFIED TOLERANCES
△ X					L > 63 ±0.5
△ X					16 < L ≤ 63 ±0.4
△ X					4 < L ≤ 16 ±0.3
△ X					L ≤ 4 ±0.2
					ANGULAR ±5°

DATE	DATE	DATE	DATE	DATE	DATE
DNSD	DWN	CHKD	APPD		
SCALE: N/A	VIEW:	UNIT: mm	SIZE: A4		
MODEL TYPE: X3025WVS-XXD-LPXX	PART NO.:	DWG NO.: 3.00 mm Crimp Style Connectors			
WEIGHT	SHEET	REVISION	A0		

**P.C.B. LAYOUT**



PART NO	Material	Material(Pin)	Finish(Pin)	Material (Solder Tabs)	Finish (Solder Tabs)
X3025WVS-XXD-LPSN	LCP UL 94V-0	Brass	Tin-Plated	Brass	Tin-Plated
X3025WVS-XXD-LPSW	LCP UL 94V-0	Brass	Tin Plated Fog	Tin Plated Fog	Tin Plated Fog

Poles	A	B	C	Dimensions(mm)
02	9.70	3.00	12.50	15.50
03	12.70	6.00	15.50	18.50
04	15.70	9.00	18.50	21.50
05	18.70	12.00	21.50	24.50
06	21.70	15.00	24.50	27.50
07	24.70	18.00	27.50	30.50
08	27.70	21.00	30.50	33.50
09	30.70	24.00	33.50	36.50
10	33.70	27.00	36.50	39.50
11	36.70	30.00	39.50	42.50
12	39.70	33.00	42.50	

- X3025 W V S- XX D-LP XX XX
- ① Series No.
  - ② Category: W-water
  - ③ Welding Board Angle: V-180°
  - ④ Welding Way: S-SMT
  - ⑤ Row No.-Pin No. XX-Single row
  - ⑥ Special NO. D-Solder Tabs
  - ⑦ Material: LP-LCP 94V-0
  - ⑧ Plating Category: V\*\*All Gold-Plated
  - ⑨ G\*\*Gold-Plated Contact
  - ⑩ \*01-Gold Flash : \*02-2U" ; \*03-3U" ; \*05-5U"
  - ⑪ \*10-10U" ; \*15-15U" ; \*30-30U" ; \*50-50U"
  - ⑫ SN-Bright tin plating 70U"
  - ⑬ SN-Bright tin plating 120U"Min. :
  - ⑭ SW-Fog Tin plating
  - ⑮ Color: Blank-natural color

- Specifications :**
- Voltage rating: 250V AC / DC
  - Current rating: 5A AC / DC
  - Withstanding voltage: 1000V AC/minute
  - Temperature range: -25°C~+85°C
  - Insulation resistance: ≥1000MΩ
  - Contact resistance: ≤10mΩ
  - After environmental testing: ≤20mΩ
  - Mark "\*" indicate Dimensions Need To Controlled In Emphasis

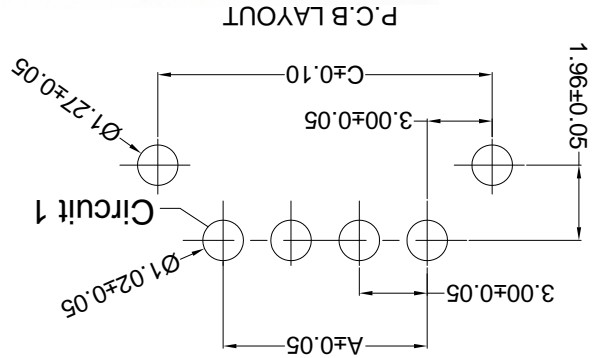
REVISIONS  
 (Authorized Signatures)

MARK	DESCRIPTION	DATE	REVISED	APPROVED	UNSPECIFIED TOLERANCES
△ X					L > 63 ± 0.5
△ X					16 < L ≤ 63 ± 0.4
△ X					4 < L ≤ 16 ± 0.3
△ X					L ≤ 4 ± 0.2
					ANGULAR ± 5°

For and on behalf of  
 XKB INDUSTRIAL PRECISION CO., LIMITED  
 香港星坤工業精密有限公司

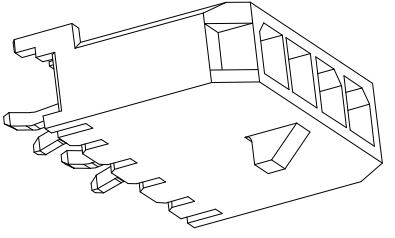
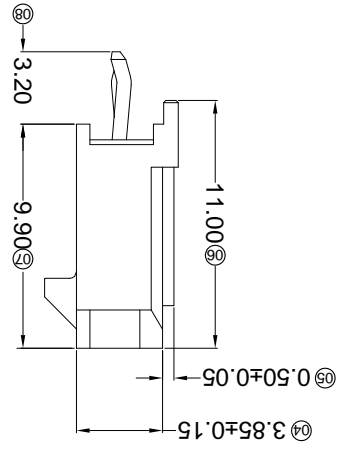
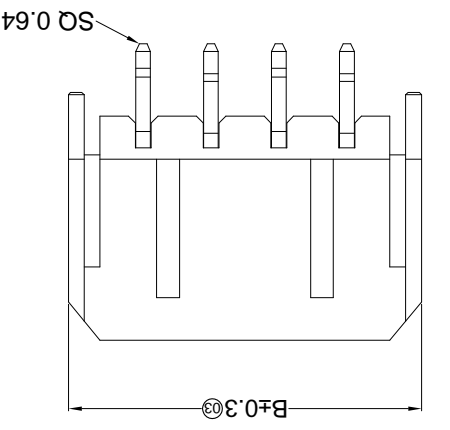
XKB INDUSTRIAL PRECISION CO., LIMITED

WEIGHT	1.0g
SHEET	1/1
REVISION	A0
SIZE:	A4
UNIT:	mm
VIEW:	
DATE:	
DATE:	
DATE:	
SCALE:	N/A
MODEL TYPE:	X3025WV-XXXXSN
PART NO.:	
3.00mm Crimp Style Connectors	
DWG NO.:	



PART NO	Material	Material(Pin)	Finish(Pin)	Mates With XKB Housing
X3025WV-XX-PTS	PBT UL 94V-0	Brass	Tin-Plated	X3025H
X3025WV-XX-46SN	PA46 UL 94V-0			
X3025WV-XX-NOSN	PA66 UL 94V-0			

Poles	A	B	C
02	3.00	9.65	9.00
03	6.00	12.65	12.00
04	9.00	15.65	15.00
05	12.00	18.65	18.00
06	15.00	21.65	21.00
07	18.00	24.65	24.00
08	21.00	27.65	27.00
09	24.00	30.65	30.00
10	27.00	33.65	33.00
11	30.00	36.65	36.00
12	33.00	39.65	39.00



Specifications :

- ① Series No.
- ② Category: W-water
- ③ Welding Board Angle: V- Straight 180°
- ④ Welding Way: Blank-DIP
- ⑤ Row No.-Pin No.: XX-02P-12P
- ⑥ Plug the Pin & Special No.:
- ⑦ Material: 46-PA46 94V-0; PT-PBT 94V-0;
- ⑧ After environmental testing: ≤20mΩ
- ⑨ Contact resistance: ≤10mΩ
- ⑩ Insulation resistance: ≥1000MΩ
- ⑪ Temperature range: -25°C~+85°C
- ⑫ Withstanding voltage: 1500V AC/minute
- ⑬ Current rating: 5A AC / DC
- ⑭ Voltage rating: 250V AC / DC

- ① Series No.
- ② Category: W-water
- ③ Welding Board Angle: V- Straight 180°
- ④ Welding Way: Blank-DIP
- ⑤ Row No.-Pin No.: XX-02P-12P
- ⑥ Plug the Pin & Special No.:
- ⑦ Material: 46-PA46 94V-0; PT-PBT 94V-0;
- ⑧ After environmental testing: ≤20mΩ
- ⑨ Contact resistance: ≤10mΩ
- ⑩ Insulation resistance: ≥1000MΩ
- ⑪ Temperature range: -25°C~+85°C
- ⑫ Withstanding voltage: 1500V AC/minute
- ⑬ Current rating: 5A AC / DC
- ⑭ Voltage rating: 250V AC / DC

X3025 W V X-XX X-XX SN XX  
 ① ② ③ ④ ⑤ ⑥ ⑦ ⑧ ⑨

REVISIONS  
*(Unauthorized Signatures)*

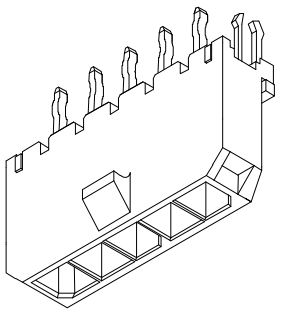
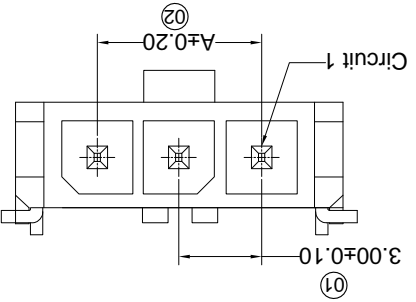
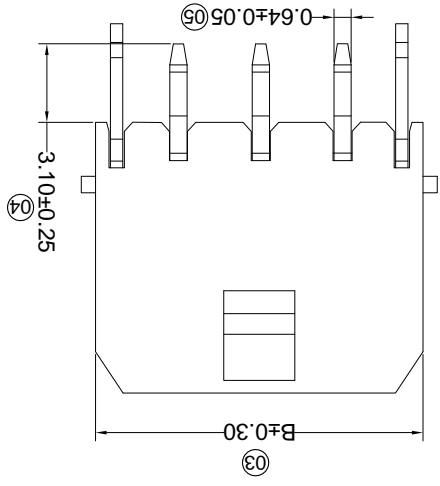
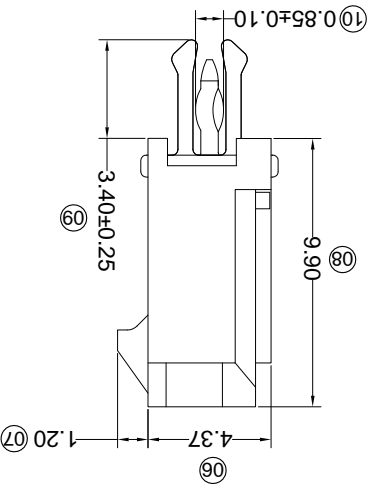
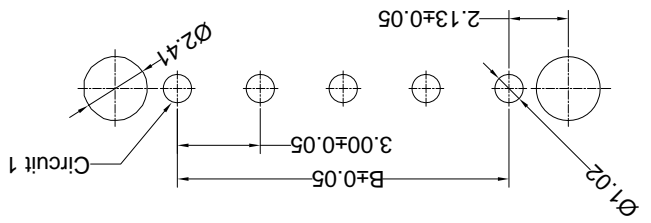
MARK	DESCRIPTION	DATE	REVISED	APPROVED	UNSPECIFIED TOLERANCES
△ X					L > 63 ± 0.5
△ X					16 < L ≤ 63 ± 0.4
△ X					4 < L ≤ 16 ± 0.3
					L ≤ 4 ± 0.2
					ANGULAR ± 5°

For and on behalf of  
**XKB INDUSTRIAL PRECISION CO., LIMITED**  
香港星坤工業精密有限公司

**XKB INDUSTRIAL PRECISION CO., LIMITED**

WEIGHT	1.0g
SHEET	1/1
REVISION	A0
SIZE:	A4
UNIT:	mm
VIEW:	①
SCALE:	N/A
MODEL TYPE:	X3025WV-XXC-XXSN
PART NO.:	X3025WV-XXC-XXSN
3.00 mm Crimp Style Connectors	
DWG NO.:	

**P.C.B LAYOUT**



PART NO	Material	Material(Pin)	Finish(Pin)	Mates With XKB Housing
X3025WV-XXC-LPSN	LCP UL 94V-0	Brass	Tin-Plated	X3025H
X3025WV-XXC-NOSN	PA66 UL 94V-0			

Poles	A	B
12	33.00	39.65
11	30.00	36.65
10	27.00	33.65
9	24.00	30.65
8	21.00	27.65
7	18.00	24.65
6	15.00	21.65
5	12.00	18.65
4	9.00	15.65
3	6.00	12.65
2	3.00	9.65

- ① Series No.
- ② Category:
- ③ W-water
- ④ Welding Board Angle:
- ⑤ V-180°
- ⑥ Welding Way:
- ⑦ Blank-DIP
- ⑧ Row No.-Pin No.
- ⑨ XX-Single row
- ⑩ Special NO.
- ⑪ C-With a harpoon
- ⑫ Material:
- ⑬ LP-LCP 94V-0 NO-PA66 94V-0
- ⑭ Planting Category:
- ⑮ V\*\*All Gold-Plated
- ⑯ G\*\*Gold-Plated Contact
- ⑰ \*01-Gold Flash ; \*02-2u" ; \*03-3u" ; \*05-5u"
- ⑱ \*10-10u" ; \*15-15u" ; \*30-30u" ; \*50-50u"
- ⑲ SN-Bright tin plating 70u"
- ⑳ SN1-Bright tin plating 120u"Min. ;
- ㉑ SW-Fog Tin plating
- ㉒ Color:
- ㉓ Blank-natural color

- Specifications :**
- Voltage rating: 250V AC / DC
  - Current rating: 5A AC / DC
  - Withstanding voltage: 1000V AC/minute
  - Temperature range: -25°C~+85°C
  - Insulation resistance: ≥1000MΩ
  - Contact resistance: ≤10mΩ
  - After environmental testing: ≤20mΩ

## X-ON Electronics

Largest Supplier of Electrical and Electronic Components

*Click to view similar products for [Headers & Wire Housings](#) category:*

*Click to view products by [XKB](#) manufacturer:*

Other Similar products are found below :

[95000-104TRLF](#) [10135584-644402LF](#) [DF62W-EP2022PCA](#) [95000-106TRLF](#) [DF62W-2022SCA](#) [DF62W-EP2022PC](#) [2203348](#) [DF62W-2022SC](#) [1084018](#) [1029039](#) [1084017](#) [802-10-012-10-002000](#) [1112640](#) [1112639](#) [891-007-9SS-BST1T](#) [000-34000](#) [0008550134](#) [0009482033](#) [0009507031](#) [57102-F02-18ULF](#) [57102-S06-03LF](#) [57202-S52-04LF](#) [PCN6-15S-2.5E](#) [0039019024](#) [58102-G61-06LF](#) [582553-1](#) [0009485154](#) [0009508121](#) [0022285053](#) [0050291907](#) [018731A](#) [LY20-4P-DT1-P1E-BR](#) [02.125.8002.8](#) [60101931](#) [60598-1 \(Cut Strip\)](#) [M1625-3R/100](#) [61062-3](#) [61082-181009](#) [CSU011177004](#) [636-1427](#) [638009-1](#) [641938-9](#) [641991-4](#) [644168-1](#) [644827-2](#) [647662-1](#) [65039-019ELF](#) [65692-001LF](#) [65781-018](#) [65781-047](#)