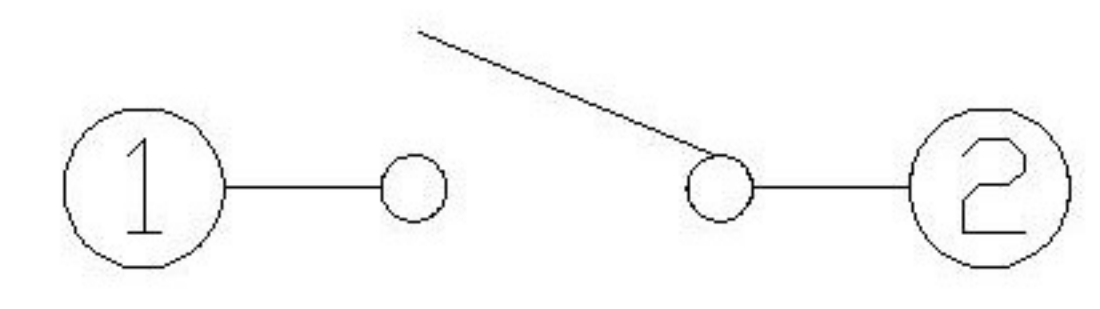


CIRCUIT DIAGRAM

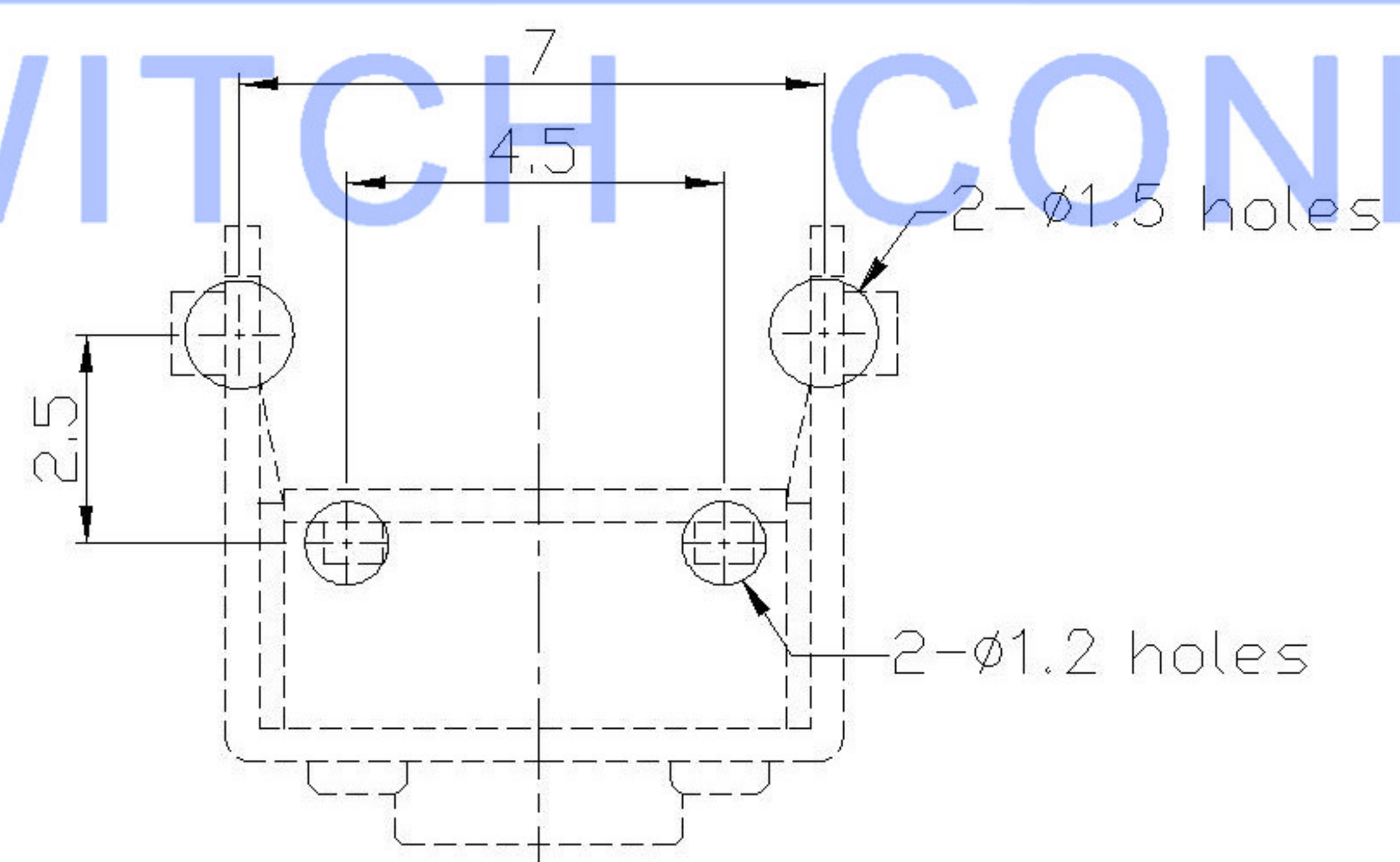
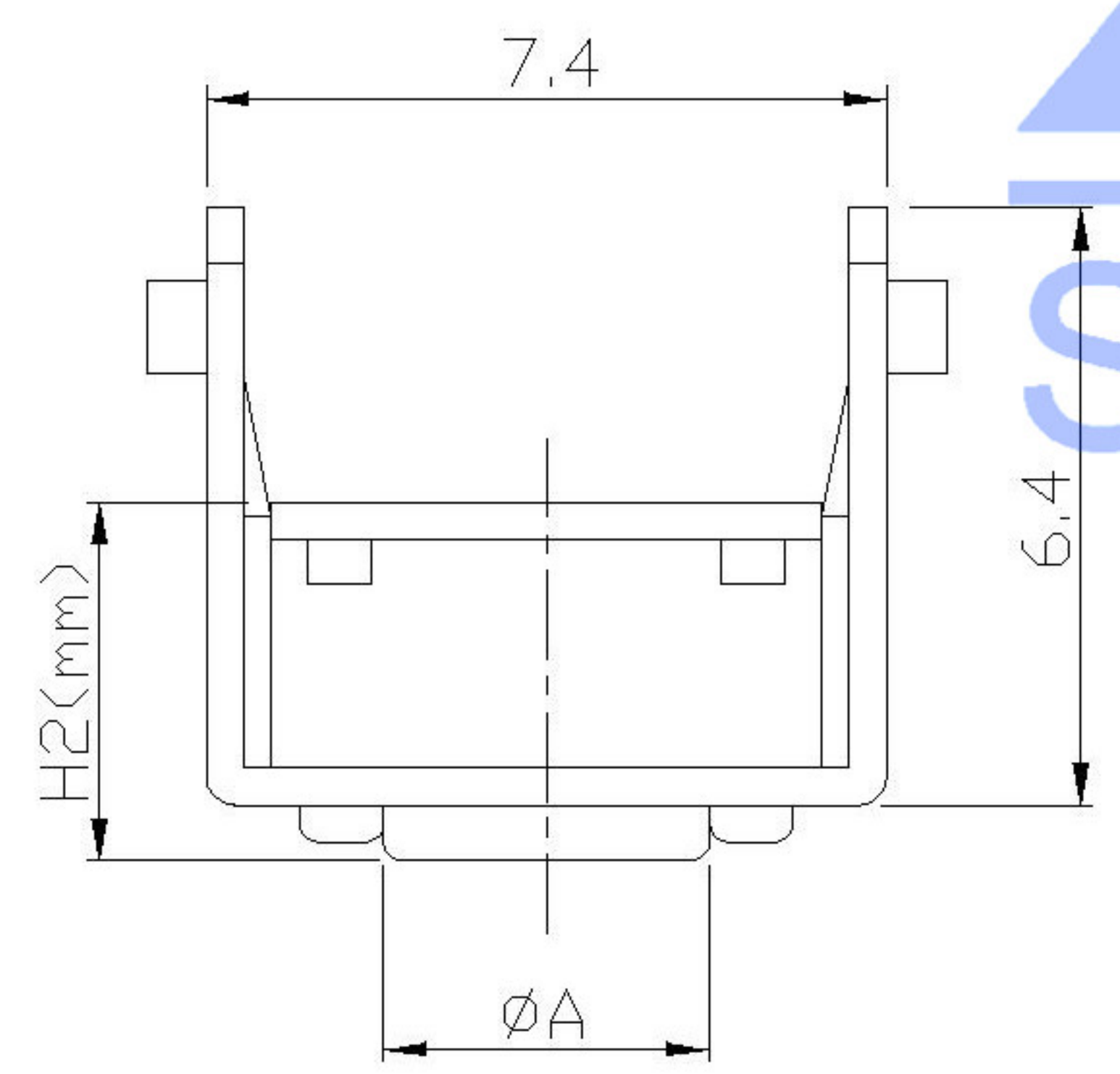


| H | H1 | H2 | ∅A | L |
|----|----------|------|-----|-----|
| A1 | 3.15 | 4.3 | 3.5 | 3.7 |
| AS | 3.35 | 4.5 | 3.5 | |
| A | 3.85 | 5.0 | 3.5 | |
| AL | 4.35 | 5.5 | 3.4 | |
| Q | 4.85 | 6.0 | 3.4 | |
| QL | 5.35 | 6.5 | 3.4 | |
| B | 5.85 | 7.0 | 3.4 | |
| E | 6.15 | 7.3 | 3.4 | |
| EL | 6.35 | 7.5 | 3.4 | |
| C | 6.85 | 8.0 | 3.4 | |
| CL | 7.35 | 8.5 | 3.4 | |
| DS | 7.85 | 9.0 | 3.4 | |
| D | 8.35 | 9.5 | 3.4 | |
| DL | 8.85 | 10.0 | 3.0 | |
| KS | 9.35 | 10.5 | 3.0 | |
| K | 9.85 | 11.0 | 3.0 | |
| KL | 10.35 | 11.5 | 3.0 | |
| FS | 10.85 | 12.0 | 3.0 | |
| F | 11.35 | 12.5 | 3.0 | |
| FL | 11.85 | 13.0 | 3.0 | |
| G | 12.35 | 13.5 | 3.0 | |
| ∅ | 12.85 | 14.0 | 3.0 | |
| X | 13.35 | 14.5 | 3.0 | |
| Y | 13.85 | 15.0 | 3.0 | |
| Z | 14.85 | 16.0 | 3.0 | |
| J | 15.15 | 16.3 | 3.0 | |
| I | 15.85 | 17.0 | 3.0 | |
| T | ∅2.4X2.4 | | | |
| TA | ∅2.8X2.8 | | | |

SPECIFICATION

| | |
|-----------------------|--------------------|
| Contact Rating | 50mA, 12V DC |
| Contact Resistance | 100mΩ max. |
| Insulation Resistance | 100MΩ min. 500V DC |
| Dielectric Strength | 250V AC/1 minute |
| Travel | 0.25 mm |
| Operating Temp. | -25°C +70°C |
| Storage Temp. | -30°C +80°C |

P.C.B MOUNTING PATTERN DIMENSION
The following soldering patterns are recommended for reflow soldering



| | |
|-----------------|--|
| PAPT NO | TC-1102N-X-X-X |
| Operating Force | A:100gf B:160gf C:260gf |
| Height | H |
| color | B:Black BR: Brown R: Red O: Orange G: Green Y: Yellow BL: Blue W: White |

| MARK | DESCRIPTION | DATE | REVISED | APPROVED | UNSPECIFIED TOLERANCES | DSND | DATE | SCALE: N/A | MODEL TYPE: TACT SWITCH |
|------|-------------|------|---------|----------|------------------------|------|------|------------|----------------------------|
| Δx | | | | | ANGULAR ±5° | | | VIEW: | PART NO.: TC-1102N |
| Δx | | | | | L ≤ 4 ±0.2 | | | UNIT: mm | DWG NO.: TC-1102N-X-X-X |
| Δx | | | | | 4 < L ≤ 16 ±0.3 | | | SIZE: A4 | WEIGHT 1.0g |
| | | | | | 16 < L ≤ 63 ±0.4 | | | | SHEET 1/1 |
| | | | | | L > 63 ±0.5 | | | | REVISION A0 |

X-ON Electronics

Largest Supplier of Electrical and Electronic Components

Click to view similar products for [Tactile Switches](#) category:

Click to view products by [XKB](#) manufacturer:

Other Similar products are found below :

[KMR633NG LFG](#) [5GTH92001](#) [5GTH9202242](#) [6426-201-11343](#) [MJ1226](#) [MJTP1109B](#) [MJTP1138EAUTR](#) [MJTP1230BL](#) [MJTPSHW](#)
[GS6.90F300QP](#) [1-1977223-0](#) [1-1977120-4](#) [ADTSA62NV](#) [ADTSA62RV](#) [ADTSA63KV](#) [ADTSA644NV](#) [ADTSM24NVTR](#) [ADTSMW66NV](#)
[ADTSMW67RV](#) [ATM533VTR](#) [1571300-3](#) [B3F-3123](#) [B3F-6055A](#) [B3F-B32-01-KIT](#) [1977177-8](#) [1977266-1](#) [2-1977223-4](#) [2-1977223-7](#)
[ADTS644KV](#) [ADTSA61RV](#) [ADTSA62KV](#) [ADTSA63NV](#) [ADTSA63RV](#) [ADTSA65NV](#) [ADTSM21NSVTR](#) [ADTSM25RVTR](#)
[ADTSM31RVTR](#) [ADTSM32NVTR](#) [ADTSM61YVTR](#) [ADTSM63SVTR](#) [ADTSM644KVTR](#) [ADTSMW64RV](#) [ADTSMW69NV](#)
[FSMRA4JHA04](#) [GS4.70F300QP](#) [D38999/20JJ37SA](#) [TL1105B](#) [TL1105J](#) [ATH447K2Q](#) [ATM534VTR](#)