

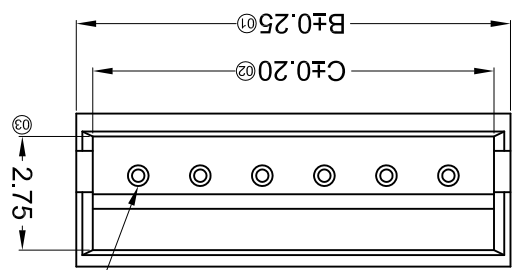
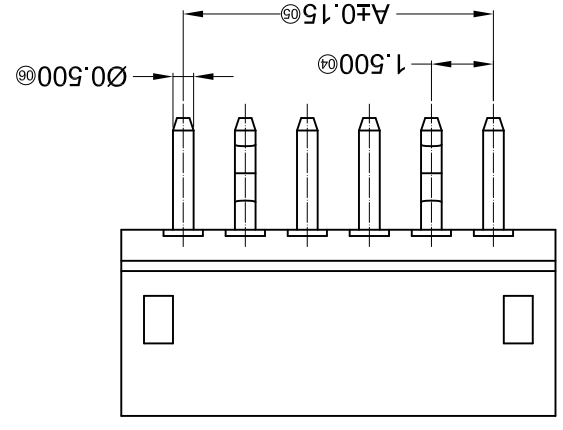
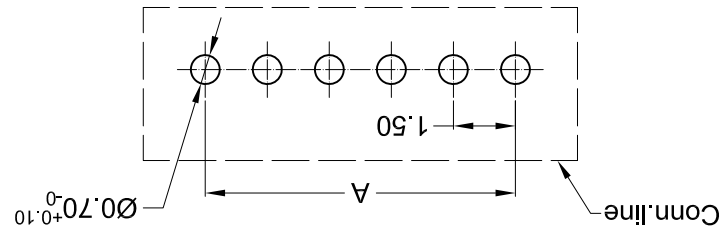
For and on behalf of
XKB INDUSTRIAL PRECISION CO., LIMITED
 香港星坤工業精密有限公司

MARK		DESCRIPTION				DATE				REVISED		APPROVED		UNSPECIFIED TOLERANCES	
△X														L > 63	
△X														16 < L ≤ 63	
△X														4 < L ≤ 16	
△X														L ≤ 4	
														ANGULAR ±5°	

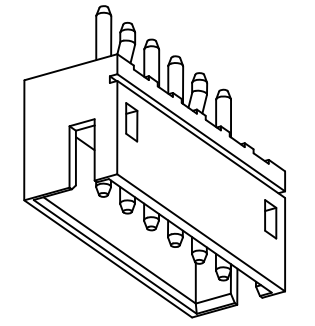
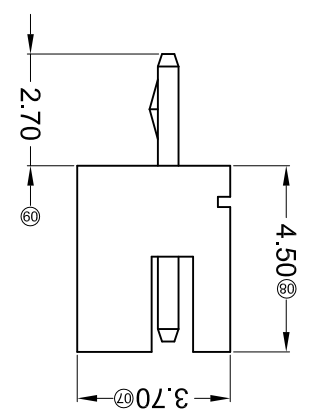
DWND		DATE		SCALE: N/A		MODEL TYPE: X1502WV-XXK-N0SN	
VIEW:		VIEW:		VIEW:		VIEW:	
UNIT: mm		UNIT: mm		UNIT: mm		UNIT: mm	
SIZE: A4		SIZE: A4		SIZE: A4		SIZE: A4	

REVISION		SHEET		WEIGHT	
A0		1/1		1.0g	

Recommended P.C.B Layout
 General Tolerance ±0.05



Circuit 1



PART NO	Material	Material(Pin)	Finish(Pin)	Suitable XKB Terminal
X1502WV-XXK-N0SN	Nylon 66 UL 94V-0	Brass	Tin-Plated	X1502H

Poles	Dimensions(mm)				
	A	B	C	Poles	Dimensions(mm)
02	1.50	4.50	3.70	09	12.00
03	3.00	6.00	5.20	10	13.50
04	4.50	7.50	6.70	11	15.00
05	6.00	9.00	8.20	12	16.50
06	7.50	10.50	9.70	13	18.00
07	9.00	12.00	11.20	14	19.50
08	10.50	13.50	12.70	15	21.00
08	10.50	13.50	12.70	15	21.00
					24.00
					23.20

- ① Series No. X1502 W V X-XX K-N0 SN XX
- ② Category: W-water
- ③ Welding Board Angle: V- Straight 180°
- ④ Welding Way: Blank-DIP
- ⑤ Row No.-Pin No.: XX-02P~12P
- ⑥ Plug the Pin & Special No.: K- kink
- ⑦ Material: N0-PA66 94V-0
- ⑧ Plating Category: SN-Bright tin plating
- ⑨ Color: Blank-Natural Color

- Specifications :
- Voltage rating: 50V AC / DC
 - Current rating: 1A AC / DC
 - Withstanding voltage: 500V AC/minute
 - Temperature range: -25°C~+85°C
 - Insulation resistance: ≥500MΩ
 - Contact resistance: ≤20mΩ
 - After environmental testing: ≤30mΩ

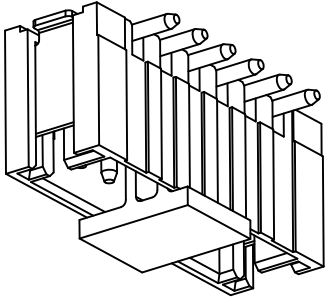
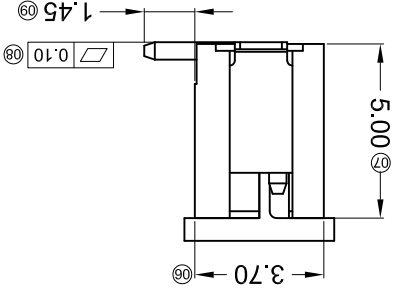
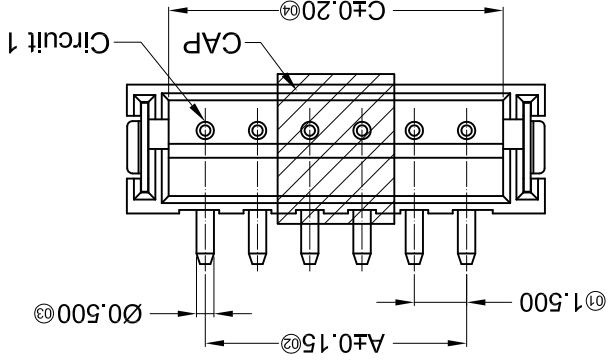
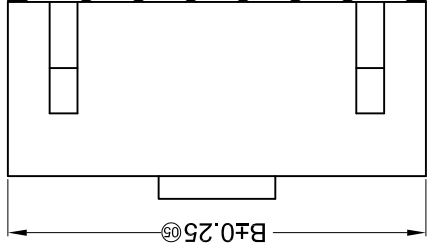
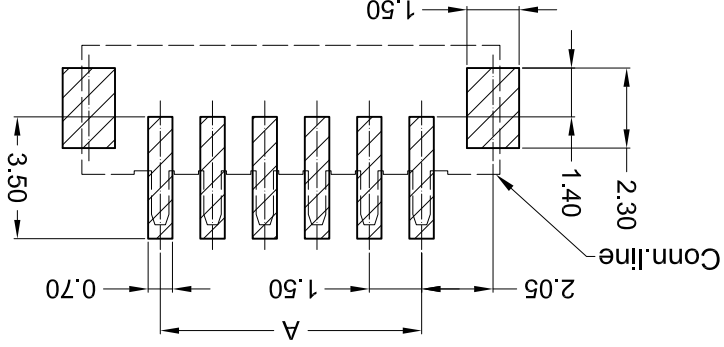
For and on behalf of
KXB INDUSTRIAL PRECISION CO., LIMITED
 香港星坤工業精密有限公司

MARK	DESCRIPTION	DATE	REVISD	APPROVED	UNSPECIFIED TOLERANCES
△ X					L > 63
△ X					16 > L ≤ 63
△ X					4 < L ≤ 16
△ X					L ≤ 4
					ANGULAR
					±5°

REVISIONS
 Authorized Signature(s)

DSND	DATE	SCALE: N/A	MODEL TYPE: X1502WVS-XX-XXSN
DWN	DATE	VIEW:	PART NO.:
CHKD	DATE	UNIT: mm	DWG NO.:
APPD	DATE	SIZE: A4	REVISION
			WEIGHT 1.0g
			SHEET 1/1
			REVISION A0

Recommended P.C.B Layout
 General Tolerance±0.05



PART NO	Material	Material(Pin)	Finsh(Pin)	Material (Solder Tabs)	Finish (Solder Tabs)	Suitable XKB Terminal
X1502WVS-XX-6TSN	PA9T UL 94V-0	Brass	Tin-Plated	Phosphor Bronze	Tin-Plated	X1502H
X1502WVS-XX-9TSN	PA9T UL 94V-0	Brass	Tin-Plated	Phosphor Bronze	Tin-Plated	X1502H
X1502WVS-XXHF-LPSW	LCP UL 94V-0 Halogen Free	Brass	Tin-Plated	Phosphor Bronze	Tin-Plated	X1502H

Poles	Dimensions(mm)		
	A	B	C
02	1.50	3.60	09
03	3.00	7.50	10
04	4.50	9.00	11
05	6.00	10.50	12
06	7.50	12.00	13
07	9.00	13.50	14
08	10.50	15.00	15

X1502 W V S-XX X-XX SN XX
 ① ② ③ ④ ⑤ ⑥ ⑦ ⑧ ⑨

- ① Series No.
- ② Category: W-water
- ③ Welding Board Angle: V- Straight 180°
- ④ Welding Way: S-SMT
- ⑤ Row No.-Pin No.: XX-02P~15P
- ⑥ Plug the Pin & Special No.:
- ⑦ Material: 6T -PA6T 94V-0 ; 9T- PA9T 94V-0 LP-LCP 94V-0
- ⑧ Plating Category: SN-Bright tin plating
- ⑨ Color: Blank-Natural Color

- Specifications :
- Voltage rating: 50V AC / DC
 - Current rating: 1A AC / DC
 - Withstanding voltage: 500V AC/minute
 - Temperature range: -25°C~+85°C
 - Insulation resistance: ≥500MΩ
 - Contact resistance: ≤20mΩ
 - After environmental testing: ≤30mΩ

For and on behalf of
KXB INDUSTRIAL PRECISION CO., LIMITED
 香港星坤工業精密有限公司
 REVISIONS
 Authorized Signature(s)

MARK	DESCRIPTION	DATE	REVISED	APPROVED	UNSPECIFIED TOLERANCES
△ X					L > 63 ± 0.5
△ X					16 < L ≤ 63 ± 0.4
△ X					4 < L ≤ 16 ± 0.3
△ X					L ≤ 4 ± 0.2
					ANGULAR ± 5°

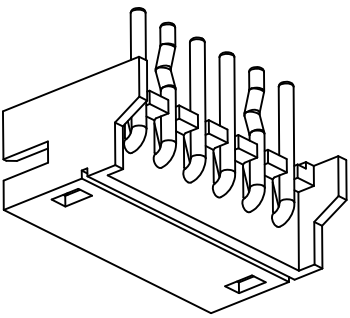
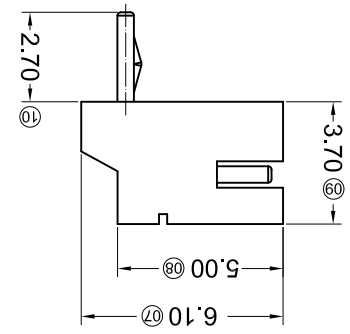
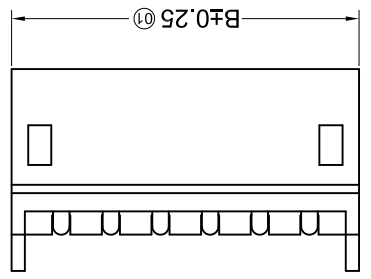
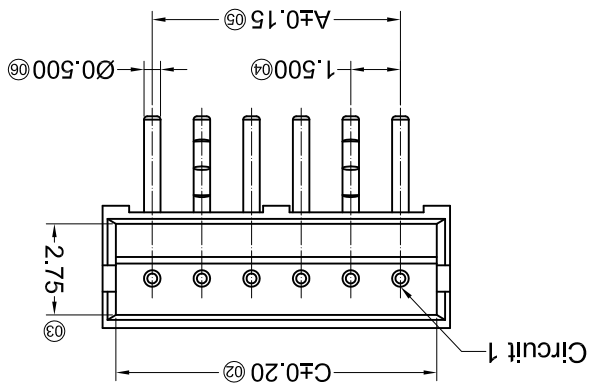
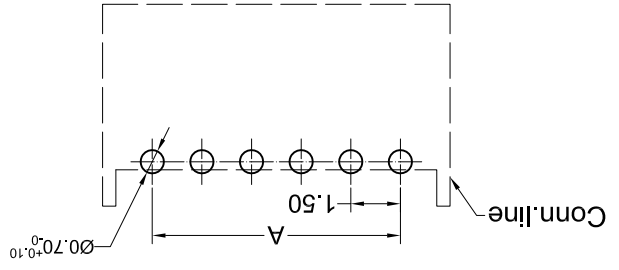
REVISION	SHEET	WEIGHT	SIZE: A4
A0	1/1	1.0g	

DATE	VIEW:	SCALE: N/A
	VIEW:	

DATE	DATE	DATE	DATE
DNSD	DWN	CHKD	APPD

MODEL TYPE:	PART NO.:	DWG NO.:
X1502WR-XXK-N0SN		1.50mm Crimp Style Connectors

Recommended P.C.B Layout
 General Tolerance ±0.05



PART NO	Material	Material(Pin)	Finish(Pin)	Suitable XKB Terminal
X1502WR-XXK-N0SN	Nylon 66 UL 94V-0	Brass	Tin-Plated	X1502H

Poles	Dimensions(mm)							
	A	B	C	Poles				
02	1.50	4.50	3.70	09	12.00	15.00	14.20	C
03	3.00	6.00	5.20	10	13.50	16.50	15.70	C
04	4.50	7.50	6.70	11	15.00	18.00	17.20	C
05	6.00	9.00	8.20	12	16.50	19.50	18.70	C
06	7.50	10.50	9.70	13	18.00	21.00	20.20	C
07	9.00	12.00	11.20	14	19.50	22.50	21.70	C
08	10.50	13.50	12.70	15	21.00	24.00	23.20	C

- ① Series No.
- ② Category: W-water
- ③ Welding Board Angle: R- Right Angle 90°
- ④ Welding Way: Blank-DIP
- ⑤ Row No.-Pin No.: XX-02P~15P
- ⑥ Plug the Pin & Special No.: K-kink
- ⑦ Material: N0-PA66 94V-0
- ⑧ Plating Category: SN-Bright tin plating
- ⑨ Color: Blank-Natural Color

X1502 W R X-XX K-N0 SN XX
 ① ② ③ ④ ⑤ ⑥ ⑦ ⑧ ⑨

- Specifications :
- Voltage rating: 50V AC / DC
 - Current rating: 1A AC / DC
 - Withstanding voltage: 500V AC/minute
 - Temperature range: -25°C~+85°C
 - Insulation resistance: ≥500MΩ
 - Contact resistance: ≤20mΩ
 - After environmental testing: ≤30mΩ

For and on behalf of
XKB INDUSTRIAL PRECISION CO., LIMITED
香港星洲工業精密有限公司

MARK	DESCRIPTION	DATE	REVISED	APPROVED	UNSPECIFIED TOLERANCES
△ X					L > 63 ± 0.5
△ X					16 > L ≤ 63 ± 0.4
△ X					4 < L ≤ 16 ± 0.3
△ X					L ≤ 4 ± 0.2
					ANGULAR ± 5°

Authorized Signatures(s)

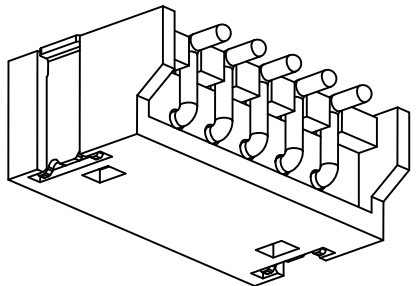
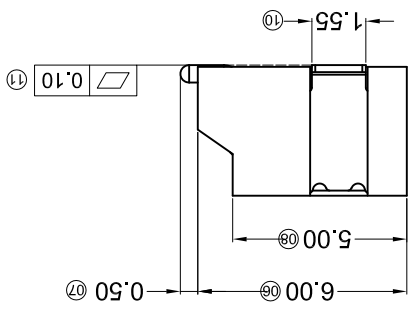
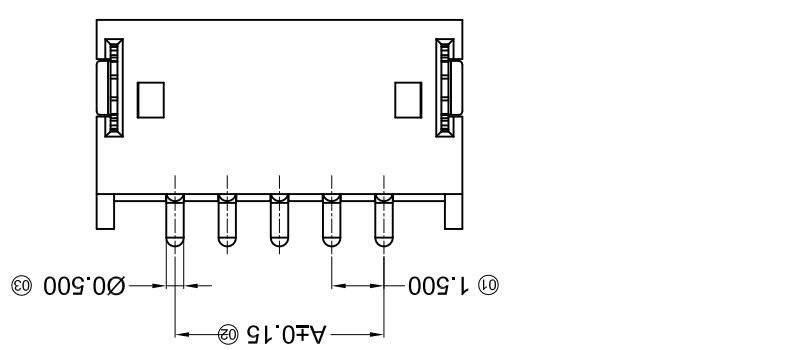
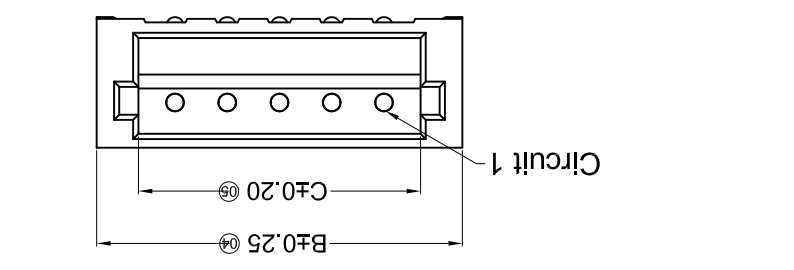
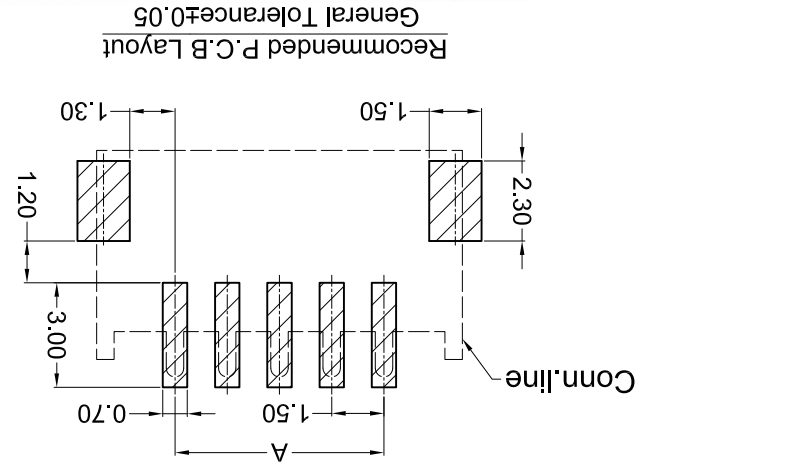
REVISION	SHEET	WEIGHT	1/1	1.0g
AO				

DSND	DATE	SCALE: N/A	MODEL TYPE: X1502WRS-XX-XXSN

DWN	DATE	VIEW:	PART NO.:

CHKD	DATE	UNIT: mm	DWG NO.:
			1.50mm Crimp Style Connectors

APPD	DATE	SIZE: A4	XKB INDUSTRIAL PRECISION CO., LIMITED



PART NO	Material	Material(Pin)	Finsh(Pin)	Material (Solder Tabs)	Finish (Solder Tabs)	Suitable XKB Terminal
X1502WRS-XX-6TSN	PA9T UL 94V-0	Brass	Tin-Plated	Phosphor Bronze	Tin-Plated	X1502H
X1502WRS-XX-9TSN	PA9T UL 94V-0	Brass	Tin-Plated	Phosphor Bronze	Tin-Plated	X1502H
X1502WRS-XXHF1.PSW	LCP UL 94V-0 Halogen Free	Brass	Tin-Plated	Phosphor Bronze	Tin-Plated	X1502H

Poles	Dimensions(mm)		
	A	B	C
02	1.50	6.00	3.60
03	3.00	7.50	5.10
04	4.50	9.00	6.60
05	6.00	10.50	8.10
06	7.50	12.00	9.60
07	9.00	13.50	11.10
08	10.50	15.00	12.60

Poles	Dimensions(mm)		
	A	B	C
02	12.00	16.50	16.50
03	13.50	18.00	18.00
04	15.00	19.50	19.50
05	16.50	21.00	21.00
06	18.00	22.50	22.50
07	19.50	24.00	24.00
08	21.00	25.50	25.50

X1502 W R S-XX X-XX SN XX

- ① Series No.
② Category: W-water
③ Welding Board Angle: R- Right Angle 90°
④ Welding Way: S-SMT
⑤ Row No.-Pin No.: XX-02P~15P
⑥ Plug the Pin & Special No.:
⑦ Material: 6T -PA6T 94V-0; 9T- PA9T 94V-0 LP-LCP 94V-0
⑧ Planting Category: SN-Bright tin plating
⑨ Color: Blank-Natural Color
- Specifications :
- Voltage rating: 50V AC / DC
 - Current rating: 1A AC / DC
 - Withstanding voltage: 500V AC/minute
 - Temperature range: -25°C~+85°C
 - Insulation resistance: ≥500MΩ
 - Contact resistance: ≤20mΩ
 - After environmental testing: ≤30mΩ

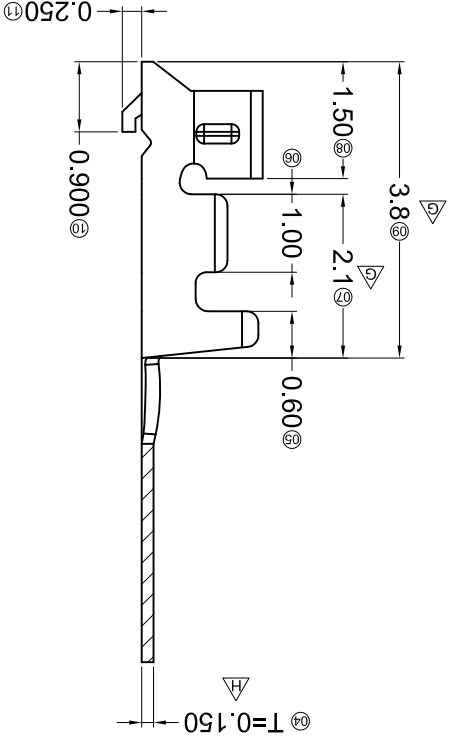
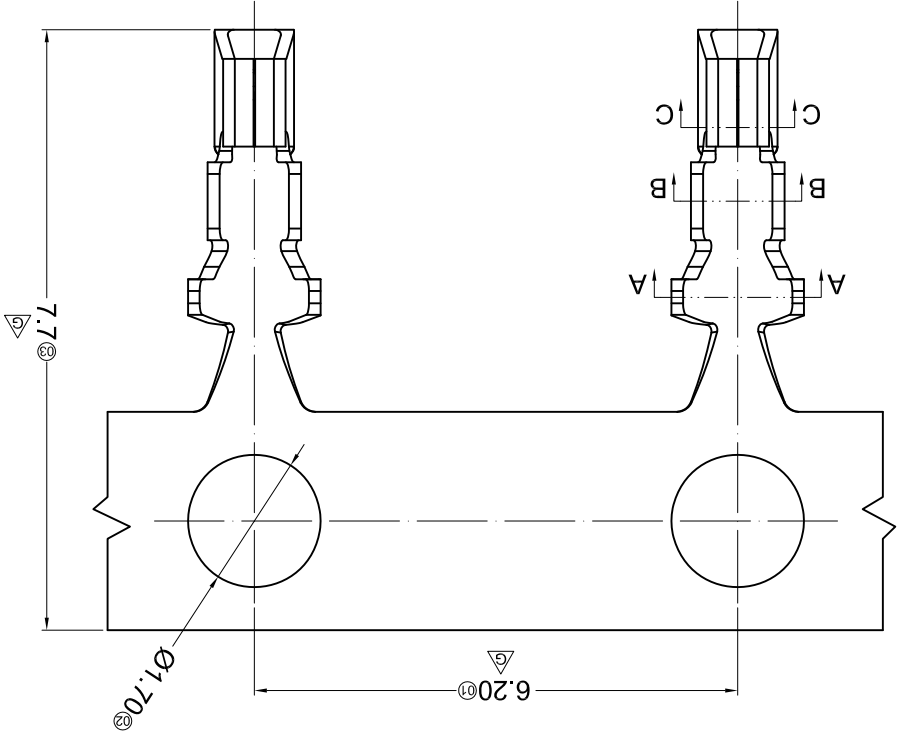
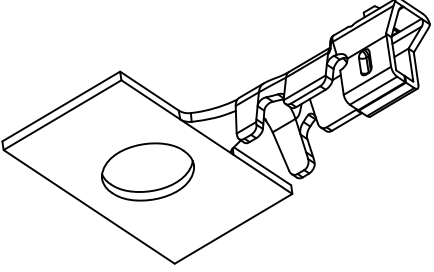
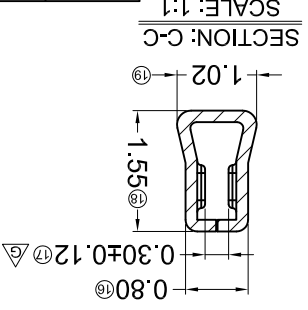
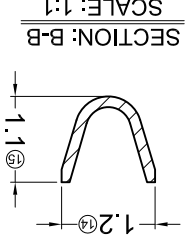
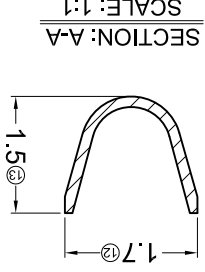
For and on behalf of
XKB INDUSTRIAL PRECISION CO., LIMITED
 香港星坤工業精密有限公司

MARK	DESCRIPTION	DATE	REVISED	APPROVED	UNSPECIFIED TOLERANCES
△ X					L > 63
△ X					16 < L ≤ 63
△ X					4 < L ≤ 16
△ X					L ≤ 4
					ANGULAR
					±5°

REVISION	SHEET	WEIGHT	DATE	DATE	DATE	DATE	DATE
A0	1/1	1.0g					

DSND	DWN	CHKD	APPD
SCALE: N/A	VIEW:	UNIT: mm	SIZE: A4
MODEL TYPE: X1502T-P/SN	PART NO.:	DWG NO.:	

PART NO	Material	Wire Range	Insulation O.D.	Finish	Suitable XKB Terminal
X1502T-P/SN	Phosphor Bronze	AWG#26-32	1.20mm(Max)	Stamping Before Plating: 30u" MIN. Ni; 70u" MIN. Sn	X1502H



Series Number
 X1502 T X-P SN X - X

① Series Number

② Category: T-Terminal

③ Shape: Blank-ordinary

④ Material: P-Phosphor bronze

⑤ Plating style: SN-Bright tin plating

⑥ Plating method: Blank-Stamping before plating

⑦ Mold No./Mark/Special No.

- Specifications :
- Voltage rating: 50V AC / DC
 - Current rating: 1A AC / DC
 - Withstanding voltage: 500V AC/minute
 - Temperature range: -25°C~+85°C
 - Insulation resistance: ≥500MΩ
 - Contact resistance: ≤20mΩ
 - After environmental testing: ≤30mΩ

REVISIONS
Authorized Signature(s)

MARK	DESCRIPTION	DATE	REVISED	APPROVED	UNSPECIFIED TOLERANCES
△ X					L > 63 ± 0.5
△ X					16 > L ≤ 63 ± 0.4
△ X					4 < L ≤ 16 ± 0.3
					L ≤ 4 ± 0.2
					ANGULAR ± 5°

For and on behalf of
XKB INDUSTRIAL PRECISION CO., LIMITED
香港星坤工業精密有限公司

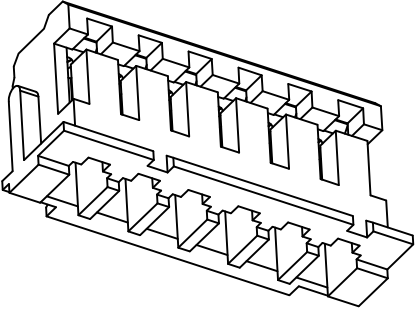
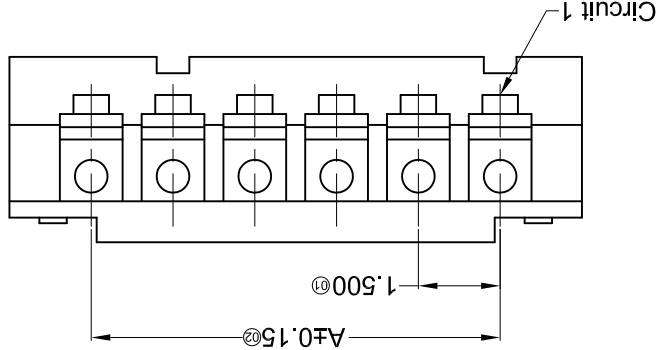
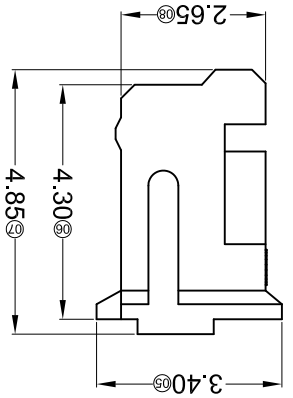
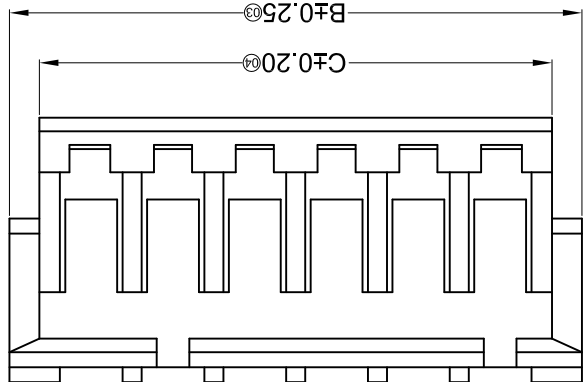
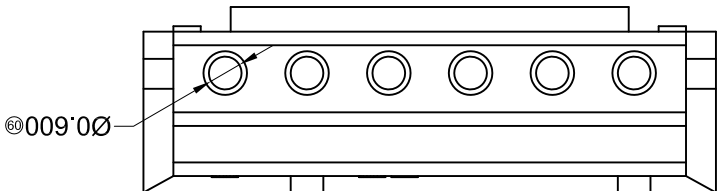
XKB INDUSTRIAL PRECISION CO., LIMITED

WEIGHT	1.0g
SHEET	1/1
REVISION	A0

DSND	DATE	SCALE: N/A	MODEL TYPE: X1502H-XX-N0
DWN	DATE	VIEW:	PART NO.:
CHKD	DATE	UNIT: mm	DWG NO.:
APPD	DATE	SIZE: A4	

PART NO	Material	Suitable XKB Terminal	Suitable XKB Terminal
X1502H-XX-N0	PA66 UL 94V-0	X1502T	X1502W

Poles	Dimensions(mm)		
	A	B	C
02	1.50	4.50	3.40
03	3.00	6.00	4.90
04	4.50	7.50	6.40
05	6.00	9.00	7.90
06	7.50	10.50	9.40
07	9.00	12.00	10.90
08	10.50	13.50	12.40



X1502 H X-XX X-N0 XX
① ② ③ ④ ⑤ ⑥ ⑦

- ① Series No.
- ② Category: H-HSG
- ③ Welding Board Angle: Blank-ordinary
- ④ Row No.-Pin No.: XX-02P~15P
- ⑤ Plug the Pin & special No.:
- ⑥ Material: N0-PA66 94V-0
- ⑦ Color: Blank-natural color

- Voltage rating: 50V AC / DC
- Current rating: 1A AC / DC
- Withstanding voltage: 500V AC/minute
- Temperature range: -25°C~+85°C
- Insulation resistance: ≥500MΩ
- Contact resistance: ≤20mΩ
- After environmental testing: ≤30mΩ

■ Specifications :

X-ON Electronics

Largest Supplier of Electrical and Electronic Components

Click to view similar products for [Headers & Wire Housings](#) category:

Click to view products by [XKB](#) manufacturer:

Other Similar products are found below :

[95000-104TRLF](#) [10135584-644402LF](#) [DF62W-EP2022PCA](#) [95000-106TRLF](#) [DF62W-2022SCA](#) [DF62W-EP2022PC](#) [2203348](#) [DF62W-2022SC](#) [1084018](#) [1029039](#) [1084017](#) [802-10-012-10-002000](#) [1112640](#) [1112639](#) [891-007-9SS-BST1T](#) [000-34000](#) [0008550134](#) [0009482033](#) [0009507031](#) [57102-F02-18ULF](#) [57102-S06-03LF](#) [57202-S52-04LF](#) [PCN6-15S-2.5E](#) [0039019024](#) [58102-G61-06LF](#) [582553-1](#) [0009485154](#) [0009508121](#) [0022285053](#) [0050291907](#) [018731A](#) [LY20-4P-DT1-P1E-BR](#) [02.125.8002.8](#) [60101931](#) [60598-1 \(Cut Strip\)](#) [M1625-3R/100](#) [61062-3](#) [61082-181009](#) [CSU011177004](#) [636-1427](#) [638009-1](#) [641938-9](#) [641991-4](#) [644168-1](#) [644827-2](#) [647662-1](#) [65039-019ELF](#) [65692-001LF](#) [65781-018](#) [65781-047](#)