

For and on behalf of
XKB INDUSTRIAL PRECISION CO., LIMITED
 香港星坤工業精密有限公司

MARK	DESCRIPTION	DATE	REVISED	APPROVED	UNSPECIFIED TOLERANCES
△ X					L > 63
△ X					16 < L ≤ 63
△ X					4 < L ≤ 16
△ X					L ≤ 4
					ANGULAR ±5°

REVISIONS	DATE	REVISED	APPROVED	UNSPECIFIED TOLERANCES
				L > 63
				16 < L ≤ 63
				4 < L ≤ 16
				L ≤ 4
				ANGULAR ±5°

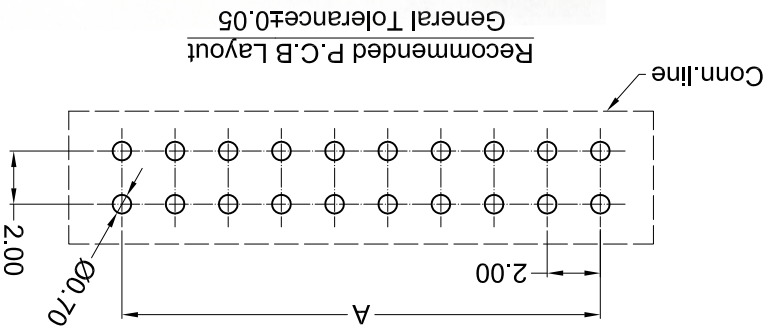
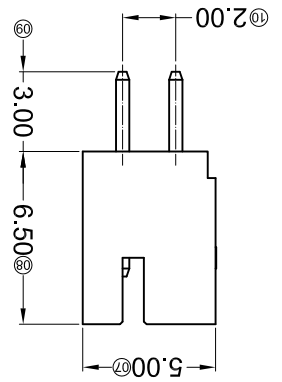
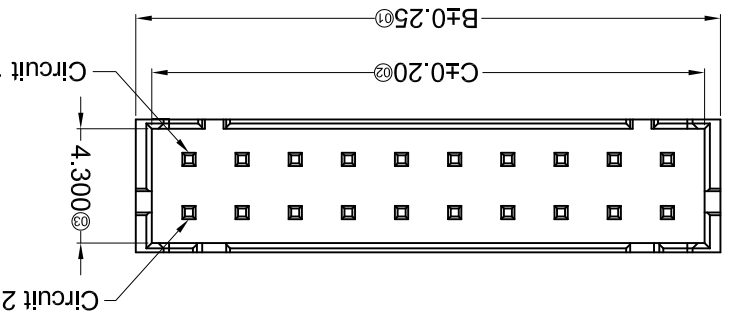
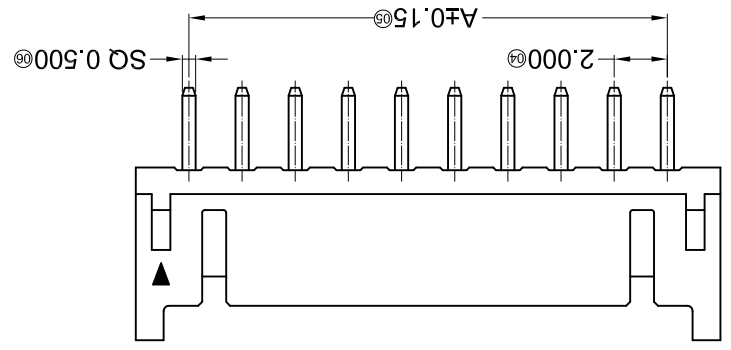
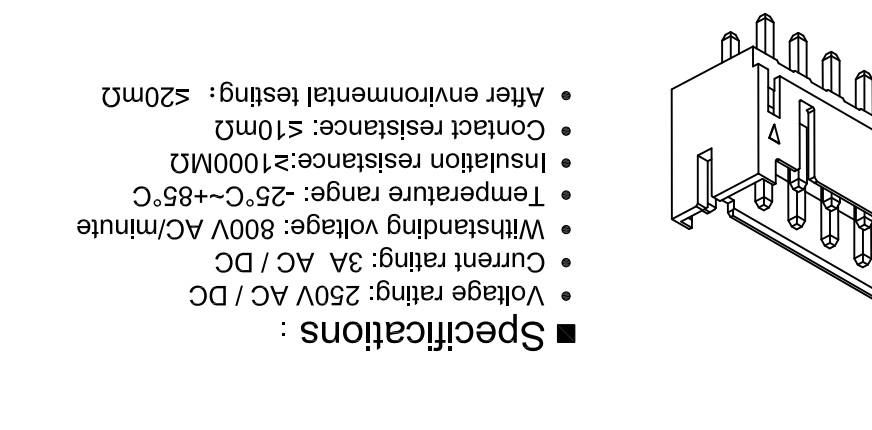
DSND	DATE	SCALE: N/A	MODEL TYPE: X2026WV-2*XX-N0XXXX
DWN	DATE	VIEW:	PART NO.:
CHKD	DATE	UNIT: mm	DWG NO.:
APPD	DATE	SIZE: A4	

PART NO	Material	Material (Pn)	Finish (Pn)	Suitable XKB Terminal
X2026WV-2*XX-N0NSN	PA66 UL 94V-0	Brass	Thn-Plated	X2026H
X2026WV-2*XX-N0V01	PA66 UL 94V-0		Gold-Flash	
X2026WV-2*XX-N0SNMWH	PA66 UL 94V-0 White		Thn-Plated	
X2026WV-2*XXHF-N0SNBK (Halogen Free)	PA66 UL 94V-0 Black		Thn-Plated	

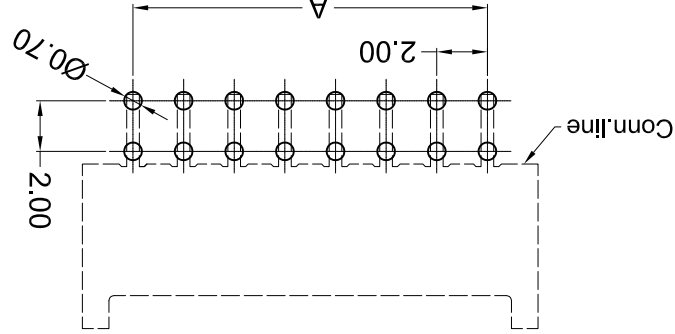
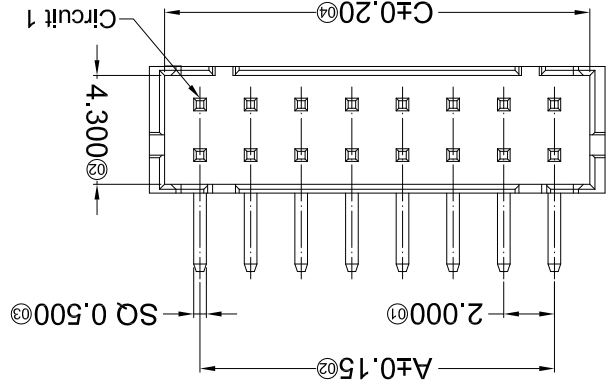
Poles	Dimensions (mm)			Poles	Dimensions (mm)			Poles	Dimensions (mm)			
	A	B	C		A	B	C		A	B	C	
2*02	2.00	6.00	2*09	4.80	2*09	16.00	20.00	18.80	2*16	30.00	34.00	32.80
2*03	4.00	8.00	2*10	6.80	2*10	18.00	22.00	20.80	2*17	32.00	36.00	34.80
2*04	6.00	10.00	2*11	8.80	2*11	20.00	24.00	22.80	2*18	34.00	38.00	36.80
2*05	8.00	12.00	2*12	10.80	2*12	22.00	26.00	24.80	2*19	36.00	40.00	38.80
2*06	10.00	14.00	2*13	12.80	2*13	24.00	28.00	26.80	2*20	38.00	42.00	40.80
2*07	12.00	16.00	2*14	14.80	2*14	26.00	30.00	28.80	2*21	40.00	44.00	42.80
2*08	14.00	18.00	2*15	16.80	2*15	28.00	32.00	30.80	2*22	42.00	46.00	44.80

① Series No. X2026 W V X-2*XX X-N0 XXX XX
 ② Category: W-WAFER
 ③ Welding Board Angle: V-Straight 180°
 ④ Welding Way: Blank-DIP
 ⑤ Row No.-Pin No.: 2*XX-2*02P~2*22P
 ⑥ Plug the Pin & Special No.: HF-Halogen Free
 ⑦ Material: NO-PA66 94V-0
 ⑧ Plating Category: SN-Bright Tin Plating;
 V01-Gold Flash
 ⑨ Color: Blank-Natural Color; BK-Black;WH-White

- Voltage rating: 250V AC / DC
- Current rating: 3A AC / DC
- Withstanding voltage: 800V AC/minute
- Temperature range: -25°C~+85°C
- Insulation resistance: ≥1000MΩ
- Contact resistance: ≤10mΩ
- After environmental testing: ≤20mΩ



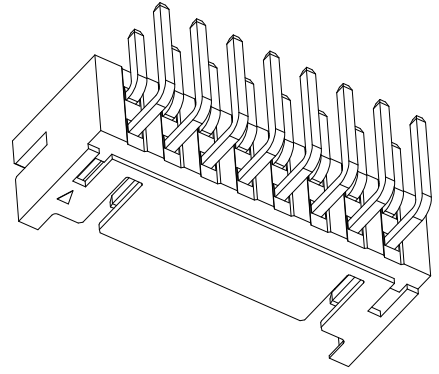
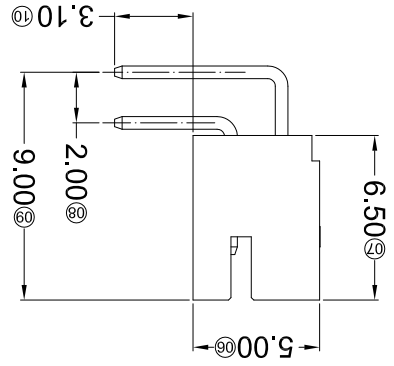
Recommended P.C.B Layout
 General Tolerance±0.05



Recommended P.C.B Layout
General Tolerance±0.05

For and on behalf of
XKB INDUSTRIAL PRECISION CO., LIMITED
香港星坤工業精密有限公司

MARK	DESCRIPTION	DATE	REVISED	APPROVED	UNSPECIFIED TOLERANCES
△ X					±0.5
△ X					16 > L ≤ 63
△ X					4 < L ≤ 16
					L ≤ 4
					ANGULAR ±5°



X2026 W R X-2*XX S-N0 SN XX
① ② ③ ④ ⑤ ⑥ ⑦ ⑧ ⑨

- ① Series No.
- ② Category: W-WAFFER
- ③ Welding Board Angle: R-Right Angle 90°
- ④ Welding Way: Blank-DIP
- ⑤ Row No.-Pin No.: 2*XX-2*02P~2*22P
- ⑥ Plug the Pin & Special No.:
- ⑦ Without Positioning baffles on both side
- ⑧ Material: N0-PA66 94V-0
- ⑨ Plating Category: SN-Bright Tin Plating;
- ⑩ Color: Blank-Natural Color

PART NO	Material	Material(Fin)	Finish(Fin)	Poles			Suitable XKB Terminal								
				Dimensions (mm)	A	B	C	Dimensions (mm)	A	B	C				
X2026WR-2*XXS-N0SN	PA66 UL 94V-0	Brass	Th-Plated	2.08	14.00	18.00	16.80	2.15	28.00	32.00	30.80	2.22	42.00	46.00	44.80
				2.07	12.00	16.00	14.80	2.14	26.00	30.00	28.80	2.21	40.00	44.00	42.80
				2.06	10.00	14.00	12.80	2.13	24.00	28.00	26.80	2.20	38.00	42.00	40.80
				2.05	8.00	12.00	10.80	2.12	22.00	26.00	24.80	2.19	36.00	40.00	38.80
				2.04	6.00	10.00	8.80	2.11	20.00	24.00	22.80	2.18	34.00	38.00	36.80
				2.03	4.00	8.00	6.80	2.10	18.00	22.00	20.80	2.17	32.00	36.00	34.80
				2.02	2.00	6.00	4.80	2.09	16.00	20.00	18.80	2.16	30.00	34.00	32.80

DSND	DATE	SCALE: N/A	MODEL TYPE: X2026WR-2*XXS-N0SN
CHKD <th>DATE</th> <th>UNIT: mm</th> <th>DWG NO.:</th>	DATE	UNIT: mm	DWG NO.:
APPD <th>DATE</th> <th>SIZE: A4</th> <th>REVISION</th>	DATE	SIZE: A4	REVISION
			WEIGHT 1.0g
			SHEET 1/1
			REVISION A0

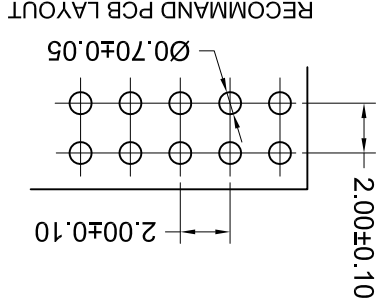
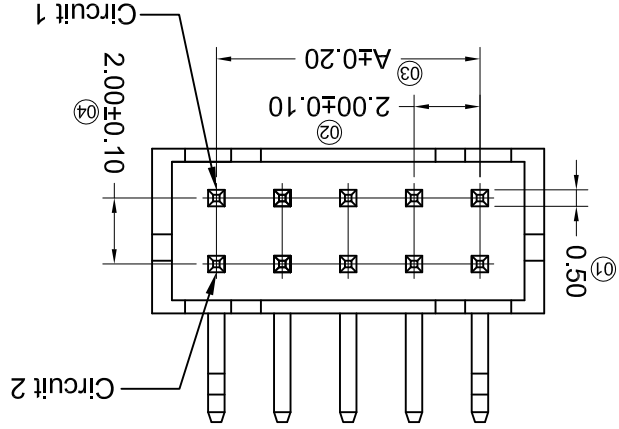
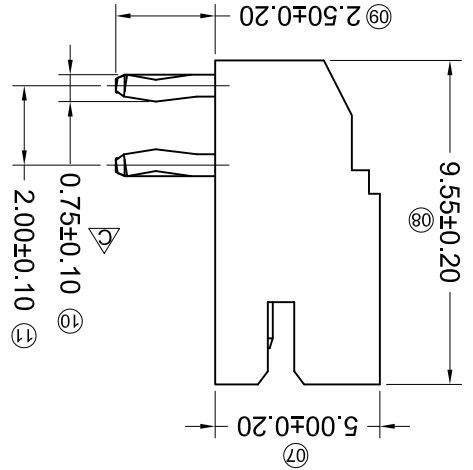
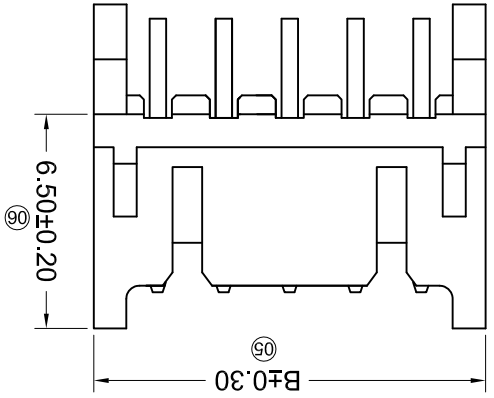
- Specifications:
- Voltage rating: 250V AC / DC
- Current rating: 3A AC / DC
- Withstanding voltage: 800V AC/minute
- Temperature range: -25°C~+85°C
- Insulation resistance: ≥1000MΩ
- Contact resistance: ≤10mΩ
- After environmental testing: ≤20mΩ

For and on behalf of
XKB INDUSTRIAL PRECISION CO., LIMITED
 香港星坤工業精密有限公司

MARK	DESCRIPTION	DATE	REVISED	APPROVED	UNSPECIFIED TOLERANCES
△ X					L > 63 ± 0.5
△ X					16 > L ≤ 63 ± 0.4
△ X					4 < L ≤ 16 ± 0.3
△ X					L ≤ 4 ± 0.2
					ANGULAR ± 5°

XKB INDUSTRIAL PRECISION CO., LIMITED	WEIGHT	1.0g
	SHEET	1/1
	REVISION	A0
REVISED SIGNATURE(S)		

PART NO	Material	Material(Pin)	Finish(Pin)	Suitable XKB Terminal	Q'ty/Bag
X2026WR-2*XXK-N0SN	Nylon 66 UL 94V-0	Brass	Tin-Plated	X2026H	1,000Pcs



- Specifications :
 - Voltage rating: 250V AC / DC
 - Current rating: 3A AC / DC
 - Withstanding voltage: 800V AC/minute
 - Temperature range: -25°C~+85°C
 - Insulation resistance: ≥1000MΩ
 - Contact resistance: ≤10mΩ
 - After environmental testing : ≤20mΩ

- ① Series No
- ② Category: W-WAFER
- ③ Welding Board Angle: R-90°
- ④ Welding Way: Blank-DIP
- ⑤ Row No.-Pin No.: 2*XX-Double Row
- ⑥ Plug the Pin & Special No:
- ⑦ Material: N0-PA66 94V-0
- ⑧ Plating Category:
- ⑨ G*-Gold Plated Contact
- V*- All Gold-Plated
- 01-Gold Flash 02-2u" 03-3u" 05-5u"
- 10-10u" 15-15u" 30-30u" 50-50u"
- SN-Bright Tin Plating (70-120u")
- SN1-Bright Tin Plating (120u" Min).
- SW-Fog Tin Plating
- HS-Hight temperature Tin
- ⑩ Color : Blank-Natural Color

Dimension(mm)	A	B
04	2.00	6.00
06	4.00	8.00
08	6.00	10.00
10	8.00	12.00
12	10.00	14.00
14	12.00	16.00
16	14.00	18.00
18	16.00	20.00
20	18.00	22.00
22	20.00	24.00
24	22.00	26.00
26	24.00	28.00
28	26.00	30.00
30	28.00	32.00
32	30.00	34.00
34	32.00	36.00
36	34.00	38.00
38	36.00	40.00
40	38.00	42.00
42	40.00	44.00
44	42.00	46.00

Poles	A	B
X2026 W R X-2*XX K-N0 SN XX		

REVISIONS (Authorized Signature(s))

UNSPECIFIED TOLERANCES

For and on behalf of
XKB INDUSTRIAL PRECISION CO., LIMITED
香港星洲工業精密有限公司

MARK	DESCRIPTION	DATE	REVISED	APPROVED	UNSPECIFIED TOLERANCES
△ X					L > 63
△ X					16 < L ≤ 63
△ X					4 < L ≤ 16
△ X					L ≤ 4
					ANGULAR ±5°

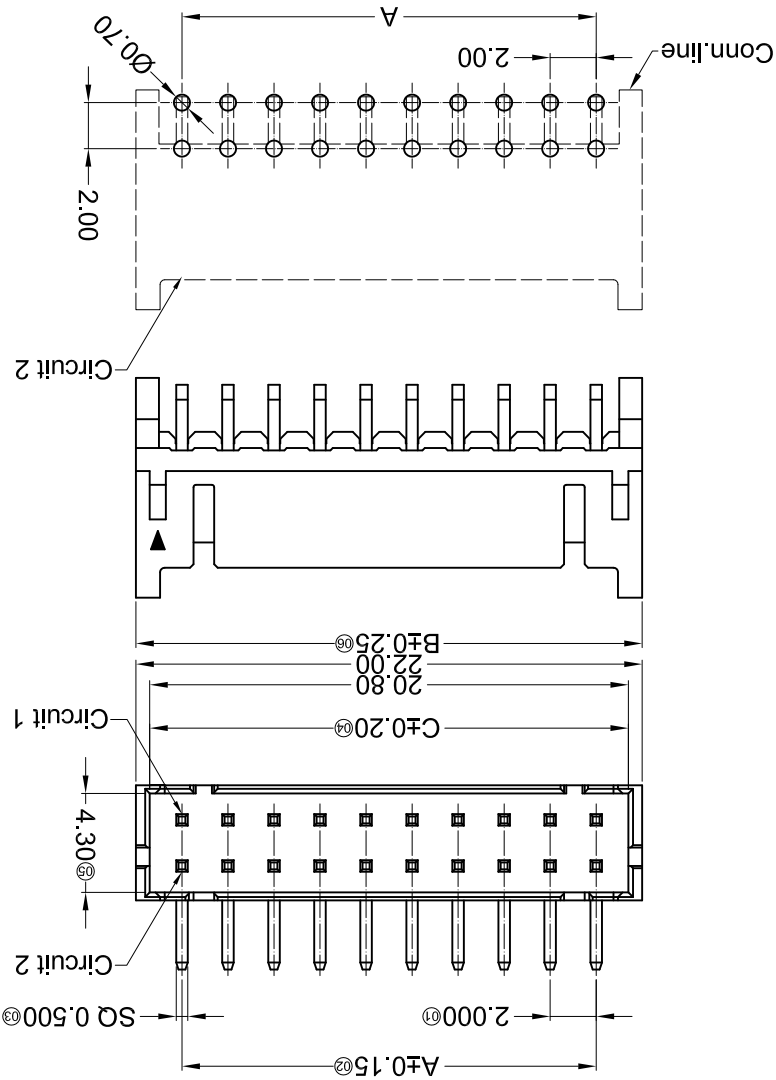
XKB INDUSTRIAL PRECISION CO., LIMITED

DATE	DATE	DATE	DATE	DATE
SIZE: A4	UNIT: mm	VIEW:	SCALE: N/A	MODEL TYPE: X2026WR-2*XX-N0XXX
APPD	CHKD	DWN	DSND	

WEIGHT 1.0g
SHEET 1/1
REVISION A0

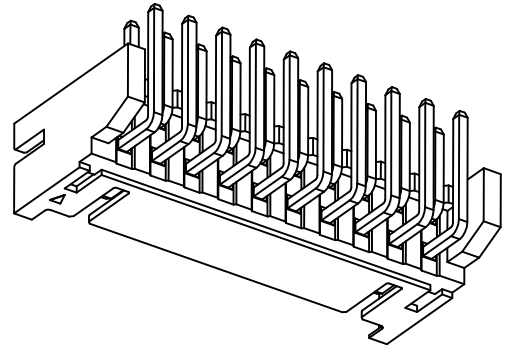
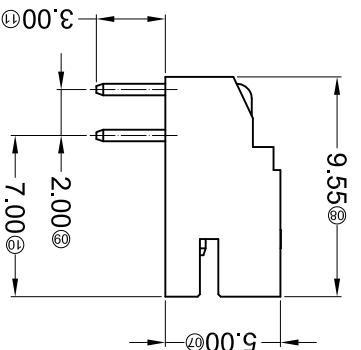
DWG NO.:
2.00mm Crimp Style Connectors
PART NO.:

Recommended P.C.B Layout
General Tolerance±0.05



PART NO	Material	Material(Fin)	Finish(Fin)	Suitable XKB Terminal
X2026WR-2*XX-N0SN	PA66 UL 94V-0	Brass	Thn-Plated	X2026H
X2026WR-2*XX-N0V01	PA66 UL 94V-0	Brass	Gold-Flash	X2026H

Poles	Dimensions (mm)	Poles	Dimensions (mm)	Poles	Dimensions (mm)	Poles	Dimensions (mm)
A	2.00	B	6.00	C	4.80	2*09	18.00
B	8.00	8.80	2*11	20.00	24.00	22.80	2*18
C	10.00	10.80	2*12	22.00	26.00	24.80	2*19
	12.00	12.80	2*13	24.00	28.00	26.80	2*20
	14.00	14.80	2*14	26.00	30.00	28.80	2*21
	16.00	16.80	2*15	28.00	32.00	30.80	2*22
	18.00	18.00	2*16	30.00	34.00	32.00	2*23
	20.00	20.00	2*17	32.00	36.00	34.80	2*24
	22.00	22.00	2*18	34.00	38.00	36.80	2*25
	24.00	24.00	2*19	36.00	40.00	38.80	2*26
	26.00	26.00	2*20	38.00	42.00	40.80	2*27
	28.00	28.00	2*21	40.00	44.00	42.80	2*28
	30.00	30.00	2*22	42.00	46.00	44.80	2*29
	32.00	32.00	2*23	44.00	48.00		



X2026 WR X-2*XX X -N0 XXX XX

- ① Series No.
- ② Category: W-WAFER
- ③ Welding Board Angle: R-Right Angle 90°
- ④ Welding Way: Blank-DIP
- ⑤ Row No.-Pin No.: 2*XX-2*02P~2*22P
- ⑥ Plug the Pin & Special No.:
- ⑦ Material: N0-PA66 94V-0
- ⑧ Plating Category: SN-Bright Tin Plating;
- ⑨ V01-All Gold Flash
- ⑩ Color: Blank-Natural Color

- Specifications :
- Voltage rating: 250V AC / DC
- Current rating: 3A AC / DC
- Withstanding voltage: 800V AC/minute
- Temperature range: -25°C~+85°C
- Insulation resistance: ≥1000MΩ
- Contact resistance: ≤10mΩ
- After environmental testing: ≤20mΩ

For and on behalf of
KKB INDUSTRIAL PRECISION CO., LIMITED
 香港星坤工業精密有限公司

Revisions Authorized Signatures(s)

MARK	DESCRIPTION	DATE	REVISED	APPROVED	UNSPECIFIED TOLERANCES
△ X					L > 63 ± 0.5
△ X					16 > L ≤ 63 ± 0.4
△ X					4 < L ≤ 16 ± 0.3
△ X					L ≤ 4 ± 0.2
					ANGULAR ± 5°

REVISION	SHEET	WEIGHT	DATE	DATE	DATE	DATE
A0	1/1	1.0g				

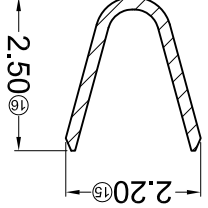
KKB INDUSTRIAL PRECISION CO., LIMITED

DSND	DATE	SCALE: N/A	MODEL TYPE: X2026T-PXXXX-L
DWN	DATE	VIEW:	PART NO.: 2.00mm Crimp Style Connectors
CHKD	DATE	UNIT: mm	DWG NO.:
APPD	DATE	SIZE: A4	

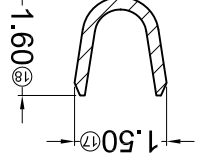
PART NO	Material	Wire Range	Insulation O.D.	Finish
X2026T-PG03-L	Phosphor Bronze	AWG#22-28	1.50mm(Max)	Stamping Before Plating: 30u" MIN. Ni, 70u" MIN. Sn
X2026T-PV01-L				Plating Before Stamping: 10u" Ni, 40-60u" Sn
X2026T-PNSB-L				Stamping Before Plating: 30u" MIN. Ni, Whole Gold Flash
X2026T-PV01-L				Stamping Before Plating: 30u" MIN. Ni, Contact Area Gold: 3u" Min.
X2026T-PG03-L				Stamping Before Plating: 30u" MIN. Ni

Suitable XKB Terminal

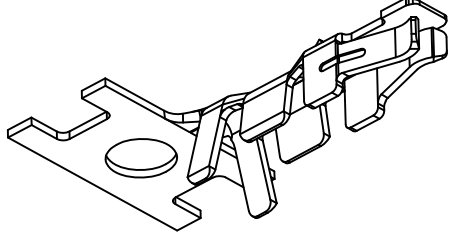
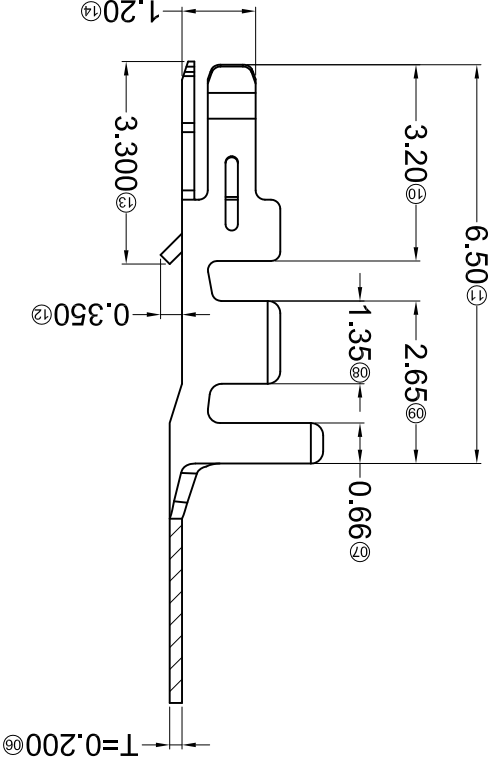
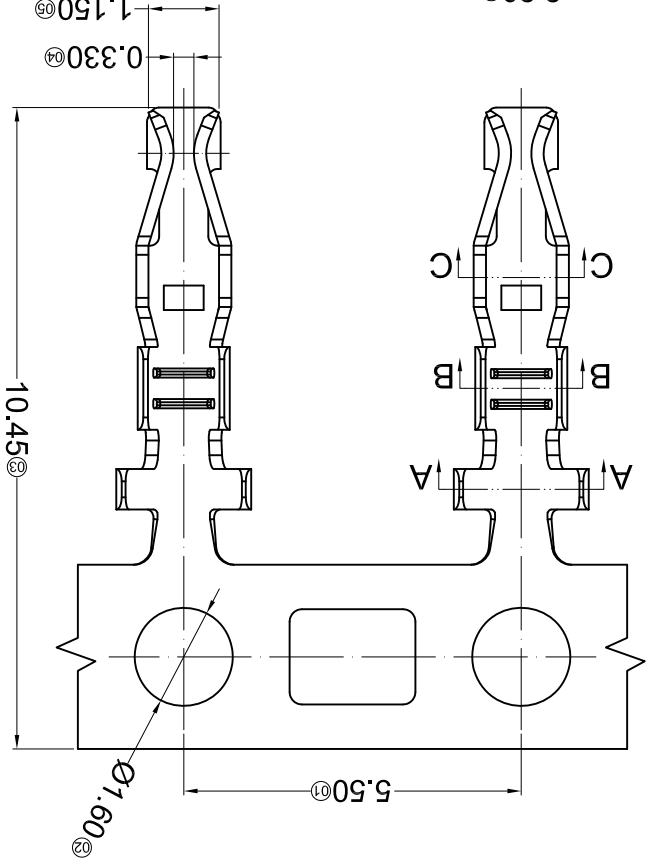
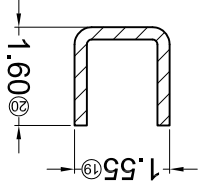
SECTION: A-A
SCALE: 1:1



SECTION: B-B
SCALE: 1:1



SECTION: C-C
SCALE: 1:1



X2026 T X-P XXX X - L

① Series Number

② Category: T-terminal

③ Shape: Blank-ordinary

④ Material: P-Phosphor bronze

⑤ Plating style: SN-Bright tin plating : V01-Gold Flash

⑥ Plating method: Blank-Stamping before plating

⑦ B-Plating before stamping

⑧ Mold No./Mark/Special No.: L- Loose

■ Specifications :

- Voltage rating: 250V AC / DC
- Current rating: 3A AC / DC
- Withstanding voltage: 800V AC/minute
- Temperature range: -25°C~+85°C
- Insulation resistance: ≥1000MΩ
- Contact resistance: ≤10mΩ
- After environmental testing : ≤20mΩ

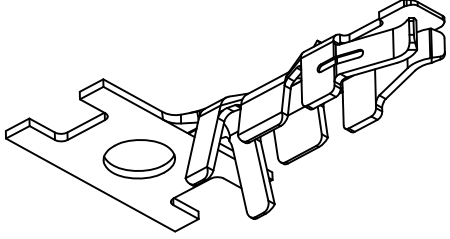
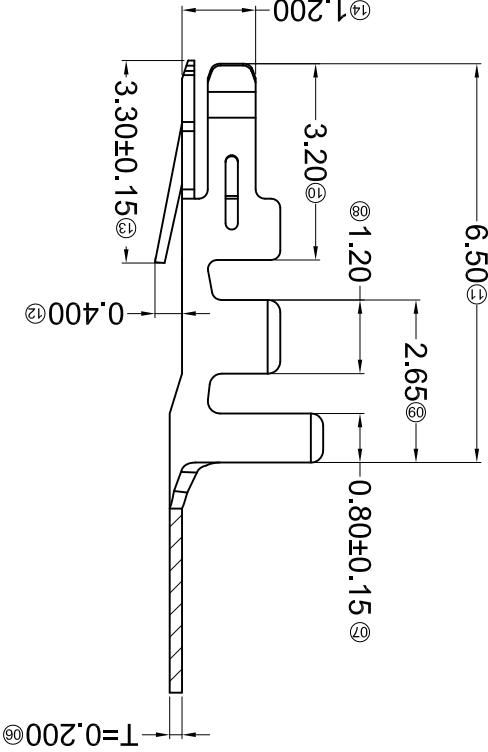
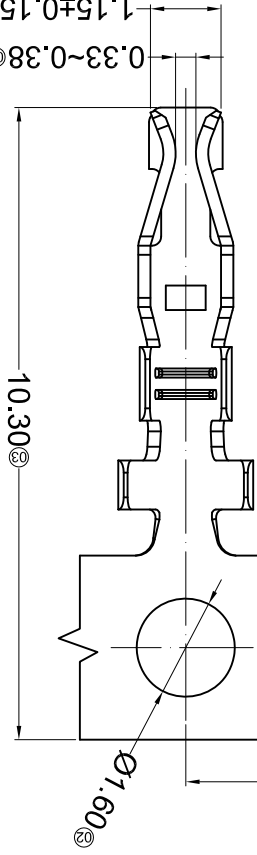
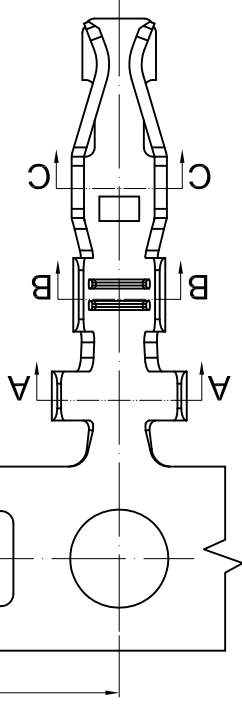
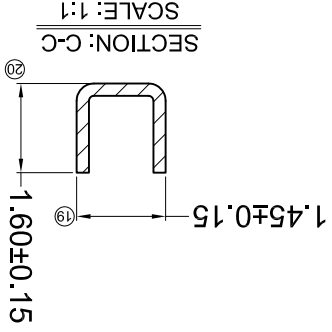
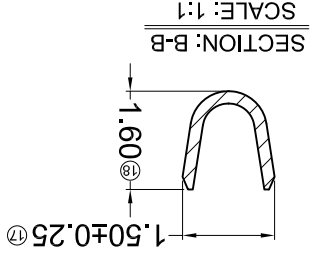
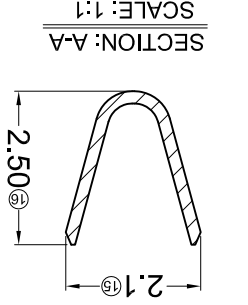
For and on behalf of
XKB INDUSTRIAL PRECISION CO., LIMITED
 香港星坤工業精密有限公司

Authorized Signatures

MARK	DESCRIPTION	DATE	REVISED	APPROVED	UNSPECIFIED TOLERANCES
△ X					L > 63
△ X					16 < L ≤ 63
△ X					4 < L ≤ 16
△ X					L ≤ 4
					ANGULAR
					± 5°

REVISION	SHEET	WEIGHT	1.0g	1/1	AO
XKB INDUSTRIAL PRECISION CO., LIMITED					
DNSD	DATE	SCALE: N/A	MODEL TYPE: X2026T-PSN-AQ		
DWN	DATE	VIEW:	PART NO.: 2.00mm Crimp Style Connectors		
CHKD	DATE	UNIT: mm	DWG NO.:		
APPD	DATE	SIZE: A4			

PART NO	Material	Wire Range	Insulation O.D.	Finish	Suitable XKB
X2026T-PSN-AQ	Phosphor Bronze	AWG#22-28	1.50mm(Max)	Stamping Before Plating: 30u" MIN, Ni: 70u" MIN, Sn	X2026H-B, 2026H-C
X2026T-SNB-AQ	Blank-ordinary			Plating Before Stamping: 10u" Ni: 40-60u" Sn	



X2026 T X-P SN X-AQ
 ① ② ③ ④ ⑤ ⑥ ⑦

- Specifications :
- Voltage rating: 250V AC / DC
- Current rating: 3A AC / DC
- Withstanding voltage: 800V AC/minute
- Temperature range: -25°C~+85°C
- Insulation resistance: ≥1000MΩ
- Contact resistance: ≤10mΩ
- After environmental testing: ≤20mΩ

- ① Series Number
- ② Category: T-terminal
- ③ Shape: Blank-ordinary
- ④ Material: P-Phosphor bronze
- ⑤ Plating style: SN-Bright tin plating ;
- ⑥ Plating method: Blank-Stamping before plating ;
- ⑦ B-Plating before stamping
- ⑦ Mold No./Mark/Special No.:
- ⑦ AQ- Mates with Lock Housing

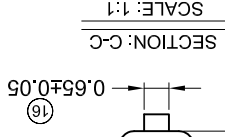
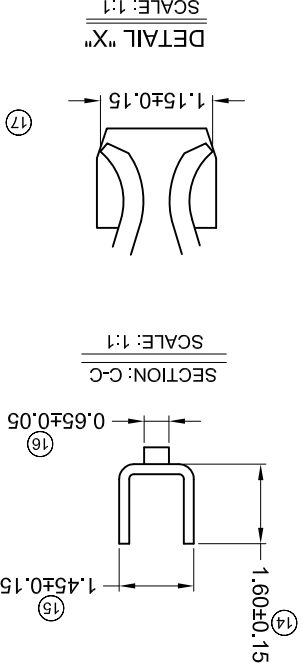
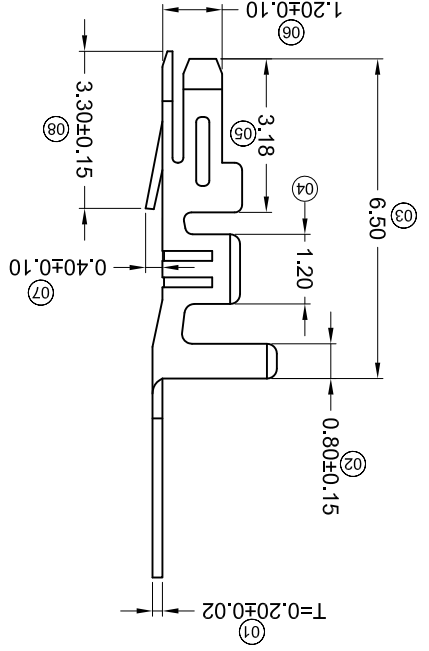
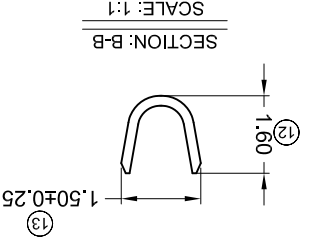
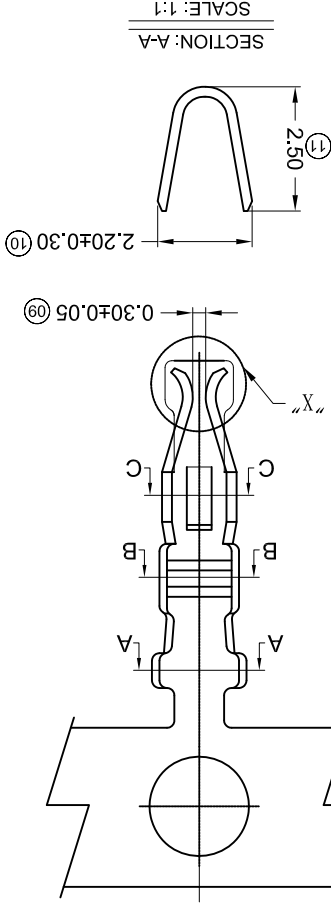
For and on behalf of
XKB INDUSTRIAL PRECISION CO., LIMITED
 香港星洲工業精密有限公司
 REVISIONS
 Authorized Signatures(s)

MARK	DESCRIPTION	DATE	REVISED	APPROVED	UNSPECIFIED TOLERANCES
△ X					± 0.5
△ X					16 > L ≤ 63
△ X					4 < L ≤ 16
△ X					L ≤ 4
					± 0.2
					ANGULAR
					± 5°

REVISION	SHEET	WEIGHT	DATE	DATE	DATE	DATE	DATE
A0	1/1	1.0g					

XKB INDUSTRIAL PRECISION CO., LIMITED	SIZE: A4	APPD	CHKD	DWN	DSND
DWG NO.:	UNIT: mm	DATE	DATE	DATE	DATE
2.00 mm Crimp Style Connector					
PART NO.:	VIEW:	DATE	DATE	DATE	DATE
X2026T-PSN-A					
MODEL TYPE:	SCALE: N/A				
X2026T-PSN-A					

PART NO	Material	Wire Range	Insulation O.D.	Finish	Suitable XKB	Q'ty/Reel
X2026T-PSN-A	Phosphor Bronze	AWG#22-28	1.50mm(Max)	Stamping before plating:30~50u" Ni;70~120u" Sn	X2026H-B;X2026H-C;X2026H-D	10,000Pcs
X2026T-PSB-A				Plating Before Stamping:10~30u" Ni;40~60u" Sn		



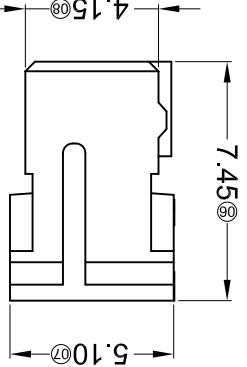
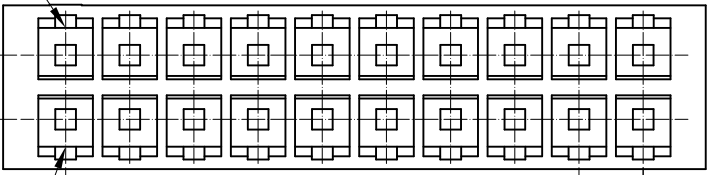
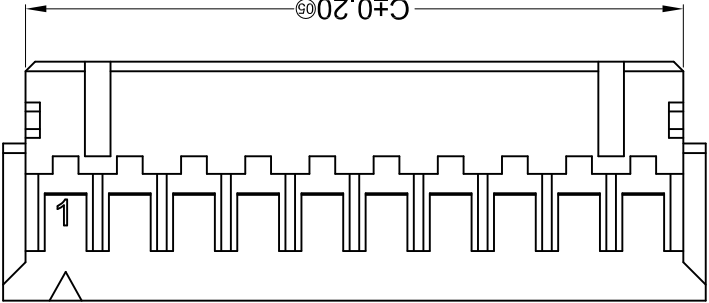
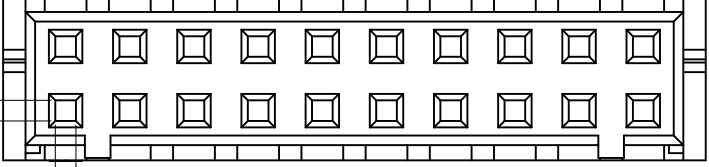
- Specifications :**
- Voltage rating: 250V AC / DC
 - Current rating: 3A AC / DC
 - Withstanding voltage: 1000V AC/minute
 - Temperature range: -25°C~+85°C
 - Insulation resistance: ≥1000MΩ
 - Contact resistance: ≤30mΩ
 - After environmental testing: ≤50mΩ
- X2026 T X-P SN X-A**
- ① Series No.
 ② Category: T-Terminal
 ③ Appearance type: Blank-Ordinary
 ④ Material: P-Phosphor bronze
 ⑤ Plating Style: G**-Gold Plated Contact
 V*- All Gold-Plated
 01-Gold Flash 02-2u" 03-3u"
 05-5u" 10-10u" 15-15u"
 SN-Bright Tin Plating (70-120u")
 SN1-Bright Tin Plating (120u" Min).
 0-No Plating Material
 SW-Fog Tin Plating
 ⑥ Plating Method : Blank-Stamping before Plating
 B-Plating before stamping
 ⑦ Mold No./Mark/Special No.
 A-Mating With Lock Housing

For and on behalf of
XKB INDUSTRIAL PRECISION CO., LIMITED
 香港星坤工業精密有限公司

MARK	DESCRIPTION	DATE	REVISED	APPROVED	UNSPECIFIED TOLERANCES
△ X					L > 63
△ X					16 < L ≤ 63
△ X					4 < L ≤ 16
△ X					L ≤ 4
					ANGULAR
					±5°

XKB INDUSTRIAL PRECISION CO., LIMITED

MODEL TYPE:	SCALE: N/A	DATE	
X2026H-2*XX-XX-N0			
PART NO.:	VIEW:	DATE	
2.00mm Crimp Style Connectors	UNIT: mm	DATE	
DWG NO.:	SIZE: A4		
REVISION	SHEET	WEIGHT	1.0g
A0	1/1		



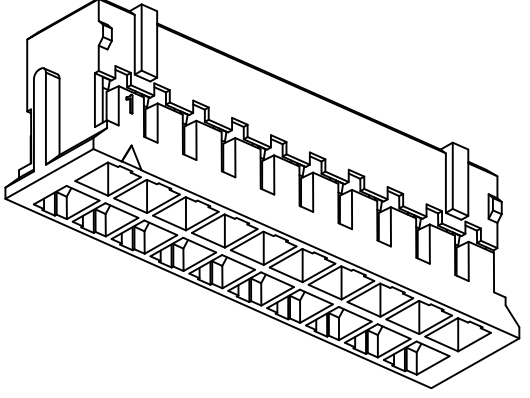
Poles	Dimensions (mm)		
	A	B	C
2*02	2.00	5.90	2*13
2*03	4.00	7.90	2*14
2*04	6.00	9.90	2*15
2*05	8.00	11.90	2*16
2*06	10.00	13.90	2*17
2*07	12.00	15.90	2*18
2*08	14.00	17.90	2*19
2*09	16.00	19.90	2*20
2*10	18.00	21.90	2*21
2*11	20.00	23.90	2*22
2*12	22.00	25.90	24.50

- ① Series No.
- ② Category: H-HSG
- ③ Appearance type: Blank-Ordinary
- ④ Row No.-Pin No.: 2*XX-2*02P~2*22P
- ⑤ Plug the Pin & special No.:
- ⑥ Material: NO-PA66 94V-0
- ⑦ Color: Blank-Natural Color

X2026 H X-2*XX HF-N0 XX

- Voltage rating: 250V AC / DC
- Current rating: 3A AC / DC
- Withstanding voltage: 800V AC/minute
- Temperature range: -25°C~+85°C
- Insulation resistance: ≥1000MΩ
- Contact resistance: ≤10mΩ
- After environmental testing: ≤20mΩ

■ Specifications :



1 2 3 4 5 6 7 8

A B C D E F

X-ON Electronics

Largest Supplier of Electrical and Electronic Components

Click to view similar products for [Headers & Wire Housings](#) category:

Click to view products by [XKB](#) manufacturer:

Other Similar products are found below :

[95000-104TRLF](#) [10135584-644402LF](#) [DF62W-EP2022PCA](#) [95000-106TRLF](#) [DF62W-2022SCA](#) [DF62W-EP2022PC](#) [2203348](#) [DF62W-2022SC](#) [1084018](#) [1029039](#) [1084017](#) [802-10-012-10-002000](#) [1112640](#) [1112639](#) [891-007-9SS-BST1T](#) [000-34000](#) [0008550134](#) [0009482033](#) [0009507031](#) [57102-F02-18ULF](#) [57102-S06-03LF](#) [57202-S52-04LF](#) [PCN6-15S-2.5E](#) [0039019024](#) [58102-G61-06LF](#) [582553-1](#) [0009485154](#) [0009508121](#) [0022285053](#) [0050291907](#) [018731A](#) [LY20-4P-DT1-P1E-BR](#) [02.125.8002.8](#) [60101931](#) [60598-1 \(Cut Strip\)](#) [M1625-3R/100](#) [61062-3](#) [61082-181009](#) [CSU011177004](#) [636-1427](#) [638009-1](#) [641938-9](#) [641991-4](#) [644168-1](#) [644827-2](#) [647662-1](#) [65039-019ELF](#) [65692-001LF](#) [65781-018](#) [65781-047](#)