

MARK		DESCRIPTION			DATE			REVISIONS			
△	X										
△	X										
△	X										

香港星坤工業精密有限公司  
 XKB INDUSTRIAL PRECISION CO., LIMITED  
 For and on behalf of

UNSPECIFIED TOLERANCES		
±5°	ANGULAR	
±0.2	L ≤ 4	
±0.3	4 < L ≤ 16	
±0.4	16 < L ≤ 63	
±0.5	L > 63	

DSND	DATE	SCALE: N/A	MODEL TYPE: X2026WR-2*XXS-N0SN
CHKD	DATE <td>UNIT: mm</td> <td>DWG NO.:</td>	UNIT: mm	DWG NO.:
APPD	DATE <td>SIZE: A4</td> <td></td>	SIZE: A4	

PART NO	Material	Material(Fin)	Finish(Fin)	Suitable XKB Terminal
X2026WR-2*XXS-N0SN	PA66 UL 94V-0	Brass	Th-Plated	X2026H

Poles	Dimensions (mm)		
	A	B	C
2*02	2.00	6.00	2*09
2*03	4.00	8.00	2*10
2*04	6.00	10.00	2*11
2*05	8.00	12.00	2*12
2*06	10.00	14.00	2*13
2*07	12.00	16.00	2*14
2*08	14.00	18.00	2*15
2*09	16.00	20.00	2*16
2*10	18.00	22.00	2*17
2*11	20.00	24.00	2*18
2*12	22.00	26.00	2*19
2*13	24.00	28.00	2*20
2*14	26.00	30.00	2*21
2*15	28.00	32.00	2*22
2*16	30.00	34.00	
2*17	32.00	36.00	
2*18	34.00	38.00	
2*19	36.00	40.00	
2*20	38.00	42.00	
2*21	40.00	44.00	
2*22	42.00	46.00	
2*23	44.00	48.00	

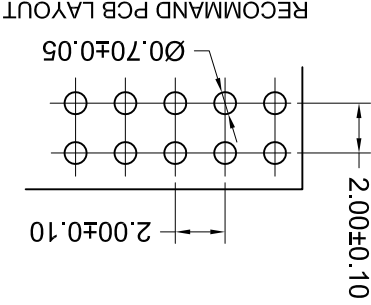
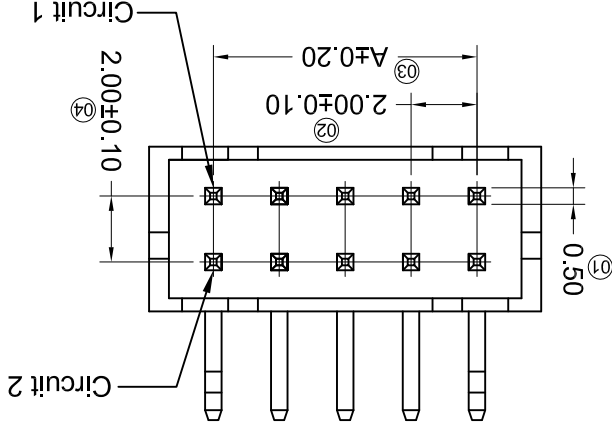
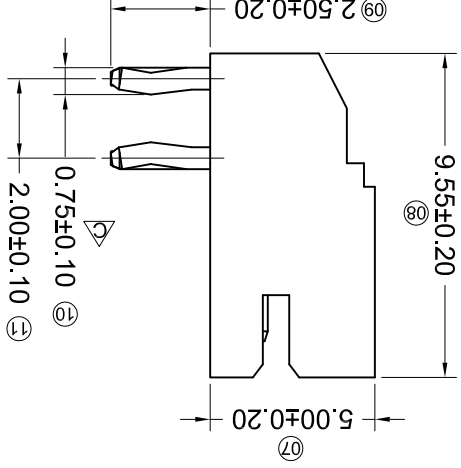
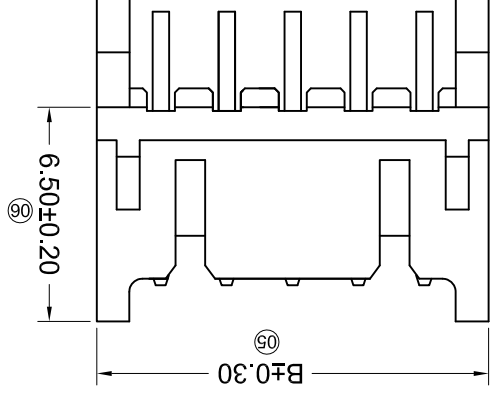
- ① Series No. X2026 W R X-2\*XX S-N0 SN XX
- ② Category: W-WAFFER
- ③ Welding Board Angle: R-Right Angle 90°
- ④ Welding Way: Blank-DIP
- ⑤ Row No.-Pin No.: 2\*XX-2\*02P~2\*22P
- ⑥ Plug the Pin & Special No.:
- ⑦ Without Positioning baffles on both side
- DIP=3.10mm
- ⑦ Material: N0-PA66 94V-0
- ⑧ Plating Category: SN-Bright Tin Plating;
- ⑨ Color: Blank-Natural Color

- Specifications:
- Voltage rating: 250V AC / DC
  - Current rating: 3A AC / DC
  - Withstanding voltage: 800V AC/minute
  - Temperature range: -25°C~+85°C
  - Insulation resistance: ≥1000MΩ
  - Contact resistance: ≤10mΩ
  - After environmental testing: ≤20mΩ

For and on behalf of  
**XKB INDUSTRIAL PRECISION CO., LIMITED**  
 香港星坤工業精密有限公司

MARK	DESCRIPTION	DATE	REVISED	APPROVED	UNSPECIFIED TOLERANCES
△ X					L > 63
△ X					16 > L ≤ 63
△ X					4 < L ≤ 16
△ X					L ≤ 4
					ANGULAR ±5°

PART NO	Material	Material(Pin)	Finish(Pin)	Suitable XKB Terminal	Q'ty/Bag
X2026WR-2*XXK-N0SN	Nylon 66 UL 94V-0	Brass	Tin-Plated	X2026H	1,000Pcs



- Specifications :
  - Voltage rating: 250V AC / DC
  - Current rating: 3A AC / DC
  - Withstanding voltage: 800V AC/minute
  - Temperature range: -25°C~+85°C
  - Insulation resistance: ≥1000MΩ
  - Contact resistance: ≤10mΩ
  - After environmental testing : ≤20mΩ

- X2026 W R X-2\*XX K-N0 SN XX
- ① Series No
  - ② Category: W-WAFER
  - ③ Welding Board Angle: R-90°
  - ④ Welding Way: Blank-DIP
  - ⑤ Row No.-Pin No.: 2\*XX-Double Row
  - ⑥ Plug the Pin & Special No:
  - ⑦ Material: N0-PA66 94V-0
  - ⑧ Plating Category:
  - G\*-Gold Plated Contact
  - V\*- All Gold-Plated
  - 01-Gold Flash 02-2u" 03-3u" 05-5u"
  - 10-10u" 15-15u" 30-30u" 50-50u"
  - SN-Bright Tin Plating (70-120u")
  - SN1-Bright Tin Plating (120u" Min).
  - SW-Fog Tin Plating
  - HS-Hight temperature Tin
  - ⑨ Color : Blank-Natural Color

Dimension(mm)	A	B
04	2.00	6.00
06	4.00	8.00
08	6.00	10.00
10	8.00	12.00
12	10.00	14.00
14	12.00	16.00
16	14.00	18.00
18	16.00	20.00
20	18.00	22.00
22	20.00	24.00
24	22.00	26.00
26	24.00	28.00
28	26.00	30.00
30	28.00	32.00
32	30.00	34.00
34	32.00	36.00
36	34.00	38.00
38	36.00	40.00
40	38.00	42.00
42	40.00	44.00
44	42.00	46.00

DSND	DATE	SCALE: N/A	MODEL TYPE:	X2026WR-2*XXK-N0SN
DWN	DATE <td>VIEW: </td> <td>PART NO.:</td> <td></td>	VIEW:	PART NO.:	
CHKD	DATE <td>UNIT: mm</td> <td>DWG NO.:</td> <td></td>	UNIT: mm	DWG NO.:	
APPD	DATE <td>SIZE: A4</td> <td>WEIGHT</td> <td>1.0g</td>	SIZE: A4	WEIGHT	1.0g
			SHEET	1/1
			REVISION	A0

**XKB INDUSTRIAL PRECISION CO., LIMITED**



For and on behalf of  
**KKB INDUSTRIAL PRECISION CO., LIMITED**  
 香港星坤工業精密有限公司

Revisions Authorized Signatures(s)

MARK	DESCRIPTION	DATE	REVISED	APPROVED	UNSPECIFIED TOLERANCES
△ X					L > 63 ± 0.5
△ X					16 > L ≤ 63 ± 0.4
△ X					4 < L ≤ 16 ± 0.3
△ X					L ≤ 4 ± 0.2
					ANGULAR ± 5°

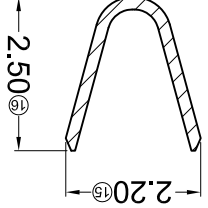
REVISION	SHEET	WEIGHT	DATE	DATE	DATE	DATE
A0	1/1	1.0g				

**KKB INDUSTRIAL PRECISION CO., LIMITED**

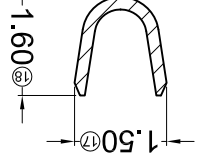
DSND	SCALE: N/A	VIEW:	UNIT: mm	SIZE: A4
DWN	MODEL TYPE: X2026T-PXXXX-L	PART NO.: X2026T-PXXXX-L	DWG NO.:	
CHKD				
APPD				

PART NO	Material	Wire Range	Insulation O.D.	Finish
X2026T-PG03-L	Phosphor Bronze	AWG#22-28	1.50mm(Max)	Stamping Before Plating: 30u" MIN, Ni: 70u" MIN, Ni: Sn
X2026T-PV01-L				Plating Before Stamping: 10u" Ni: 40-60u" Sn
X2026T-PNSB-L				Stamping Before Plating: 30u" MIN, Ni: Whole Gold Flash
X2026T-PV01-L				Stamping Before Plating: 30u" MIN, Ni: Contact Area Gold: 3u" Min.
X2026T-PG03-L				Stamping Before Plating: 30u" MIN, Ni: Contact Area Gold: 3u" Min.

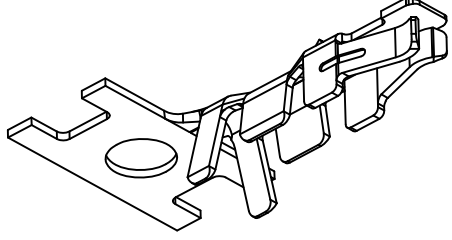
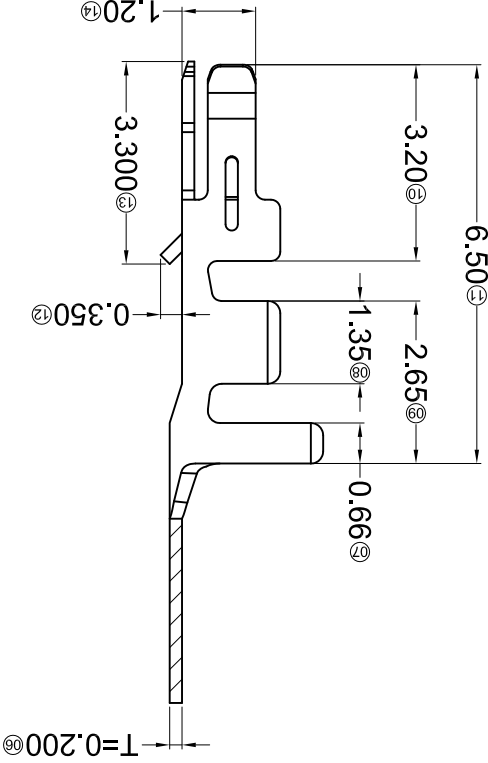
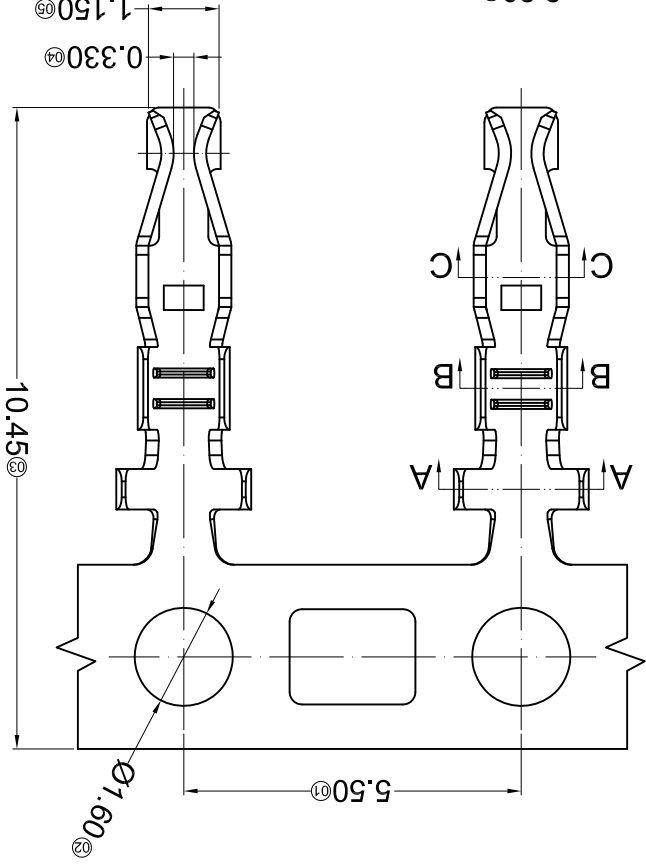
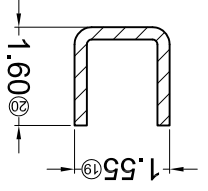
SECTION: A-A  
SCALE: 1:1



SECTION: B-B  
SCALE: 1:1



SECTION: C-C  
SCALE: 1:1



- ① Series Number  
 X2026 T X-P XXX X - L
- ② Category: T-terminal  
 ③ Shape: Blank-ordinary  
 ④ Material: P-Phosphor bronze  
 ⑤ Plating style: SN-Bright tin plating : V01-Gold Flash  
 G03-Gold 3u" Plated Contact  
 ⑥ Plating method: Blank-Stamping before plating  
 B-Plating before stamping  
 ⑦ Mold No./Mark/Special No.: L- Loose

- Specifications :
- Voltage rating: 250V AC / DC
  - Current rating: 3A AC / DC
  - Withstanding voltage: 800V AC/minute
  - Temperature range: -25°C~+85°C
  - Insulation resistance: ≥1000MΩ
  - Contact resistance: ≤10mΩ
  - After environmental testing: ≤20mΩ

For and on behalf of  
**XKB INDUSTRIAL PRECISION CO., LIMITED**  
 香港星坤工業精密有限公司

Authorized Signatures

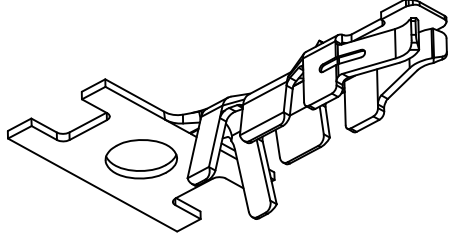
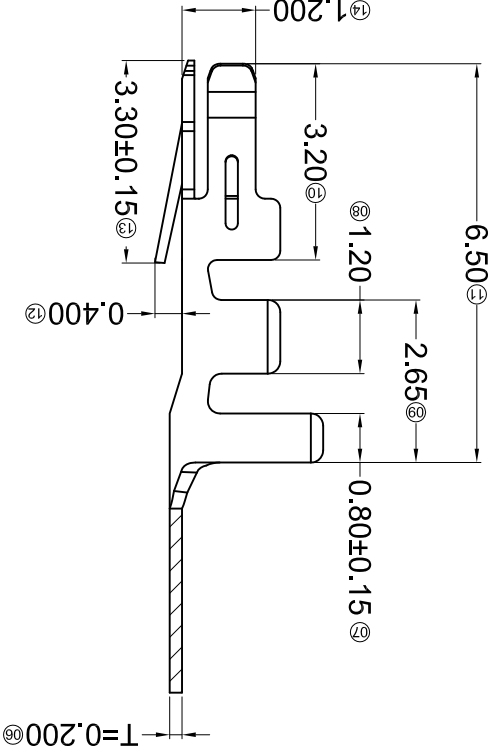
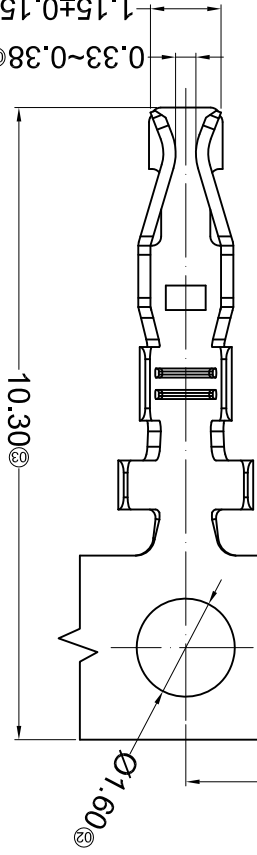
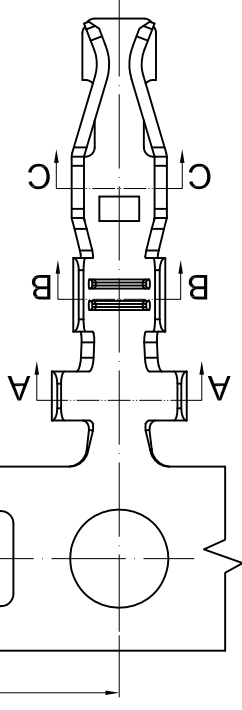
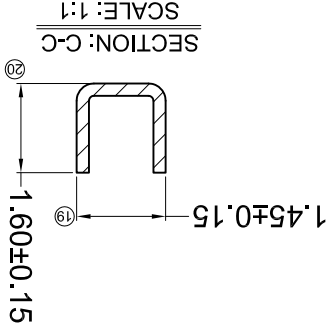
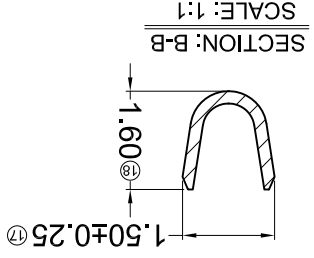
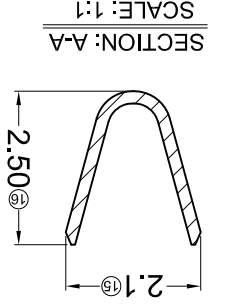
MARK	DESCRIPTION	DATE	REVISED	APPROVED	UNSPECIFIED TOLERANCES
△ X					L > 63 ± 0.5
△ X					16 < L ≤ 63 ± 0.4
△ X					4 < L ≤ 16 ± 0.3
					L ≤ 4 ± 0.2
					ANGULAR ± 5°

REVISIONS	REVISED		DATE	APPROVED	UNSPECIFIED TOLERANCES
					L > 63 ± 0.5
					16 < L ≤ 63 ± 0.4
					4 < L ≤ 16 ± 0.3
					L ≤ 4 ± 0.2
					ANGULAR ± 5°

DNSD	DATE	SCALE: N/A	MODEL TYPE: X2026T-PSN-AQ
DWN	DATE	VIEW:	PART NO.: 2.00mm Crimp Style Connectors
CHKD	DATE	UNIT: mm	DWG NO.:
APPD	DATE	SIZE: A4	

WEIGHT	1.0g
SHEET	1/1
REVISION	AO

X2026T-PSN-AQ	Phosphor Bronze	AWG#22-28	1.50mm(Max)	Stamping Before Plating: 30u" MIN, NI: 70u" MIN, Sn	X2026H-B, 2026H-C
X2026T-SNB-AQ	Blank-ordinary			Plating Before Stamping: 10u" NI: 40-60u" Sn	Suitable XKB



- Specifications:
- Voltage rating: 250V AC / DC
  - Current rating: 3A AC / DC
  - Withstanding voltage: 800V AC/minute
  - Temperature range: -25°C~+85°C
  - Insulation resistance: ≥1000MΩ
  - Contact resistance: ≤10mΩ
  - After environmental testing: ≤20mΩ

X2026 T X-P SN X-AQ

① Series Number

② Category: T-terminal

③ Shape: Blank-ordinary

④ Material: P-Phosphor bronze

⑤ Plating style: SN-Bright tin plating

⑥ Plating method: Blank-Stamping before plating

⑦ B-Plating before stamping

⑧ Mold No./Mark/Special No.:

AQ-Mates with Lock Housing

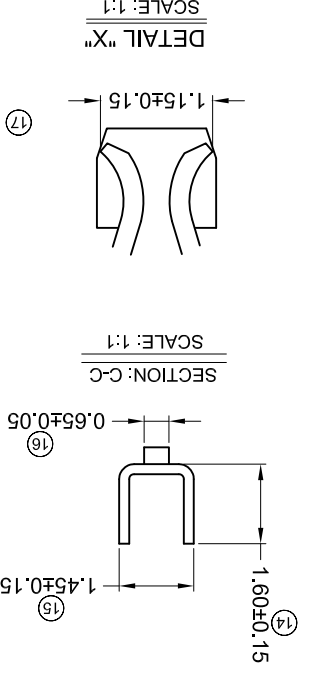
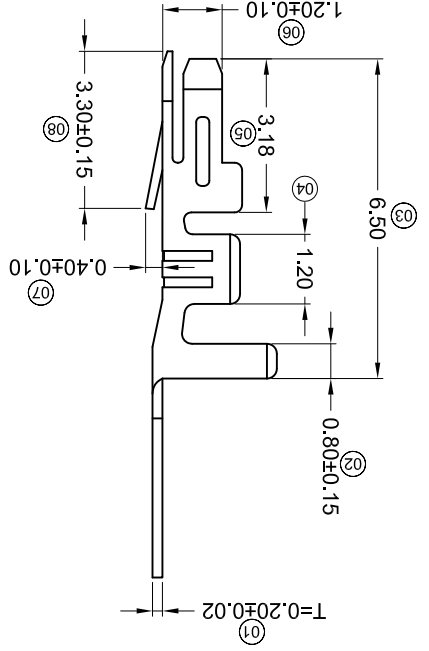
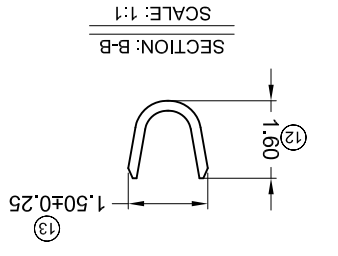
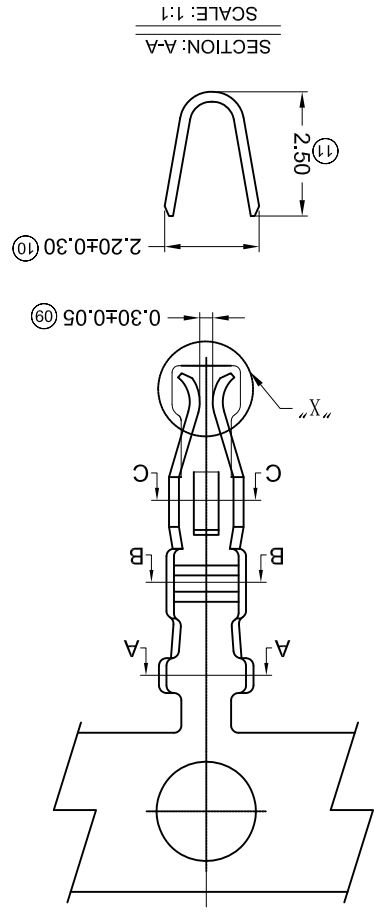
For and on behalf of  
XKB INDUSTRIAL PRECISION CO., LIMITED  
香港星坤工業精密有限公司

MARK	DESCRIPTION	DATE	REVISED	APPROVED	UNSPECIFIED TOLERANCES
△ X					L > 63 ± 0.5
△ X					16 < L ≤ 63 ± 0.4
△ X					4 < L ≤ 16 ± 0.3
△ X					L ≤ 4 ± 0.2
					ANGULAR ± 5°

REVISIONS	XKB INDUSTRIAL PRECISION CO., LIMITED	
REVISION	WEIGHT	SHEET
A0	1.0g	1/1

DSND	DATE	SCALE: N/A	MODEL TYPE: X2026T-PSN-A
DWN	DATE <td>VIEW: </td> <td>PART NO.:</td>	VIEW:	PART NO.:
CHKD	DATE <td>UNIT: mm</td> <td>DWG NO.:</td>	UNIT: mm	DWG NO.:
APPD	DATE <td>SIZE: A4</td> <td></td>	SIZE: A4	

PART NO	Material	Wire Range	Insulation O.D.	Finish	Suitable XKB	Q'ty/Reel
X2026T-PSN-A	Phosphor Bronze	AWG#22-28	1.50mm(Max)	Stamping before plating: 30~50u" Ni; 70~120u" Sn	X2026H-B; X2026H-C; X2026H-D	10,000Pcs
X2026T-PSN-B-A				Plating Before Stamping: 10~30u" Ni; 40~60u" Sn		



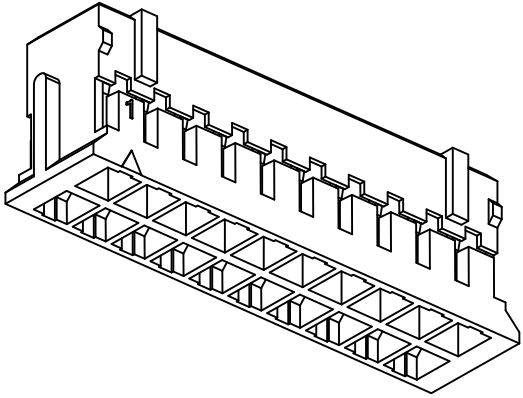
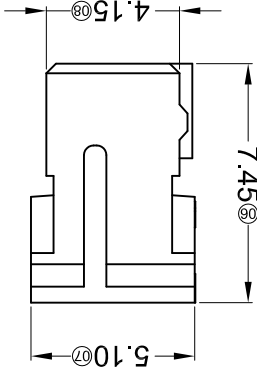
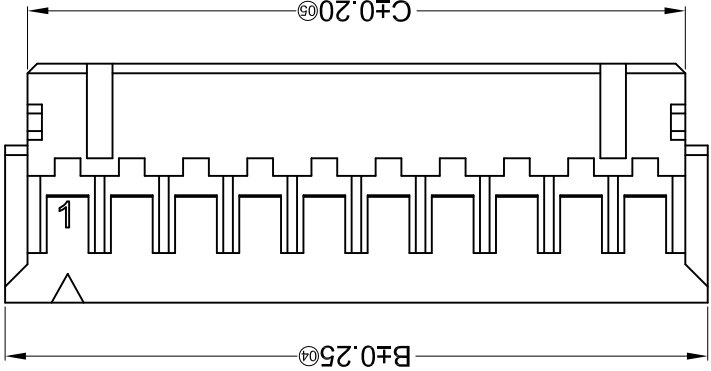
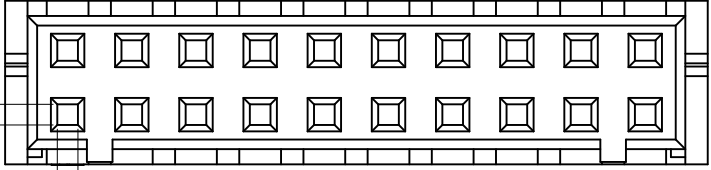
- Specifications :**
- Voltage rating: 250V AC / DC
  - Current rating: 3A AC / DC
  - Withstanding voltage: 1000V AC/minute
  - Temperature range: -25°C~+85°C
  - Insulation resistance: ≥1000MΩ
  - Contact resistance: ≤30mΩ
  - After environmental testing: ≤50mΩ
- X2026 T X-P SN X-A
- Series No.
  - Category: T-Terminal
  - Appearance type: Blank-Ordinary
  - Material: P-Phosphor bronze
  - Plating Style: G\*\*-Gold Plated Contact
  - Plating Method : Blank-Stamping before Plating
  - Mold No./Mark/Special No.
- A-Mating With Lock Housing

For and on behalf of  
**XKB INDUSTRIAL PRECISION CO., LIMITED**  
 香港星坤工業精密有限公司

MARK	DESCRIPTION	DATE	REVISED	APPROVED	UNSPECIFIED TOLERANCES
△ X					L > 63
△ X					16 < L ≤ 63
△ X					4 < L ≤ 16
△ X					L ≤ 4
					ANGULAR
					±5°

**XKB INDUSTRIAL PRECISION CO., LIMITED**

MODEL TYPE:	SCALE: N/A	DATE		DNSD
X2026H-2*XXX-N0				
PART NO.:	VIEW:	DATE		DWN
2.00mm Crimp Style Connectors				
DWG NO.:	UNIT: mm	DATE		CHKD
REVISION	SHEET	WEIGHT		APPD
A0	1/1	1.0g		



Poles	Dimensions (mm)		
	A	B	C
2*02	2.00	5.90	2*13
2*03	4.00	7.90	2*14
2*04	6.00	9.90	2*15
2*05	8.00	11.90	2*16
2*06	10.00	13.90	2*17
2*07	12.00	15.90	2*18
2*08	14.00	17.90	2*19
2*09	16.00	19.90	2*20
2*10	18.00	21.90	2*21
2*11	20.00	23.90	2*22
2*12	22.00	25.90	24.50

- ① Series No.
- ② Category: H-HSG
- ③ Appearance type: Blank-Ordinary
- ④ Row No.-Pin No.: 2\*XX-2\*02P~2\*22P
- ⑤ Plug the Pin & special No.:
- ⑥ Material: NO-PA66 94V-0
- ⑦ Color: Blank-Natural Color

X2026 H X-2\*XX HF-N0 XX

- Voltage rating: 250V AC / DC
- Current rating: 3A AC / DC
- Withstanding voltage: 800V AC/minute
- Temperature range: -25°C~+85°C
- Insulation resistance: ≥1000MΩ
- Contact resistance: ≤10mΩ
- After environmental testing: ≤20mΩ

■ Specifications :



## X-ON Electronics

Largest Supplier of Electrical and Electronic Components

*Click to view similar products for [Headers & Wire Housings](#) category:*

*Click to view products by [XKB](#) manufacturer:*

Other Similar products are found below :

[95000-104TRLF](#) [10135584-644402LF](#) [DF62W-EP2022PCA](#) [95000-106TRLF](#) [DF62W-2022SCA](#) [DF62W-EP2022PC](#) [2203348](#) [DF62W-2022SC](#) [1084018](#) [1029039](#) [1084017](#) [802-10-012-10-002000](#) [1112640](#) [1112639](#) [891-007-9SS-BST1T](#) [000-34000](#) [0008550134](#) [0009482033](#) [0009507031](#) [57102-F02-18ULF](#) [57102-S06-03LF](#) [57202-S52-04LF](#) [PCN6-15S-2.5E](#) [0039019024](#) [58102-G61-06LF](#) [582553-1](#) [0009485154](#) [0009508121](#) [0022285053](#) [0050291907](#) [018731A](#) [LY20-4P-DT1-P1E-BR](#) [02.125.8002.8](#) [60101931](#) [60598-1 \(Cut Strip\)](#) [M1625-3R/100](#) [61062-3](#) [61082-181009](#) [CSU011177004](#) [636-1427](#) [638009-1](#) [641938-9](#) [641991-4](#) [644168-1](#) [644827-2](#) [647662-1](#) [65039-019ELF](#) [65692-001LF](#) [65781-018](#) [65781-047](#)