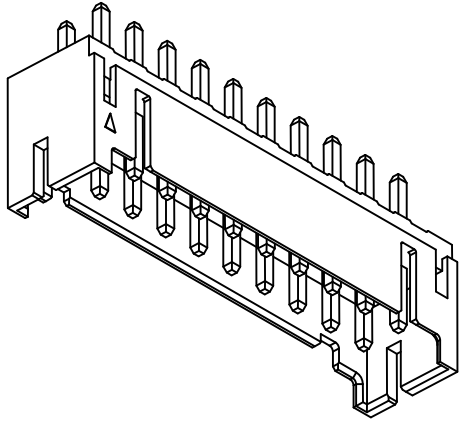
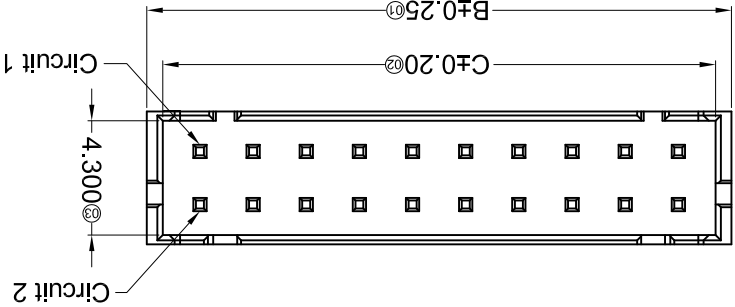
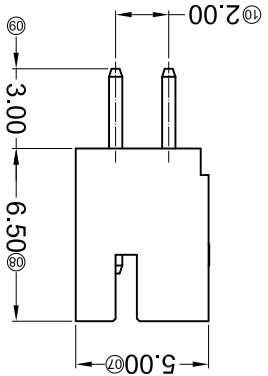
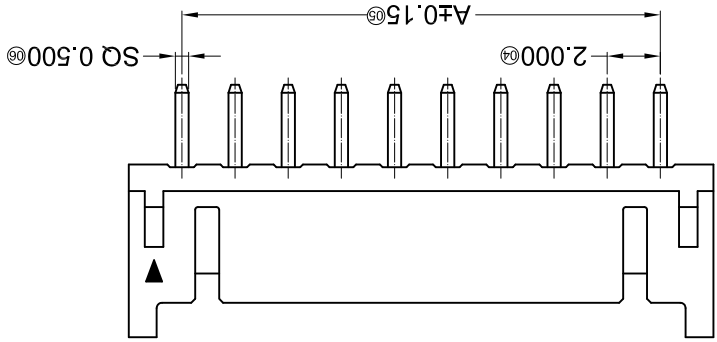
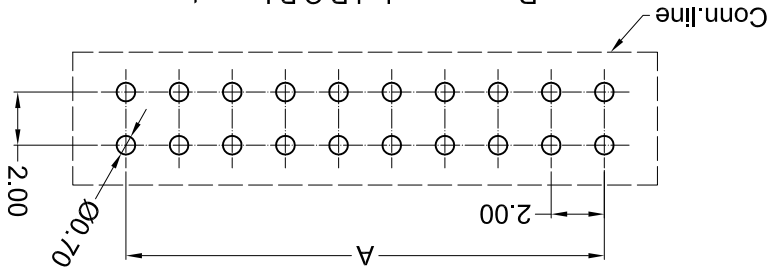


For and on behalf of
XKB INDUSTRIAL PRECISION CO., LIMITED
 香港星坤工業精密有限公司

MARK	DESCRIPTION	DATE	REVISED	APPROVED	UNSPECIFIED TOLERANCES
△ X					L > 63
△ X					16 < L ≤ 63
△ X					4 < L ≤ 16
△ X					L ≤ 4
					ANGULAR ±5°

REVISIONS	UNSPECIFIED TOLERANCES
REVISION	UNSPECIFIED TOLERANCES
SHEET	UNSPECIFIED TOLERANCES
WEIGHT	UNSPECIFIED TOLERANCES
1.0g	UNSPECIFIED TOLERANCES
1/1	UNSPECIFIED TOLERANCES
AO	UNSPECIFIED TOLERANCES

Recommended P.C.B Layout
 General Tolerance±0.05



- **Specifications :**
- Voltage rating: 250V AC / DC
 - Current rating: 3A AC / DC
 - Withstanding voltage: 800V AC/minute
 - Temperature range: -25°C~+85°C
 - Insulation resistance: ≥1000MΩ
 - Contact resistance: ≤10mΩ
 - After environmental testing: ≤20mΩ

- ① Series No. X2026 W V X-2*XX X -N0 XXX XX
- ② Category: W-WAFER
- ③ Welding Board Angle: V-Straight 180°
- ④ Welding Way: Blank-DIP
- ⑤ Row No.-Pin No.: 2*XX-2*02P~2*22P
- ⑥ Plug the Pin & Special No.: HF-Halogen Free
- ⑦ Material: N0-PA66 94V-0
- ⑧ Plating Category: SN-Bright Tin Plating;
- ⑨ V01-Gold Flash

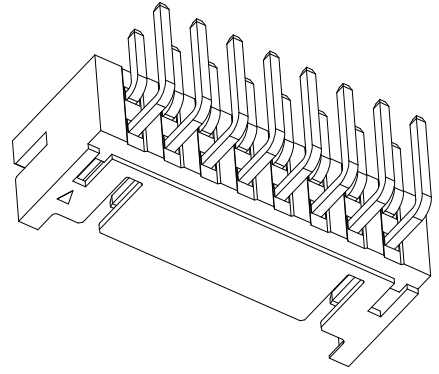
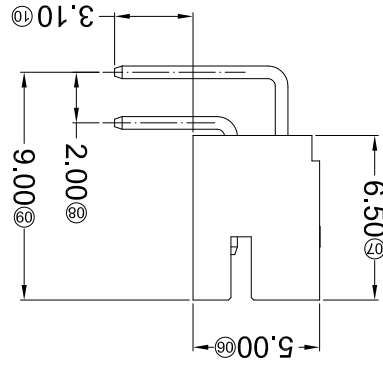
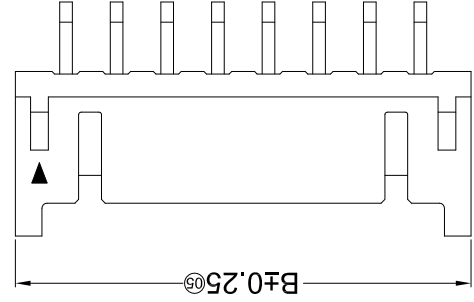
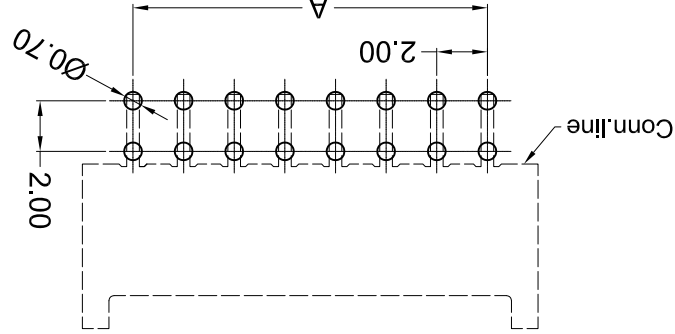
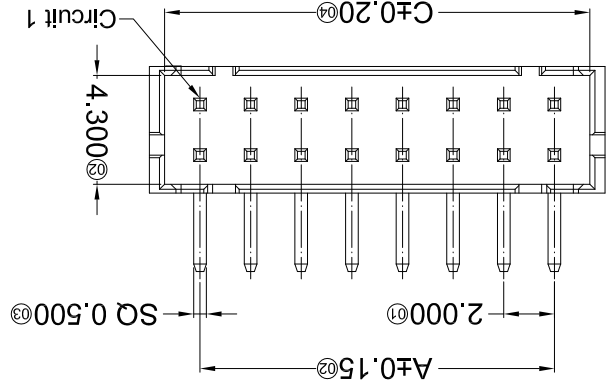
- ⑩ Color : Blank-Natural Color ; BK-Black;WH-White

Poles	Dimensions (mm)			Poles	Dimensions (mm)		
	A	B	C		A	B	C
2	2.00	6.00	2.09	4.80	2.09	18.80	2.16
3	4.00	8.00	2.10	6.80	2.10	18.00	2.17
4	6.00	10.00	2.11	8.80	2.11	20.00	2.18
5	8.00	12.00	2.12	10.80	2.12	22.00	2.19
6	10.00	14.00	2.13	12.80	2.13	24.00	2.20
7	12.00	16.00	2.14	14.80	2.14	26.00	2.21
8	14.00	18.00	2.15	16.80	2.15	28.00	2.22
9	16.00	20.00	2.16	18.80	2.16	30.00	2.22
10	18.00	22.00	2.17	20.80	2.17	32.00	2.22
11	20.00	24.00	2.18	22.80	2.18	34.00	2.22
12	22.00	26.00	2.19	24.80	2.19	36.00	2.22
13	24.00	28.00	2.20	26.80	2.20	38.00	2.22
14	26.00	30.00	2.21	28.80	2.21	40.00	2.22
15	28.00	32.00	2.22	30.80	2.22	42.00	2.22
16	30.00	34.00	2.22	32.80	2.22	44.00	2.22
17	32.00	36.00	2.22	34.80	2.22	46.00	2.22
18	34.00	38.00	2.22	36.80	2.22	48.00	2.22
19	36.00	40.00	2.22	38.80	2.22	50.00	2.22
20	38.00	42.00	2.22	40.80	2.22	52.00	2.22
21	40.00	44.00	2.22	42.80	2.22	54.00	2.22
22	42.00	46.00	2.22	44.80	2.22	56.00	2.22
23	44.00	48.00	2.22	46.80	2.22	58.00	2.22
24	46.00	50.00	2.22	48.80	2.22	60.00	2.22

PART NO	Material	Material(Pln)	Finish(Pln)	Suitable XKB Terminal
X2026WV-2*XX-N0SN	PA66 UL 94V-0		Thi-Plated	
X2026WV-2*XX-N0V01	PA66 UL 94V-0		Gold-Flash	
X2026WV-2*XX-N0SNWH	PA66 UL 94V-0 White		Thi-Plated	
X2026WV-2*XXHF-N0SNBK (Halogen Free)	PA66 UL 94V-0 Black		Thi-Plated	

DSND	DATE	SCALE: N/A	MODEL TYPE: X2026WV-2*XX-N0XXXX
CHKD <th>DATE</th> <th>UNIT: mm</th> <th>DWG NO.:</th>	DATE	UNIT: mm	DWG NO.:
APPD <th>DATE</th> <th>SIZE: A4</th> <th>REVISION</th>	DATE	SIZE: A4	REVISION

MARK	DESCRIPTION	DATE	REVISED	APPROVED	UNSPECIFIED TOLERANCES
△ X					L > 63
△ X					16 < L ≤ 63
△ X					4 < L ≤ 16
△ X					L ≤ 4
					ANGULAR ±5°



Recommended P.C.B Layout
General Tolerance±0.05

For and on behalf of
XKB INDUSTRIAL PRECISION CO., LIMITED
香港星坤工業精密有限公司

MARK	DESCRIPTION	DATE	REVISED	APPROVED	UNSPECIFIED TOLERANCES
△ X					±0.5
△ X					16 > L ≤ 63
△ X					4 < L ≤ 16
					L ≤ 4
					ANGULAR ±5°

DSND	DATE	SCALE: N/A	MODEL TYPE: X2026WR-2*XXS-N0SN
CHKD <th>DATE</th> <th>UNIT: mm</th> <th>DWG NO.:</th>	DATE	UNIT: mm	DWG NO.:
APPD <th>DATE</th> <th>SIZE: A4</th> <th>PART NO.:</th>	DATE	SIZE: A4	PART NO.:
			2.00 mm Crimp Style Connectors
			WEIGHT 1.0g
			SHEET 1/1
			REVISION A0

PART NO	Material	Material(Fin)	Finish(Fin)	Suitable XKB Terminal
X2026WR-2*XXS-N0SN	PA66 UL 94V-0	Brass	Th-Plated	X2026H

Poles	Dimensions (mm)		
	A	B	C
2*02	2.00	6.00	2*09
2*03	4.00	8.00	2*10
2*04	6.00	10.00	2*11
2*05	8.00	12.00	2*12
2*06	10.00	14.00	2*13
2*07	12.00	16.00	2*14
2*08	14.00	18.00	2*15
2*09	16.00	20.00	2*16
2*10	18.00	22.00	2*17
2*11	20.00	24.00	2*18
2*12	22.00	26.00	2*19
2*13	24.00	28.00	2*20
2*14	26.00	30.00	2*21
2*15	28.00	32.00	2*22
2*16	30.00	34.00	
2*17	32.00	36.00	
2*18	34.00	38.00	
2*19	36.00	40.00	
2*20	38.00	42.00	
2*21	40.00	44.00	
2*22	42.00	46.00	
2*23	44.00	48.00	

- ① Series No.
- ② Category: W-WAFFER
- ③ Welding Board Angle: R-Right Angle 90°
- ④ Welding Way: Blank-DIP
- ⑤ Row No.-Pin No.: 2*XX-2*02P~2*22P
- ⑥ Plug the Pin & Special No.:
- ⑦ Without Positioning baffles on both side
- ⑧ Material: N0-PA66 94V-0
- ⑨ Plating Category: SN-Bright Tin Plating;
- ⑩ Color: Blank-Natural Color

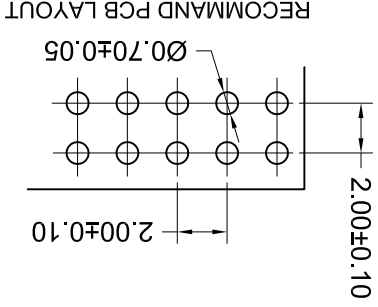
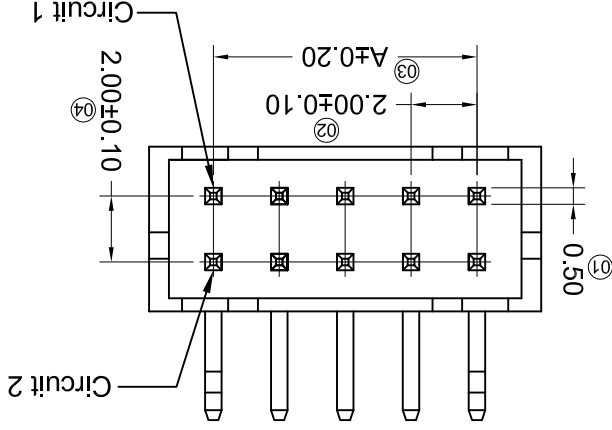
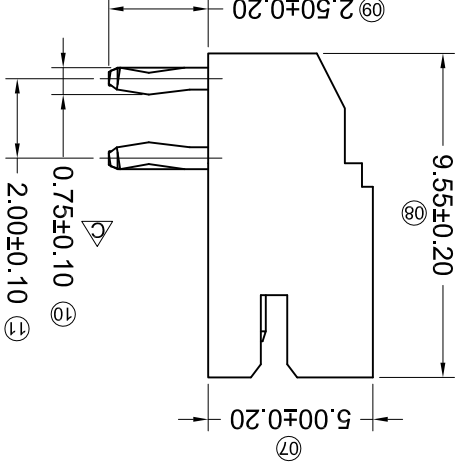
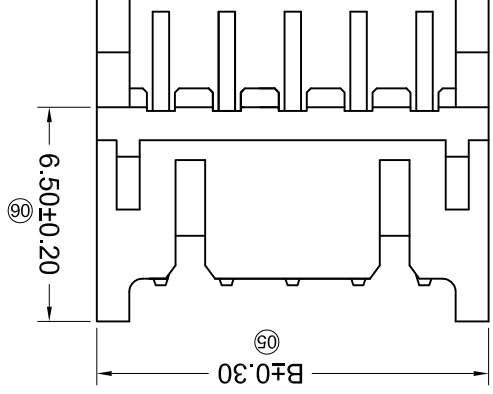
X2026 W R X-2*XX S-N0 SN XX
① ② ③ ④ ⑤ ⑥ ⑦ ⑧ ⑨

- Specifications:
- Voltage rating: 250V AC / DC
- Current rating: 3A AC / DC
- Withstanding voltage: 800V AC/minute
- Temperature range: -25°C~+85°C
- Insulation resistance: ≥1000MΩ
- Contact resistance: ≤10mΩ
- After environmental testing: ≤20mΩ

For and on behalf of
XKB INDUSTRIAL PRECISION CO., LIMITED
 香港星坤工業精密有限公司

MARK	DESCRIPTION	DATE	REVISED	APPROVED	UNSPECIFIED TOLERANCES
△ X					L > 63 ±0.5
△ X					16 > L ≤ 63 ±0.4
△ X					4 < L ≤ 16 ±0.3
△ X					L ≤ 4 ±0.2
					ANGULAR ±5°

PART NO	Material	Material(Pin)	Finish(Pin)	Suitable XKB Terminal	Q'ty/Bag
X2026WR-2*XXK-N0SN	Nylon 66 UL 94V-0	Brass	Tin-Plated	X2026H	1,000Pcs



- Specifications :
 - Voltage rating: 250V AC / DC
 - Current rating: 3A AC / DC
 - Withstanding voltage: 800V AC/minute
 - Temperature range: -25°C~+85°C
 - Insulation resistance: ≥1000MΩ
 - Contact resistance: ≤10mΩ
 - After environmental testing : ≤20mΩ

- X2026 W R X-2*XX K-N0 SN XX
- ① Series No
 - ② Category: W-WAFER
 - ③ Welding Board Angle: R-90°
 - ④ Welding Way: Blank-DIP
 - ⑤ Row No.-Pin No.: 2*XX-Double Row
 - ⑥ Plug the Pin & Special No:
 - ⑦ Material: N0-PA66 94V-0
 - ⑧ Plating Category:
 - G*-Gold Plated Contact
 - V*- All Gold-Plated
 - 01-Gold Flash 02-2u" 03-3u" 05-5u"
 - 10-10u" 15-15u" 30-30u" 50-50u"
 - SN-Bright Tin Plating (70-120u")
 - SN1-Bright Tin Plating (120u" Min).
 - SW-Fog Tin Plating
 - HS-Hight temperature Tin
 - ⑨ Color : Blank-Natural Color

Dimension(mm)	A	B
04	2.00	6.00
06	4.00	8.00
08	6.00	10.00
10	8.00	12.00
12	10.00	14.00
14	12.00	16.00
16	14.00	18.00
18	16.00	20.00
20	18.00	22.00
22	20.00	24.00
24	22.00	26.00
26	24.00	28.00
28	26.00	30.00
30	28.00	32.00
32	30.00	34.00
34	32.00	36.00
36	34.00	38.00
38	36.00	40.00
40	38.00	42.00
42	40.00	44.00
44	42.00	46.00

DSND	DATE	SCALE: N/A	MODEL TYPE:	X2026WR-2*XXK-N0SN
DWN	DATE <td>VIEW: </td> <td>PART NO.:</td> <td></td>	VIEW:	PART NO.:	
CHKD	DATE <td>UNIT: mm</td> <td>DWG NO.:</td> <td></td>	UNIT: mm	DWG NO.:	
APPD	DATE <td>SIZE: A4</td> <td>WEIGHT</td> <td>1.0g</td>	SIZE: A4	WEIGHT	1.0g
			SHEET	1/1
			REVISION	A0

XKB INDUSTRIAL PRECISION CO., LIMITED

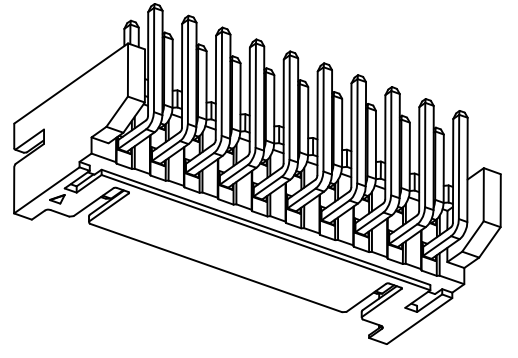
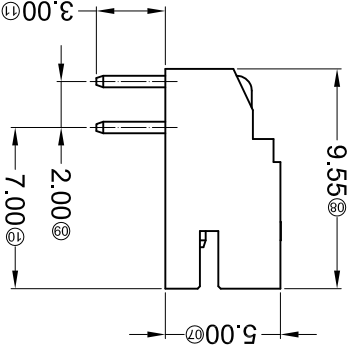
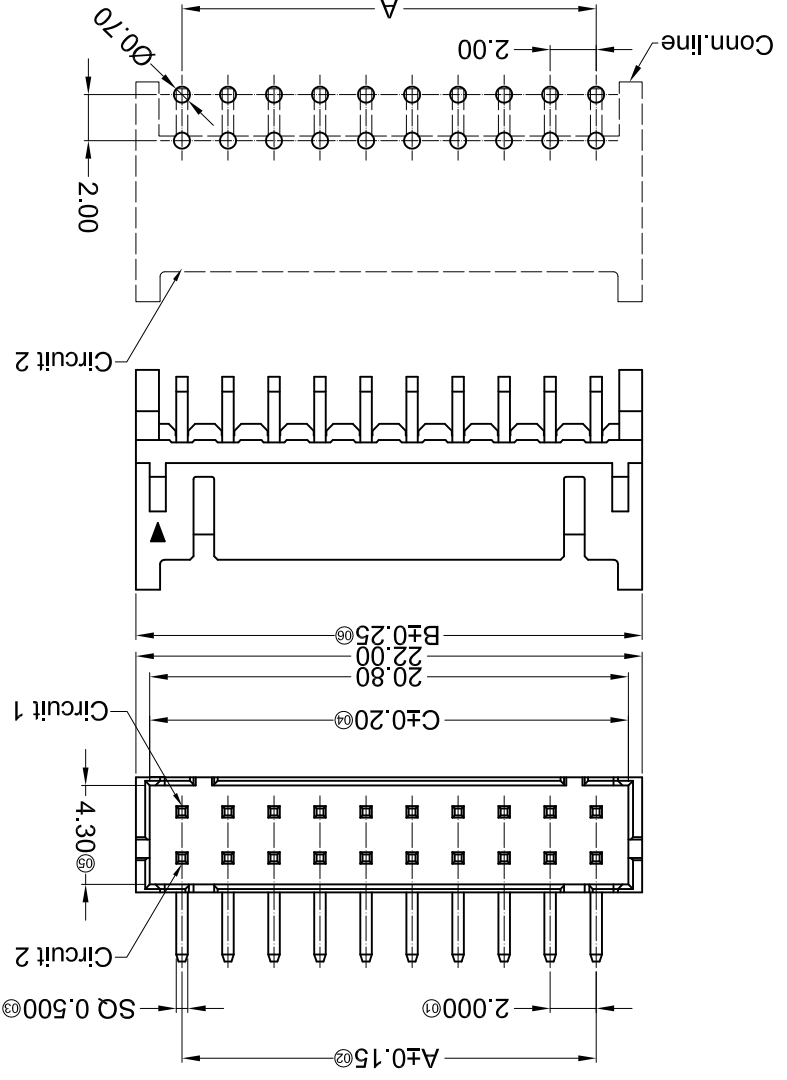
For and on behalf of
XKB INDUSTRIAL PRECISION CO., LIMITED
 香港星洲工業精密有限公司

REVISIONS
 Authorized Signature(s)

MARK	DESCRIPTION	DATE	REVISED	APPROVED	UNSPECIFIED TOLERANCES
△ X					L > 63
△ X					16 < L ≤ 63
△ X					4 < L ≤ 16
△ X					L ≤ 4
					ANGULAR ±5°

DATE	DATE	DATE	DATE	DATE	DATE
DNSD	DWN	CHKD	APPD		
SCALE: N/A	VIEW:	UNIT: mm	SIZE: A4	WEIGHT: 1.0g	REVISION: A0
MODEL TYPE: X2026WR-2*XX-N0XXX	PART NO.:	2.00mm Crimp Style Connectors		DWG NO.:	

Recommended P.C.B Layout
 General Tolerance ±0.05



Dimensions (mm)	Poles	Dimensions (mm)	Poles	Material	Part No
2.08	A	2.09	C	PA66 UL 94V-0	X2026WR-2*XX-N0V01
2.07	B	2.11	B	Brass	X2026WR-2*XX-N0SN
2.06	C	2.10	A		
2.05	A	2.09	B		
2.04	B	2.08	C		
2.03	C	2.07	A		
2.02	A	2.06	B		
2.01	B	2.05	C		
2.00	C	2.04	A		
1.99	A	2.03	B		
1.98	B	2.02	C		
1.97	C	2.01	A		
1.96	A	2.00	B		
1.95	B	1.99	C		
1.94	C	1.98	A		
1.93	A	1.97	B		
1.92	B	1.96	C		
1.91	C	1.95	A		
1.90	A	1.94	B		
1.89	B	1.93	C		
1.88	C	1.92	A		
1.87	A	1.91	B		
1.86	B	1.90	C		
1.85	C	1.89	A		
1.84	A	1.88	B		
1.83	B	1.87	C		
1.82	C	1.86	A		
1.81	A	1.85	B		
1.80	B	1.84	C		
1.79	C	1.83	A		
1.78	A	1.82	B		
1.77	B	1.81	C		
1.76	C	1.80	A		
1.75	A	1.79	B		
1.74	B	1.78	C		
1.73	C	1.77	A		
1.72	A	1.76	B		
1.71	B	1.75	C		
1.70	C	1.74	A		
1.69	A	1.73	B		
1.68	B	1.72	C		
1.67	C	1.71	A		
1.66	A	1.70	B		
1.65	B	1.69	C		
1.64	C	1.68	A		
1.63	A	1.67	B		
1.62	B	1.66	C		
1.61	C	1.65	A		
1.60	A	1.64	B		
1.59	B	1.63	C		
1.58	C	1.62	A		
1.57	A	1.61	B		
1.56	B	1.60	C		
1.55	C	1.59	A		
1.54	A	1.58	B		
1.53	B	1.57	C		
1.52	C	1.56	A		
1.51	A	1.55	B		
1.50	B	1.54	C		
1.49	C	1.53	A		
1.48	A	1.52	B		
1.47	B	1.51	C		
1.46	C	1.50	A		
1.45	A	1.49	B		
1.44	B	1.48	C		
1.43	C	1.47	A		
1.42	A	1.46	B		
1.41	B	1.45	C		
1.40	C	1.44	A		
1.39	A	1.43	B		
1.38	B	1.42	C		
1.37	C	1.41	A		
1.36	A	1.40	B		
1.35	B	1.39	C		
1.34	C	1.38	A		
1.33	A	1.37	B		
1.32	B	1.36	C		
1.31	C	1.35	A		
1.30	A	1.34	B		
1.29	B	1.33	C		
1.28	C	1.32	A		
1.27	A	1.31	B		
1.26	B	1.30	C		
1.25	C	1.29	A		
1.24	A	1.28	B		
1.23	B	1.27	C		
1.22	C	1.26	A		
1.21	A	1.25	B		
1.20	B	1.24	C		
1.19	C	1.23	A		
1.18	A	1.22	B		
1.17	B	1.21	C		
1.16	C	1.20	A		
1.15	A	1.19	B		
1.14	B	1.18	C		
1.13	C	1.17	A		
1.12	A	1.16	B		
1.11	B	1.15	C		
1.10	C	1.14	A		
1.09	A	1.13	B		
1.08	B	1.12	C		
1.07	C	1.11	A		
1.06	A	1.10	B		
1.05	B	1.09	C		
1.04	C	1.08	A		
1.03	A	1.07	B		
1.02	B	1.06	C		
1.01	C	1.05	A		
1.00	A	1.04	B		
0.99	B	1.03	C		
0.98	C	1.02	A		
0.97	A	1.01	B		
0.96	B	1.00	C		
0.95	C	0.99	A		
0.94	A	0.98	B		
0.93	B	0.97	C		
0.92	C	0.96	A		
0.91	A	0.95	B		
0.90	B	0.94	C		
0.89	C	0.93	A		
0.88	A	0.92	B		
0.87	B	0.91	C		
0.86	C	0.90	A		
0.85	A	0.89	B		
0.84	B	0.88	C		
0.83	C	0.87	A		
0.82	A	0.86	B		
0.81	B	0.85	C		
0.80	C	0.84	A		

X2026 WR X-2*XX X-N0 XXX XX

- ① Series No.
- ② Category: W-WAFER
- ③ Welding Board Angle: R-Right Angle 90°
- ④ Welding Way: Blank-DIP
- ⑤ Row No.-Pin No.: 2*XX-2*02P~2*22P
- ⑥ Plug the Pin & Special No.:
- ⑦ Material: N0-PA66 94V-0
- ⑧ Plating Category: SN-Bright Tin Plating;
- ⑨ V01-All Gold Flash
- ⑩ Color: Blank-Natural Color

- Specifications :
- Voltage rating: 250V AC / DC
 - Current rating: 3A AC / DC
 - Withstanding voltage: 800V AC/minute
 - Temperature range: -25°C~+85°C
 - Insulation resistance: ≥1000MΩ
 - Contact resistance: ≤10mΩ
 - After environmental testing: ≤20mΩ

For and on behalf of
KKB INDUSTRIAL PRECISION CO., LIMITED
 香港星坤工業精密有限公司

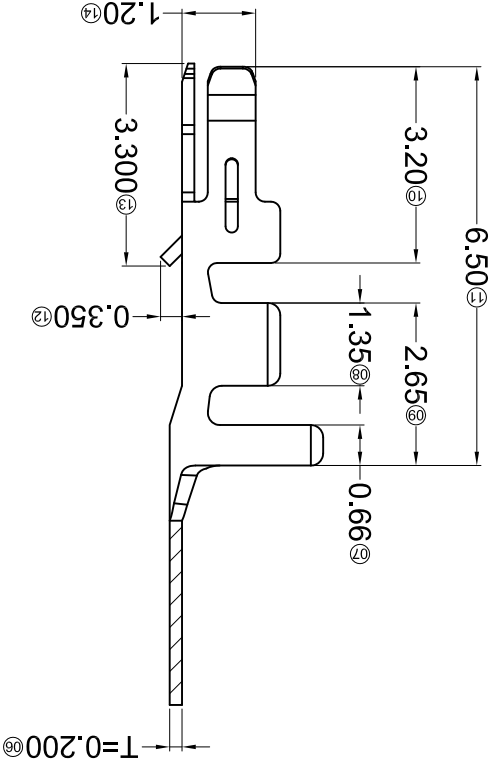
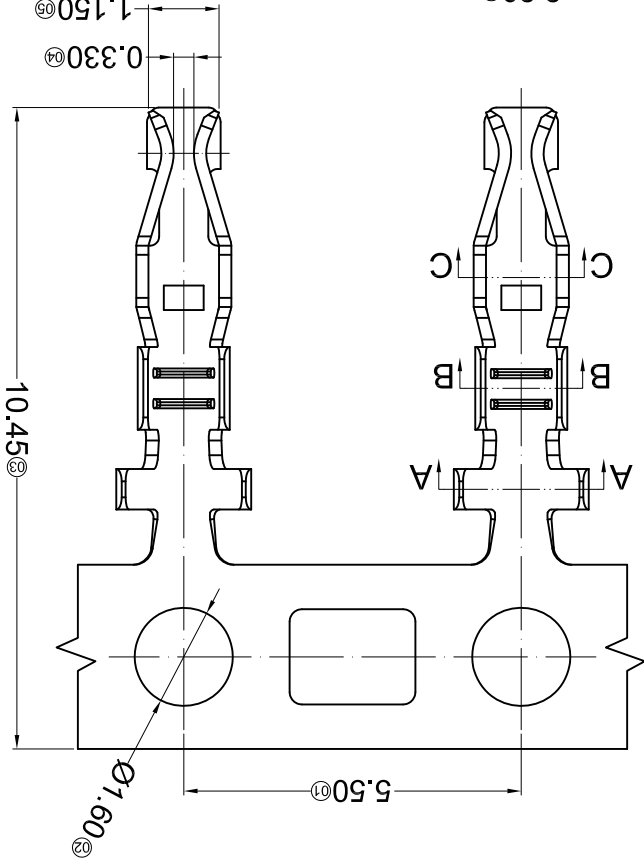
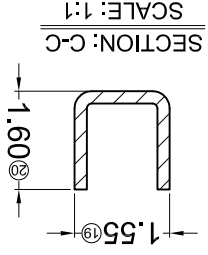
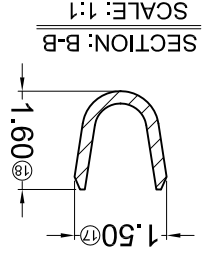
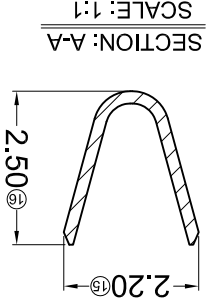
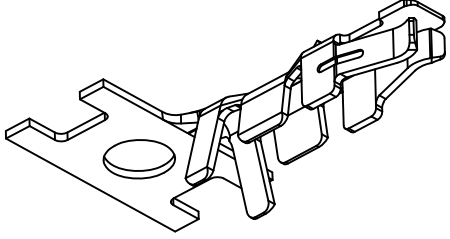
Revisions Authorized Signatures(s)

MARK	DESCRIPTION	DATE	REVISED	APPROVED	UNSPECIFIED TOLERANCES
△ X					L > 63 ± 0.5
△ X					16 > L ≤ 63 ± 0.4
△ X					4 < L ≤ 16 ± 0.3
△ X					L ≤ 4 ± 0.2
					ANGULAR ± 5°

REVISION	SHEET	WEIGHT	DATE	DATE	DATE	DATE
A0	1/1	1.0g				

KKB INDUSTRIAL PRECISION CO., LIMITED	SIZE: A4	DATE	DATE	DATE	DATE
DWG NO.:	UNIT: mm	VIEW:	SCALE: N/A	MODEL TYPE: X2026T-PXXXX-L	PART NO.:
2.00mm Crimp Style Connectors					

PART NO	Material	Wire Range	Insulation O.D.	Finish
X2026T-PG03-L	Phosphor Bronze	AWG#22-28	1.50mm(Max)	Stamping Before Plating: 30u" MIN. Ni, 70u" MIN. Sn
X2026T-PV01-L				Plating Before Stamping: 10u" Ni, 40-60u" Sn
X2026T-PNSB-L				Stamping Before Plating: 30u" MIN. Ni, Whole Gold Flash
X2026T-PV01-L				Stamping Before Plating: 30u" MIN. Ni, Contact Area Gold: 3u" Min.
X2026T-PG03-L				Stamping Before Plating: 30u" MIN. Ni, Contact Area Gold: 3u" Min.



- Specifications :
- Voltage rating: 250V AC / DC
 - Current rating: 3A AC / DC
 - Withstanding voltage: 800V AC/minute
 - Temperature range: -25°C~+85°C
 - Insulation resistance: ≥1000MΩ
 - Contact resistance: ≤10mΩ
 - After environmental testing: ≤20mΩ
- ① Series Number
 X2026 T X-P XXX X - L
- ② Category: T-terminal
 ③ Shape: Blank-ordinary
 ④ Material: P-Phosphor bronze
 ⑤ Plating style: SN-Bright tin plating ; V01-Gold Flash
 ⑥ Plating method: Blank-Stamping before plating
 B-Plating before stamping
 ⑦ Mold No./Mark/Special No. : L- Loose

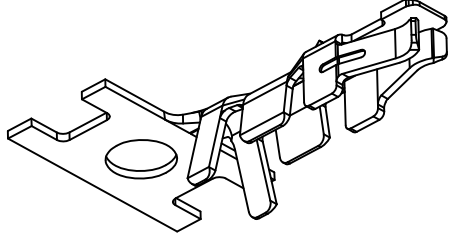
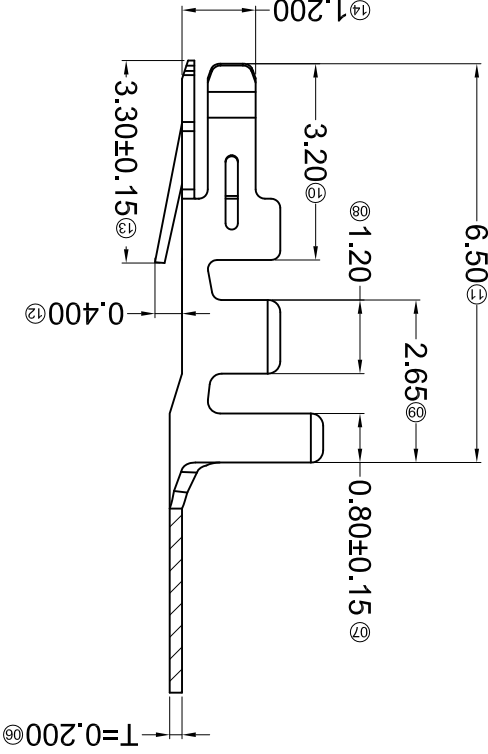
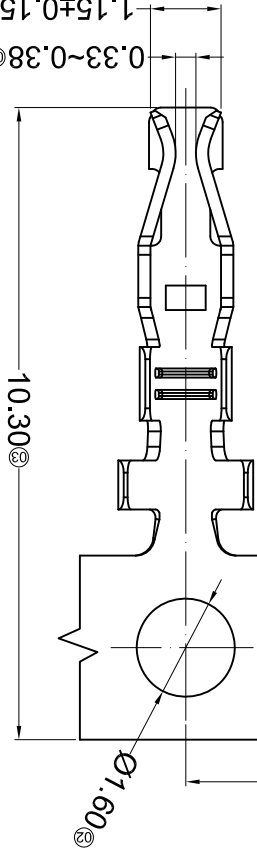
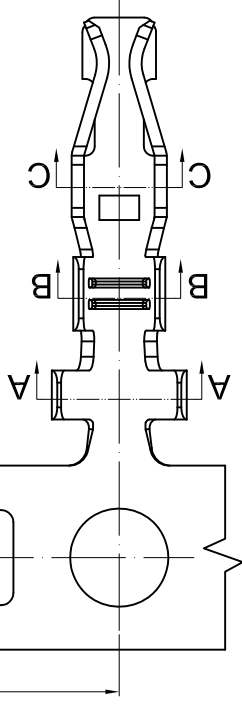
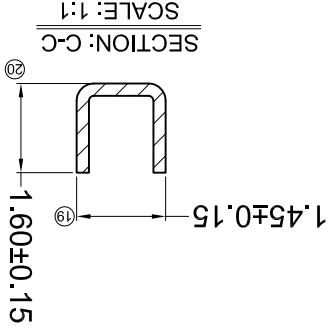
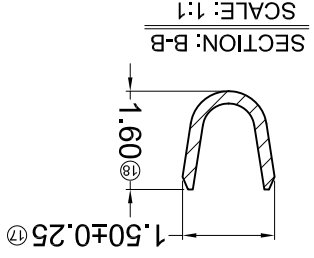
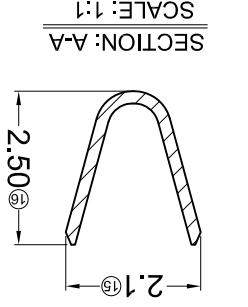
For and on behalf of
XKB INDUSTRIAL PRECISION CO., LIMITED
 香港星坤工業精密有限公司

Authorized Signatures

MARK	DESCRIPTION	DATE	REVISED	APPROVED	UNSPECIFIED TOLERANCES
△ X					L > 63
△ X					16 < L ≤ 63
△ X					4 < L ≤ 16
					L ≤ 4
					ANGULAR
					± 5°

REVISION	SHEET	WEIGHT	1.0g	1/1	AO
XKB INDUSTRIAL PRECISION CO., LIMITED					
DNSD	DATE	SCALE: N/A	MODEL TYPE: X2026T-PSN-AQ		
DWN	DATE	VIEW:	PART NO.: 2.00mm Crimp Style Connectors		
CHKD	DATE	UNIT: mm	DWG NO.:		
APPD	DATE	SIZE: A4			

PART NO	Material	Wire Range	Insulation O.D.	Finish	Suitable XKB
X2026T-PSN-AQ	Phosphor Bronze	AWG#22-28	1.50mm(Max)	Stamping Before Plating: 30u" MIN, Ni: 70u" MIN, Sn	X2026H-B, 2026H-C
X2026T-SNB-AQ	Blank-ordinary			Plating Before Stamping: 10u" Ni: 40-60u" Sn	



X2026 T X-P SN X-AQ
 ① ② ③ ④ ⑤ ⑥ ⑦

- Specifications :
- Voltage rating: 250V AC / DC
- Current rating: 3A AC / DC
- Withstanding voltage: 800V AC/minute
- Temperature range: -25°C~+85°C
- Insulation resistance: ≥1000MΩ
- Contact resistance: ≤10mΩ
- After environmental testing: ≤20mΩ

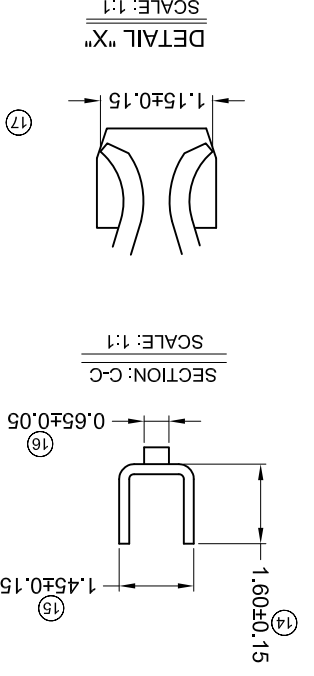
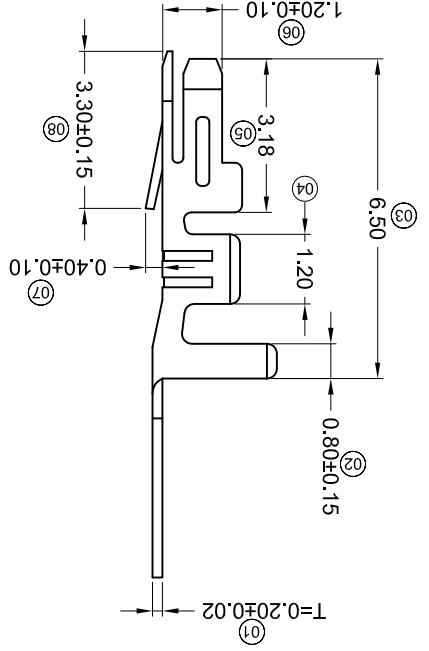
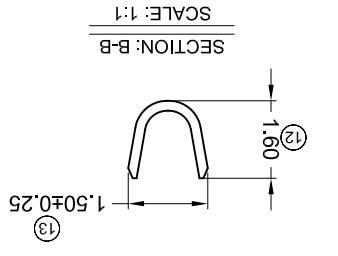
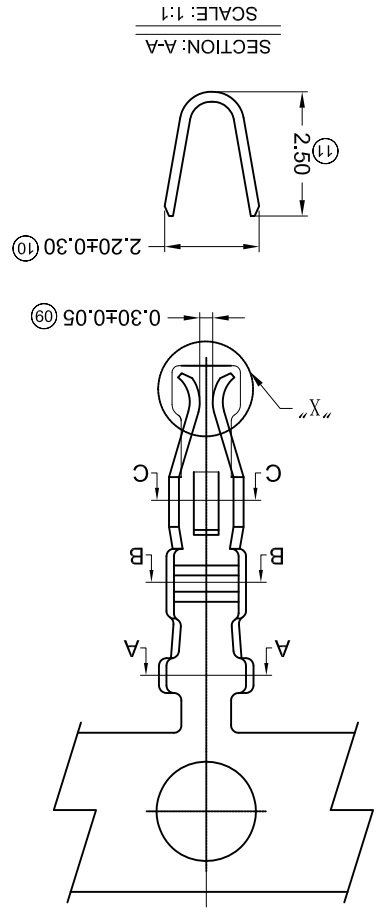
- ① Series Number
- ② Category: T-terminal
- ③ Shape: Blank-ordinary
- ④ Material: P-Phosphor bronze
- ⑤ Plating style: SN-Bright tin plating ;
- ⑥ Plating method: Blank-Stamping before plating ;
- ⑦ B-Plating before stamping ;
- ⑦ Mold No./Mark/Special No.:
- ⑦ A-Q-Mates with Lock Housing

For and on behalf of
XKB INDUSTRIAL PRECISION CO., LIMITED
 香港星洲工業精密有限公司
 REVISIONS
 Authorized Signatures(s)

MARK	DESCRIPTION	DATE	REVISED	APPROVED	UNSPECIFIED TOLERANCES
△ X					L > 63 ± 0.5
△ X					16 < L ≤ 63 ± 0.4
△ X					4 < L ≤ 16 ± 0.3
△ X					L ≤ 4 ± 0.2
					ANGULAR ± 5°

REVISION	SHEET	WEIGHT	SIZE	DATE	DATE	DATE	DATE
A0	1/1	1.0g	A4				

PART NO	Material	Wire Range	Insulation O.D.	Finish	Suitable XKB	Q'ty/Reel
X2026T-PSN-A	Phosphor Bronze	AWG#22-28	1.50mm(Max)	Stamping before plating:30~50u" Ni;70~120u" Sn	X2026H-B;X2026H-C;X2026H-D	10,000Pcs
X2026T-PSN-A				Plating Before Stamping:10~30u" Ni;40~60u" Sn		



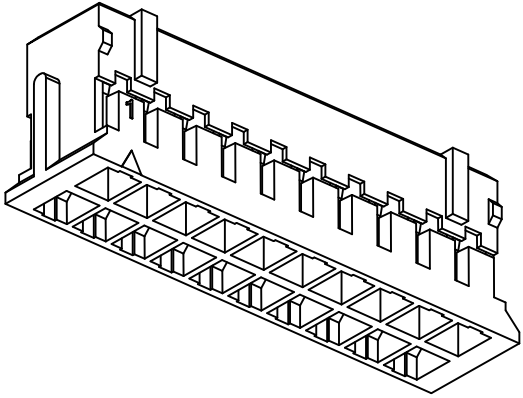
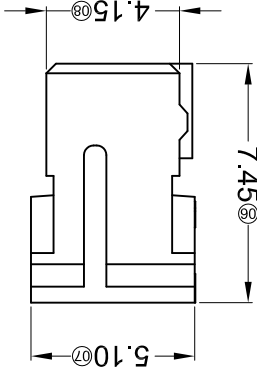
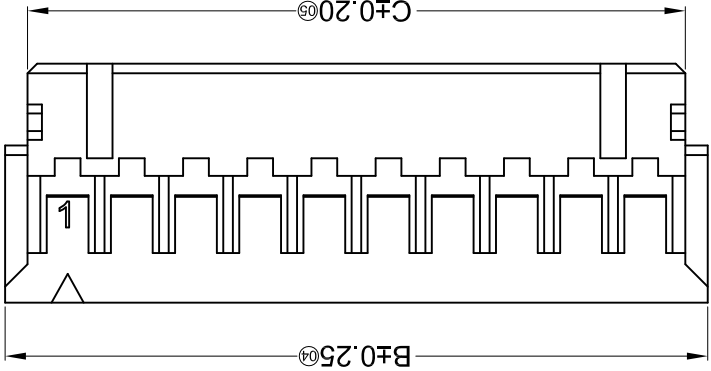
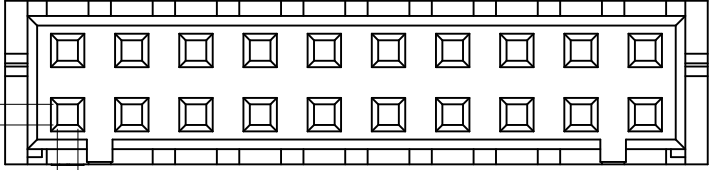
- Specifications :**
- Voltage rating: 250V AC / DC
 - Current rating: 3A AC / DC
 - Withstanding voltage: 1000V AC/minute
 - Temperature range: -25°C~+85°C
 - Insulation resistance: ≥1000MΩ
 - Contact resistance: ≤30mΩ
 - After environmental testing: ≤50mΩ
- X2026 T X-P SN X-A**
- Series No.
 - Category: T-Terminal
 - Appearance type: Blank-Ordinary
 - Material: P-Phosphor bronze
 - Plating Style: G**-Gold Plated Contact
 - Plating Method : Blank-Stamping before Plating
 - Mold No./Mark/Special No.
- A-Mating With Lock Housing

For and on behalf of
XKB INDUSTRIAL PRECISION CO., LIMITED
 香港星坤工業精密有限公司

MARK	DESCRIPTION	DATE	REVISED	APPROVED	UNSPECIFIED TOLERANCES
△ X					L > 63
△ X					16 < L ≤ 63
△ X					4 < L ≤ 16
△ X					L ≤ 4
					ANGULAR
					±5°

XKB INDUSTRIAL PRECISION CO., LIMITED

MODEL TYPE:	SCALE: N/A	DATE	
X2026H-2*XX-XX-N0			
PART NO.:	VIEW:	DATE	
2.00mm Crimp Style Connectors	UNIT: mm	DATE	
DWG NO.:	SIZE: A4	DATE	
		DATE	
WEIGHT	SHEET	REVISION	
1.0g	1/1	A0	



Poles	Dimensions (mm)		
	A	B	C
2*02	2.00	5.90	2*13
2*03	4.00	7.90	2*14
2*04	6.00	9.90	2*15
2*05	8.00	11.90	2*16
2*06	10.00	13.90	2*17
2*07	12.00	15.90	2*18
2*08	14.00	17.90	2*19
2*09	16.00	19.90	2*20
2*10	18.00	21.90	2*21
2*11	20.00	23.90	2*22
2*12	22.00	25.90	24.50

- ① Series No.
- ② Category: H-HSG
- ③ Appearance type: Blank-Ordinary
- ④ Row No.-Pin No.: 2*XX-2*02P~2*22P
- ⑤ Plug the Pin & special No.:
- ⑥ Material: NO-PA66 94V-0
- ⑦ Color: Blank-Natural Color

X2026 H X-2*XX HF-N0 XX

- Voltage rating: 250V AC / DC
- Current rating: 3A AC / DC
- Withstanding voltage: 800V AC/minute
- Temperature range: -25°C~+85°C
- Insulation resistance: ≥1000MΩ
- Contact resistance: ≤10mΩ
- After environmental testing: ≤20mΩ

■ Specifications :

X-ON Electronics

Largest Supplier of Electrical and Electronic Components

Click to view similar products for [Headers & Wire Housings](#) category:

Click to view products by [XKB](#) manufacturer:

Other Similar products are found below :

[95000-104TRLF](#) [10135584-644402LF](#) [DF62W-EP2022PCA](#) [95000-106TRLF](#) [DF62W-2022SCA](#) [DF62W-EP2022PC](#) [2203348](#) [DF62W-2022SC](#) [1084018](#) [1029039](#) [1084017](#) [802-10-012-10-002000](#) [1112640](#) [1112639](#) [891-007-9SS-BST1T](#) [000-34000](#) [0008550134](#) [0009482033](#) [0009507031](#) [57102-F02-18ULF](#) [57102-S06-03LF](#) [57202-S52-04LF](#) [PCN6-15S-2.5E](#) [0039019024](#) [58102-G61-06LF](#) [582553-1](#) [0009485154](#) [0009508121](#) [0022285053](#) [0050291907](#) [018731A](#) [LY20-4P-DT1-P1E-BR](#) [02.125.8002.8](#) [60101931](#) [60598-1 \(Cut Strip\)](#) [M1625-3R/100](#) [61062-3](#) [61082-181009](#) [CSU011177004](#) [636-1427](#) [638009-1](#) [641938-9](#) [641991-4](#) [644168-1](#) [644827-2](#) [647662-1](#) [65039-019ELF](#) [65692-001LF](#) [65781-018](#) [65781-047](#)