

For and on behalf of
XKB INDUSTRIAL PRECISION CO., LIMITED
 香港星坤工業精密有限公司

MARK	DESCRIPTION	DATE	REVISED	APPROVED	UNSPECIFIED TOLERANCES
△ X					L > 63
△ X					16 < L ≤ 63
△ X					4 < L ≤ 16
△ X					L ≤ 4
					ANGULAR ±5°

REVISIONS	DATE	REVISED	APPROVED	UNSPECIFIED TOLERANCES
				L > 63
				16 < L ≤ 63
				4 < L ≤ 16
				L ≤ 4
				ANGULAR ±5°

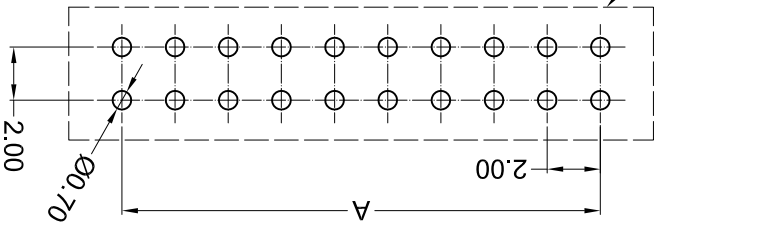
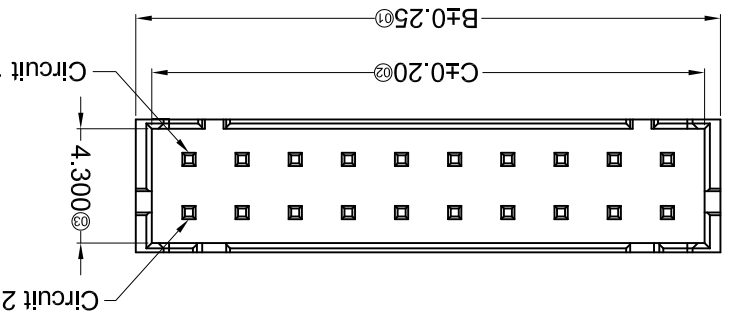
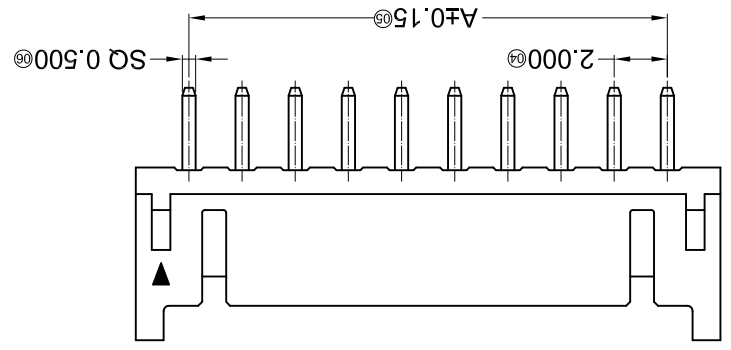
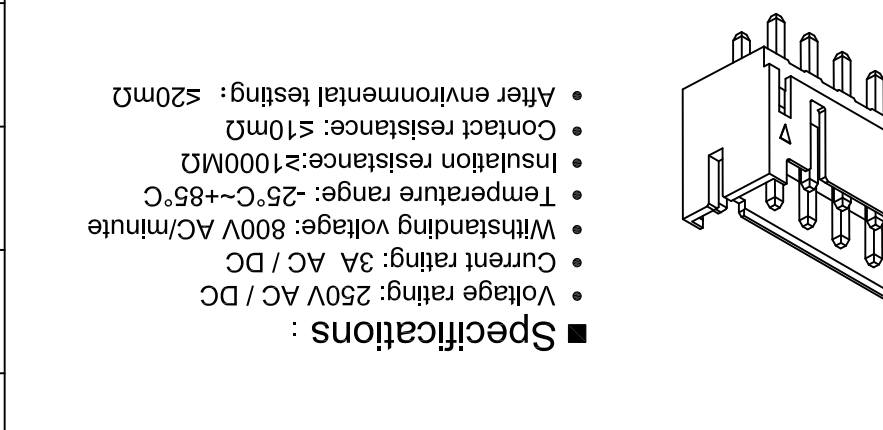
DSND	DATE	SCALE: N/A	MODEL TYPE: X2026WV-2*XX-N0XXXX
DWN	DATE	VIEW:	PART NO.:
CHKD	DATE	UNIT: mm	DWG NO.:
APPD	DATE	SIZE: A4	

PART NO	Material	Material (Pn)	Finish (Pn)	Suitable XKB Terminal
X2026WV-2*XX-N0NSN	PA66 UL 94V-0	Brass	Thn-Plated	X2026H
X2026WV-2*XX-N0V01	PA66 UL 94V-0		Gold-Flash	
X2026WV-2*XX-N0SNMWH	PA66 UL 94V-0 White		Thn-Plated	
X2026WV-2*XXHF-N0SNBK (Halogen Free)	PA66 UL 94V-0 Black		Thn-Plated	

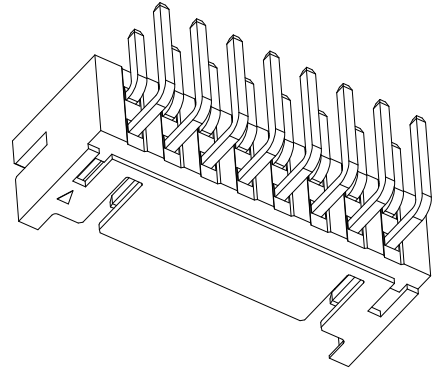
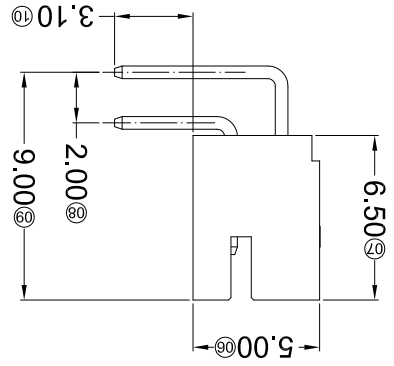
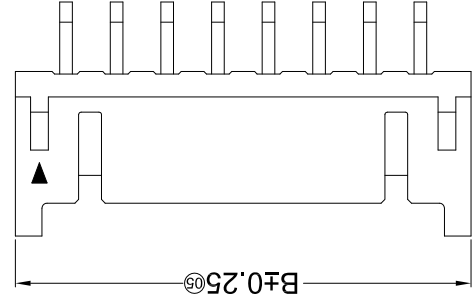
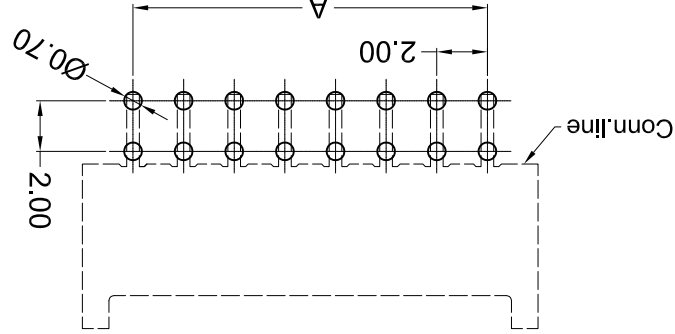
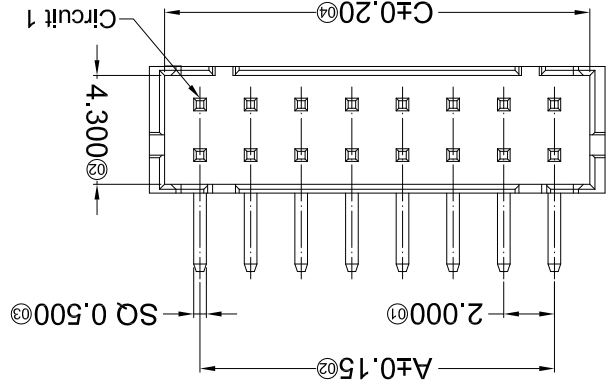
Poles	Dimensions (mm)			Poles	Dimensions (mm)			Poles	Dimensions (mm)			
	A	B	C		A	B	C		A	B	C	
2*02	2.00	6.00	2*09	4.80	2*09	16.00	20.00	18.80	2*16	30.00	34.00	32.80
2*03	4.00	8.00	2*10	6.80	2*10	18.00	22.00	20.80	2*17	32.00	36.00	34.80
2*04	6.00	10.00	2*11	8.80	2*11	20.00	24.00	22.80	2*18	34.00	38.00	36.80
2*05	8.00	12.00	2*12	10.80	2*12	22.00	26.00	24.80	2*19	36.00	40.00	38.80
2*06	10.00	14.00	2*13	12.80	2*13	24.00	28.00	26.80	2*20	38.00	42.00	40.80
2*07	12.00	16.00	2*14	14.80	2*14	26.00	30.00	28.80	2*21	40.00	44.00	42.80
2*08	14.00	18.00	2*15	16.80	2*15	28.00	32.00	30.80	2*22	42.00	46.00	44.80

① Series No. X2026 W V X-2*XX X-N0 XXX XX
 ② Category: W-WAFER
 ③ Welding Board Angle: V-Straight 180°
 ④ Welding Way: Blank-DIP
 ⑤ Row No.-Pin No.: 2*XX-2*02P~2*22P
 ⑥ Plug the Pin & Special No.: HF-Halogen Free
 ⑦ Material: NO-PA66 94V-0
 ⑧ Plating Category: SN-Bright Tin Plating;
 V01-Gold Flash
 ⑨ Color: Blank-Natural Color; BK-Black;WH-White

- Voltage rating: 250V AC / DC
- Current rating: 3A AC / DC
- Withstanding voltage: 800V AC/minute
- Temperature range: -25°C~+85°C
- Insulation resistance: ≥1000MΩ
- Contact resistance: ≤10mΩ
- After environmental testing: ≤20mΩ



Recommended P.C.B Layout
 General Tolerance±0.05
 Conn.line



Recommended P.C.B Layout
General Tolerance±0.05

For and on behalf of
XKB INDUSTRIAL PRECISION CO., LIMITED
香港星坤工業精密有限公司

MARK	DESCRIPTION	DATE	REVISED	APPROVED	UNSPECIFIED TOLERANCES
△ X					±0.5
△ X					16 > L ≤ 63
△ X					4 < L ≤ 16
					L ≤ 4
					ANGULAR ±5°

DSND	DATE	SCALE: N/A	MODEL TYPE: X2026WR-2*XXS-N0SN
CHKD <th>DATE</th> <th>UNIT: mm</th> <th>DWG NO.:</th>	DATE	UNIT: mm	DWG NO.:
APPD <th>DATE</th> <th>SIZE: A4</th> <th>REVISION</th>	DATE	SIZE: A4	REVISION
			WEIGHT 1.0g
			SHEET 1/1
			REVISION A0

PART NO	Material	Material(Fin)	Finish(Fin)	Suitable XKB Terminal
X2026WR-2*XXS-N0SN	PA66 UL 94V-0	Brass	Th-Plated	X2026H

Poles	Dimensions (mm)		
	A	B	C
2*02	2.00	6.00	2*09
2*03	4.00	8.00	2*10
2*04	6.00	10.00	2*11
2*05	8.00	12.00	2*12
2*06	10.00	14.00	2*13
2*07	12.00	16.00	2*14
2*08	14.00	18.00	2*15
2*09	16.00	20.00	2*16
2*10	18.00	22.00	2*17
2*11	20.00	24.00	2*18
2*12	22.00	26.00	2*19
2*13	24.00	28.00	2*20
2*14	26.00	30.00	2*21
2*15	28.00	32.00	2*22
2*16	30.00	34.00	
2*17	32.00	36.00	
2*18	34.00	38.00	
2*19	36.00	40.00	
2*20	38.00	42.00	
2*21	40.00	44.00	
2*22	42.00	46.00	
2*23	44.00	48.00	

- ① Series No.
- ② Category: W-WAFFER
- ③ Welding Board Angle: R-Right Angle 90°
- ④ Welding Way: Blank-DIP
- ⑤ Row No.-Pin No.: 2*XX-2*02P~2*22P
- ⑥ Plug the Pin & Special No.:
- ⑦ Without Positioning baffles on both side
- ⑧ Material: N0-PA66 94V-0
- ⑨ Plating Category: SN-Bright Tin Plating;
- ⑩ Color: Blank-Natural Color

X2026 W R X-2*XX S-N0 SN XX

- Specifications:
- Voltage rating: 250V AC / DC
- Current rating: 3A AC / DC
- Withstanding voltage: 800V AC/minute
- Temperature range: -25°C~+85°C
- Insulation resistance: ≥1000MΩ
- Contact resistance: ≤10mΩ
- After environmental testing: ≤20mΩ

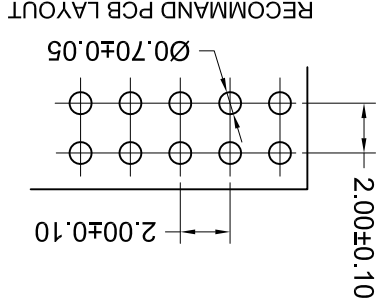
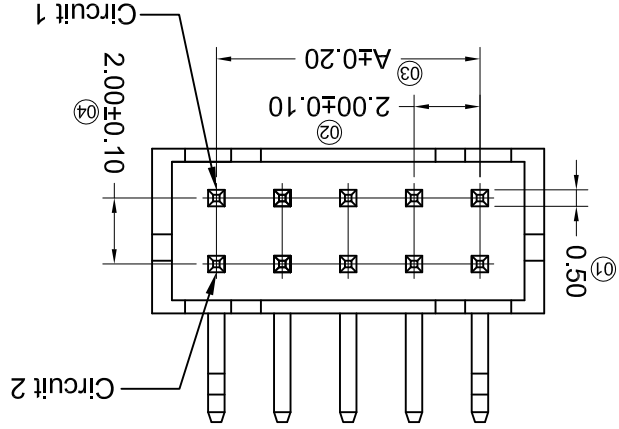
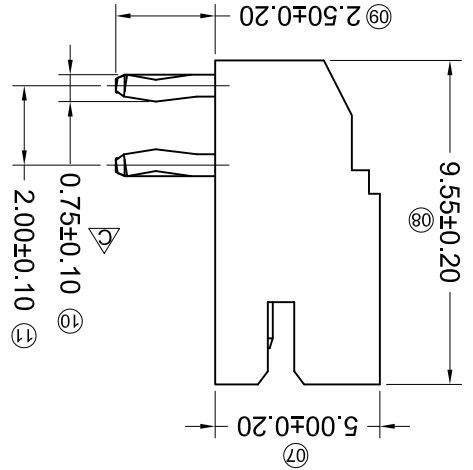
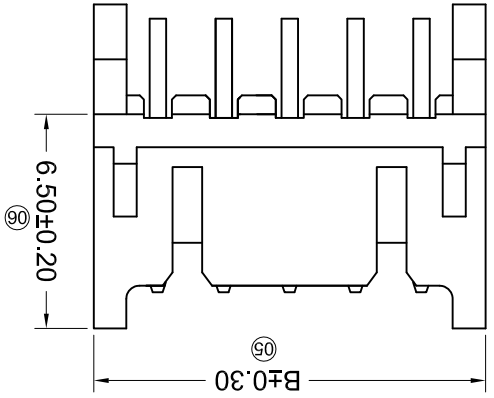
For and on behalf of
XKB INDUSTRIAL PRECISION CO., LIMITED
 香港星坤工業精密有限公司

MARK	DESCRIPTION	DATE	REVISED	APPROVED	UNSPECIFIED TOLERANCES	
					L > 63	± 0.5
△ X					16 > L ≤ 63	± 0.4
△ X					4 < L ≤ 16	± 0.3
△ X					L ≤ 4	± 0.2
					ANGULAR	± 5°

REVISIONS		XKB INDUSTRIAL PRECISION CO., LIMITED	
DATE	APPROVED	DATE	APPD
DATE	REVISED	DATE	CHKD
DATE	APPROVED	DATE	DWN
DATE	REVISED	DATE	DSND

MODEL TYPE: X2026WR-2*XXK-N0SN	SCALE: N/A
PART NO.: 2.00mm Crimp Style Connectors	VIEW:
DWG NO.:	UNIT: mm
SIZE: A4	
WEIGHT: 1.0g	SHEET: 1/1
REVISION: A0	

PART NO	Material	Material(Pin)	Finish(Pin)	Suitable XKB Terminal	Q'ty/Bag
X2026WR-2*XXK-N0SN	Nylon 66 UL 94V-0	Brass	Tin-Plated	X2026H	1,000Pcs



- ① Series No
 ② Category: W-WAFER
 ③ Welding Board Angle: R-90°
 ④ Welding Way: Blank-DIP
 ⑤ Row No.-Pin No.: 2*XX-Double Row
 ⑥ Plug the Pin & Special No:
 K-Plated: 5mm, with kink
 ⑦ Material: N0-PA66 94V-0
 ⑧ Plating Category:
 G*-Gold Plated Contact
 V*- All Gold-Plated
 01-Gold Flash 02-2u" 03-3u" 05-5u"
 10-10u" 15-15u" 30-30u" 50-50u"
 SN-Bright Tin Plating (70-120u")
 SN1-Bright Tin Plating (120u" Min).
 SW- Fog Tin Plating
 HS-Hight temperature Tin
 ⑨ Color : Blank-Natural Color

Poles		Dimension(mm)	
A	B	A	B
04	2.00	6.00	6.00
06	4.00	8.00	8.00
08	6.00	10.00	10.00
10	8.00	12.00	12.00
12	10.00	14.00	14.00
14	12.00	16.00	16.00
16	14.00	18.00	18.00
18	16.00	20.00	20.00
20	18.00	22.00	22.00
22	20.00	24.00	24.00
24	22.00	26.00	26.00
26	24.00	28.00	28.00
28	26.00	30.00	30.00
30	28.00	32.00	32.00
32	30.00	34.00	34.00
34	32.00	36.00	36.00
36	34.00	38.00	38.00
38	36.00	40.00	40.00
40	38.00	42.00	42.00
42	40.00	44.00	44.00
44	42.00	46.00	46.00

- Specifications :
 • Voltage rating: 250V AC / DC
 • Current rating: 3A AC / DC
 • Withstanding voltage: 800V AC/minute
 • Temperature range: -25°C~+85°C
 • Insulation resistance: ≥1000MΩ
 • Contact resistance: ≤10mΩ
 • After environmental testing : ≤20mΩ

For and on behalf of
KKB INDUSTRIAL PRECISION CO., LIMITED
 香港星坤工業精密有限公司

Revisions Authorized Signatures(s)

MARK	DESCRIPTION	DATE	REVISED	APPROVED	UNSPECIFIED TOLERANCES
△ X					L > 63 ± 0.5
△ X					16 > L ≤ 63 ± 0.4
△ X					4 < L ≤ 16 ± 0.3
△ X					L ≤ 4 ± 0.2
					ANGULAR ± 5°

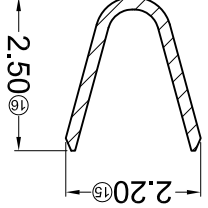
REVISION	SHEET	WEIGHT	DATE	DATE	DATE	DATE
A0	1/1	1.0g				

KKB INDUSTRIAL PRECISION CO., LIMITED

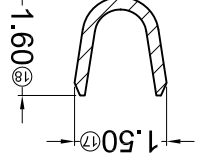
DSND	DATE	SCALE: N/A	MODEL TYPE: X2026T-PXXXX-L
DWN	DATE	VIEW:	PART NO.: 2.00mm Crimp Style Connectors
CHKD	DATE	UNIT: mm	DWG NO.:
APPD	DATE	SIZE: A4	

PART NO	Material	Wire Range	Insulation O.D.	Finish
X2026T-PG03-L	Phosphor Bronze	AWG#22-28	1.50mm(Max)	Stamping Before Plating: 30u" MIN, Ni: 70u" MIN, Sn
X2026T-PV01-L				Plating Before Stamping: 10u" Ni: 40-60u" Sn
X2026T-PNSB-L				Stamping Before Plating: 30u" MIN, Ni: Whole Gold Flash
X2026T-PV01-L				Stamping Before Plating: 30u" MIN, Ni: Contact Area Gold: 3u" Min.
X2026T-PG03-L				Stamping Before Plating: 30u" MIN, Ni: Suitable XK8 Terminal

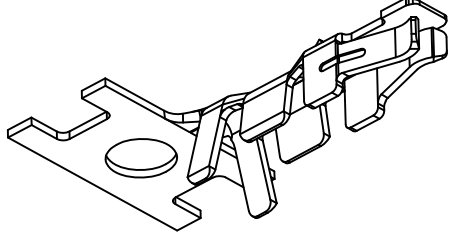
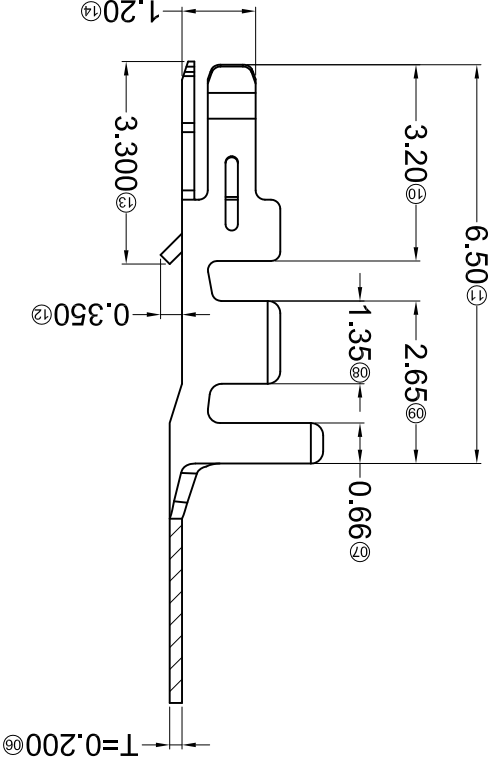
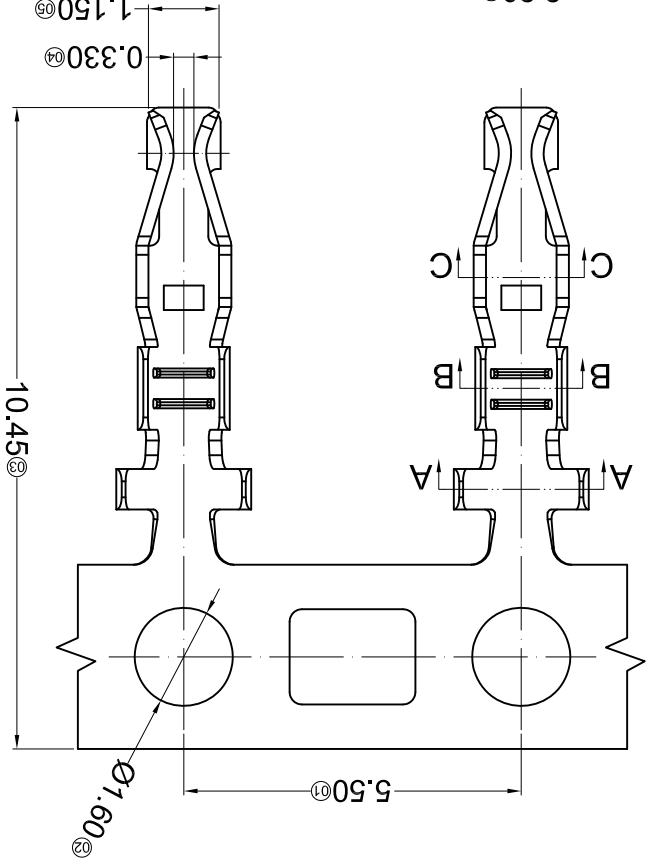
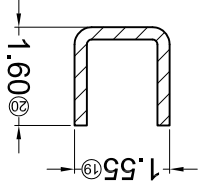
SECTION: A-A
SCALE: 1:1



SECTION: B-B
SCALE: 1:1



SECTION: C-C
SCALE: 1:1



- ① Series Number
 X2026 T X-P XXX X - L
- ② Category: T-terminal
 ③ Shape: Blank-ordinary
 ④ Material: P-Phosphor bronze
 ⑤ Plating style: SN-Bright tin plating : V01-Gold Flash
 G03-Gold 3u" Plated Contact
 ⑥ Plating method: Blank-Stamping before plating
 B-Plating before stamping
 ⑦ Mold No./Mark/Special No.: L- Loose

- Specifications :
- Voltage rating: 250V AC / DC
 - Current rating: 3A AC / DC
 - Withstanding voltage: 800V AC/minute
 - Temperature range: -25°C~+85°C
 - Insulation resistance: ≥1000MΩ
 - Contact resistance: ≤10mΩ
 - After environmental testing : ≤20mΩ

For and on behalf of
XKB INDUSTRIAL PRECISION CO., LIMITED
 香港星坤工業精密有限公司

Authorized Signatures

MARK	DESCRIPTION	DATE	REVISED	APPROVED	UNSPECIFIED TOLERANCES
△ X					L > 63
△ X					16 < L ≤ 63
△ X					4 < L ≤ 16
					L ≤ 4
					ANGULAR
					± 5°

REVISION	SHEET	WEIGHT	1.0g	8
AO	1/1			

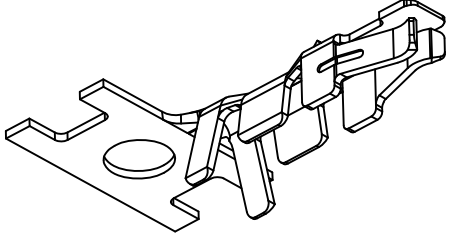
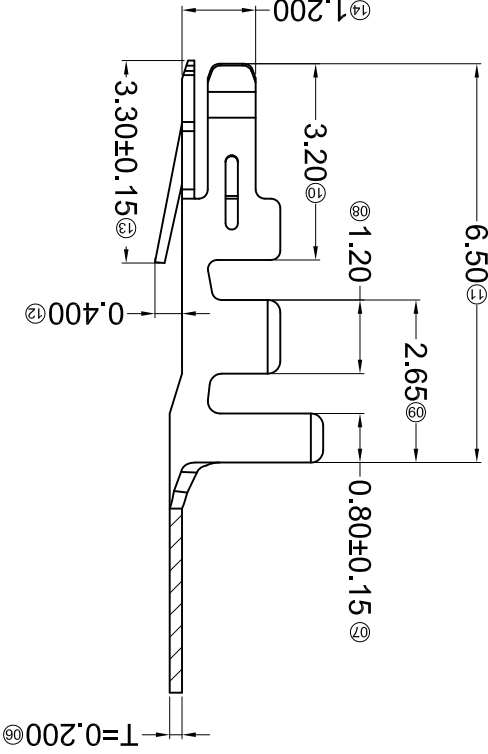
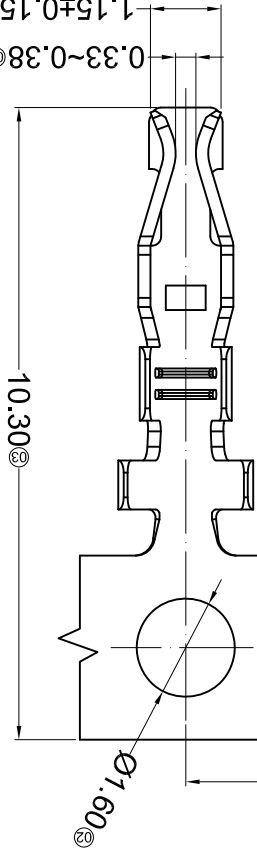
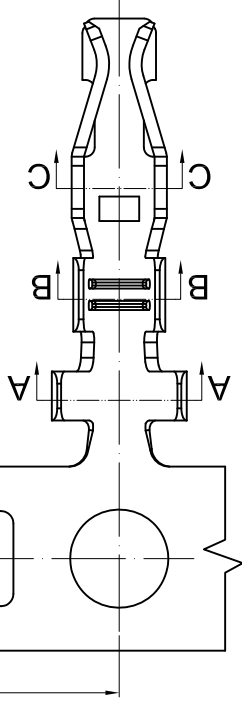
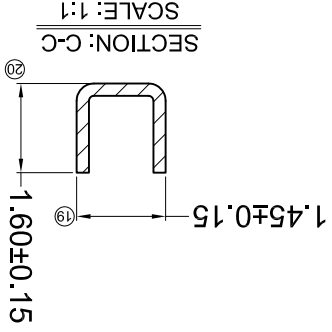
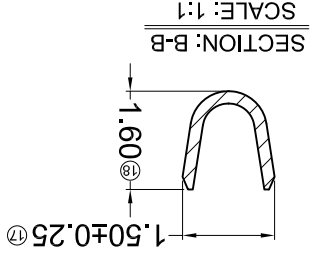
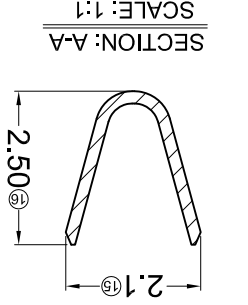
DSND	DATE	SCALE: N/A	MODEL TYPE: X2026T-PSN-AQ

DWN	DATE	VIEW:	PART NO.: 2.00mm Crimp Style Connectors

CHKD	DATE	UNIT: mm	DWG NO.:

APPD	DATE	SIZE: A4

PART NO	Material	Wire Range	Insulation O.D.	Finish
X2026T-PSN-AQ	Phosphor Bronze	AWG#22-28	1.50mm(Max)	Stamping Before Plating: 30u" MIN, Ni: 70u" MIN, Sn
X2026H-B, 2026H-C				Plating Before Stamping: 10u" Ni: 40-60u" Sn



- Specifications:
- Voltage rating: 250V AC / DC
 - Current rating: 3A AC / DC
 - Withstanding voltage: 800V AC/minute
 - Temperature range: -25°C~+85°C
 - Insulation resistance: ≥1000MΩ
 - Contact resistance: ≤10mΩ
 - After environmental testing: ≤20mΩ

X2026 T X-P SN X-AQ

① Series Number

② Category: T-terminal

③ Shape: Blank-ordinary

④ Material: P-Phosphor bronze

⑤ Plating style: SN-Bright tin plating

⑥ Plating method: Blank-Stamping before plating

⑦ B-Plating before stamping

⑧ Mold No./Mark/Special No.:

AQ-Mates with Lock Housing

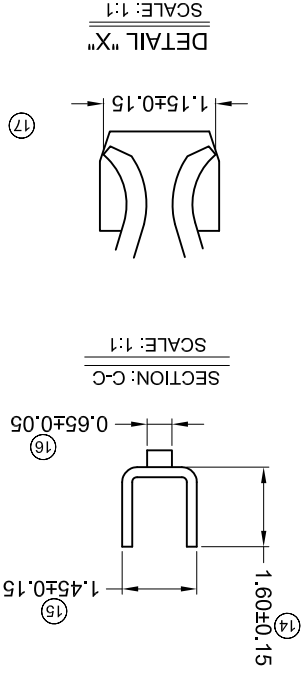
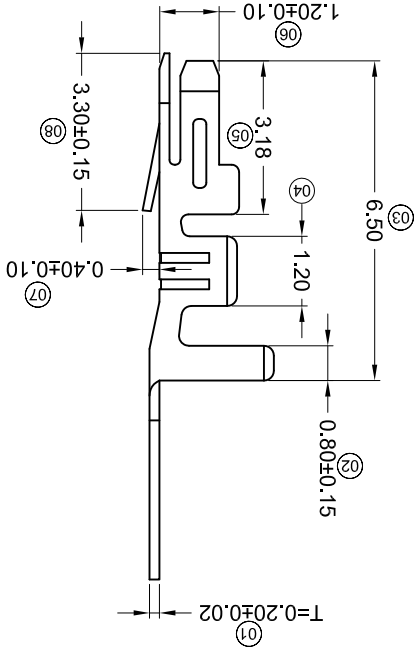
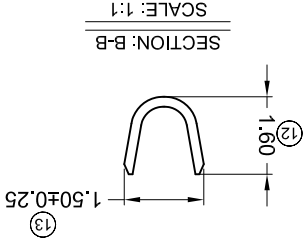
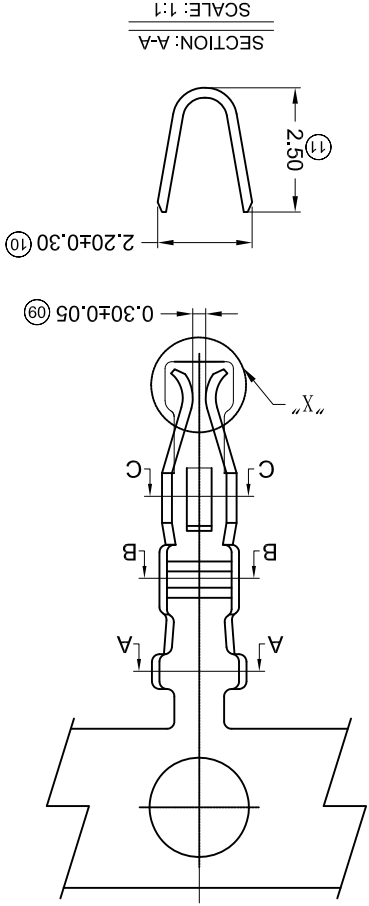
For and on behalf of
XKB INDUSTRIAL PRECISION CO., LIMITED
 香港星洲工業精密有限公司
 REVISIONS
 Authorized Signatures(s)

MARK	DESCRIPTION	DATE	REVISED	APPROVED	UNSPECIFIED TOLERANCES
△ X					L > 63 ± 0.5
△ X					16 < L ≤ 63 ± 0.4
△ X					4 < L ≤ 16 ± 0.3
△ X					L ≤ 4 ± 0.2
					ANGULAR ± 5°

REVISION	SHEET	WEIGHT	DATE	DATE	DATE	DATE	DATE
A0	1/1	1.0g					

XKB INDUSTRIAL PRECISION CO., LIMITED	SIZE: A4	APPD
DWG NO.:	UNIT: mm	CHKD
2.00 mm Crimp Style Connector		DWN
PART NO.:	VIEW:	DNSD
X2026T-PSN-A	SCALE: N/A	
MODEL TYPE:		

PART NO	Material	Wire Range	Insulation O.D.	Finish	Suitable XKB	Q'ty/Reel
X2026T-PSN-A	Phosphor Bronze	AWG#22-28	1.50mm(Max)	Stamping before plating:30~50u" Ni;70~120u" Sn	X2026H-B;X2026H-C;X2026H-D	10,000Pcs
X2026T-PSN-B				Plating Before Stamping:10~30u" Ni;40~60u" Sn		



⑦ Mold No./Mark/Special No.
 B-Plating before stamping
 A-Mating With Lock Housing

⑥ Plating Method : Blank-Stamping before Plating
 SW- Fog Tin Plating
 0-No Plating Material
 SN1-Bright Tin Plating (120u" Min).
 SN-Bright Tin Plating (70-120u")
 05-5u" 10-10u" 15-15u"
 01-Gold Flash 02-2u" 03-3u"
 V*- All Gold-Plated
 ⑤ Plating Style: G**-Gold Plated Contact

④ Material: P-Phosphor bronze
 B-Brass
 ③ Appearance type: Blank-Ordinary
 ② Category: T-Terminal
 ① Series No.

X2026 T X-P SN X-A
 ① ② ③ ④ ⑤ ⑥ ⑦

- Specifications :
- Voltage rating: 250V AC / DC
 - Current rating: 3A AC / DC
 - Withstanding voltage: 1000V AC/minute
 - Temperature range: -25°C~+85°C
 - Insulation resistance: ≥1000MΩ
 - Contact resistance: ≤30mΩ
 - After environmental testing : ≤50mΩ

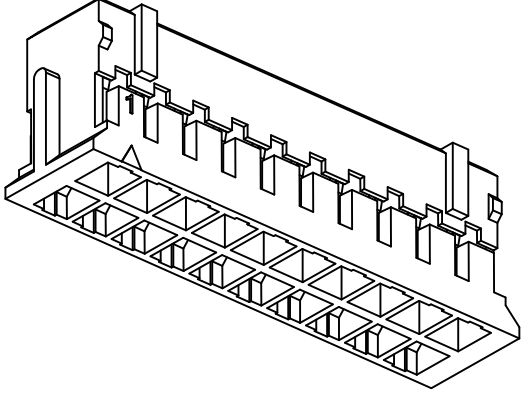
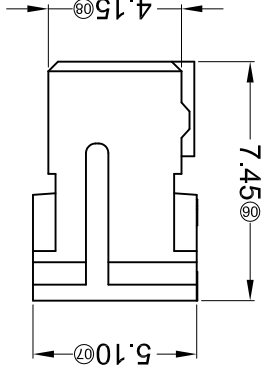
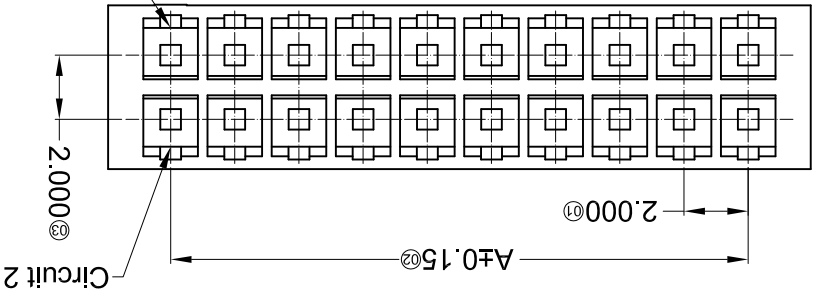
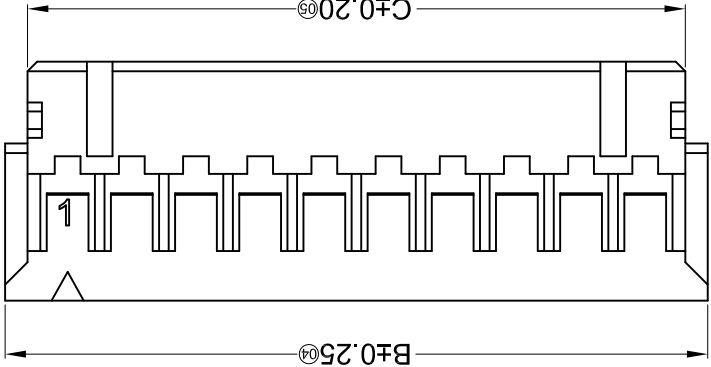
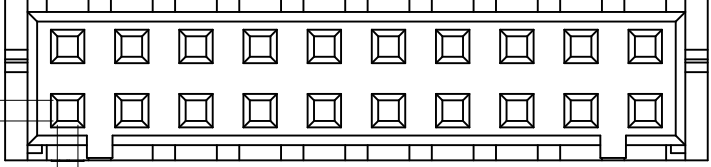
For and on behalf of
XKB INDUSTRIAL PRECISION CO., LIMITED
 香港星坤工業精密有限公司

MARK	DESCRIPTION	DATE	REVISED	APPROVED	UNSPECIFIED TOLERANCES
△ X					L > 63
△ X					16 < L ≤ 63
△ X					4 < L ≤ 16
△ X					L ≤ 4
					ANGULAR
					±5°

XKB INDUSTRIAL PRECISION CO., LIMITED

REVISION	SHEET	WEIGHT
A0	1/1	1.0g

DSND	DATE	SCALE: N/A	MODEL TYPE: X2026H-2*XXXX-N0
DWN	DATE	VIEW:	PART NO.:
CHKD	DATE	UNIT: mm	DWG NO.:
APPD	DATE	SIZE: A4	



Poles	Dimensions (mm)		
	A	B	C
2*02	2.00	5.90	2*13
2*03	4.00	7.90	2*14
2*04	6.00	9.90	2*15
2*05	8.00	11.90	2*16
2*06	10.00	13.90	2*17
2*07	12.00	15.90	2*18
2*08	14.00	17.90	2*19
2*09	16.00	19.90	2*20
2*10	18.00	21.90	2*21
2*11	20.00	23.90	2*22
2*12	22.00	25.90	24.50

- ① Series No.
- ② Category: H-HSG
- ③ Appearance type: Blank-Ordinary
- ④ Row No.-Pin No.: 2*XX-2*02P~2*22P
- ⑤ Plug the Pin & special No.:
- ⑥ Material: NO-PA66 94V-0
- ⑦ Color: Blank-Natural Color

X2026 H X-2*XX HF-N0 XX

- Voltage rating: 250V AC / DC
- Current rating: 3A AC / DC
- Withstanding voltage: 800V AC/minute
- Temperature range: -25°C~+85°C
- Insulation resistance: ≥1000MΩ
- Contact resistance: ≤10mΩ
- After environmental testing: ≤20mΩ

■ Specifications :

X-ON Electronics

Largest Supplier of Electrical and Electronic Components

Click to view similar products for [Headers & Wire Housings](#) category:

Click to view products by [XKB](#) manufacturer:

Other Similar products are found below :

[95000-104TRLF](#) [10135584-644402LF](#) [DF62W-EP2022PCA](#) [95000-106TRLF](#) [DF62W-2022SCA](#) [DF62W-EP2022PC](#) [2203348](#) [DF62W-2022SC](#) [1084018](#) [1029039](#) [1084017](#) [802-10-012-10-002000](#) [1112640](#) [1112639](#) [891-007-9SS-BST1T](#) [000-34000](#) [0008550134](#) [0009482033](#) [0009507031](#) [57102-F02-18ULF](#) [57102-S06-03LF](#) [57202-S52-04LF](#) [PCN6-15S-2.5E](#) [0039019024](#) [58102-G61-06LF](#) [582553-1](#) [0009485154](#) [0009508121](#) [0022285053](#) [0050291907](#) [018731A](#) [LY20-4P-DT1-P1E-BR](#) [02.125.8002.8](#) [60101931](#) [60598-1 \(Cut Strip\)](#) [M1625-3R/100](#) [61062-3](#) [61082-181009](#) [CSU011177004](#) [636-1427](#) [638009-1](#) [641938-9](#) [641991-4](#) [644168-1](#) [644827-2](#) [647662-1](#) [65039-019ELF](#) [65692-001LF](#) [65781-018](#) [65781-047](#)