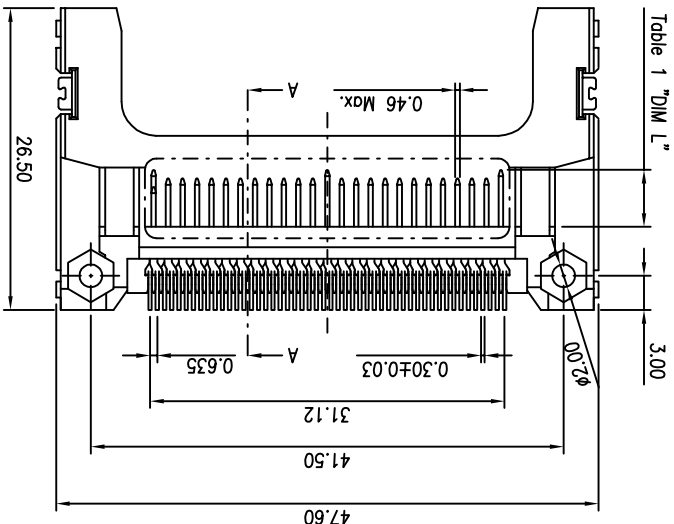
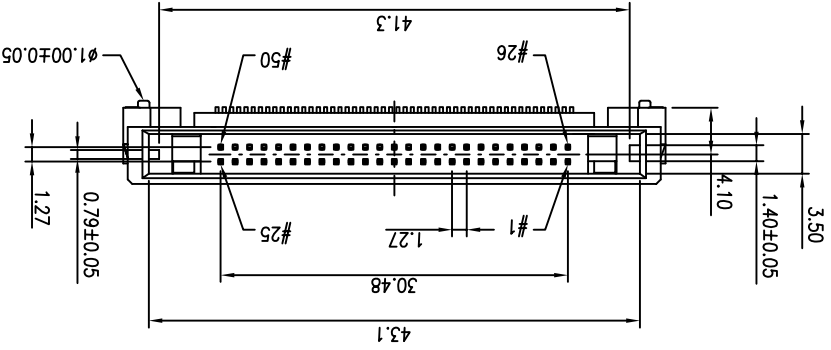
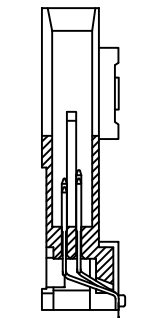


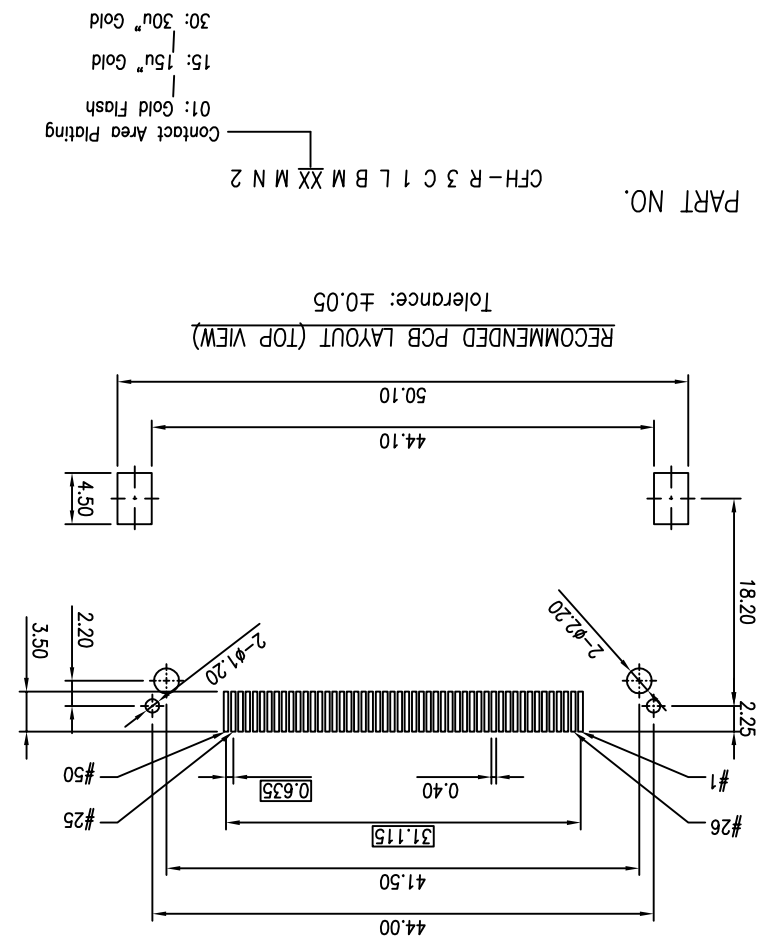
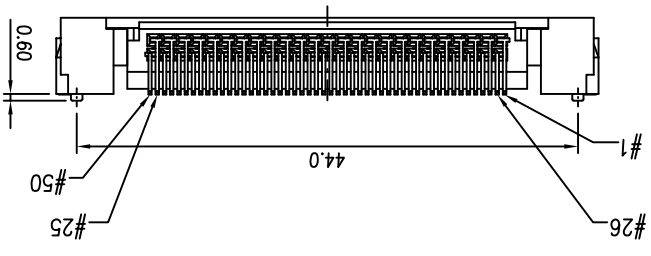
REV	ECN NO.	NAME	DATE	4 .XXX±0.08	5 DRWN: Wei Renwen	6 Q'TY:	7 MM	8 INSPECTION
A	New Release	Wei Renwen	Apr.15,2007	.XX±0.15	CHKD: Schumi	FINISH:	UNITS	
				.X±0.20	APPD: Jason	MAT'L:	DWG NO.	
				X.±0.30	PART NO. CFH-R3C1LBMXXMN2			
TOLERANCE		LINEAR		X.±	TITLE: CF Card Header Type 1, Standoff 1.65mm			
		ANGLES		X.±	DONGGUAN UMAXCONN ENTERPRISE LIMITED			
				.XX±	Umax 东莞市外贸实业有限公司			
				.XX±	CFH-R3C1LBMXXMN2			



SECTION A-A



0.10
ALL SOLDERTAIL & HOLDOWN



NOTE:
1.MATERIAL HOUSING: HIGH TEMPERATURE THERMOPLASTIC.
CONTACT: COPPER ALLOY,t=0.3mm.
HOLDOWN: BRASS , t=0.3mm
2.FINISH CONTACT: UNDERPLATED: 50 u" MIN NICKEL
CONTACT AREA: SELECTIVE GOLD OVER NICKEL PLATED.
SOLDER AREA: 100u" MIN TIN OVER NICKEL PLATED.
HOLDOWN: 100u" MIN TIN OVER 50u" MIN NICKEL PLATED.

Table 1		Pin No.	Dim. L
Detect	3.50mm (0.138in)	25,26	
General	4.25mm (0.167in)	The Others	
Power	5.00mm (0.197in)	01,13,38,50	±0.20

RECOMMENDED PCB LAYOUT (TOP VIEW)
Tolerance: ±0.05

PART NO. CFH-R3C1LBMXXMN2

Contact Area Plating
01: Gold Flash
15: 15u" Gold
30: 30u" Gold

X-ON Electronics

Largest Supplier of Electrical and Electronic Components

Click to view similar products for [Standard Card Edge Connectors](#) category:

Click to view products by [UMAX](#) manufacturer:

Other Similar products are found below :

[6565204-6](#) [PKC-156](#) [1437274-4](#) [147889-1](#) [1489165-4](#) [EBT156-12B1X](#) [EBT15622B2X](#) [EBT156-22R2W](#) [1-582587-1](#) [1-582589-1](#) [2-6437275-9](#) [284-0102-12100](#) [306022901000000](#) [307-012-502-202](#) [307-024-526-201](#) [307-056-520-300](#) [307-080-526-208](#) [1926088-2](#) [245-062-520-350](#) [287-0032-12101](#) [306-010-500-112](#) [306-028-525-102](#) [306-240-318](#) [307-036-502-202](#) [307-036-521-301](#) [307-072-526-202](#) [345-060-559-303](#) [368-004-520-201](#) [392-008-559-201](#) [534671-1](#) [5-530501-5](#) [341-240-317](#) [345-029-520-300](#) [345-030-500-301](#) [345-044-500-300](#) [345-220-058](#) [346-240-318](#) [357-030-526-201](#) [387-012-523-300](#) [395-044-520-300](#) [395-100-524-300](#) [50-12B-10](#) [50-6SN-5](#) [09-07-2032](#) [10035388-106LF](#) [10035388-802LF](#) [10115859-011LF](#) [10122859-009LF](#) [101269333204245CLF](#) [10127905-B04B24BLF](#)