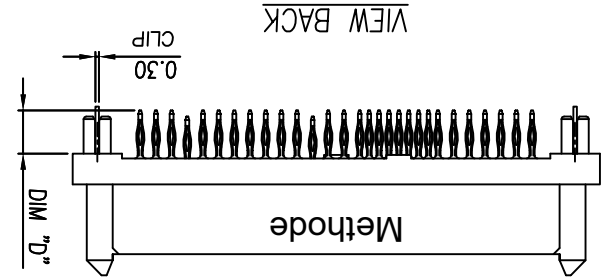
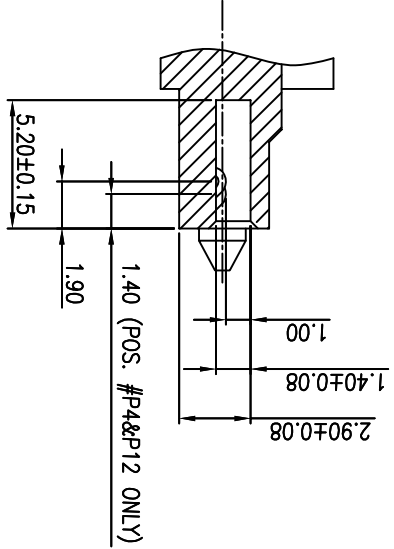
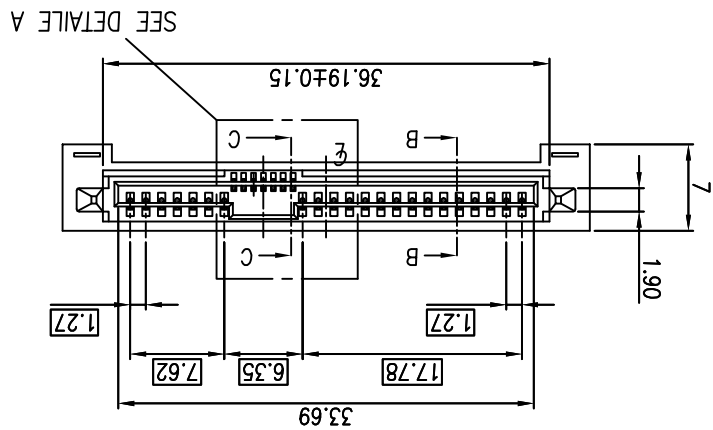
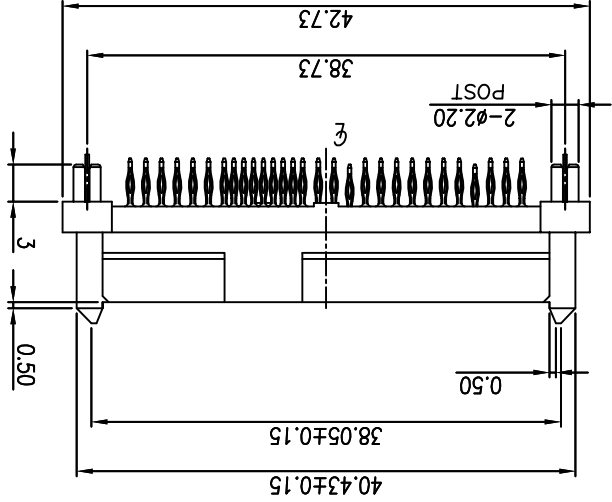
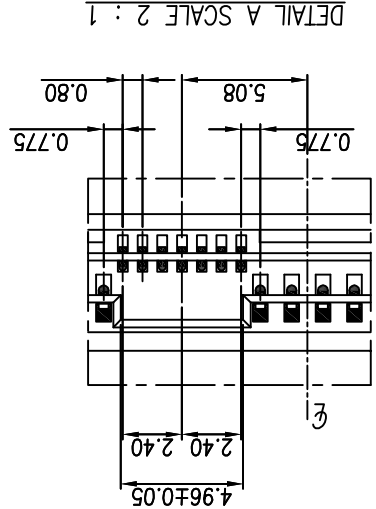
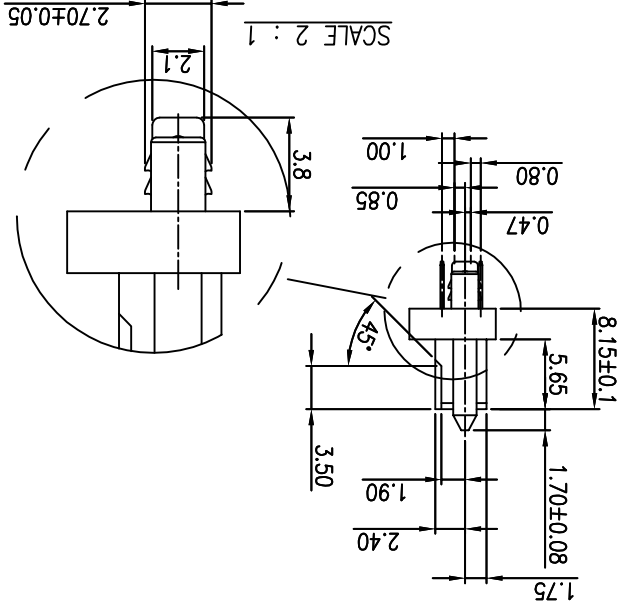
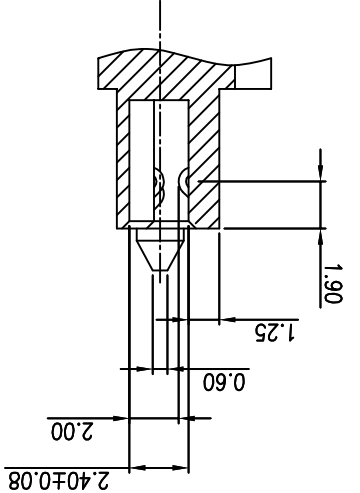


REV		ECN NO.	NAME	DATE	.XXX±.10	.XXX±	DRWN: Terry	Q'TY:	7		8	
A		09001	Terry	Feb,03,2009	.XX±.20	.XX±	CHKD: Schumi	FINISH:	UNITS		CUSTOMER	
B		09006	Terry	Feb,16,2009	.X±.30	.X±	APPD: Jason	MAT'L:	SCALE		1 OF 2	
					X±.40	X±	DONGGUAN UMAXCONN ENTERPRISE LIMITED		DWG NO.		C-610305-1	
					LINEAR	ANGLES	Umax conn 东莞市外贸实业有限公司		PART NO.		SM06097-SA29RA-1LXT	
					TOLERANCE		TITLE: SERIAL ATTACHED SCSI HOST RECEPTACLE CONNECTOR		MM		1 : 1	



SECTION C-C SCALE 2 : 1



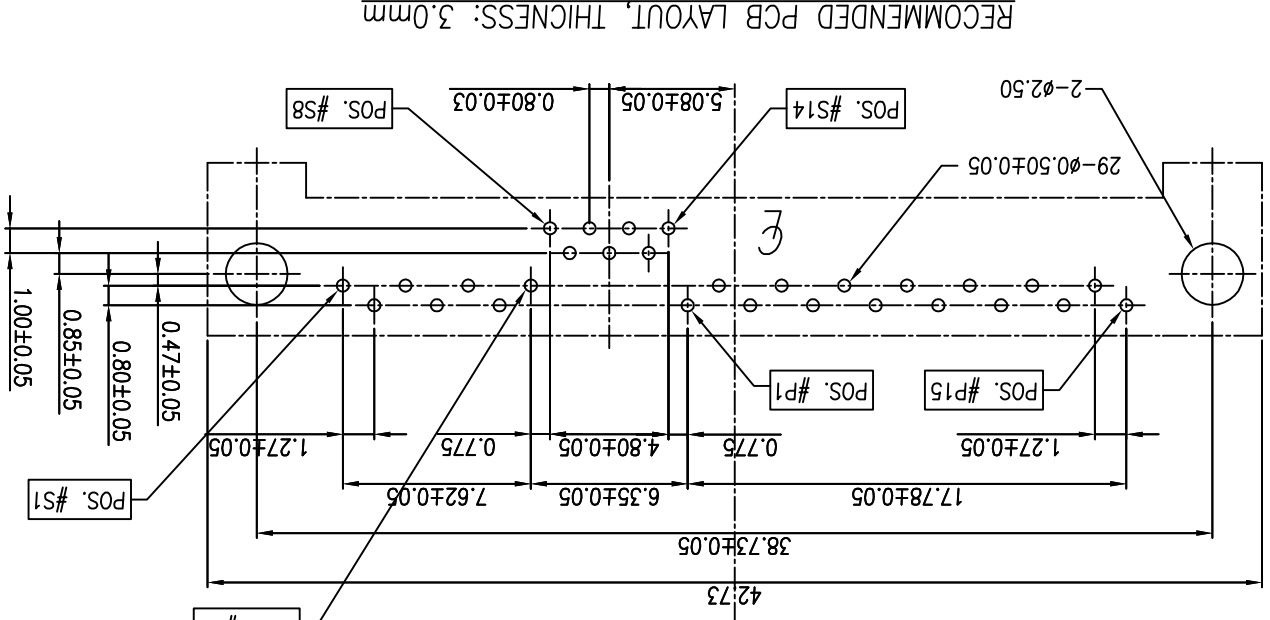
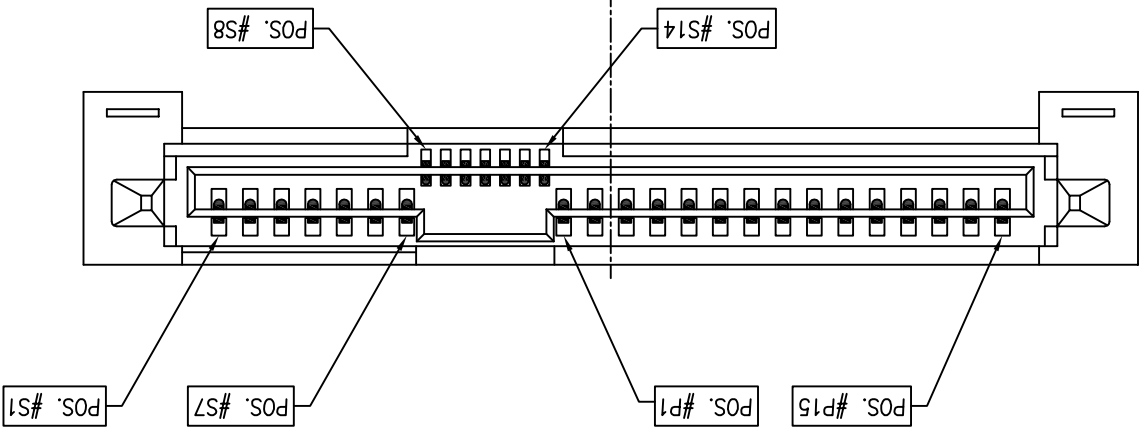
PRESS IN TYPE

1  
2  
3  
4  
5  
6  
7  
8

NOTE:  
 1. MATERIAL  
 1.1 HOUSING: HIGH TEMPERATURE THERMOPLASTIC, UL 94V-0, COLOR: BLACK  
 1.2 CONTACT: COPPER ALLOY, t=0.30mm.  
 1.3 CLIP: SUS, S301 t=0.30mm.  
 2. FINISH:  
 2.1 CONTACT AREA: SELECTIVE GOLD PLATING.  
 2.2 TERMINATION AREA: 3u" MIN. GOLD.  
 2.3 OVERALL: 30u" MAX. NICKEL UNDERPLATING.  
 PART NO:  
 SM06097-SA29RA-1 X X 1  
 HOUSING MATERIAL L: LCP, COLOR BLACK  
 CONTACT PLATING OPTION R: GOLD FLASH  
 5: 15u"AU  
 8: 30u"AU

CONNECTOR PIN ASSIGNMENTS

Pos.	FUNCTION	DIM D	Pos.	FUNCTION	DIM D
S1	GROUND	P1	3.3 V		
S2	RP+	P2	3.3 V		
S3	RP-	P3	3.3 V		
S4	GROUND	P4	GROUND		
S5	TP-	P5	GROUND		
S6	TP+	P6	GROUND		
S7	GROUND	P7	5 V		
S8	GROUND	P8	5 V		
S9	RS+	P9	5 V		
S10	RS-	P10	GROUND		
S11	GROUND	P11	GROUND		
S12	TS-	P12	GROUND		
S13	TS+	P13	12 V		
S14	GROUND	P14	12 V		
S15	---	P15	12 V		



REV	ECN NO.	NAME	DATE	.XXX±	.XXX±	DRWN:	Q'TY:
A	09001	Terry	Feb,03,2009	.XX±	.XX±	CHKD: Schumi	FINISH:
B	09006	Terry	Feb,16,2009	.X±	.X±	APPD: Jason	MAT'L:

REV	SCALE	SHEET	REV
B	2 OF 2		

TITLE: SERIAL ATTACHED SCSI HOST RECEPTACLE CONNECTOR  
 DONGGUAN UMAXCONN ENTERPRISE LIMITED  
 Umax 东莞市外贸实业有限公司

1  
2  
3  
4  
5  
6  
7  
8

CUSTOMER

## X-ON Electronics

Largest Supplier of Electrical and Electronic Components

*Click to view similar products for [Standard Card Edge Connectors](#) category:*

*Click to view products by [UMAX](#) manufacturer:*

Other Similar products are found below :

[6565204-6](#) [PKC-156](#) [1437274-4](#) [147889-1](#) [1489165-4](#) [EBT156-12B1X](#) [EBT15622B2X](#) [EBT156-22R2W](#) [1-582587-1](#) [1-582589-1](#) [2-6437275-9](#) [284-0102-12100](#) [306022901000000](#) [307-012-502-202](#) [307-024-526-201](#) [307-056-520-300](#) [307-080-526-208](#) [1926088-2](#) [245-062-520-350](#) [287-0032-12101](#) [306-010-500-112](#) [306-028-525-102](#) [306-240-318](#) [307-036-502-202](#) [307-036-521-301](#) [307-072-526-202](#) [345-060-559-303](#) [368-004-520-201](#) [392-008-559-201](#) [534671-1](#) [5-530501-5](#) [341-240-317](#) [345-029-520-300](#) [345-030-500-301](#) [345-044-500-300](#) [345-220-058](#) [346-240-318](#) [357-030-526-201](#) [387-012-523-300](#) [395-044-520-300](#) [395-100-524-300](#) [50-12B-10](#) [50-6SN-5](#) [09-07-2032](#) [10035388-106LF](#) [10035388-802LF](#) [10115859-011LF](#) [10122859-009LF](#) [101269333204245CLF](#) [10127905-B04B24BLF](#)