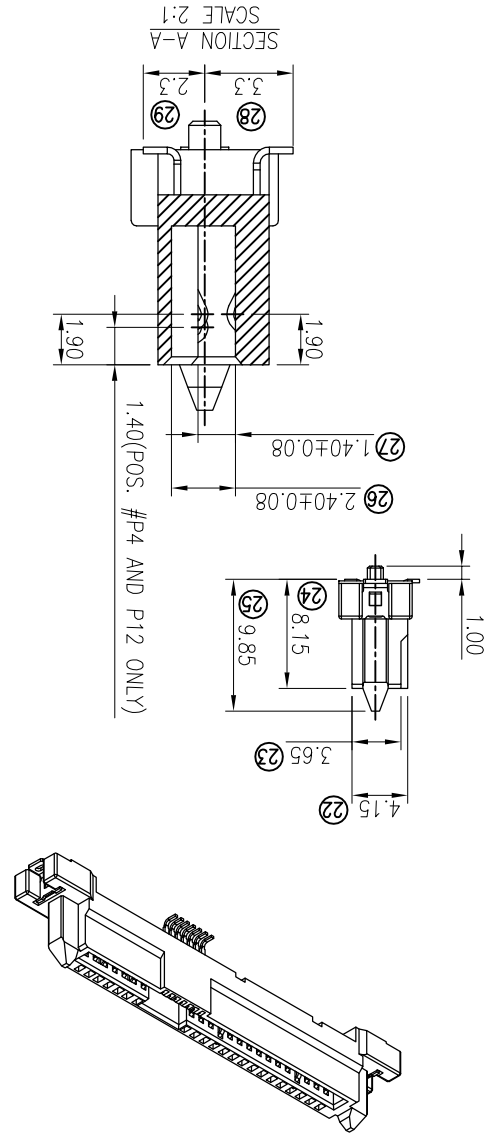
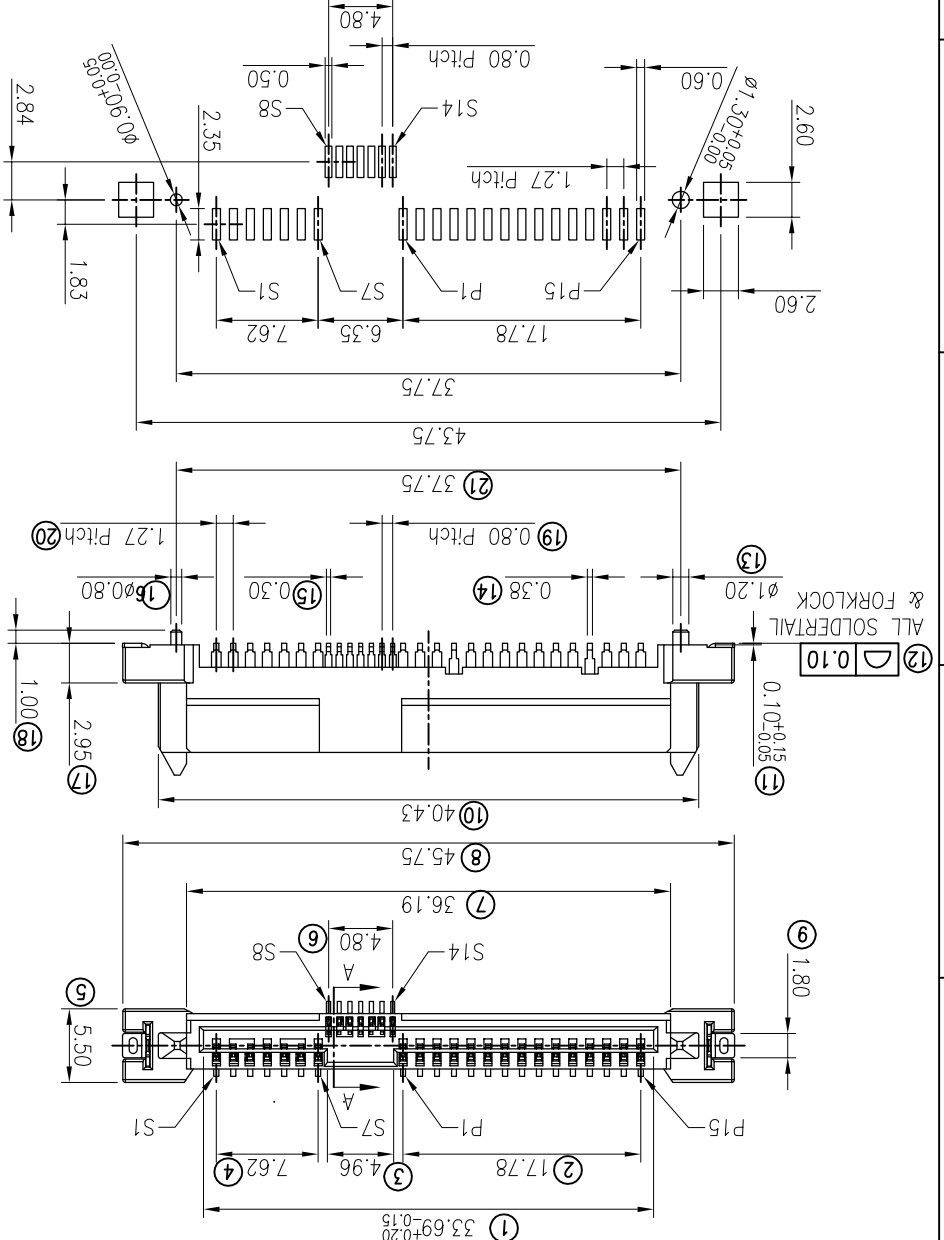


| | | | | | | | | | |
|---|-----|---------|--------------|-------------|--|--------|---|---------|---|
| 1 | REV | ECN NO. | NAME | DATE | .XXX± | .XXX± | DRWN: Lucy | Q'TY: | 7 |
| 0 | 0 | --- | Lucy | Nov,03,2017 | .XX±0.15 | .XX± | CHKD: Schumi | FINISH: | 6 |
| 1 | 1 | --- | Lei Songping | Nov,07,2017 | .X±0.20 | .X± | APPD: Jason | MAT'L: | 5 |
| | | | | | X.±0.30 | X.± | DONGGUAN UMAXCONN ENTERPRISE LIMITED | | 4 |
| | | | | | LINEAR | ANGLES | Umax | | 3 |
| | | | | | TOLERANCE | | DONGGUAN UMAXCONN ENTERPRISE LIMITED | | 2 |
| | | | | | RECOMMENDED PCB LAYOUT (Tolerance:±0.05) | | PART NO. 91904-29XX1X | | 1 |
| | | | | | | | TITLE: 12G SAS CONNECTOR, 29 PIN, RECEPTACLE, VERTICAL, SMT | | 8 |
| | | | | | | | DWG NO. C91904 | | 7 |
| | | | | | | | UNITS MM | | 6 |
| | | | | | | | SCALE SHEET | | 5 |
| | | | | | | | 1 OF 1 | | 4 |
| | | | | | | | CUSTOMER | | 3 |
| | | | | | | | | | 2 |
| | | | | | | | | | 1 |



NOTE:

- MATERIAL: HOUSING: HIGH TEMPERATURE, THERMOPLASTIC, UL94 V-0, COLOR: BLACK. CAP: HIGH TEMPERATURE, THERMOPLASTIC, UL94 V-0, COLOR: BLACK. TERMINAL: COPPER ALLOY. FORKLOCK: COPPER ALLOY.
- FINISH: CONTACT: [SEE PART NO.] GOLD PLATING ON THE CONTACT AREA. 100u" MIN TIN PLATING ON THE SOLDERING AREA. 50u" MIN NICKEL UNDERPLATING OVERALL. FORKLOCK: 100u" MIN TIN PLATING OVERALL. 50u" MIN NICKEL UNDERPLATING OVERALL.
- ELECTRONICAL SPECIFICATION: CURRENT RATING: 1.5 AMPERE PER CONTACT. CONTACT RESISTANCE: 30 MILLIOHMS MAX. INSULATION RESISTANCE: 1000 MEGOHMS MIN. DIELECTRIC WITHSTANDING VOLTAGE: 500 VAC. OPERATING TEMPERATURE: -25C~+85C.

PART NO.: 91904-29 XX 1 X

No. of POS 29: 29P

PACKING 1:TAPE & REEL WITH CAP 2:PIPE & WITH CAP

CONTACT AREA PLATING 01: 1u" GOLD 15: 15u" GOLD 30: 30u" GOLD

X-ON Electronics

Largest Supplier of Electrical and Electronic Components

Click to view similar products for [Backplane Connectors](#) category:

Click to view products by [UMAX](#) manufacturer:

Other Similar products are found below :

[91302-42-067RDM](#) [91302-85-067RDM](#)