

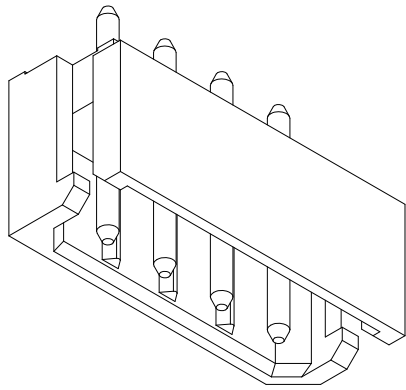
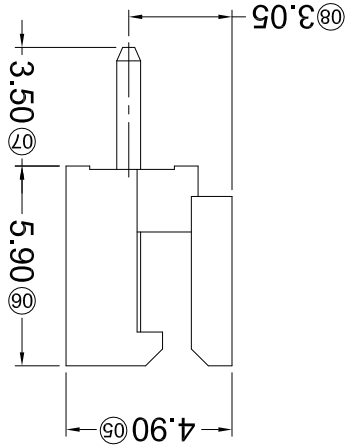
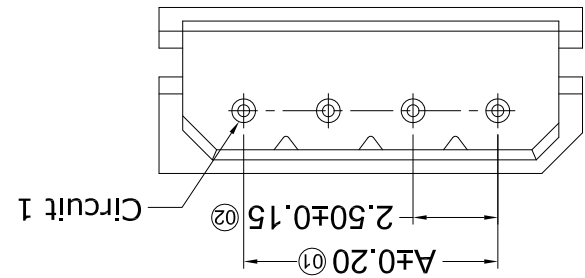
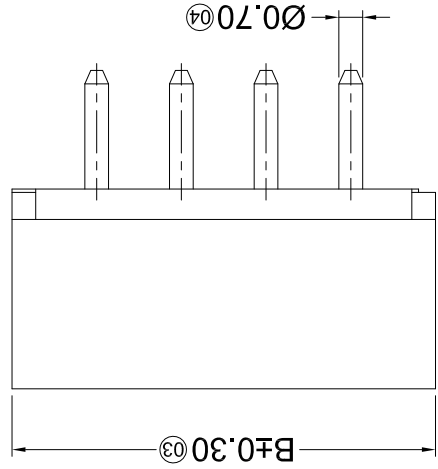
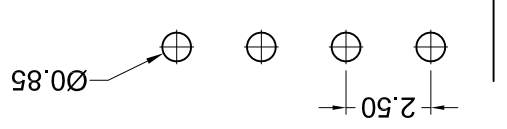
REVISIONS		UNSPECIFIED TOLERANCES	
MARK	DESCRIPTION	DATE	APPROVED
△ X			
△ X			
△ X			

For and on behalf of
KXB INDUSTRIAL PRECISION CO., LIMITED
 香港星坤工業精密有限公司

REVISION	SHEET	WEIGHT	KXB INDUSTRIAL PRECISION CO., LIMITED		
A0	1/1	1.0g	DATE	DATE	DATE
DWN			VIEW:	UNIT: mm	SIZE: A4
CHKD			PART NO.:	DWG NO.:	
APPD			2.50mm Crimp Style Connectors		
DMSD			SCALE: N/A	MODEL TYPE: X2564WV-XX-N0SN	

PART NO	Material	Material(Pin)	Finish(Pin)	Suitable XKB Terminal
X2564WV-XX-N0SN	Nylon 66 UL 94V-0	Brass	Tin-Plated	X2564H

Recommended P.C.B Layout
 General Tolerance±0.05



Poles	Dimensions (mm)	
	A	B
09	20.00	25.00
08	17.50	22.50
07	15.00	20.00
06	12.50	17.50
05	10.00	15.00
04	7.50	12.50
03	5.00	10.00
02	2.50	7.50
A	22.50	27.50
B	30.00	30.00

- ① Series No.
- ② Category: W-WAFER
- ③ Welding Board Angle: V-180°
- ④ Welding Way: Blank-DIP
- ⑤ Row No.-Pin No.: XX-Single Row
- ⑥ Plug the Pin & Special No.
- ⑦ Material: N0 -PA66 94V-0
- ⑧ Plating Category: SN-Bright Tin Plating
- ⑨ Color: Blank-Natural Color

X2564 W V X-XX X -N0 SN XX

- Specifications :
- Voltage rating: 250V AC / DC
 - Current rating: 3A AC / DC
 - Withstanding voltage: 1000V AC/minute
 - Temperature range: -25°C~+85°C
 - Insulation resistance: ≥1000MΩ
 - Contact resistance: ≤20mΩ
 - After environmental testing: ≤30mΩ

Revisions Authorized Signatures(s)

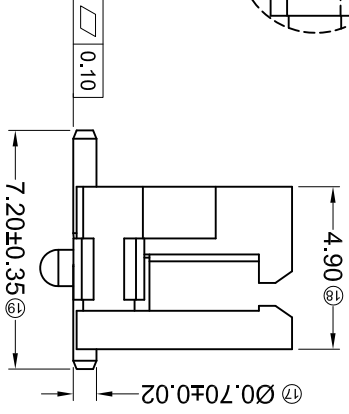
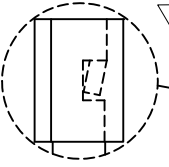
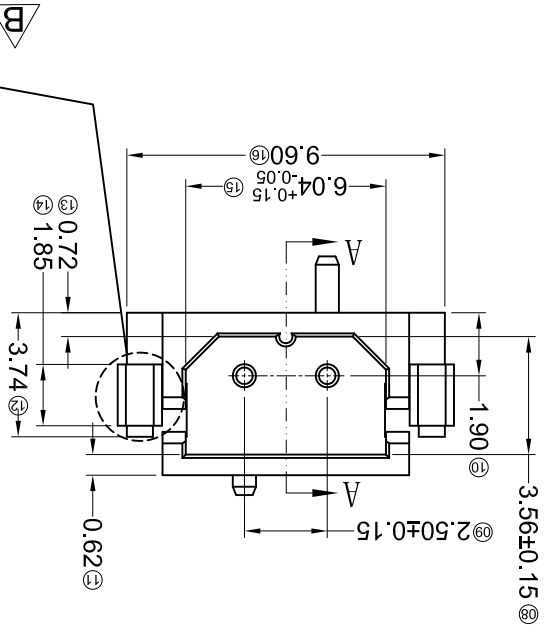
For and on behalf of
 XKB INDUSTRIAL PRECISION CO., LIMITED
 香港星坤工業精密有限公司

MARK	DESCRIPTION	DATE	REVISIONS	APPROVED	REVISOR	DATE
△ X						
△ X						
△ X						

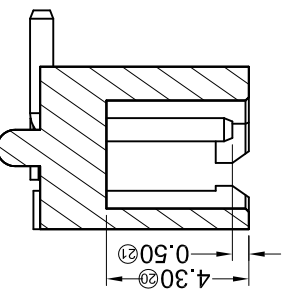
UNSPECIFIED TOLERANCES	APPROVED	REVISOR	DATE	REVISIONS	APPROVED	REVISOR	DATE
±0.5							
L > 63							
16 < L ≤ 63							
4 < L ≤ 16							
L ≤ 4							
±0.2							
±5°							

DATE	SCALE: N/A	MODEL TYPE: X2564WVS-02-XXSW
DNSD	VIEW:	PART NO.: 2.50 mm Crimp Style Connectors
DWN	UNIT: mm	DWG NO.:
CHKD	DATE	SIZE: A4
APPD	DATE	REVISION

PART NO	Material	Material(Pin)	Finish(Pin)	(Solder Tabs) Material	(Solder Tabs) Finish	Suitable XKB Terminal
X2564WVS-02-46SW	PA46 UL 94V-0	Brass	Tin-Plated	Phosphor Bronze	Tin Plating Fog	X2564H
X2564WVS-02-LPSW	LCP UL 94V-0					

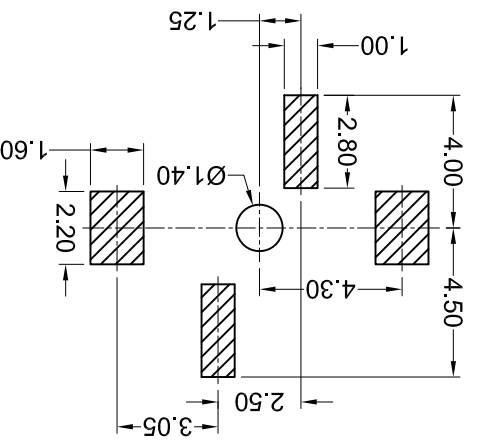
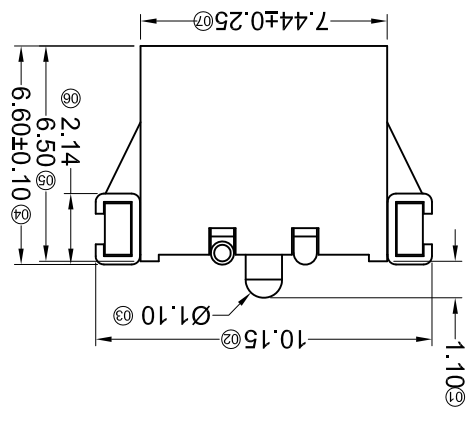


SECTION A-A
 SCALE 1:1



- ① Series No
- ② Category: W-WAFER
- ③ Welding Board Angle: V-180°
- ④ Welding Way: S-SMT
- ⑤ Row No.-Pin No.: XX-Single Row
- ⑥ Plug the Pin & Special No.
- ⑦ Material: LP-LCP 94V-0 46-PA46 94V-0
- ⑧ Plating Category:
- G*-Gold Plated Contact
- V*-All Gold-Plated
- 01-Gold Flash 02-2u" 03-3u" 05-5u"
- 10-10u" 15-15u" 30-30u" 50-50u"
- SN-Bright Tin Plating (70-120u")
- SN1-Bright Tin Plating (120u" Min).
- SW-Fog Tin Plating
- HS-Hight temperature Tin
- ⑨ Color: Blank-Natural Color

P.C.B LAYOUT



- Specifications:
- Voltage rating: 250V AC / DC
 - Current rating: 3A AC / DC
 - Withstanding voltage: 1000V AC/minute
 - Temperature range: -25°C~+85°C
 - Insulation resistance: ≥1000MΩ
 - Contact resistance: ≤20mΩ
 - After environmental testing: ≤30mΩ

X2564 W V S-02 X-XX SW XX

REVISIONS-
Unauthorized Signatures(s)

MARK	DESCRIPTION	DATE	REVISD	APPROVED	UNSPECIFIED TOLERANCES
△X					L > 63 ±0.5
△X					16 < L ≤ 63 ±0.4
△X					4 < L ≤ 16 ±0.3
					L ≤ 4 ±0.2
					ANGULAR ±5°

For and on behalf of
XKB INDUSTRIAL PRECISION CO., LIMITED
香港星坤工業精密有限公司

DATE	SCALE: N/A	MODEL TYPE:	DWNS	DATE	VIEW:	PART NO.:	CHKD	DATE	UNIT: mm	DWG NO.:	APPD	DATE	SIZE: A4	WEIGHT	SHEET	REVISION
		X2564WR-XX-N0SN			2.50mm Crimp Style Connectors									1.0g	1/1	A0

PART NO	Material	Material(Pin)	Finish(Pin)	Suitable XKB Terminal
X2564WR-XX-N0SN	Nylon 66 UL 94V-0	Brass	Tin-Plated	X2564H

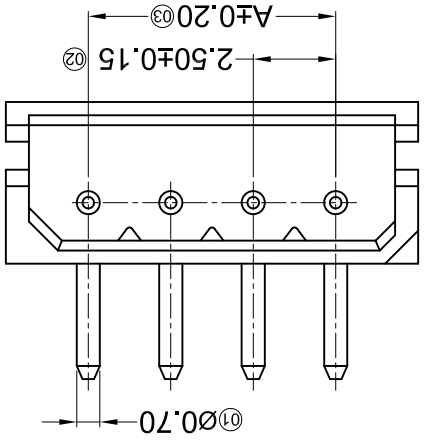
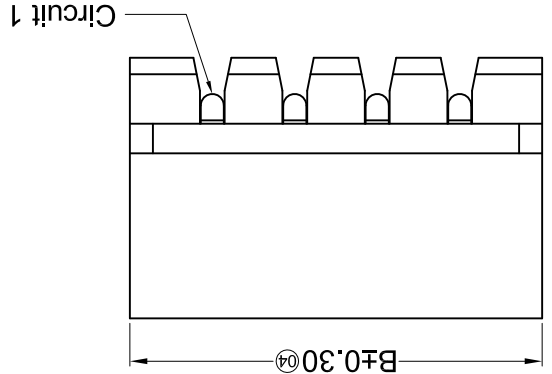
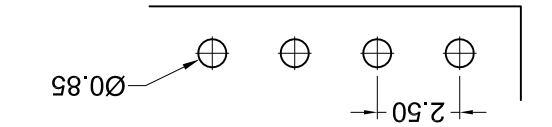
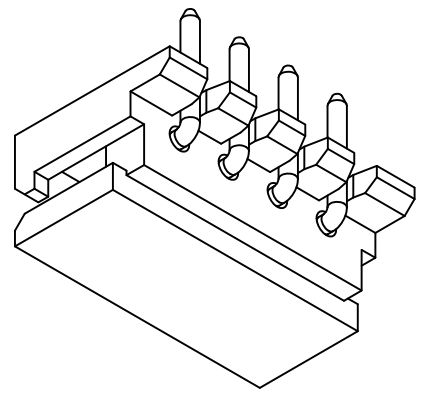
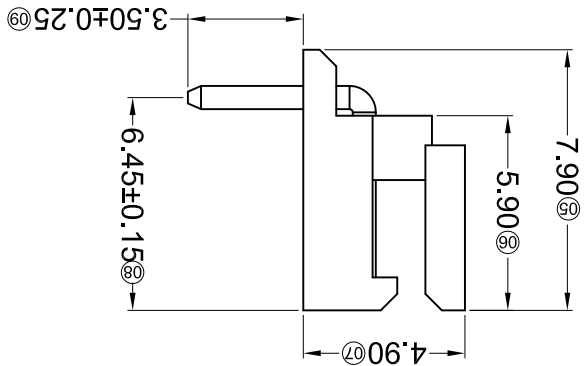
Poles	Dimensions (mm)		Poles	Dimensions (mm)	
	A	B		A	B
02	2.50	7.50	10	22.50	27.50
03	5.00	10.00	11	25.00	30.00
04	7.50	12.50	12	27.50	32.50
05	10.00	15.00	13	30.00	35.00
06	12.50	17.50	14	32.50	37.50
07	15.00	20.00	15	35.00	40.00
08	17.50	22.50	16	37.50	42.50
09	20.00	25.00			

- ① Series No.
- ② Category: W-WAFER
- ③ Welding Board Angle: R-90°
- ④ Welding Way: Blank-DIP
- ⑤ Row No.-Pin No.: XX-Single Row
- ⑥ Plug the Pin & Special No.
- ⑦ Material: NO -PA66 94V-0
- ⑧ Plating Category: SN-Bright Tin Plating
- ⑨ Color: Blank-Natural Color

X2564 W R X-XX X -N0 SN XX

- Voltage rating: 250V AC / DC
- Current rating: 3A AC / DC
- Withstanding voltage: 1000V AC/minute
- Temperature range: -25°C~+85°C
- Insulation resistance: ≥1000MΩ
- Contact resistance: ≤20mΩ
- After environmental testing: ≤30mΩ

■ Specifications :



Recommended P.C.B Layout
General Tolerance±0.05

Revisions (Authorized Signatures)

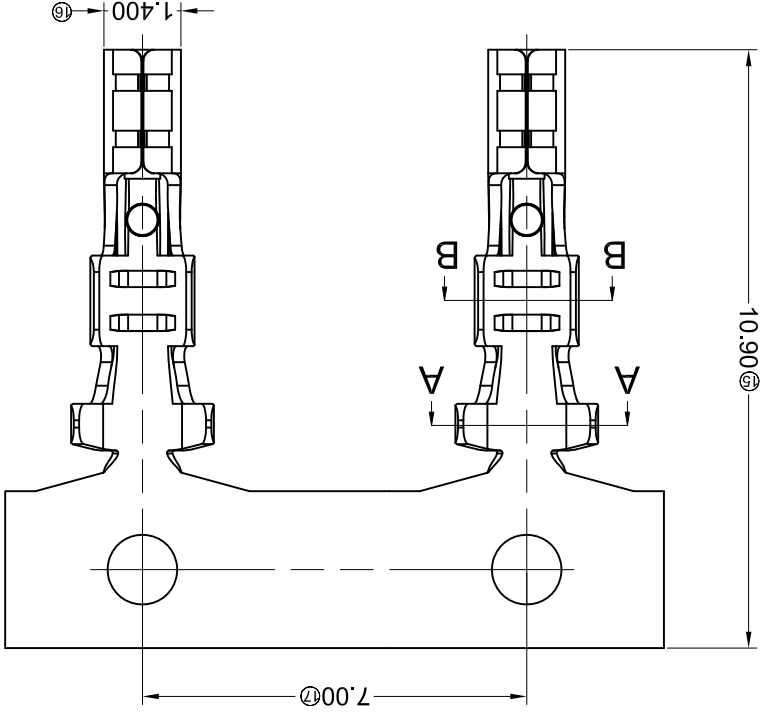
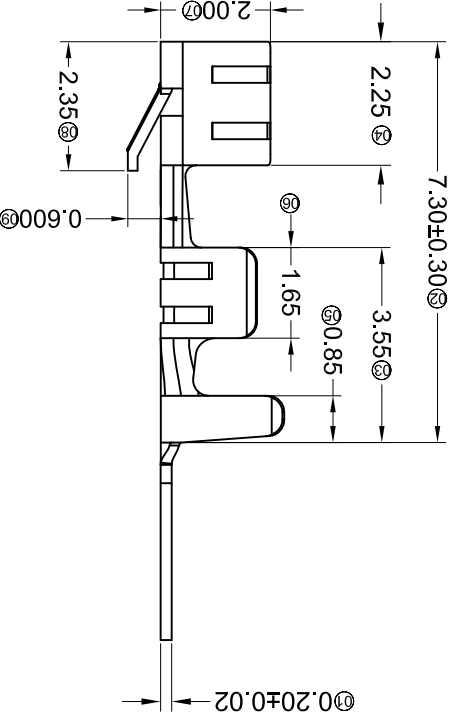
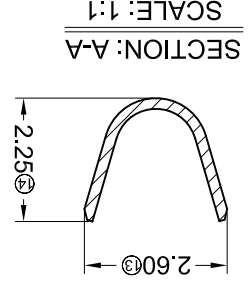
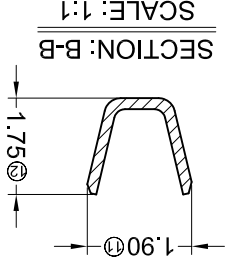
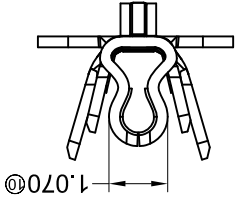
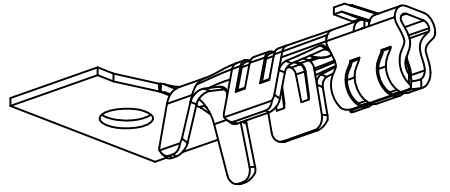
MARK	DESCRIPTION	DATE	REVISED	APPROVED	UNSPECIFIED TOLERANCES
△ X					L > 63 ± 0.5
△ X					16 < L ≤ 63 ± 0.4
△ X					4 < L ≤ 16 ± 0.3
△ X					L ≤ 4 ± 0.2
					ANGULAR ± 5°

For and on behalf of
XKB INDUSTRIAL PRECISION CO., LIMITED
 香港星坤工業精密有限公司

DSND	DATE	SCALE: N/A	MODEL TYPE: X2564T-XSN
DWN	DATE <td>VIEW: </td> <td>PART NO.:</td>	VIEW:	PART NO.:
CHKD	DATE <td>UNIT: mm</td> <td>DWG NO.:</td>	UNIT: mm	DWG NO.:
APPD	DATE <td>SIZE: A4</td> <td></td>	SIZE: A4	

REVISION	SHEET	WEIGHT
A0	1/1	1.0g

PART NO	Material	Wire Range	Insulation O.D.	Finish	Suitable XKB Terminal
X2564T-PSN	Phosphor Bronze	AWG#22-28	1.90mm(Max)	Stamping Before Plating: 30u" Ni, 70u" Sn	X2564H
X2564T-BSN	Brass				
X2564T-BSNB	Brass			Plating Before Stamping: 10u" Ni, 40u" Sn	



- Specifications :**
- Voltage rating: 250V AC / DC
 - Current rating: 3A AC / DC
 - Withstanding voltage: 1000V AC/minute
 - Temperature range: -25°C~+85°C
 - Insulation resistance: ≥1000MΩ
 - Contact resistance: ≤20mΩ
 - After environmental testing: ≤30mΩ
- ① Series No. X2564 T X-X SN X-X
- ② Category : T-Terminal
- ③ Appearance type: Blank-Ordinary
- ④ Material: P-Phosphor bronze ; B-Brass
- ⑤ Plating Style: SN-Bright Tin Plating
- ⑥ Plating Method : Blank-Stamping before Plating
- ⑦ B-Plating before stamping
- ⑧ Mold No./Mark/Special No.

For and on behalf of
XKB INDUSTRIAL PRECISION CO., LIMITED
 香港星坤工業精密有限公司

Unauthorized Signature(s)

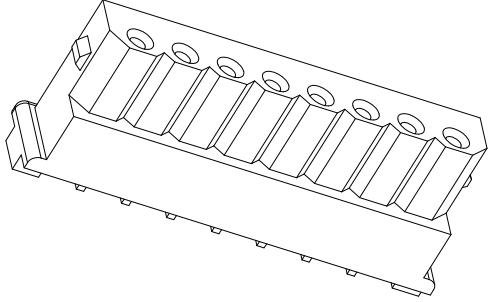
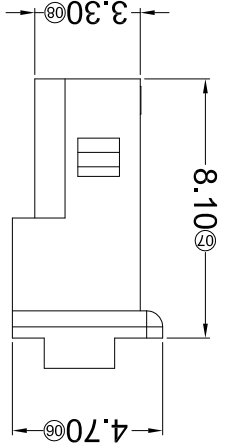
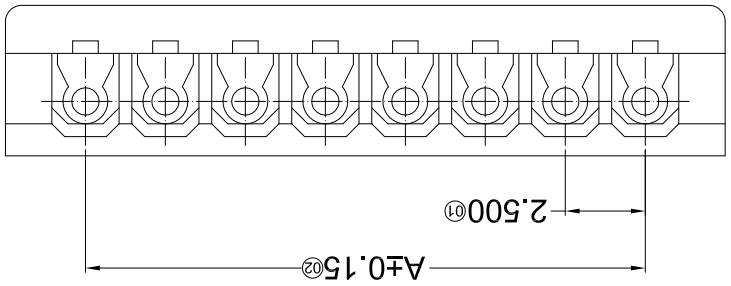
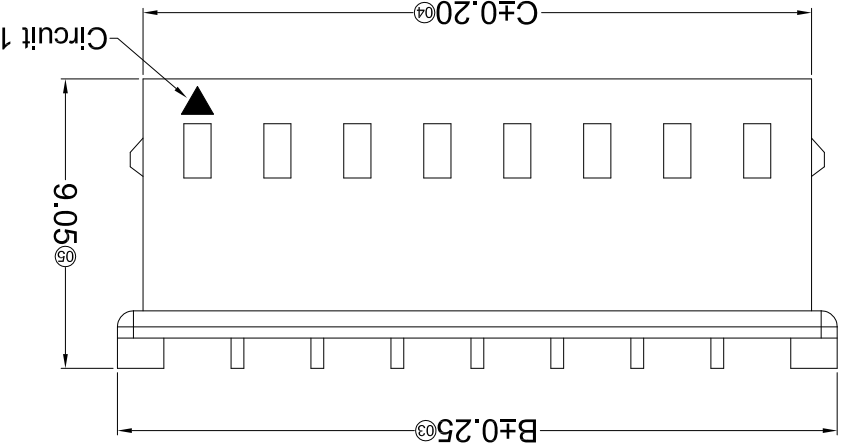
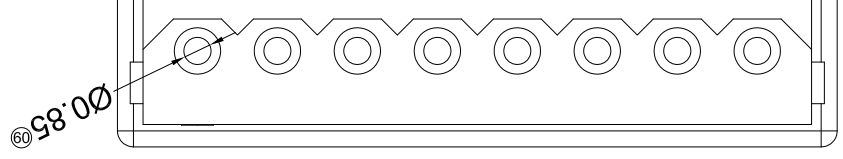
MARK	DESCRIPTION	DATE	REVISIONS	UNSPECIFIED TOLERANCES
△ X				±0.5
△ X				L > 63
△ X				16 < L ≤ 63
				±0.4
				4 < L ≤ 16
				±0.2
				L ≤ 4
				ANGULAR ±5°

REVISION	SHEET	WEIGHT	DATE	DATE	DATE	DATE	DATE	DATE
A0	1/1	1.0g						

APPD	CHKD	DWN	DSND

SIZE: A4	UNIT: mm	VIEW:	SCALE: N/A

PART NO.:	MODEL TYPE:
2.50mm Crimp Style Connectors	X2564H-XX-N0XX



Poles	Dimensions (mm)		
	A	B	C
02	2.50	7.50	5.90
03	5.00	10.00	8.40
04	7.50	12.50	10.90
05	10.00	15.00	13.40
06	12.50	17.50	15.90
07	15.00	20.00	18.40
08	17.50	22.50	20.90
09	20.00	25.00	23.40

- ① Series No.
- ② Category: H-HSG
- ③ Apparance type: Blank-Ordinary
- ④ Row No.-Pin No.: XX-02P~16P
- ⑤ Plug the Pin & special No.: Blank-Ordinary
- ⑥ Material: N0-PA66 94V-0
- ⑦ HF-Halogen Free

- Specifications :
- Voltage rating: 250V AC / DC
 - Current rating: 3A AC / DC
 - Withstanding voltage: 1000V AC/minute
 - Temperature range: -25°C~+85°C
 - Insulation resistance: ≥1000MΩ
 - Contact resistance: ≤20mΩ
 - After environmental testing: ≤30mΩ

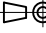
X2564 H X-XX X-N0 XX
 ① ② ③ ④ ⑤ ⑥ ⑦

PART NO	Material	Suitable XKB Terminal	Suitable XKB Terminal
X2564H-XX-N0HF	PA66 UL 94V-0 Halogen Free	X2564T	X2564W
X2564H-XX-N0	PA66 UL 94V-0		

For and on behalf of
XKB INDUSTRIAL PRECISION CO., LIMITED
 香港星坤工業精密有限公司

Authorized Signature(s)

MARK	DESCRIPTION	DATE	REVISED	APPROVED	UNSPECIFIED TOLERANCES	
					L > 63	L ≤ 63
△ X					±0.4	±0.5
△ X					4 < L ≤ 16	±0.3
△ X					L ≤ 4	±0.2
					ANGULAR	±5°

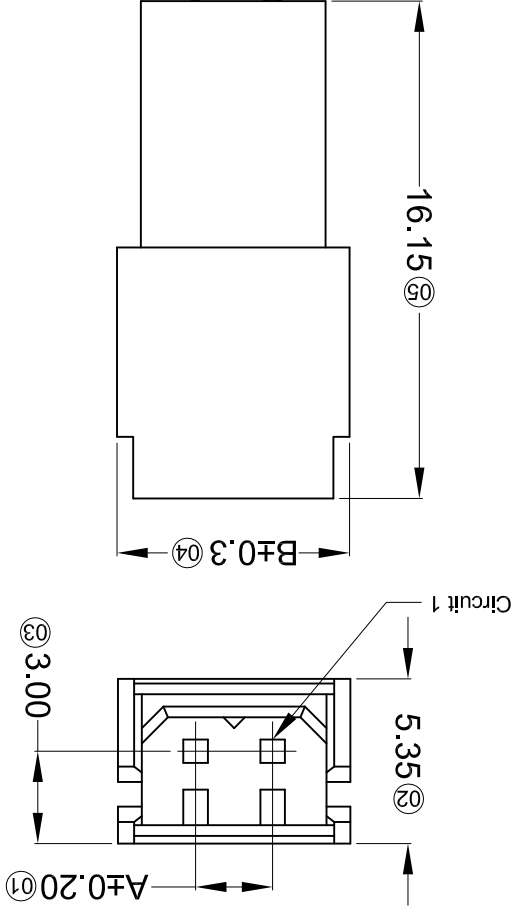
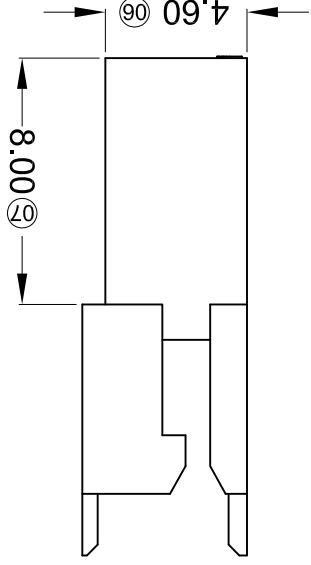
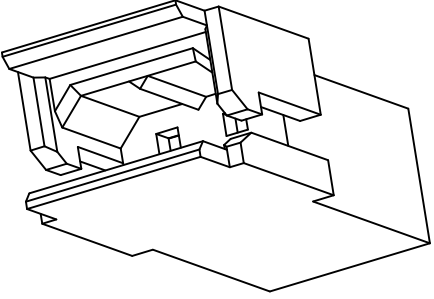
DWND	DATE	SCALE: N/A	VIEW: 	PART NO.:	7.50 mm Crimp Style Connectors	DWN	DATE	UNIT: mm	SIZE: A4	WEIGHT 1.0g	SHEET 1/1	REVISION A0	XKB INDUSTRIAL PRECISION CO., LIMITED	
													APPD	DATE
DNSD				X2564HF-XX-N0	MODEL TYPE: X2564HF-XX-N0	CHKD								

PART NO	Material	Suitable XKB Terminal	Suitable XKB Terminal
X2564HF-XX-N0	Nylon 66 UL 94V-0	X8821TM	X2564W

Poles	Dimensions(mm)		Dimensions(mm)															
	A	B	02	03	04	05	06	07	08	09	10	11	12	13	14	15	16	
	2.50	7.50	22.50	27.50	32.50	35.05	37.55	40.05	42.55	20.00	17.50	15.00	12.50	10.00	7.50	5.00	2.50	25.05

- Specifications :**
- ① Series No.
 - ② Category: H-HSC
 - ③ Appearance type: F : Female HSC
 - ④ Row No.-Pin No.: XX-Single Row
 - ⑤ Plug the Pin & Special No. Blank-Ordinary
 - ⑥ Material : N0-PA66 94V-0
 - ⑦ Color: Blank : Natural Color
 - HF:Halogen Free
- X2564 H F-XX X-N0 XX**
- ① ② ③ ④ ⑤ ⑥ ⑦

- Voltage rating: 250V AC / DC
- Current rating: 3A AC / DC
- Withstanding voltage: 1000V AC/minute
- Temperature range: -25°C~+85°C
- Insulation resistance: ≥1000MΩ
- Contact resistance: ≤20mΩ
- After environmental testing: ≤30mΩ



X-ON Electronics

Largest Supplier of Electrical and Electronic Components

Click to view similar products for [Headers & Wire Housings](#) category:

Click to view products by [XKB](#) manufacturer:

Other Similar products are found below :

[95000-104TRLF](#) [10135584-644402LF](#) [DF62W-EP2022PCA](#) [95000-106TRLF](#) [DF62W-2022SCA](#) [DF62W-EP2022PC](#) [2203348](#) [DF62W-2022SC](#) [1084018](#) [1029039](#) [1084017](#) [802-10-012-10-002000](#) [1112640](#) [1112639](#) [891-007-9SS-BST1T](#) [000-34000](#) [0008550134](#) [0009482033](#) [0009507031](#) [57102-F02-18ULF](#) [57102-S06-03LF](#) [57202-S52-04LF](#) [PCN6-15S-2.5E](#) [0039019024](#) [58102-G61-06LF](#) [582553-1](#) [0009485154](#) [0009508121](#) [0022285053](#) [0050291907](#) [018731A](#) [LY20-4P-DT1-P1E-BR](#) [02.125.8002.8](#) [60101931](#) [60598-1 \(Cut Strip\)](#) [M1625-3R/100](#) [61062-3](#) [61082-181009](#) [CSU011177004](#) [636-1427](#) [638009-1](#) [641938-9](#) [641991-4](#) [644168-1](#) [644827-2](#) [647662-1](#) [65039-019ELF](#) [65692-001LF](#) [65781-018](#) [65781-047](#)