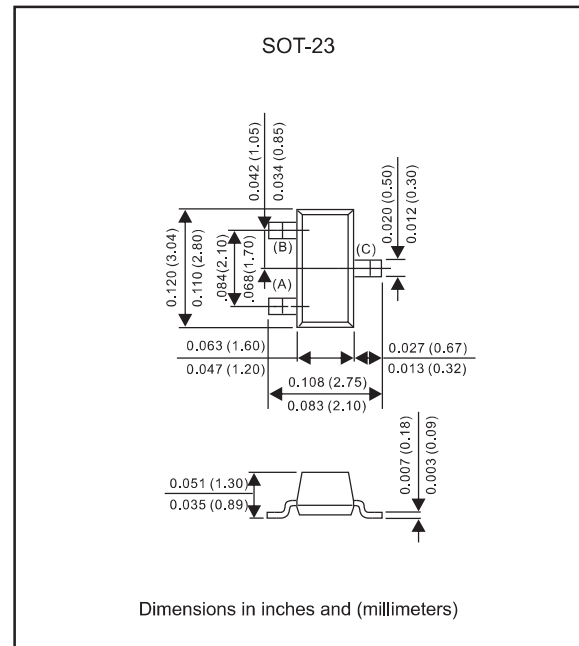


MMBD4148/CA/CC/SE**350mW Surface Mount Switching Diode-100V****Features**

- Fast switching speed
- For general purpose switching applications
- High conductance
- Lead-free parts meet RoHS requirements
- Suffix "-H" indicates Halogen-free part, ex. MMBD4148-H

Mechanical data

- Epoxy:UL94-V0 rated flame retardant
- Case : Molded plastic, SOT-23
- Terminals : Solder plated, solderable per MIL-STD-750, Method 2026
- Mounting Position : Any

Package Outline**Maximum ratings** (AT $T_A=25^\circ\text{C}$ unless otherwise noted)

PARAMETER	Symbol	Limit	UNIT
Non-Repetitive Peak Reverse Voltage	V_{RM}	100	V
Peak Repetitive Peak Reverse Voltage	V_{RRM}	75	V
Working Peak Reverse Voltage	V_{RWM}		
DC Blocking Voltage	V_R		
RMS Reverse Voltage	$V_{R(RMS)}$	53	mA
Forward continuous current	I_{FM}	300	mA
Average rectified output current (note 1)	I_O	150	mA
Non-repetitive peak forward surge current 8.3ms	I_{FSM}	2.0	A
Power dissipation (note 1)	P_D	350	mW
Thermal resistance junction to ambient (note 1)	$R_{\theta JA}$	357	$^\circ\text{C/W}$
Operating junction temperature range	T_J	-55 to +150	$^\circ\text{C}$
Storage temperature range	T_{STG}	-55 to +150	$^\circ\text{C}$

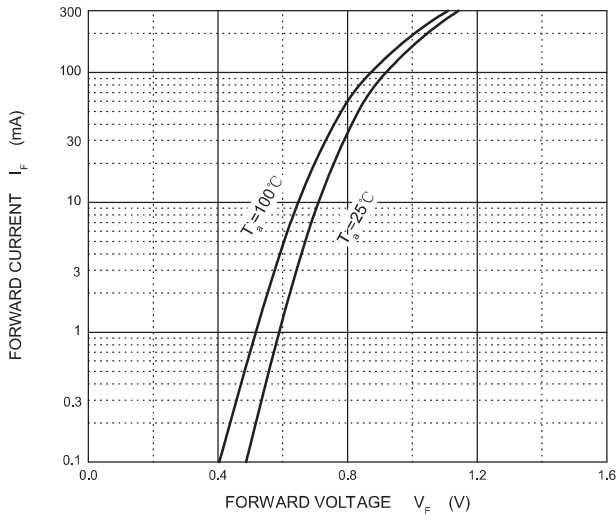
Electrical characteristics (AT $T_A=25^\circ\text{C}$ unless otherwise noted)

PARAMETER	CONDITION	Symbol	MIN.	TYP.	MAX.	UNIT
Reverse breakdown voltage	$I_R = 100\mu\text{A}$	$V_{(BR)R}$	75			V
Forward voltage	$I_F = 1\text{ mA}$ $I_F = 10\text{ mA}$ $I_F = 50\text{ mA}$ $I_F = 150\text{ mA}$	V_F			0.715 0.855 1.000 1.250	V
Reverse leakage current	$V_R = 20\text{V}, T_J = 25^\circ\text{C}$ $V_R = 75\text{V}, T_J = 25^\circ\text{C}$	I_R			25 2.5	nA μA
Capacitance between terminals	$V_R = 0, f = 1\text{MHz}$	C_T			2.0	pF
Reverse recovery time	$I_F = I_R = 10\text{mA}$ $I_{rr} = 0.1 I_R, R_L = 100\Omega$	t_{rr}			4.0	ns

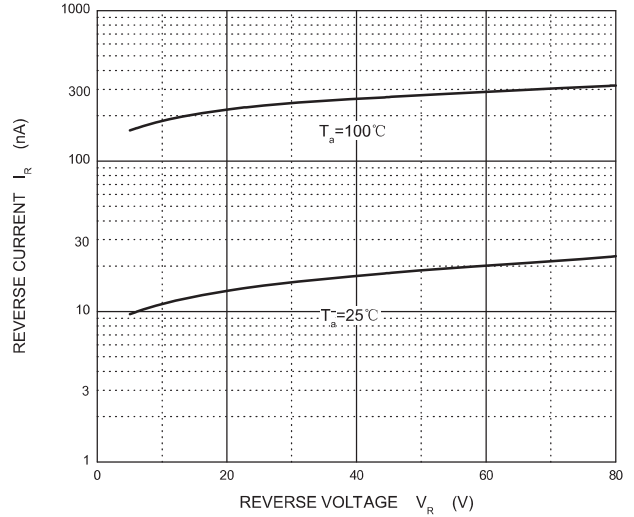
Note 1: Valid provided that electrodes are kept at ambient temperature.

Rating and characteristic curves (MMBD4148/CA/CC/SE)

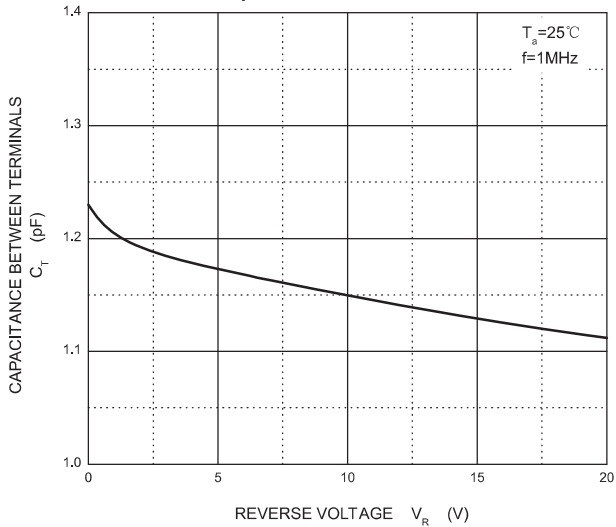
Forward Characteristics



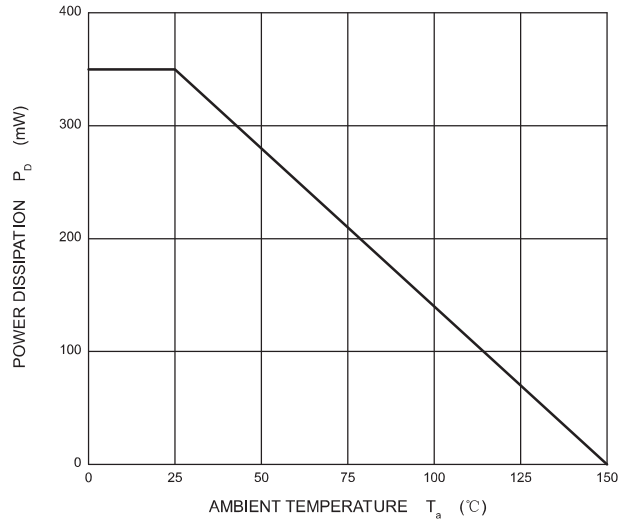
Reverse Characteristics



Capacitance Characteristics

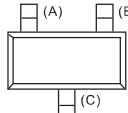
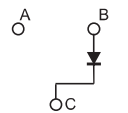
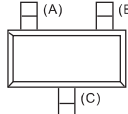
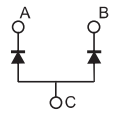
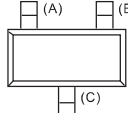
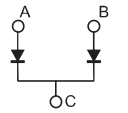
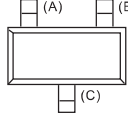
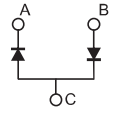


Power Derating Curve

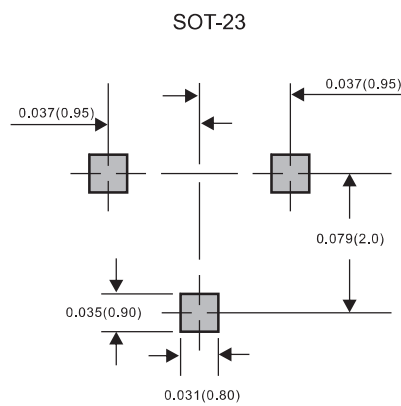


MMBD4148/CA/CC/SE

Pinning information

Type number	Marking code	Simplified outline	Symbol
MMBD4148	A6/KA2		
MMBD4148CA	D6		
MMBD4148CC	D5/KD5		
MMBD4148SE	D4		

Suggested solder pad layout



Dimensions in inches and (millimeters)

Reel packing

PACKAGE	REEL SIZE	REEL (pcs)	COMPONENT SPACING (m/m)	BOX (pcs)	INNER BOX (m/m)	REEL DIA. (m/m)	CARTON SIZE (m/m)	CARTON (pcs)	APPROX. GROSS WEIGHT (kg)
SOT-23	7"	3,000	4.0	30,000	183*123*183	178	382*257*387	240,000	11.6

X-ON Electronics

Largest Supplier of Electrical and Electronic Components

Click to view similar products for [Diodes - General Purpose, Power, Switching category](#):

Click to view products by [AnBon manufacturer](#):

Other Similar products are found below :

[MCL4151-TR3](#) [MMBD3004S-13-F](#) [RD0306T-H](#) [RD0506LS-SB-1H](#) [RGP30G-E373](#) [DSE010-TR-E](#) [BAQ333-TR](#) [BAQ335-TR](#) [BAQ33-GS18](#) [BAS1602VH6327XT](#) [BAV17-TR](#) [BAV19-TR](#) [BAV301-TR](#) [BAW27-TAP](#) [HSC285TRF-E](#) [NSVBAV23CLT1G](#) [NTE525](#) [1SS181-TP](#) [1SS184-TP](#) [1SS193,LF](#) [1SS193-TP](#) [1SS400CST2RA](#) [SBAV99LT3G](#) [SDAA13](#) [LL4448-GS18](#) [SHN2D02FUTW1T1G](#) [LS4150GS18](#) [LS4151GS08](#) [SMMD7000LT3G](#) [FC903-TR-E](#) [1N4449](#) [1N4934-E3/73](#) [1SS226-TP](#) [APT100DL60HJ](#) [RFUH20TB3S](#) [RGP30G-E354](#) [RGP30M-E3/73](#) [D291S45T](#) [MCL4151-TR](#) [BAS 16-02V H6327](#) [BAS 21U E6327](#) [BAS 28 E6327](#) [BAS33-TAP](#) [BAS 70-02V H6327](#) [BAV300-TR](#) [BAV303-TR3](#) [BAW27-TR](#) [BAW56DWQ-7-F](#) [BAW56M3T5G](#) [BAW75-TAP](#)