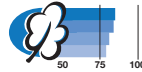
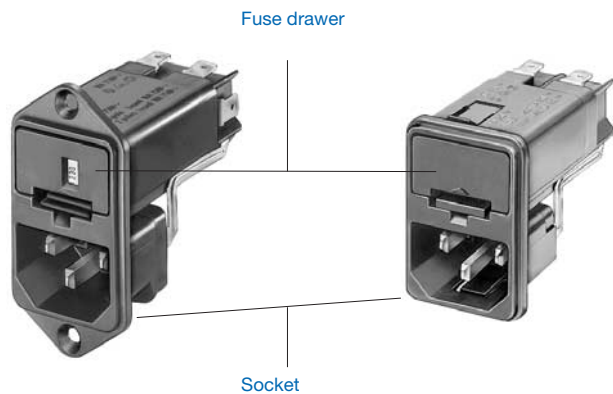



Power entry module Type KEC

- Panel mount: screw-on version, front or rear-side / snap-in version, front-side
- 3 functions: appliance inlet, fuseholder with interchangeable fuse drawer for 5 x 20 or 6,3 x 32 mm fuses, with or without voltage selector (step switch)
- Version with line filter/shield see page 110


Characteristics

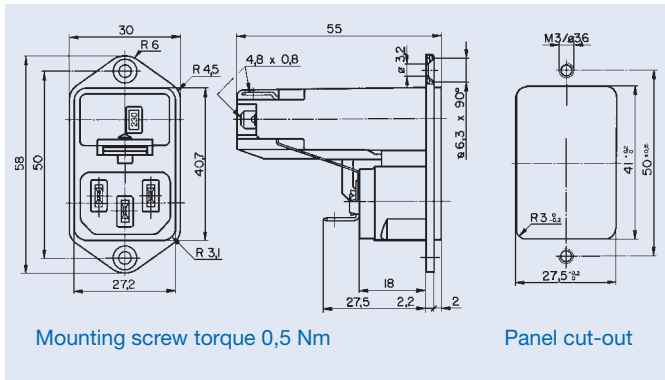
- Versions available with or without internal connections
- The fuse drawer “Fingerrip” can be removed by hand
- For added safety “Extra-Safe” fuse drawers are available
Extra-safe fuse drawers satisfy international standards for medical equipment. The drawer can only be removed with the aid of a tool
- The fuseholder is accessible from the equipment front
- Qualified for use in equipment according to IEC/EN 60950

Technical data

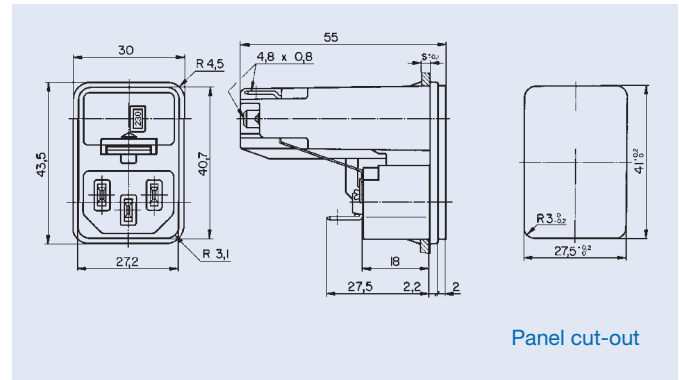
| | |
|---|---|
| Rated voltage | 250 VAC |
| Rated currents | 10 A; VDE, SEV, Semko 13 A; UL 16 A; CSA 1-pole 10 A; CSA 2-pole |
| Dielectric strength (50 Hz, 1 Min.) | > 3 kV between L-N > 4 kV between L/N-PE |
| Allowable ambient air temperatures T _a | –25 °C to + 70 °C |
| Degree of protection (front side) | IP40 acc. to IEC 60529 |
| Protection class | suitable for equipment with prot. cl. I, acc. to IEC 61140 |
| Terminals | quick-connect 4,8 x 0,8 mm/tin-plated |
| Panel thickness s | screw-on: max. 8 mm snap-in: 1,5/2/2,5 mm |
| Materials: Housing | Thermoplastic, black, UL94 V-0 |
| Appliance-inlet |  acc. to IEC/EN 60320-1/C14, protection class I, pin-temperature 70 °C (cold condition) |
| Fuseholder | 1- or 2-pole, shocksafe category PC2 acc. to IEC/EN 60127-6, for fuse-links 5 x 20 or 6,3 x 32 mm |
| Rated power acceptance at ambient air temp. T _a 23 °C | 5 x 20: 2,5 W (1-pole)/2 W (2-pole) per p. 6,3 x 32: 3,15 W (1-pole)/2,5 W (2-pole) per pole |
| Admissible power acceptance at higher T _a | see derating curves. Take note of the information on page 195 |
| Voltage selector | optional, step switch, 2–4 positions |

Dimensions

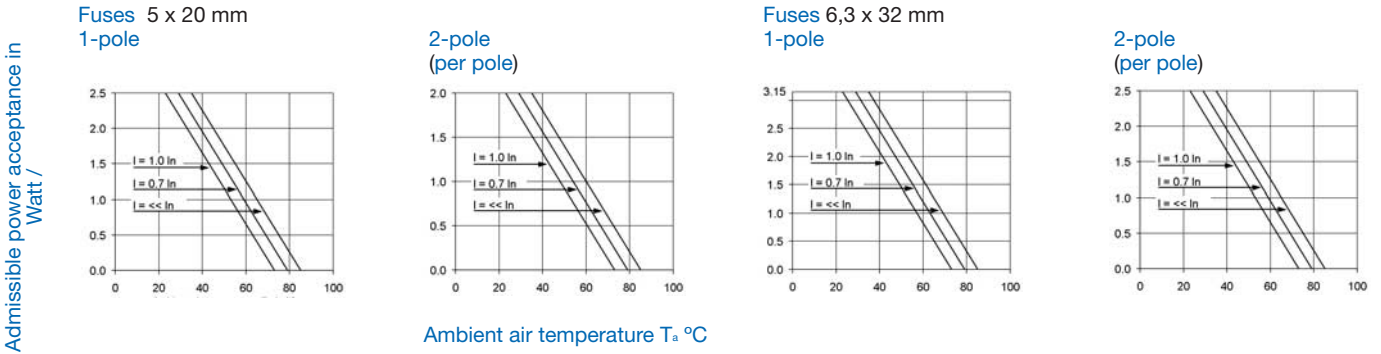
Screw-on mounting



Snap-in mounting



Derating curves for fuseholder



Diagramme

| | without internal connections voltage selector 4 positions | with internal connections voltage selector 4 positions | Voltage selector 3 positions | Voltage selector 2 positions | without voltage selector |
|--------|---|--|---------------------------------|---------------------------------|-----------------------------|
| 1-pole | | | | | |
| 2-pole | | | | | |

Order Numbers for socket

Fuse drawer must be ordered separately

| Fuseholder | | Voltage selector | | | | internal connections | | Screw | Snap-in, panel thickness s | | |
|------------|-----------|------------------|---------|---------|---------|----------------------|---------|-------|----------------------------|--------|--------|
| 1-pole | 2-pole | without | 2 digit | 3 digit | 4 digit | with | without | | 1,5 mm | 2,0 mm | 2,5 mm |
| 4303.0031 | 4303.0001 | • | | | | • | | • | | | |
| 4303.0032 | 4303.0002 | • | | | | • | | | • | | |
| 4303.0033 | 4303.0003 | • | | | | • | | | | • | |
| 4303.0034 | 4303.0004 | • | | | | • | | | | | • |
| 4303.0211 | 4303.0181 | | • | | | • | | • | | | |
| 4303.0212 | 4303.0182 | | • | | | • | | | • | | |
| 4303.0213 | 4303.0183 | | • | | | • | | | | • | |
| 4303.0214 | 4303.0184 | | • | | | • | | | | | • |
| 4303.0091 | 4303.0061 | | | • | • | • | | • | | | |
| 4303.0092 | 4303.0062 | | | • | • | • | | | • | | |
| 4303.0093 | 4303.0063 | | | • | • | • | | | | • | |
| 4303.0094 | 4303.0064 | | | • | • | • | | | | | • |
| 4303.1031 | 4303.1001 | • | | | | | • | • | | | |
| 4303.1032 | 4303.1002 | • | | | | | • | | • | | |
| 4303.1033 | 4303.1003 | • | | | | | • | | | • | |
| 4303.1034 | 4303.1004 | • | | | | | • | | | | • |
| 4303.1091 | 4303.1061 | | | • | • | | • | • | | | |
| 4303.1092 | 4303.1062 | | | • | • | | • | | • | | |
| 4303.1093 | 4303.1063 | | | • | • | | • | | | • | |
| 4303.1094 | 4303.1064 | | | • | • | | • | | | | • |
| 4303.1211 | 4303.1181 | | • | | | | • | • | | | |
| 4303.1212 | 4303.1182 | | • | | | | • | | • | | |
| 4303.1213 | 4303.1183 | | • | | | | • | | | • | |
| 4303.1214 | 4303.1184 | | • | | | | • | | | | • |

Order Numbers for fuse drawer (Fingergrip and Extra-Safe)
 (to types KEC, KFC, KD, CD)

| Voltage markings Terminal no. | Type | 5 x 20 mm | | 2-pole with shorting bar in the neutral side | 6,3 x 32 mm (1/4" x 1/4") | | 2-pole with shorting bar in the neutral side |
|----------------------------------|------------|--------------|--------------|--|---------------------------|--------------|--|
| | | 1-pole | 2-pole | | 1-pole | 2-pole | |
| 1 2 3 4 KEC 3 4 5 6 KD | | | | | | | |
| «XX» see table below | Fingergrip | 4303.2114.XX | 4303.2014.XX | 4303.2036.XX | 4303.2614.XX | 4303.2514.XX | 4303.2536.XX |
| | Extra-Safe | 4303.2124.XX | 4303.2024.XX | 4303.2037.XX | 4303.2624.XX | 4303.2524.XX | 4303.2537.XX |
| without voltage selector | Fingergrip | 4303.2406 | 4303.2401 | 4303.2411 | 4303.2906 | 4303.2901 | 4303.2911 |
| | Extra-Safe | 4303.2408 | 4303.2403 | 4303.2413 | 4303.2908 | 4303.2903 | 4303.2913 |

| Index | Voltage markings / terminal no. | | | | KEC KD |
|-------|---------------------------------|-----|-------|-----|-----------|
| | 1 | 2 | 3 | 4 | |
| XX | 3 | 4 | 5 | 6 | |
| 00 | – | – | – | – | |
| 01 | 100 | 120 | 220 | 240 | |
| 02 | 110 | 150 | 220 | – | |
| 03 | 110 | – | 220 | – | |
| 04 | 110 | 220 | 240 | – | |
| 05 | 115 | – | 230 | – | |
| 06 | 117 | 220 | 240 | – | |
| 07 | 100 | 117 | 220 | – | |
| 08 | 110 V | – | 220 V | – | |
| 09 | 220 | – | 240 | – | |
| 10 | 115 | 220 | 240 | – | |
| 11 | 110 | 120 | 220 | 240 | |

| Index | Voltage markings / terminal no. | | | | KEC KD |
|-------|---------------------------------|-----|-----|-----|-----------|
| | 1 | 2 | 3 | 4 | |
| XX | 3 | 4 | 5 | 6 | |
| 12 | 115 | 230 | 240 | – | |
| 13 | 100 | 110 | 220 | 240 | |
| 14 | 100 | 117 | 220 | 240 | |
| 15 | 100 | 115 | 230 | – | |
| 16 | 100 | 120 | 230 | 240 | |
| 17 | 115 | 120 | 230 | 240 | |
| 18 | 115 | – | 240 | – | |
| 19 | 220 | 120 | 240 | 230 | |
| 20 | 100 | 120 | 230 | – | |
| 21 | 100 | – | 220 | – | |
| 22 | 100 | 120 | 220 | 230 | |
| 23 | 100 | 110 | 120 | – | |

Other versions on request:

- for protection class II
- Fuse drawer with other voltage values

Accessories see page 171

X-ON Electronics

Largest Supplier of Electrical and Electronic Components

Click to view similar products for [AC Power Entry Modules](#) category:

Click to view products by [Schurter](#) manufacturer:

Other Similar products are found below :

[0098.0050](#) [6-1609987-9](#) [6167.0002](#) [7-6609955-2](#) [FN389-4-22](#) [FN9233ER-12-06](#) [FN9233S1-10-06](#) [FN9233S1-8-06](#) [FN9233S1B-8-06](#)
[FN9233S1R-1-06](#) [FN9233S1R-12-06](#) [FN9233SB-1-06](#) [FN9233SB-12-06](#) [FN9233SB-8-06](#) [FN9233SR-10-06](#) [FN9233SR-3-06](#) [FN9244B-15-06](#)
[HI](#) [FN9244EB-3-06](#) [FN9244EB-8-06](#) [FN9244ER-15-06](#) [FN9244ER-8-06](#) [FN9244ES1-8-06](#) [FN9244ESB-8-06](#) [FN9244EU-6-06](#)
[FN9244R-12-06](#) [FN9244R-3-07](#) [FN9244R-8-06](#) [FN9244S1-10-06](#) [FN9244S1-12-06](#) [FN9244S1-3-06](#) [FN9244S1B-6-06](#) [FN9244S1R-3-06](#)
[FN9244S-6-06](#) [FN9244SB-10-06](#) [FN9244SB-6-06](#) [FN9244SB-8-06](#) [FN9244SR-10-06](#) [FN9244SR-6-06](#) [FN9244U-3-06](#) [FN9244U-8-06](#)
[FN9260A-6-06](#) [PE00SSSXB](#) [Fuse-H-EUR-1](#) [Fuse-H-USA-1](#) [PM00XD000](#) [PS0SSDBX0](#) [PS0SXSH3B](#) [A-0701-HT-H](#) [RAPC3FG](#) [15EJMS8](#)