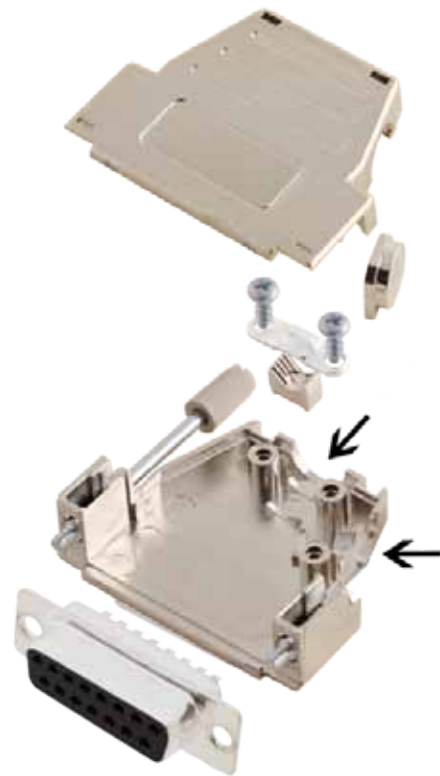




**NEW**

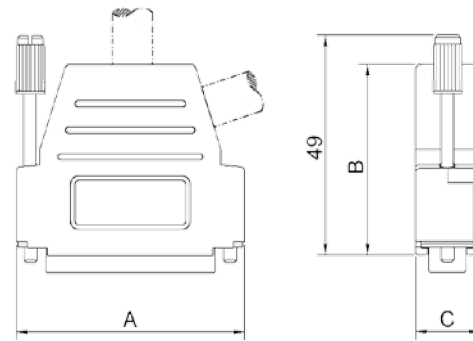


**TECHNICAL SPECIFICATIONS**
**D-Sub Hood:**

Material:	Zinc, Nickel Plated
Operating Temperature:	-45°C to + 105°C
Cable Entry:	Top Entry
Thumbscrews:	UNC 4-40 (Standard)
Cable O.D:	9-Way: Up to 9,5mm 15-Way: Up to 9,5mm 25-Way: Up to 9,5mm 37-Way: Up to 12mm

**Features:**

- Available in sizes 9-15-25-37
- Excellent EMI Shielding
- Re-openable
- Spring-Clip mounted Jackscrews

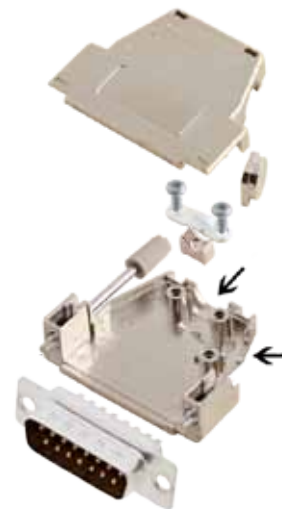


D-Sub-Hood

Size DSSK-P	Dim A	Dim B	Dim C
9-way	31,5	40,0	15,0
15-way	40,0	40,0	15,0
25-way	53,5	43,0	15,0

**Male D-Sub Solder Cup:**

Insulator:	PBT, Black, UL94 V-0
Shell:	Steel, Tin Plated
Contact pins:	Copper Alloy
Stamped & Formed Pins	Class 3, 100 inserts min.
Machined Contact Pins:	Class 1, 500 inserts min.
Contact Plating:	Selective Gold over Nickel
Operating Temperature:	-55°C to +105°C
Withstanding voltage:	1000V for 1 minute
Insulator resistance:	1000MΩ min.


**Ordering information:**
**Class 3 Sub-D Connector Kits (100 inserts min.)**

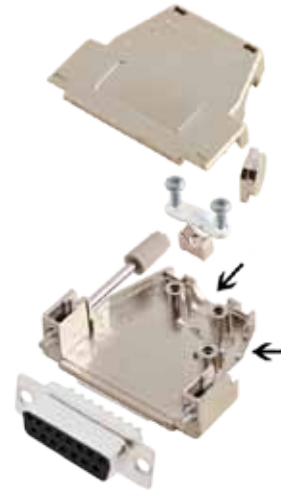
Size:	P/N - Kitted:	Product Code - MALE Conn. Kit
9-way	6355-0084-01	DSSK09-M-DBP-K
15-way	6355-0084-02	DSSK15-M-DBP-K
25-way	6355-0084-03	DSSK25-M-DBP-K

**Ordering information:**
**Class 1 Sub-D Connector Kits (500 inserts min.)**

Size:	P/N - Kitted:	Product Code - MALE Conn. Kit
9-way	6355-0084-21	DSSK09-M-DMP-K
15-way	6355-0084-22	DSSK15-M-DMP-K
25-way	6355-0084-23	DSSK25-M-DMP-K

**Female D-Sub Solder Cup:**

Insulator:	PBT, Black, UL94 V-0
Shell:	Steel, Tin Plated
Contact pins:	Copper Alloy
Stamped & Formed Pins	Class 3, 100 inserts min.
Machined Contact Pins:	Class 1, 500 inserts min.
Contact Plating:	Selective Gold over Nickel
Operating Temperature:	-55°C to +105°C
Withstanding voltage:	1000V for 1 minute
Insulator resistance:	1000MΩ min.


**Ordering information:**
**Class 3 Sub-D Connector Kits (100 inserts min.)**

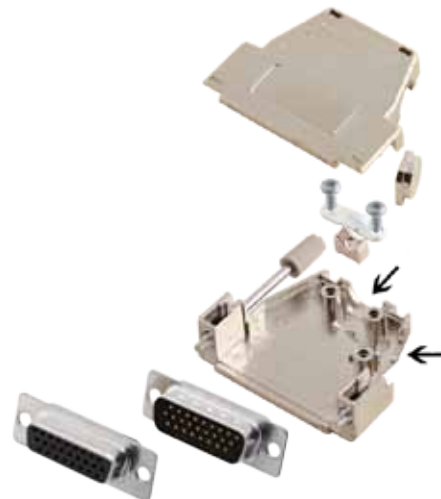
Size:	P/N - Kitted:	Product Code - FEMALE Conn. Kit
9-way	6355-0084-11	DSSK09-M-DBS-K
15-way	6355-0084-12	DSSK15-M-DBS-K
25-way	6355-0084-13	DSSK25-M-DBS-K

**Ordering information:**
**Class 1 Sub-D Connector Kits (500 inserts min.)**

Size:	P/N - Kitted:	Product Code - FEMALE Conn. Kit
9-way	6355-0084-31	DSSK09-M-DMS-K
15-way	6355-0084-32	DSSK15-M-DMS-K
25-way	6355-0084-33	DSSK25-M-DMS-K

**D-Sub High Density:**

Insulator:	PBT, Black, UL94 V-0
Shell:	Stamped Steel, Tin Plated
Contact pins:	Copper Alloy
Stamped & Formed pins:	100 inserts min
Contacts Plating:	Selective Gold over Nickel
Operating Temperature:	-55°C to +105°C
Withstanding voltage:	500V for 1 minute
Insulator resistance:	500MΩ min


**Ordering information:**
**D-Sub Connector Kits (100 inserts min.)**

Size:	P/N - Kitted:	Product Code - MALE Conn. Kit
9-way	6355-0085-01	DSSK09-M-HDP15-K
15-way	6355-0085-02	DSSK15-M-HDP36-K
25-way	6355-0085-03	DSSK25-M-HDP44-K

Size:	P/N - Kitted:	Product Code - FEMALE Conn. Kit
9-way	6355-0085-11	DSSK09-M-HDS15-K
15-way	6355-0085-12	DSSK15-M-HDS36-K
25-way	6355-0085-13	DSSK25-M-HDS44-K



Encitech Connectors AB  
Rörkullsvägen 4  
SE-302 41 HALMSTAD  
Sweden

Tel: +46-35-15 13 90  
Fax: +46-35-15 13 99  
e-mail: [connectors@encitech.com](mailto:connectors@encitech.com)  
web: [www.encitech.com](http://www.encitech.com)

[www.encitech.com](http://www.encitech.com)

## X-ON Electronics

Largest Supplier of Electrical and Electronic Components

*Click to view similar products for [D-Sub Standard Connectors](#) category:*

*Click to view products by [Encitech](#) manufacturer:*

Other Similar products are found below :

[DCM37S732N](#) [DAM15P500](#) [DEV09S364GTLF](#) [DEM09P032N](#) [DDM50P732N](#) [DAM15S332N](#) [173109-2218](#) [173109-2466](#) [173109-2436](#)  
[173109-2435](#) [56F706-005-LI](#) [56F711-015](#) [015-0341-000](#) [015-0372-008](#) [015-8544-011](#) [017041-0005](#) [020419-0104](#) [012-0515-000](#) [012-9507-](#)  
[034](#) [012-9507-114](#) [012-9534-001](#) [020745-0008](#) [609-25P](#) [M24308/2-23Z](#) [M243082310F](#) [M243082410F](#) [M243082411F](#) [M24308/4-21](#)  
[CT1A18-11PSA206](#) [CT1N36-5SC](#) [CT2-16S-17PS](#) [CT2-20-15PCAU](#) [CT2-24-12PS](#) [CT2-24-28PSF127A206](#) [CT2-32-9PC](#) [CT6F9767-14-4-](#)  
[14S-5PC](#) [CT6FA10SL-4PS](#) [CT7-18-10SC](#) [CT7-18-10SCAU](#) [CT7-18-12SCAU](#) [CT7-18-1PC](#) [CT7-18-1PCAU](#) [CT7-18-21SCAU](#) [M83513/01-](#)  
[FC](#) [M83723/76W24619 L/C](#) [M85049/48-3-2F](#) [69001-865](#) [6STD09PCM99B70X](#) [6STD09SCM99B30X](#) [6STD09SCT99S40X](#)