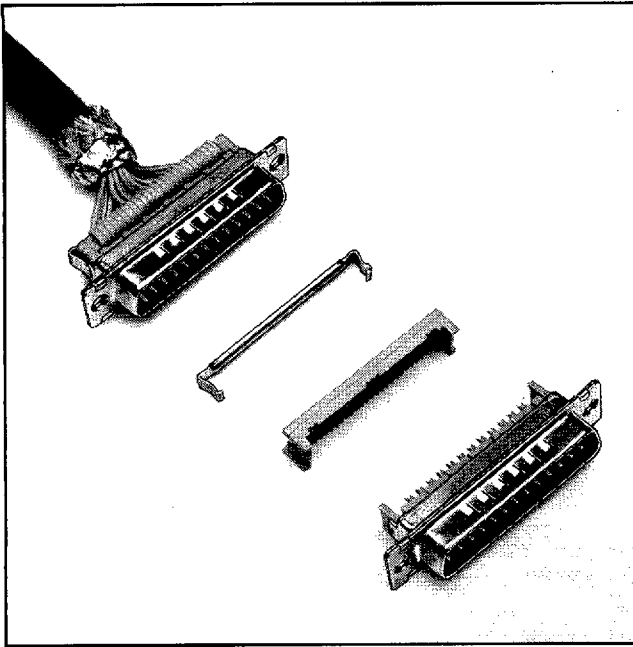


D Sub

Plug Connector

8200 Series



- Available in either pre-assembled or two piece covers
- Available in either open or closed end cover
- Available with dimples to aid in EMI/ESD protection
- Improved metal strain relief hooks directly to metal shell
- Low profile
- Four mounting options

TS-0234-11
Sheet 1 of 3

122

Physical

Insulation

Material: Glass Filled Polyester (PBT)
Flammability: UL 94V-0
Color: Gray

Contact

Material: Beryllium Copper
Plating
Underplate: 50 μ " (1.27 μ m) Nickel — QQ-N-290, Class 2
Wiping Area: 30 μ " (0.76 μ m) Gold — MIL-G-45204, Type II, Grade C

Shell

Material: Steel
Plating: 197-394 μ " (5-10 μ m) 90/10 Tin Lead Over Copper

Strain Relief Material: Stainless Steel .016 (0.40) Thick

Wire Accommodation: 26 & 28 AWG Solid or Stranded

Marking: 3M Logo & Contact Position Numbers

Electrical

Current Rating: 1 A
Insulation Resistance: $> 1 \times 10^9 \Omega$ at 500 VDC
Withstanding Voltage: 1000 Vrms at Sea Level

Environmental

Temperature Rating: -55° to $+105^\circ$

UL File No.: E68080

CSA File No.: LR 40971

3M Electronic Products Division

6801 River Place Blvd.
Austin, TX 78726-9000

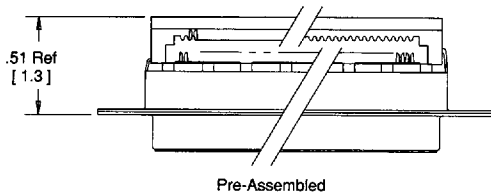
9005413 0000337 924

D Sub Plug Connector

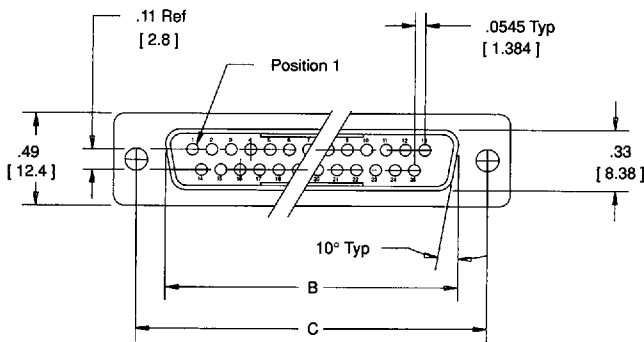
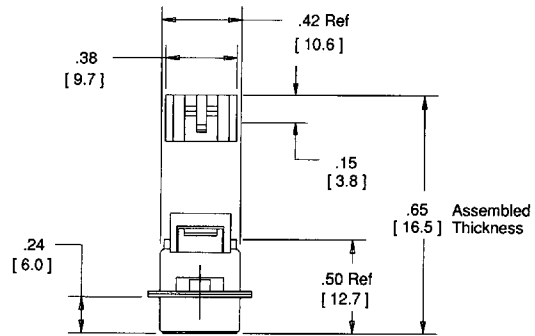
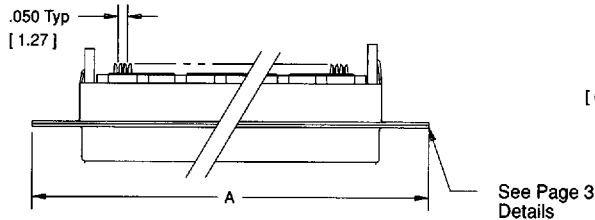
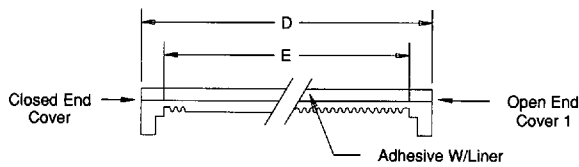
8200 Series

Sheet 2 of 3

| Contact Quantity | Dim A | Dim B | Dim C | Dim D | Dim E | Dim F |
|------------------|-------------|-------------|-------------|-------------|-------------|-------------|
| 09 | 1.21 [30.7] | .67 [17.0] | .98 [25.0] | .66 [16.7] | .49 [12.5] | .70 [17.8] |
| 15 | 1.54 [39.1] | 1.00 [25.4] | 1.31 [33.3] | .99 [25.2] | .79 [20.1] | 1.03 [26.1] |
| 25 | 2.09 [53.1] | 1.54 [39.1] | 1.85 [47.0] | 1.53 [39.0] | 1.29 [32.8] | 1.57 [39.8] |
| 37 | 2.73 [69.3] | 2.18 [55.4] | 2.50 [63.5] | 2.18 [55.4] | 1.89 [48.0] | 2.22 [58.3] |



Note: Preassembled closed cover on Pin 1 side of connector.



Inch
[mm]

| Tolerance Unless Noted | | | |
|------------------------|-----|------|-------|
| | .0 | .00 | .000 |
| Inch | ±.1 | ±.01 | ±.005 |

[] Dimensions for Reference Only

TS-0234-11

Ordering Information

Connector
82XX-X0XX

Strain Relief
3448-8DXXA

Contact Quantity

Cover Style:

- 6 = Open Cover
- 7 = Closed Cover
- 8 = Open Cover, W/O Adhesive, Preassembled
- 9 = Closed Cover, W/O Adhesive, Preassembled

Strain Relief Option:

- 0 = Tin Lead, Dimples, W/O Strain Relief
- 6 = Tin Lead, Dimples, with Strain Relief

Mounting Style:

- 0 = Standard
- 3 = English
- 4 = Metric

- 09 = 9 Position
- 15 = 15 Position
- 25 = 25 Position
- 37 = 37 Position

3M Electronic Products Division

6801 River Place Blvd.
Austin, TX 78726-9000

9005413 0000338 860

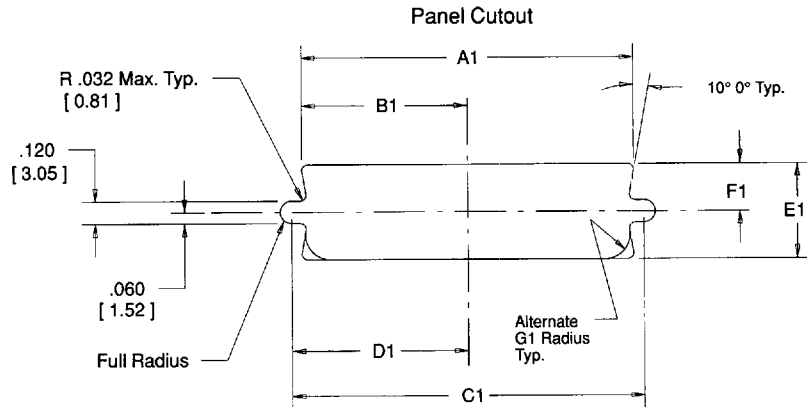
D Sub Plug Connector

8200 Series

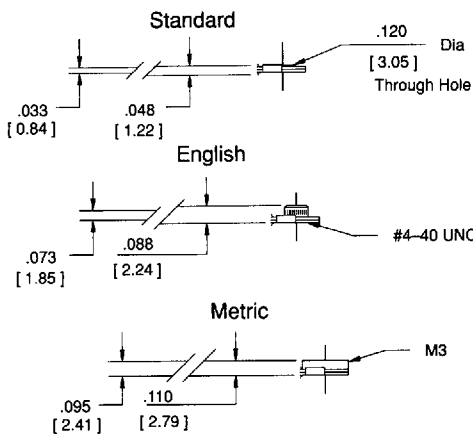
Sheet 3 of 3

| Mounting Method* | Contact Quantity | Dim A1 | Dim B1 | Dim C1 | Dim D1 | Dim E1 | Dim F1 | Dim G1 |
|------------------|------------------|------------------|------------------|------------------|------------------|-----------------|----------------|----------------|
| Front | 9 | .874 [22.20] | .437 [11.10] | .984 [24.99] | .492 [12.50] | .513 [13.03] | .257 [6.53] | .120 [3.05] |
| | 15 | 1.202 [30.53] | .601 [15.27] | 1.312 [33.32] | .656 [16.66] | .513 [13.03] | | |
| | 25 | 1.744 [44.30] | .872 [22.15] | 1.852 [47.04] | .926 [23.52] | .513 [13.03] | | |
| | 37 | 2.392 [60.76] | 1.196 [30.38] | 2.500 [63.50] | 1.250 [31.75] | .513 [13.03] | | |
| Rear | 9 | .806 [20.47] | .403 [10.24] | .984 [24.99] | .492 [12.50] | .449 [11.40] | .225 [5.70] | .120 [3.05] |
| | 15 | 1.134 [28.80] | .567 [14.40] | 1.312 [33.32] | .656 [16.66] | .449 [11.40] | | |
| | 25 | 1.674 [42.52] | .837 [21.26] | 1.852 [47.04] | .926 [23.52] | .449 [11.40] | | |
| | 37 | 2.326 [59.08] | 1.163 [29.54] | 2.500 [63.50] | 1.250 [31.75] | .449 [11.40] | | |

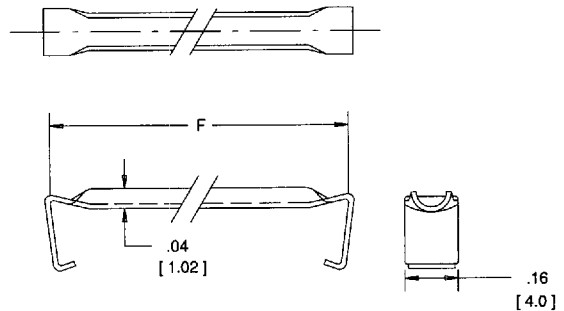
*Front Mount – The connector is mounted in front of the panel.
Rear Mount – The connector is mounted behind the panel.



Mounting Styles



Strain Relief (Order Separately or with Connector)



TS-0234-11

X-ON Electronics

Largest Supplier of Electrical and Electronic Components

Click to view similar products for [D-Sub Standard Connectors](#) category:

Click to view products by [3M](#) manufacturer:

Other Similar products are found below :

[DCM37S732N](#) [DAM15P500](#) [DEV09S364GTLF](#) [DEM09P032N](#) [DDM50P732N](#) [DAM15S332N](#) [173109-2218](#) [173109-2466](#) [173109-2436](#)
[173109-2435](#) [56F706-005-LI](#) [56F711-015](#) [015-0341-000](#) [015-0372-008](#) [015-8544-011](#) [017041-0005](#) [020419-0104](#) [012-0515-000](#) [012-9507-](#)
[034](#) [012-9507-114](#) [012-9534-001](#) [020745-0008](#) [609-25P](#) [M24308/2-23Z](#) [M243082310F](#) [M243082410F](#) [M243082411F](#) [M24308/4-21](#)
[CT1A18-11PSA206](#) [CT1N36-5SC](#) [CT2-16S-17PS](#) [CT2-20-15PCAU](#) [CT2-24-12PS](#) [CT2-24-28PSF127A206](#) [CT2-32-9PC](#) [CT6F9767-14-4-](#)
[14S-5PC](#) [CT6FA10SL-4PS](#) [CT7-18-10SC](#) [CT7-18-10SCAU](#) [CT7-18-12SCAU](#) [CT7-18-1PC](#) [CT7-18-1PCAU](#) [CT7-18-21SCAU](#) [M83513/01-](#)
[FC](#) [M83723/76W24619 L/C](#) [M85049/48-3-2F](#) [69001-865](#) [6STD09PCM99B70X](#) [6STD09SCM99B30X](#) [6STD09SCT99S40X](#)