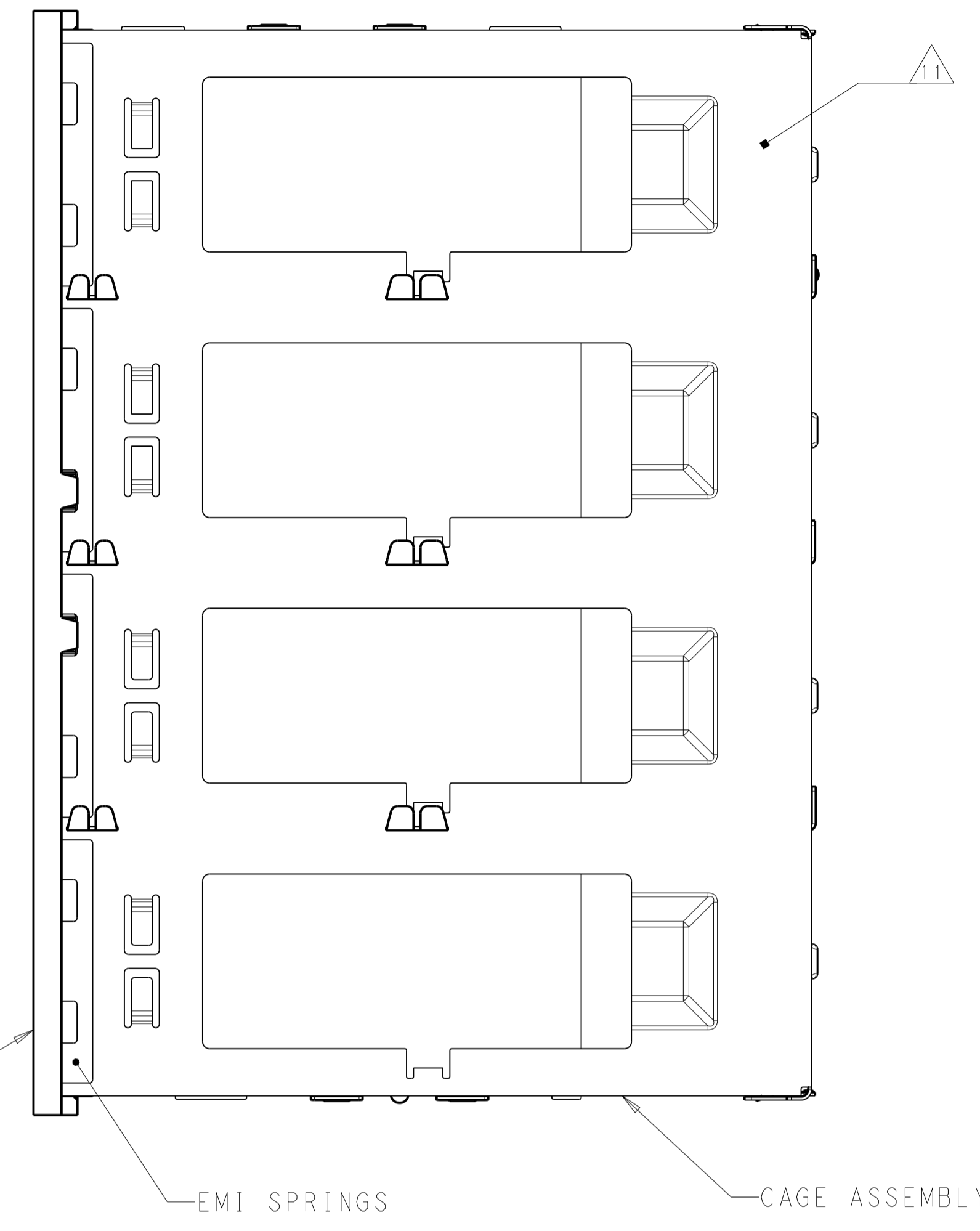
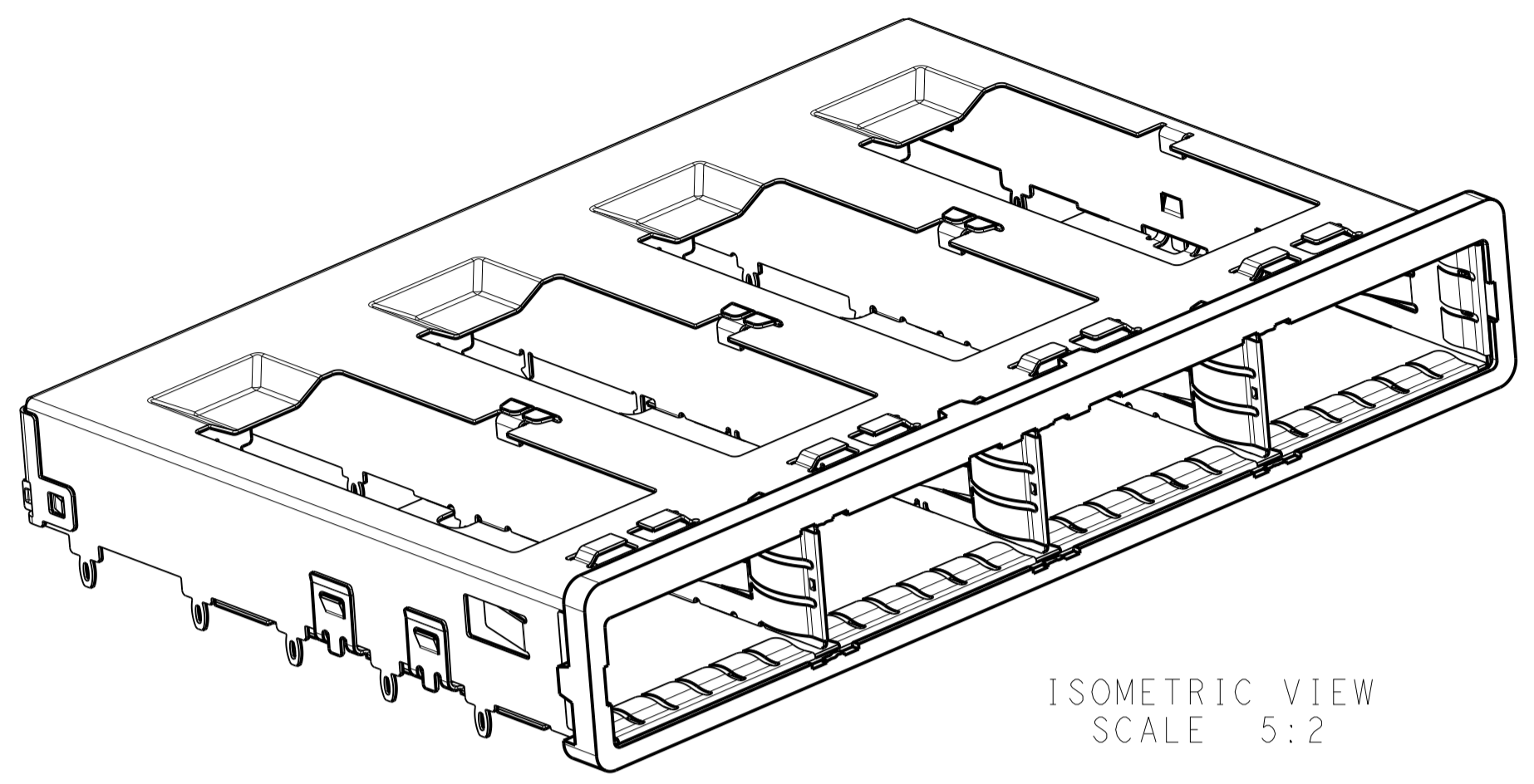
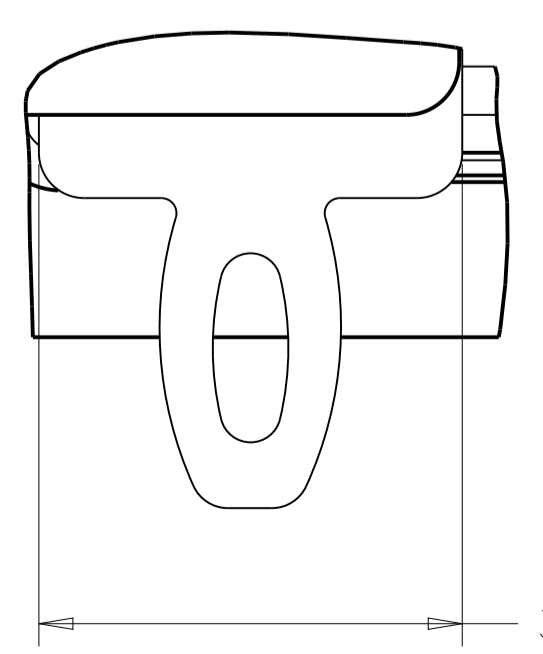
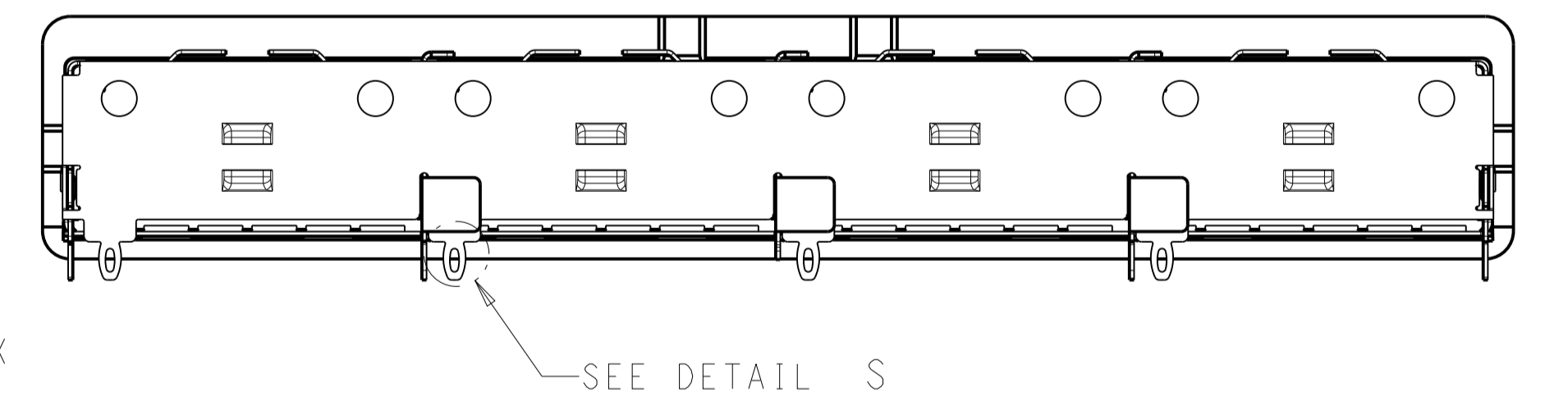
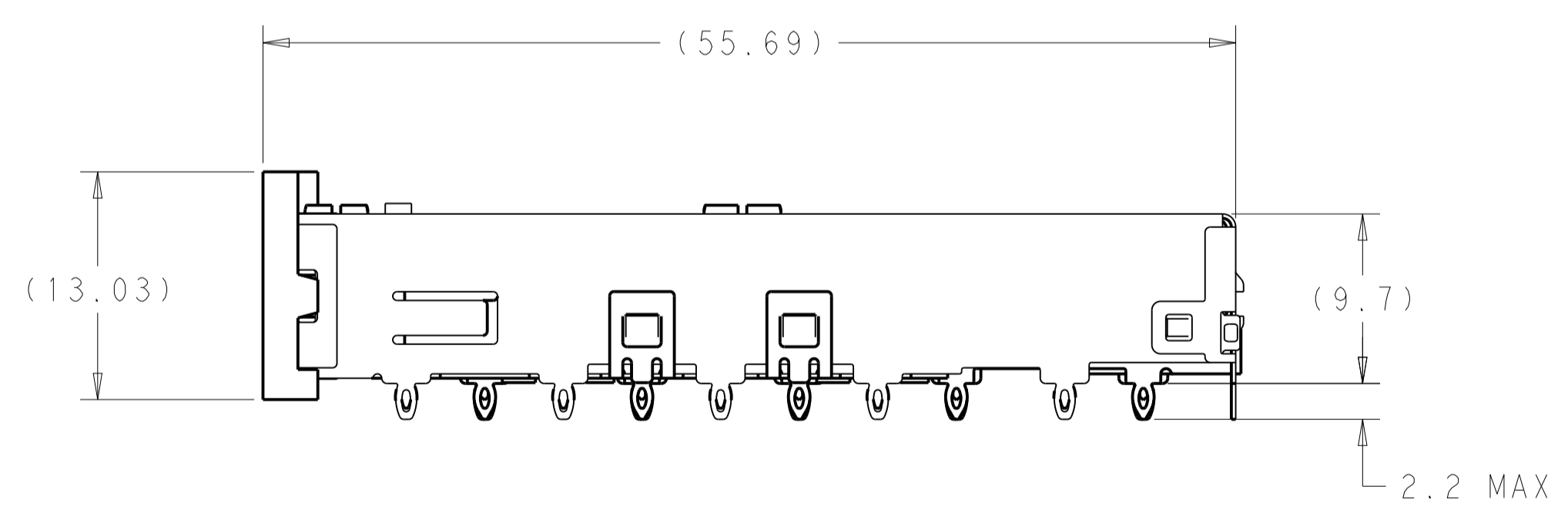
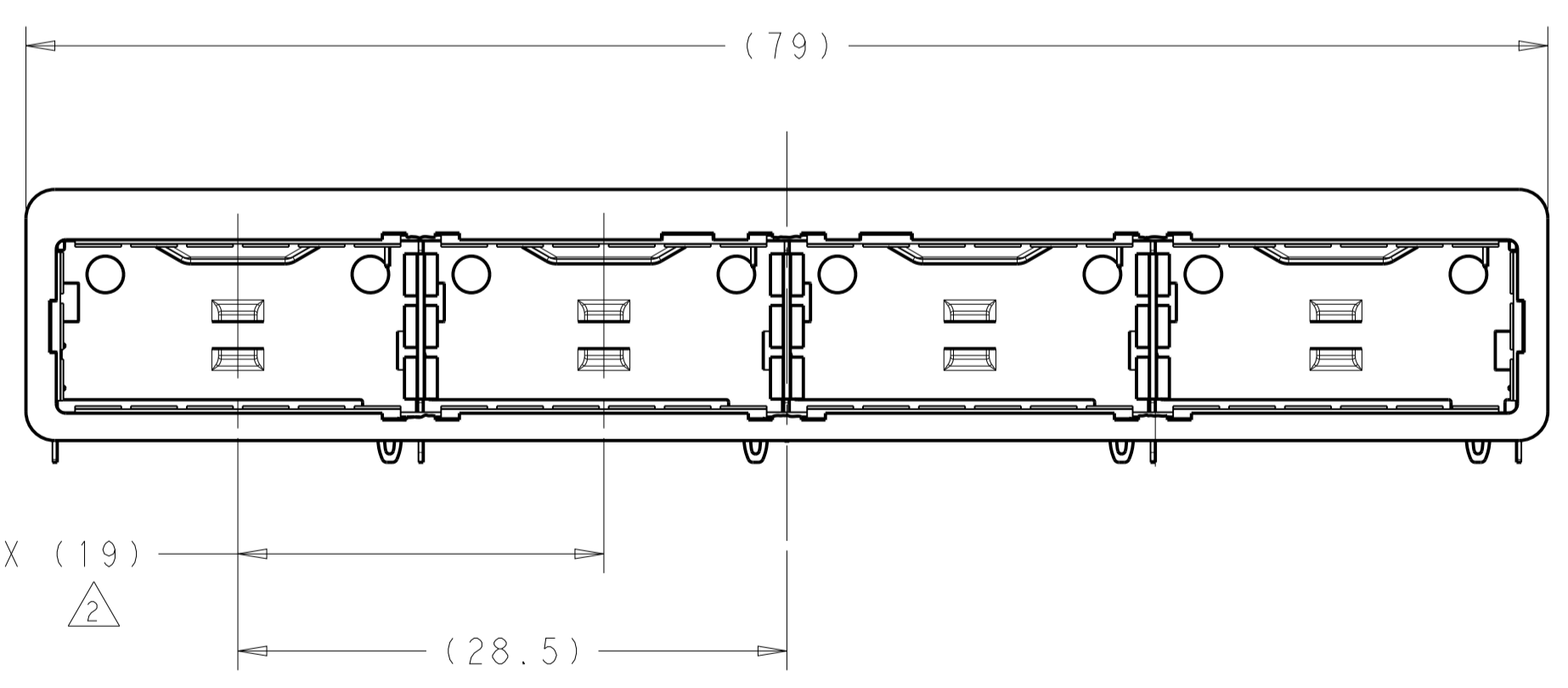


REVISIONS					
P.	LTN	DESCRIPTION	DATE	DMN	APVD
A		RELEASED	21MAY2014	CJV	EDB



- △1 SURFACE TRACES PERMITTED WITHIN THIS AREA EXCEPT WHERE CAGE STANDOFFS, SHOWN IN DETAIL S, CONTACT PC BOARD.
- △2 PITCH BETWEEN PORTS OF ONE 1X4 CAGE ASSEMBLY.
- △3 SPACING BETWEEN CAGES ON THE SAME PC BOARD, TO BE SPECIFIED BY CUSTOMER, MUST COMPLY WITH MINIMUM DIMENSIONS SHOWN.
- △4 REFERENCE APPLICATION SPEC 114-32023 FOR RECOMMENDED DRILL HOLE DIAMETER AND PLATING THICKNESS.
- △5 UNPLATED THRU HOLE.
- △6 DATUMS AND BASIC DIMENSIONS ESTABLISHED BY CUSTOMER.
- △7 DATUM A IS TOP SURFACE OF PC BOARD.
- △8 DIMENSION C IS THE NOMINAL THICKNESS OF CUSTOMER SUPPLIED PC BOARD.
MINIMUM PC BOARD THICKNESS:
SINGLE SIDED = 1.45mm
DOUBLE SIDED = 2.2mm
- △9 MATES WITH QSFP MSA COMPATIBLE TRANSCEIVER.
- △10 BASELINE FOR THESE DIMENSIONS IS THE CENTER OF COMPLIANT PIN HOLE.
- △11 DATE CODE (YYWWD) MARKED APPROXIMATELY AS SHOWN.
- △12 REFERENCE APP SPEC 114-32023 FOR GASKET THICKNESS CALCULATION.
- △13 MATERIAL:
CAGE ASSEMBLY: NICKEL SILVER, 0.25 THICK
EMI SPRINGS: COPPER ALLOY
FRONT FLANGE: ZINC ALLOY
- △14 FINISH:
EMI SPRINGS: 2µm MINIMUM TIN
FRONT FLANGE: 3µm MINIMUM TIN OVER 1.27µm MINIMUM NICKEL OVER 5.08µm MINIMUM COPPER.

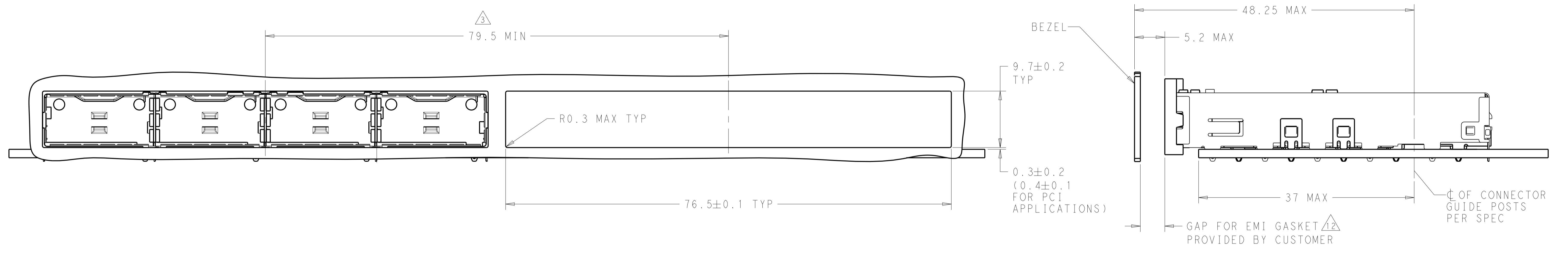


△1
DETAIL S
SCALE 20:1

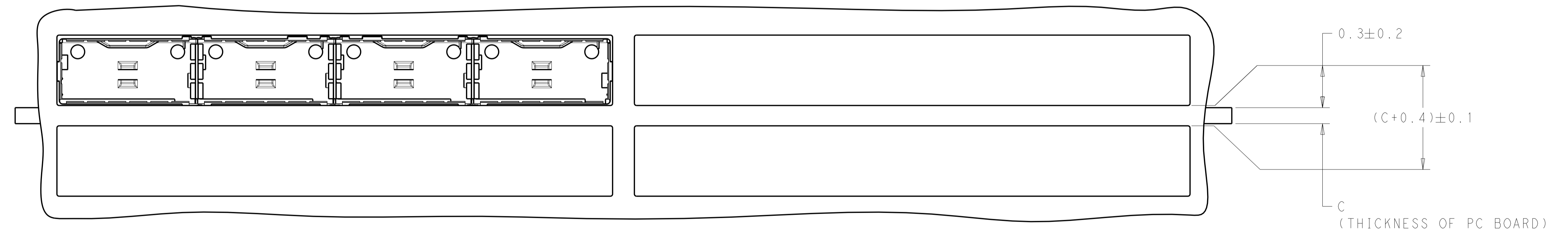
2227250-1
PART NUMBER

THIS DRAWING IS A CONTROLLED DOCUMENT.		DMN C. VALENTIN 20MAY2014	TE Connectivity	
DIMENSIONS:		CHK E. BRIANT 20MAY2014	NAME CAGE ASSEMBLY, BEHIND BEZEL, 1X4, QSFP28	
TOLERANCES UNLESS OTHERWISE SPECIFIED:		APVD E. BRIANT 20MAY2014	PRODUCT SPEC 108-19428	
mm			APPLICATION SPEC 114-32023	
0 PLC ±0.1 1 PLC ±0.1 2 PLC ±0.1 3 PLC ±0.1 4 PLC ±0.1 ANGLES ±0.1			RESTRICTED TO	
MATERIAL		WEIGHT	SIZE A1	SCALE 3:1
FINISH			C=2227250	SHEET 1 OF 4
CUSTOMER DRAWING				REV A

REVISIONS				
P.	LTN	DESCRIPTION	DATE	OWN APVD
-	-	SEE SHEET 1	-	-



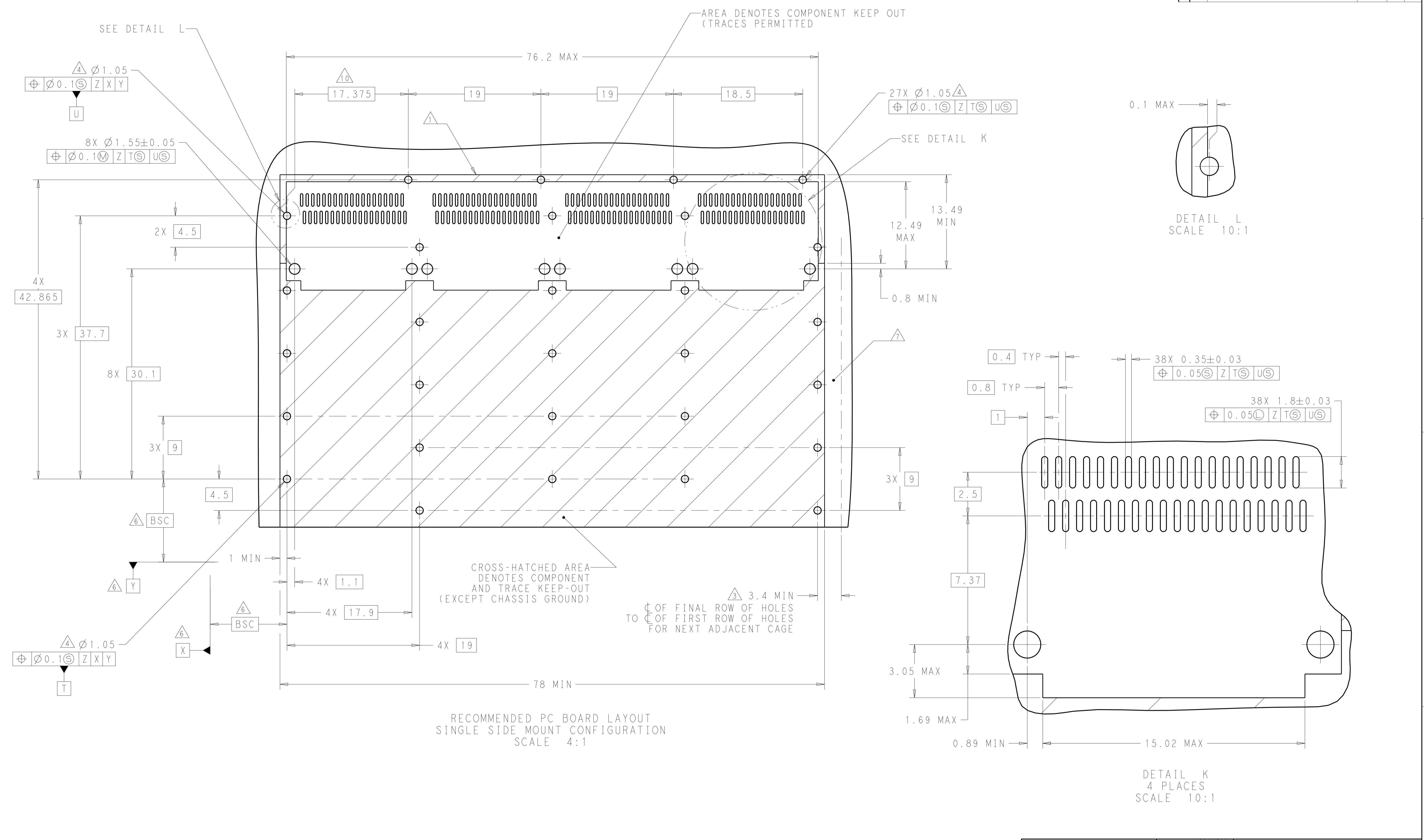
ONE SIDED CONFIGURATION



BELLY TO BELLY CONFIGURATION
 SIMILAR TO NOE SIDED
 EXCEPT WHERE NOTED

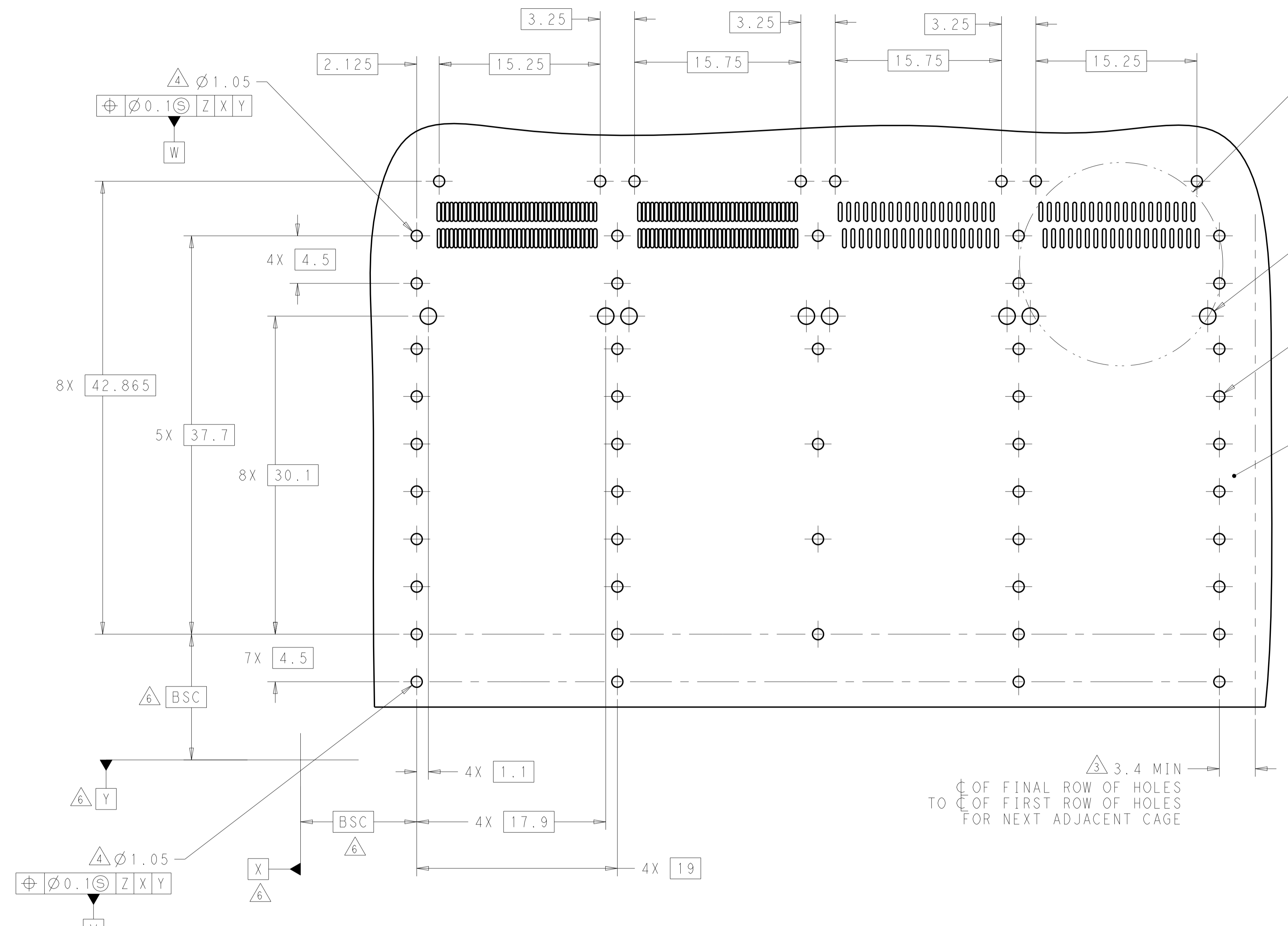
THIS DRAWING IS A CONTROLLED DOCUMENT.		OWN C. VALENTIN 20MAY2014	TE Connectivity
DIMENSIONS:		CHK E. BRIANT 20MAY2014	
mm	TOLERANCES UNLESS OTHERWISE SPECIFIED:	APVD E. BRIANT 20MAY2014	NAME CAGE ASSEMBLY, BEHIND BEZEL, 1X4, QSFP28
	0 PLC ±0.1 1 PLC ±0.1 2 PLC ±0.1 3 PLC ±0.1 4 PLC ±0.1 ANGLES ±0.1	PRODUCT SPEC 108-19428 APPLICATION SPEC 114-32023	SIZE A1
MATERIAL	FINISH	WEIGHT -	RESTRICTED TO C=2227250
CUSTOMER DRAWING		SCALE 3:1	SHEET 2 OF 4
		REV A	

REVISIONS				
REV	DATE	BY	APP'D	DESCRIPTION
-	-	-	-	SEE SHEET 1

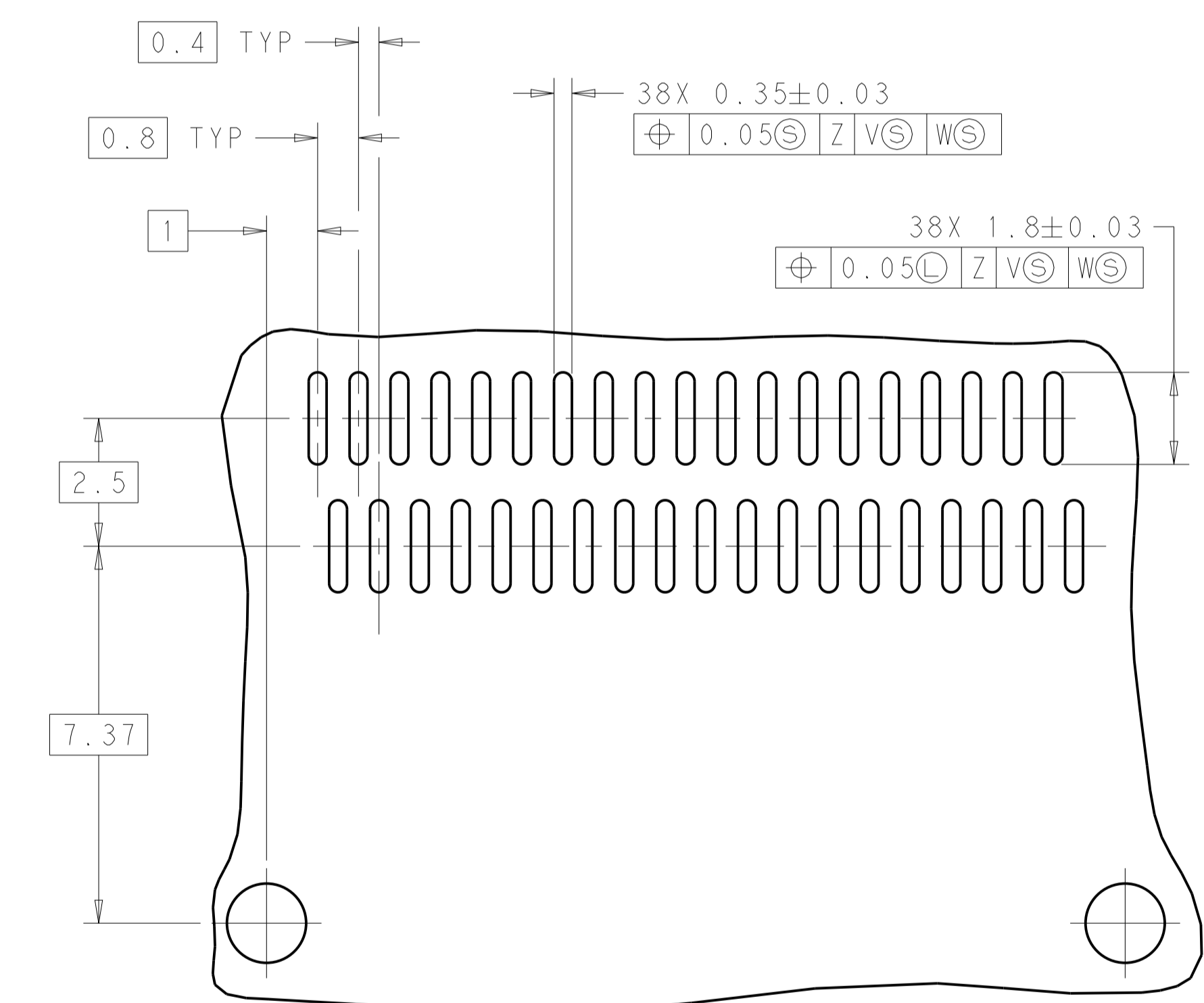


THIS DRAWING IS A CONTROLLED DOCUMENT.		OWN C. VALENTIN 20MAY2014	 TE Connectivity												
DIMENSIONS: mm		CHK E. BRIANT 20MAY2014													
TOLERANCES UNLESS OTHERWISE SPECIFIED:		APVD E. BRIANT 20MAY2014	NAME CAGE ASSEMBLY, BEHIND BEZEL, 1X4, QSFP28												
<table border="1"> <tr><td>0 PLC</td><td>± 0.1</td></tr> <tr><td>1 PLC</td><td>± 0.1</td></tr> <tr><td>2 PLC</td><td>± 0.1</td></tr> <tr><td>3 PLC</td><td>± 0.1</td></tr> <tr><td>4 PLC</td><td>± 0.1</td></tr> <tr><td>ANGLES</td><td>± 0.1</td></tr> </table>		0 PLC	± 0.1	1 PLC	± 0.1	2 PLC	± 0.1	3 PLC	± 0.1	4 PLC	± 0.1	ANGLES	± 0.1	PRODUCT SPEC 108-19428	RESTRICTED TO
0 PLC	± 0.1														
1 PLC	± 0.1														
2 PLC	± 0.1														
3 PLC	± 0.1														
4 PLC	± 0.1														
ANGLES	± 0.1														
MATERIAL FINISH		APPLICATION SPEC 114-32023	SIZE A1												
		WEIGHT	SCALE 3:1												
		CUSTOMER DRAWING	SHEET 3 OF 4												
			REV A												

REVISIONS				
REV	DATE	DESCRIPTION	BY	APP'D
-	-	SEE SHEET 1	-	-



RECOMMENDED PC BOARD LAYOUT
 BELLY TO BELLY CONFIGURATION
 SCALE 4:1



DETAIL M
 4 PLACES
 SCALE 10:1

THIS DRAWING IS A CONTROLLED DOCUMENT.		OWN: C. VALENTIN, ZOMAY2014	TE Connectivity
DIMENSIONS: mm		CHK: E. BRIANT, ZOMAY2014	
TOLERANCES UNLESS OTHERWISE SPECIFIED:		APVD: F. BRIANT, ZOMAY2014	NAME: CAGE ASSEMBLY, BEHIND BEZEL, 1X4, QSF28
0 PLC ± 0.1	1 PLC ± 0.1	PRODUCT SPEC: 108-19428	SIZE: A1
2 PLC ± 0.1	3 PLC ± 0.1	APPLICATION SPEC: 114-32023	SCALE: 3:1
4 PLC ± 0.1	ANGLES ± 0.1	WEIGHT: -	SHEET: 4 OF 4
MATERIAL: -	FINISH: -	CUSTOMER DRAWING	REV: A

X-ON Electronics

Largest Supplier of Electrical and Electronic Components

Click to view similar products for [I/O Connectors](#) category:

Click to view products by [TE CONNECTIVITY](#) manufacturer:

Other Similar products are found below :

[571763P](#) [58098-0628](#) [61-168618-12P](#) [D38999/20FJ24PA L/C](#) [D38999/20FJ29SB L/C](#) [D38999/24FG11SN L/C](#) [72.250.1628.2](#) [72.250.2428.2](#)
[74720-0505](#) [747680210](#) [76.350.0729.0](#) [76871-1403](#) [FCN-244F080-G/1](#) [FCN-260A9920](#) [FCN-268D024-G/2F#10X-R10](#) [MP-5T180MUNNA-005](#) [MP-5XRJ45UNNB-003](#) [PCS-E50FA](#) [PCS-XE26LKA](#) [PCS-XE26MA+](#) [PCS-XES68MS+](#) [G38A71314B](#) [91-569719-35R](#) [9776-18-6](#)
[DX40-50P\(55\)](#) [1571250010](#) [157-22500-3](#) [MS3471L14-19P L/C](#) [MS3476W12-10S L/C](#) [171224-6031](#) [1888020-8](#) [91-569786-35H](#) [91-569786-35M](#) [91-644626-35P](#) [172501-4002](#) [172501-6002](#) [FCN-260C008-A/L0](#) [FCN-260C024-AL0](#) [FCN-261Z008](#) [FCN-268D008-G/1K](#) [2000314-1](#)
[200331-1](#) [2007498-2](#) [PCR-E28LMDAG1+](#) [PCR-E36FC+](#) [PCS-E28FS+](#) [PCS-XE26SLFD+](#) [PCS-XE26SLFDT+](#) [G38A71214B](#) [HDRA-E68W1LFDTC-SL+](#)