

CMKSH2-4LR

**SURFACE MOUNT  
TRIPLE ISOLATED SILICON  
LOW  $V_F$  SCHOTTKY DIODES**



[www.centrasemi.com](http://www.centrasemi.com)

ULTRAm<sup>ini</sup><sup>™</sup>



**SOT-363 CASE**

**DESCRIPTION:**

The CENTRAL SEMICONDUCTOR CMKSH2-4LR contains three (3) Isolated Silicon Low  $V_F$  Schottky Diodes, epoxy molded in a SOT-363 surface mount package. This ULTRAm<sup>ini</sup><sup>™</sup> device has been designed for switching applications requiring a low forward voltage drop.

**MARKING CODE: CHTL**

**MAXIMUM RATINGS:** ( $T_A=25^\circ\text{C}$ )

|   |
|---|
| Peak Repetitive Reverse Voltage               |
| Continuous Forward Current                    |
| Peak Repetitive Forward Current               |
| Peak Forward Surge Current, $t_p=10\text{ms}$ |
| Power Dissipation                             |
| Operating and Storage Junction Temperature    |
| Thermal Resistance                            |

**SYMBOL**

|                |             |
|----------------|-------------|
| $V_{RRM}$      | 40          |
| $I_F$          | 200         |
| $I_{FRM}$      | 350         |
| $I_{FSM}$      | 1.0         |
| $P_D$          | 350         |
| $T_J, T_{stg}$ | -65 to +150 |
| $\Theta_{JA}$  | 357         |

**UNITS**

|                    |
|--------------------|
| V                  |
| mA                 |
| mA                 |
| A                  |
| mW                 |
| $^\circ\text{C}$   |
| $^\circ\text{C/W}$ |

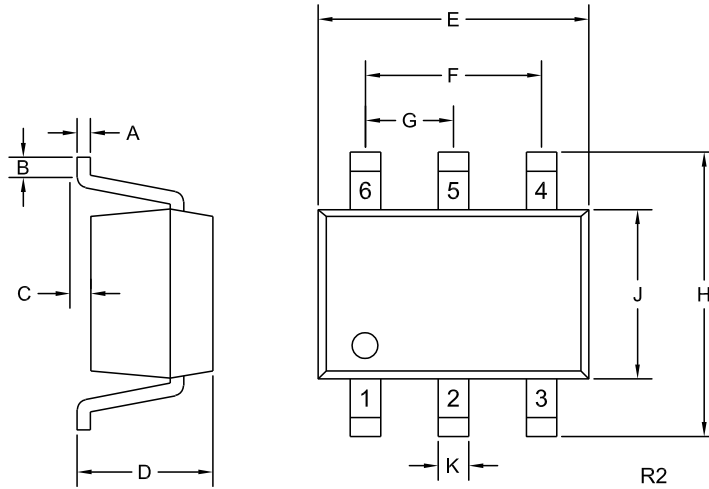
**ELECTRICAL CHARACTERISTICS PER DIODE:** ( $T_A=25^\circ\text{C}$  unless otherwise noted)

| SYMBOL   | TEST CONDITIONS   | MIN | TYP  | MAX   | UNITS         |
|----------|---|-----|------|-------|---------------|
| $I_R$    | $V_R=20\text{V}$  |     | 11   | 50    | $\mu\text{A}$ |
| $BV_R$   | $I_R=100\mu\text{A}$                                      | 40  | 53   |       | V             |
| $V_F$    | $I_F=10\text{mA}$   |     | 0.24 | 0.325 | V             |
| $V_F$    | $I_F=100\text{mA}$  |     | 0.35 | 0.40  | V             |
| $V_F$    | $I_F=200\text{mA}$  |     | 0.42 | 0.50  | V             |
| $C_T$    | $V_R=4.0\text{V}, f=1.0\text{MHz}$                        |     | 8.5  | 10    | pF            |
| $t_{rr}$ | $I_F=I_R=10\text{mA}, I_{rr}=1.0\text{mA}, R_L=100\Omega$ |     | 4.0  | 5.0   | ns            |

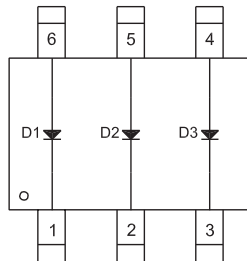
**CMKSH2-4LR**  
**SURFACE MOUNT**  
**TRIPLE ISOLATED SILICON**  
**LOW  $V_F$  SCHOTTKY DIODES**



**SOT-363 CASE - MECHANICAL OUTLINE**



**PIN CONFIGURATION**



**LEAD CODE:**

- 1) Cathode D1
- 2) Cathode D2
- 3) Cathode D3
- 4) Anode D3
- 5) Anode D2
- 6) Anode D1

**MARKING CODE: CHTL**

| SYMBOL | INCHES |       | MILLIMETERS |      |
|--------|--------|-------|-------------|------|
|        | MIN    | MAX   | MIN         | MAX  |
| A      | 0.004  | 0.010 | 0.10        | 0.25 |
| B      | 0.005  | -     | 0.12        | -    |
| C      | 0.000  | 0.004 | 0.00        | 0.10 |
| D      | 0.031  | 0.043 | 0.80        | 1.10 |
| E      | 0.071  | 0.087 | 1.80        | 2.20 |
| F      | 0.051  |       | 1.30        |      |
| G      | 0.026  |       | 0.65        |      |
| H      | 0.075  | 0.091 | 1.90        | 2.30 |
| J      | 0.043  | 0.055 | 1.10        | 1.40 |
| K      | 0.006  | 0.012 | 0.15        | 0.30 |

SOT-363 (REV: R2)

R3 (13-August 2010)

## X-ON Electronics

Largest Supplier of Electrical and Electronic Components

*Click to view similar products for [Schottky Diodes & Rectifiers](#) category:*

*Click to view products by [Central Semiconductor](#) manufacturer:*

Other Similar products are found below :

[CUS06\(Te85L,Q,M\)](#) [MA4E2039](#) [D1FH3-5063](#) [MBR0530L-TP](#) [MBR10100CT-BP](#) [MBR30H100MFST1G](#) [MMBD301M3T5G](#) [PMAD1103-LF](#) [PMAD1108-LF](#) [RB160M-50TR](#) [RB520S-30](#) [RB551V-30](#) [DD350N18K](#) [DZ435N40K](#) [DZ600N16K](#) [BAS16E6433HTMA1](#) [BAS 3010S-02LRH E6327](#) [BAT 54-02LRH E6327](#) [IDL02G65C5XUMA1](#) [NSR05F40QNXT5G](#) [NSVR05F40NXT5G](#) [JANS1N6640](#) [SB07-03C-TB-H](#) [SB1003M3-TL-W](#) [SBAT54CWT1G](#) [SBM30-03-TR-E](#) [SBS818-TL-E](#) [SK32A-LTP](#) [SK33A-TP](#) [SK34A-TP](#) [SK34B-TP](#) [SMD1200PL-TP](#) [ACDBN160-HF](#) [SS3003CH-TL-E](#) [STPS30S45CW](#) [PDS3100Q-7](#) [GA01SHT18](#) [CRS10I30A\(Te85L,QM\)](#) [MBR1240MFST1G](#) [MBRB30H30CT-1G](#) [BAS28E6433HTMA1](#) [BAS 70-02L E6327](#) [HSB123JTR-E](#) [JANTX1N5712-1](#) [VS-STPS40L45CW-N3](#) [DD350N12K](#) [SB007-03C-TB-E](#) [SB10015M-TL-E](#) [SB1003M3-TL-E](#) [SK110-LTP](#)